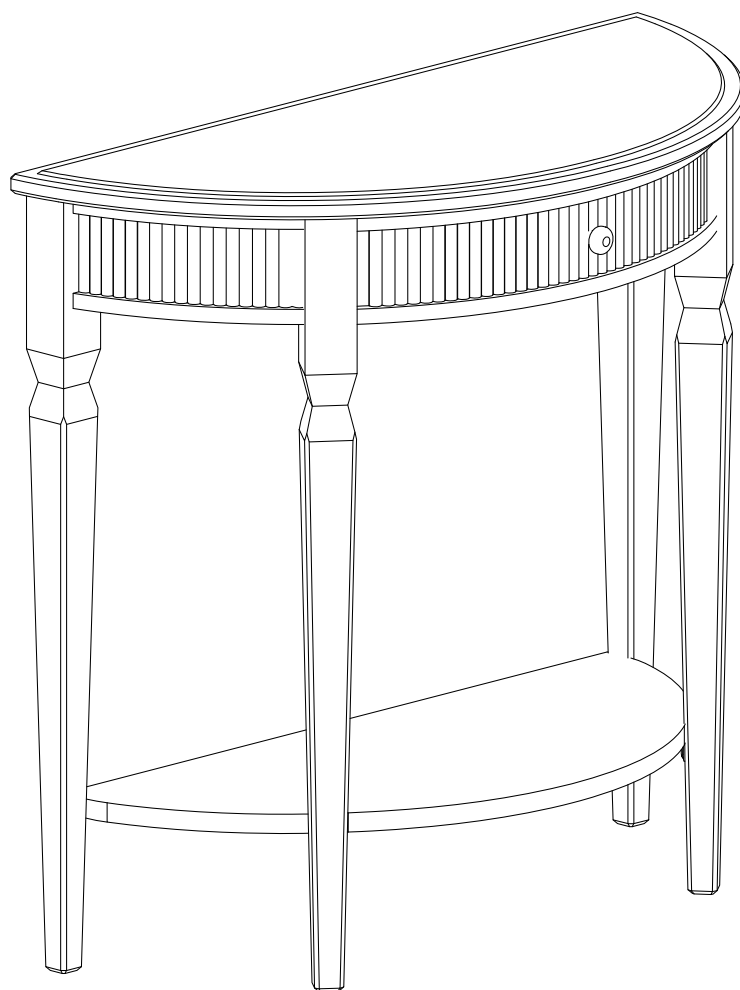


# *Barcombe*

## CONSOLE TABLE



# LAURA ASHLEY

SINCE 1953

[lauraashley.com](http://lauraashley.com)

Manufactured under licence by NEXT plc.

# BEFORE YOU START

## Do

- We suggest you spend a short time reading through this leaflet before you start.
- When you are ready to start, make sure that you have the right tools and plenty of space.
- Unwrap all packaging materials and place the components on a clean surface to protect it from damage.
- We recommend that the packaging is used to protect the surfaces during assembly.
- Carefully check that you have all the parts before beginning assembly.
- Due to the size of the product we recommend that it is assembled in the room intended for use.
- Ensure the product is fully assembled as illustrated and all fixings fully tightened before use.
- Wipe occasionally with a soft cloth slightly dampened with water. Then buff with a dry clean soft cloth.
- Wood will mellow and change colour over time, we recommend that ornaments and items placed on the surface are moved regularly for the first few months to prevent uneven mellowing.

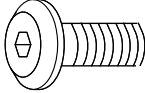
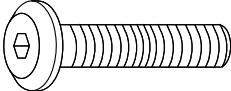
## Do Not

- Do not drag or pull your furniture.
- Do not use silicone based furniture polish. Silicone in furniture polishes can break down the finish.
- Never allow any kind of liquid to remain on your furniture. Absorption can cause wood to warp or finishes to delaminate.
- Do not place hot items (e.g. hot drinks) directly on to the wood surface.
- Please make sure you use a placement or coaster.

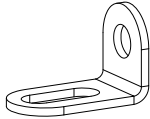

## Warnings

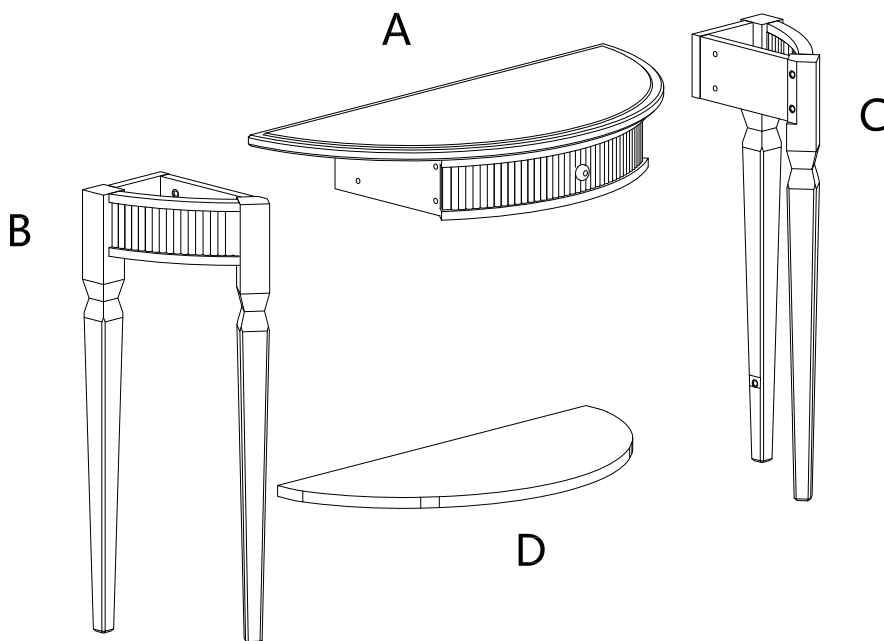
- We suggest you retain these instructions for future reference.
- Keep fittings out of children's reach and keep children well away from the construction area.
- This product should only be used on firm, level ground.
- Please periodically check all fittings and re-tighten as necessary.
- Please do not sit or stand on your furniture.
- Avoid exposing the furniture to excessive heat or direct sunlight as this can cause deterioration of the colour.
- Unwrap all packaging materials and place the components on top of the carton box or on a clean floor to protect it from damage.

## PARTS LIST

<b>Fixtures and Fittings Supplied</b>				
<b>Ref</b>	<b>Dimensions</b>	<b>Qty.</b>	<b>Spare Qty.</b>	<b>Image</b>
H1	M6 x 15mm	8		
H2	M6 x 30mm	8		

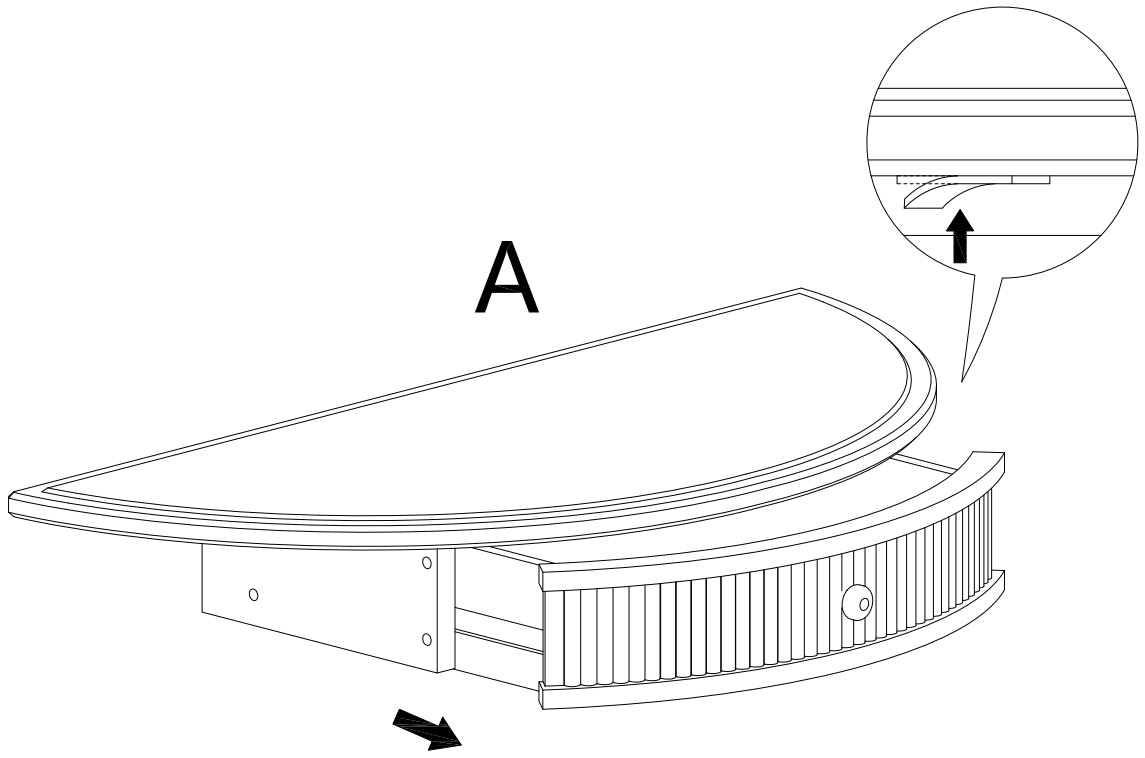
## FITTINGS LIST

<b>Fixtures and Fittings Supplier (Not To Scale)</b>			
<b>Ref</b>	<b>Qty.</b>	<b>Spare Qty.</b>	<b>Image</b>
H3	4	N/A	
H4	1	N/A	

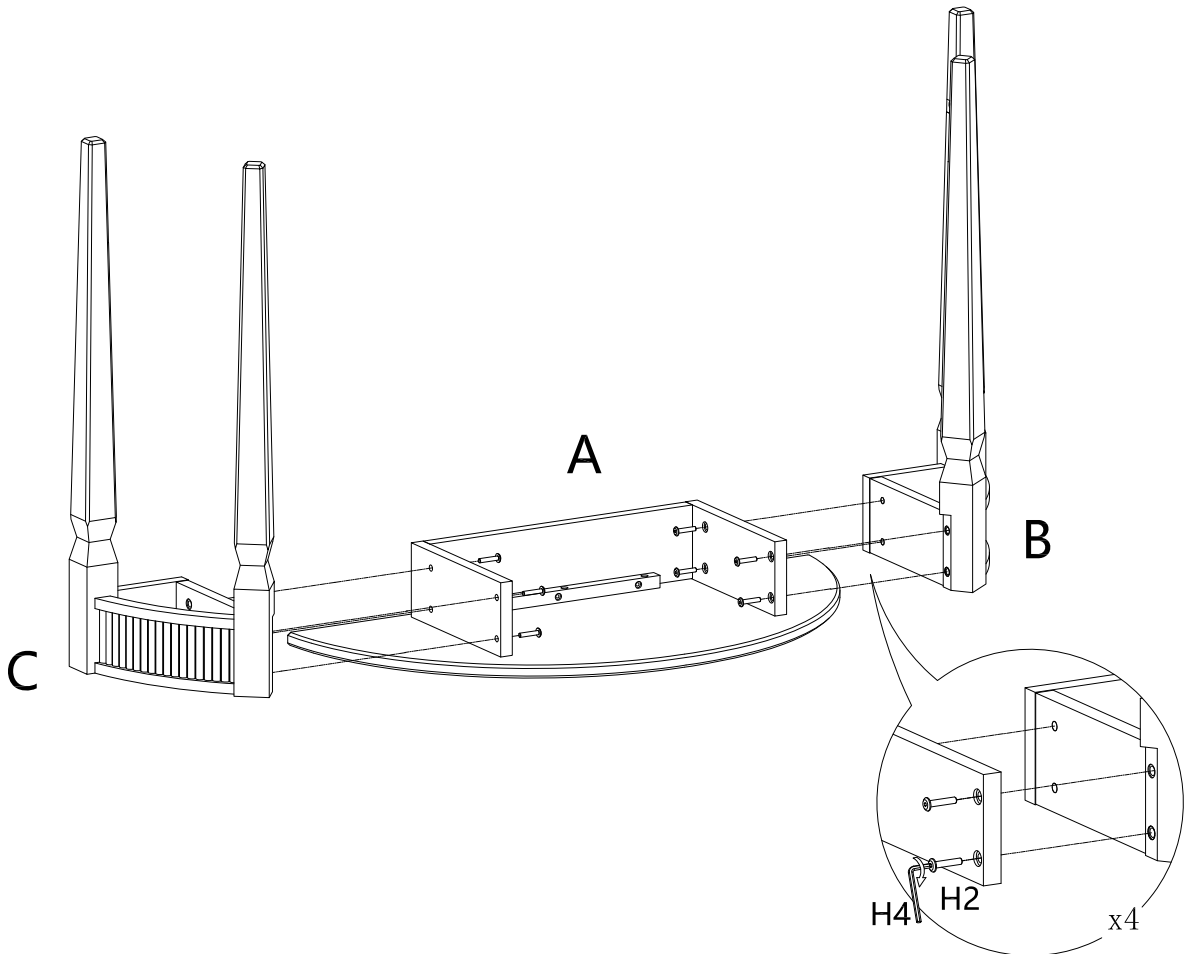


**LAURA ASHLEY**  
SINCE 1953

1



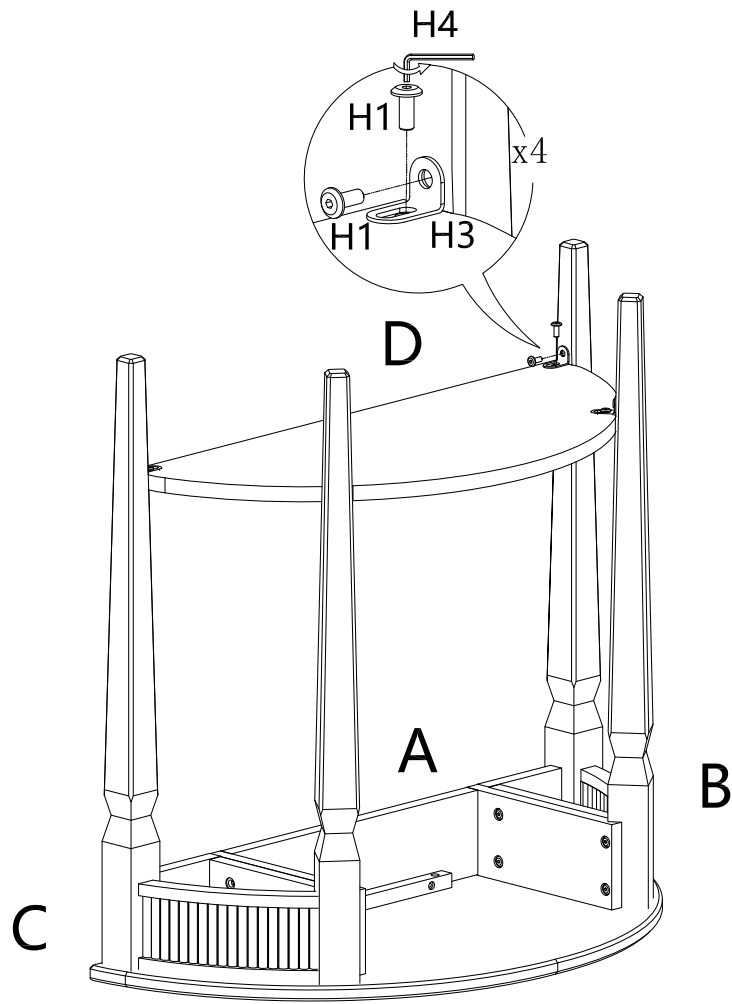
2



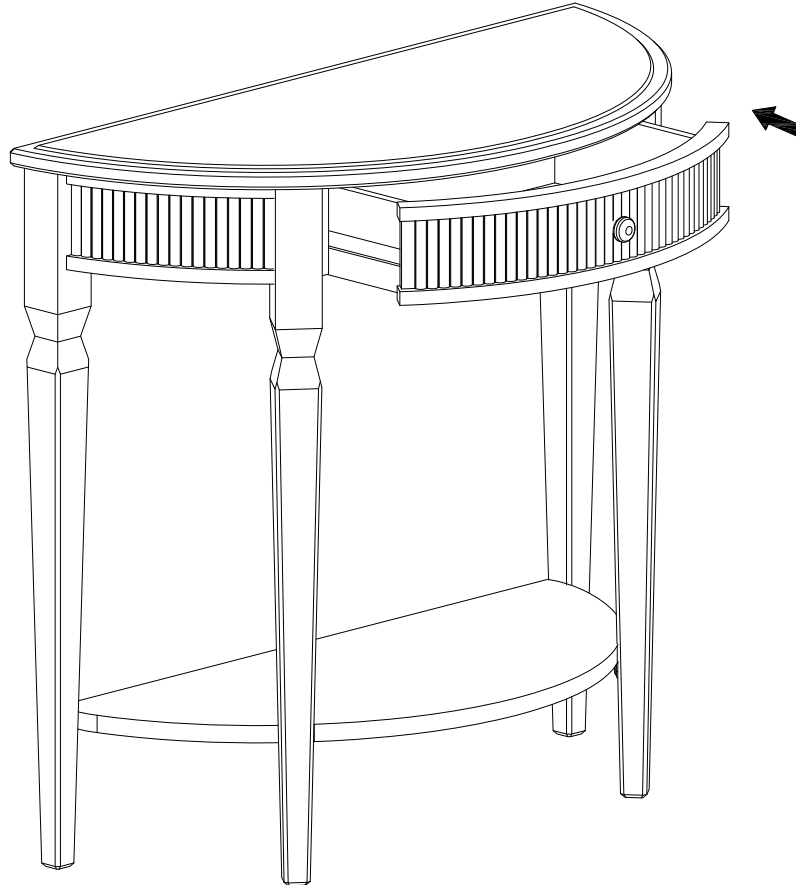
LAURA ASHLEY  
SINCE 1953

[lauraashley.com](http://lauraashley.com)

# 3



# 4

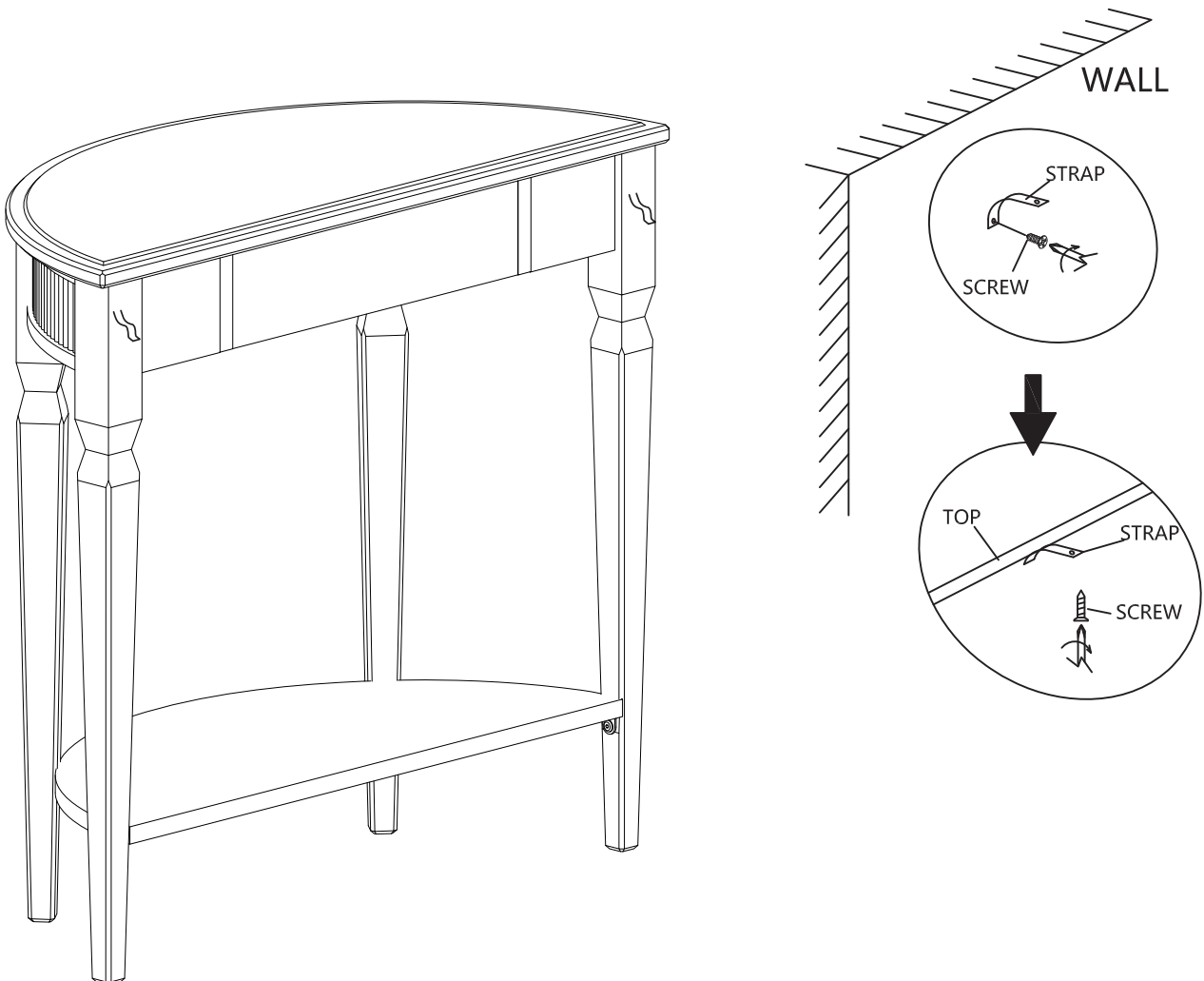


LAURA ASHLEY  
SINCE 1953

[lauraashley.com](http://lauraashley.com)

## WARNING CONSOLE TABLEN

- We recommend the use of the wall attachment bracket/strap provided for safety reasons.
- Installation shall be carried out exactly according to the manufacturer's instructions.
- The wall strap is only intended to be used with the product that it is supplied with.
- Never attempt to modify or change the wall attachment strap in any way.
- Never use any other fittings for attaching the strap to your furniture than those supplied.
- Secure the other end of the strap to the wall with an appropriate screw and wall plug for your wall type (not provided).
- Warning: Always ensure intended wall area to be drilled is free from hidden electrical wire, water and gas pipes.
- If in doubt please consult a qualified trades person.

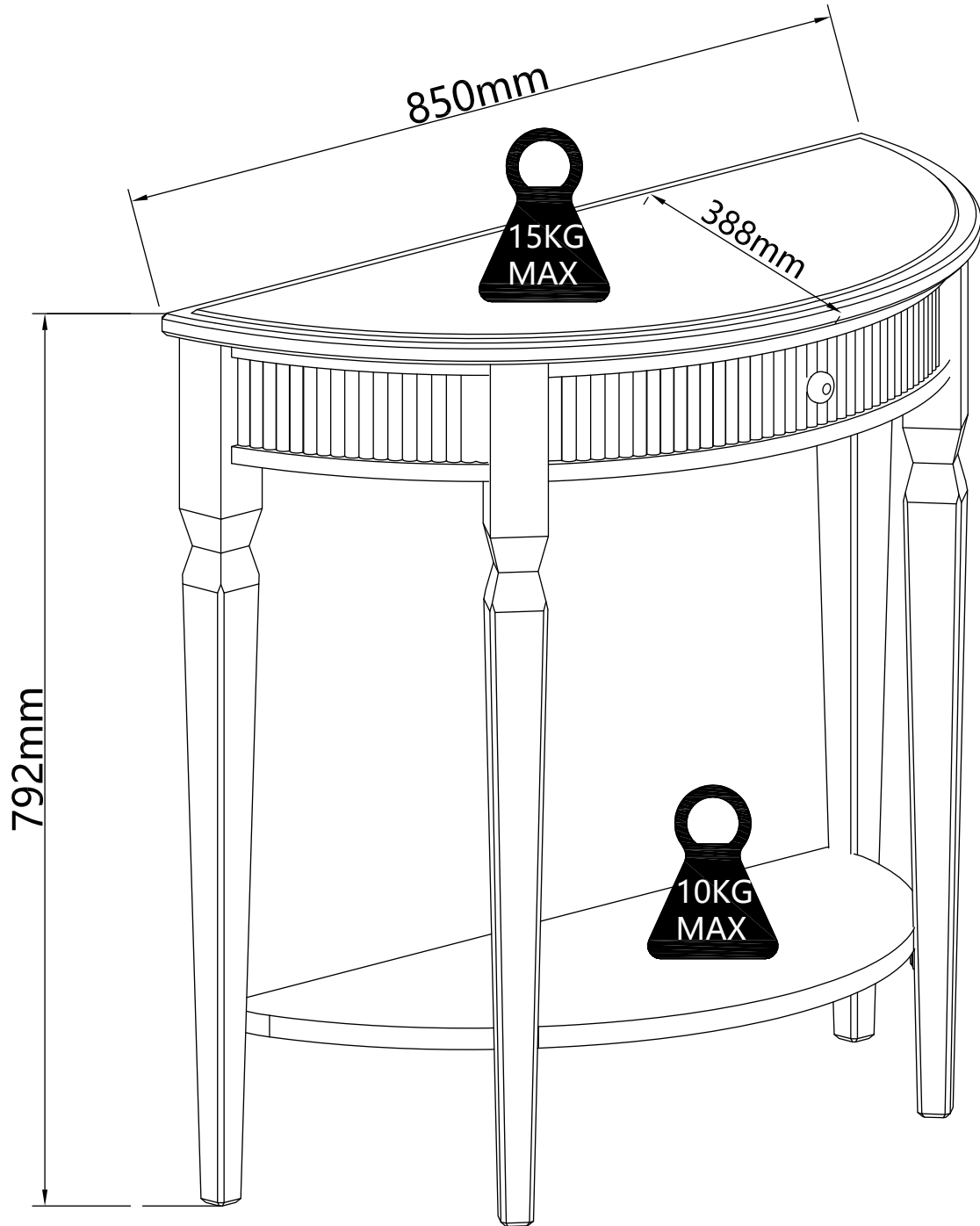


LAURA ASHLEY  
SINCE 1953

[lauraashley.com](http://lauraashley.com)

# Barcombe

## CONSOLE TABLEN



Check regularly that all assembly fastenings are properly tightened and re-tighten when necessary.

LAURA ASHLEY  
SINCE 1953

[lauraashley.com](http://lauraashley.com)