

HADEN



Dorchester 4 slice Toaster Instruction Manual



PRODUCT CODE: 201287, 201317, 204866

HADEN

How Can We Help?

The Haden team is always interested in what you have to say, so why not get in touch?



Call us
01909 544 570



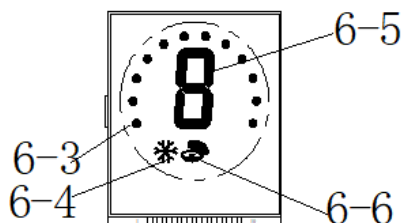
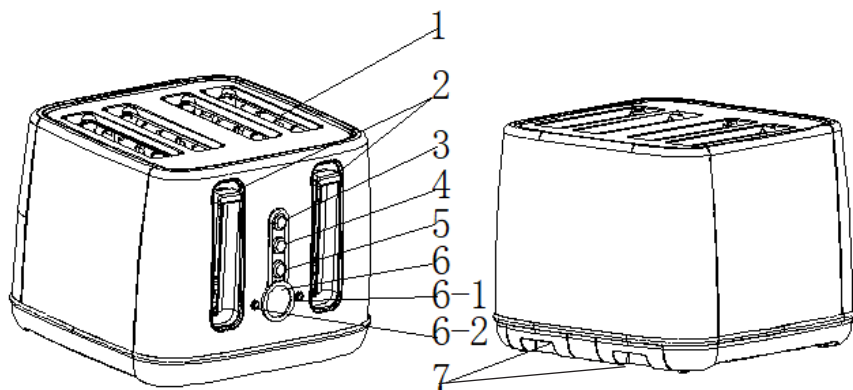
Email us
info@haden.com



Write to us
Team Haden, Sabichi Homewares Ltd
Priorswell Rd, Worksop, S80 2BY

Visit us
www.haden.com

Components



- | | |
|---|-------------------------------------|
| 1. Toasting Slots | 6-1. Browning Control '-' |
| 2. Carriage Control Lever | 6-2. Browning Control '+' |
| 3. Cancel Button | 6-3. Browning dots |
| 4. Defrost Button | 6-4. Defrost Icon |
| 5. Reheat Button | 6-5. Browning Setting number |
| 6. Electronic Browning Control Panel | 6-6. Reheat Icon |
| | 7. Crumb trays |

Important Safeguards

When using electrical appliances, basic safety precautions should always be followed, including the following:

- Read all instructions, and save it for future reference.
- Before using, check that the voltage of wall outlet corresponds to that shown on the rating plate of the toaster.
- This toast is not intended for use by persons (including children) with reduced physical, sensory, or mental capabilities, or lack of experience and knowledge, unless they are closely supervised and instructed concerning use of the toast by a person responsible for their safety.
- Close supervision is necessary when any toast is used by or near children. Children should be supervised to ensure that they do not play with the appliance.
- This appliance can be used by children aged from 8 years and above if they have been given supervision or instruction concerning use of the appliance in a safe way and if they understand the hazards involved. Cleaning and user maintenance shall not be made by children unless they are older than 8 and supervised. Keep the appliance and its cord out of reach of children aged less than 8 years old.
- Do not operate unattended.
- Do not attempt to dislodge food when toaster is plugged in.
- To protect against electrical shock, do not immerse cord, plug, or toaster in water or other liquid.
- Unplug from outlet when not in use and before cleaning. Allow to cool before putting on or taking off parts, or moving toaster.
- Do not operate any toast with a damaged supply cord or plug, or after the toast malfunctions or has been dropped or damaged in any manner. Supply cord replacement and repairs must be conducted by the manufacturer, its service agent, or similarly qualified persons in order to avoid a hazard.
- Oversized foods, metal foil packages, or utensils must not be inserted in a toaster as they may involve a risk of fire or electric shock.

- To remove food that is lodged in slots, unplug and allow to cool. Turn upside down and shake. Do not insert any utensils.
- A fire may occur if toaster is covered or touching flammable material, including curtains, draperies, walls, overhead cabinets, paper or plastic products, cloth towels, and the like, when in operation.
- Do not place on or near a hot gas or electric burner or in a heated oven.
- Do not touch hot surfaces. Use handles or knobs.
- The use of accessory attachments not recommended by the toast manufacturer may cause injuries.
- Do not let cord hang over edge of table or counter or touch hot surfaces, including the stove.
- Before unplugging toaster, make sure bread lifter is in “up” position.
- Do not use outdoors.
- Do not use toaster for other than intended use.
- To avoid an electrical circuit overload, do not use another high-wattage appliances on the same circuit with this toaster.
- CAUTION: HOT SURFACE. The temperature of accessible surfaces may be high when the toast is operating.
- Warning: if toasting small bread slices less than 85mm length, you must pay attention to the potential risk of burning when taking out the slices.
- Do not use with food that has been spread with butter, jelly, frosting, etc.
- Do not use with rice cakes, fried foods, frozen prepared foods, or non bread items.
- Do not use with toaster pastries. Always cook toaster pastries in a toaster oven.
- Do not over or use near curtains, walls, cabinets, paper or plastic products, cloth towels, etc.
- Do not operate toaster in an enclosed space, such as an toast cabinet, caddy, garage, or other storage area.
- To reduce the risk of fire, clean crumb trays regularly.

This toast is intended for household use only.

- The length of the cord used on this toast was selected to reduce the hazards of becoming tangled in or tripping over a longer cord. If a longer cord is necessary, an approved extension cord may be used. The electrical rating of the extension cord must be equal to or greater than the rating of the appliance. Care must be taken to arrange the extension cord so that it will not drape over the counter top or tabletop where it can be pulled on by children or accidentally tripped over.
- This toast is not intended to be operated by means of an external timer or separate remote-control system.

Save These Instructions.

How To Use

This toaster is for household use only.

Before Using Your Toaster

- Remove all protective wrappings and stickers prior to using the toaster.
- When the toaster is used for the first time an odor may be emitted due to manufacturing residue or oil remaining in the toaster or heating element. This is normal and should disappear after some time
- Avoid toasting breads with extremely runny ingredients such as butter or garlic bread.
- Never attempt to remove bread jammed in the slots without unplugging the toaster from the electrical outlet first. Be sure not to damage the internal mechanism or heating elements when removing bread.
- In order to achieve uniform color we recommend that you should wait a minimum of 30 seconds between each toasting so that colour control can reset automatically.

Using Your Toaster

1. Plug the power cord into the outlet.
2. Insert up to four slices of bread, muffins, or bagels into the bread slots.
3. Make sure the crumb trays are in positioned in place before using.
4. Press the carriage control lever down until it clicks into place.
Toasting cycle will automatically commence.

NOTE: if the toaster is not plugged in and switched on at the power point the carriage control lever will not click into place.

NOTE: If toasting only 2 slices of bread please use the primary toasting slots located on the right side of the machine. The toasting slots on the left will only turn on when the slots on the right are also

5. Select the desired browning setting by pressing the button "+" or "-", the display will show the selected number from 1 to 6 with the browning dots. (No.1-lightest, No.6-darkest).

NOTE: When using the toaster for the first time we suggest you toast on number 3. Varying types of bread and personal preference may require a different browning setting.

6. As the toasting time goes, the dots will disappear one after another. The toaster turns off when the toasting time is complete and the carriage pops up raises the toast. The toasting process can be stopped at any time by pressing the cancel button.

Defrosting Frozen Bread

To toast frozen bread, place the bread into the bread slots and press the carriage control lever down until it clicks into place, waits for 3 seconds then press the defrost button. The defrost icon will appear on the display. The desired browning setting can be set by pressing the button "+" or "-".

Reheat Button

Use the lowest setting, and only reheat plain, unbuttered toast.

Lift & See Function

The toaster allows you to lift the carriage control lever up to look over the toast color in any working state without canceling the toasting process. Do not touch the bread during checking. Release the carriage control lever, the bread will return to the slots to continue being toasted. If you are satisfied with the toasted bread, press the cancel button to stop further toasting.

In the unlikely event that the bread becomes jammed, switch the toaster off at the power outlet, remove the plug from the supply socket and carefully ease the bread out of the toaster, ensuring that you do not damage the element.

Cleaning & Maintenance

1. Always turn the power off, remove the plug and allow the toaster to cool before cleaning.
2. To remove any crumbs from the toaster, slide out the crumb tray from under the toaster, empty and replace in the toaster before using it again.
3. Wipe the outside of the toaster with a slightly dampened cloth and polish with a soft dry cloth.
4. Do not immerse the unit in water.
5. To clean the interior, turn the toaster upside down over the sink and shake crumbs free.

Crumbs

Remove crumbs frequently, as they could cause a fire hazard. Unplug the toaster and let it cool down fully. Remove and empty the crumb tray. Wipe it with a damp cloth, dry it, then slide it back into the toaster. Don't use the toaster unless the crumb tray is in place and closed.

Technical Specification

Product Code:	201287, 201317, 204866
Rated Voltage:	220-240V~50-60Hz
Rated Power:	1900-2300W
Standby Mode	0W



Sabichi Homewares Ltd, 5 Wadsworth Road,
Perivale, Middlesex UB6 7JD
Sabichi NI , Unit 01 Strangford Park Ards Business
Centre, Jubilee Rd Newtownards BT23 4YH

Waste Electrical Recycling



This symbol indicates the product is classed as Electrical or Electronic Equipment and should not be disposed of with other household waste. The Waste Electrical and Electronic (WEEE) Directive has been introduced across the EU:

- to recycle waste electrical products using the best available recovery and recycling techniques.
- to minimize the impact to on the environment
- to treat any hazardous substances
- to avoid increasing landfill

WEEE product should be disposed of by handing it over at a designated collection point. For more information about where to drop off your waste product for recycling please contact you local authority.

Warranty

This product is guaranteed for 2 years from the date of original purchase. If the product fails within this period due to faulty materials or workmanship, it will be repaired, replaced or refunded at our discretion. Proof of purchase will be required.

This warranty applies only to:

- Product installed and used in accordance with the instructions contained in this manual.
- Product used for domestic purposes only.
- Product purchased in the UK and Ireland.

This warranty does not cover:

- Cosmetic damage.
- Normal wear and tear or consumable parts.
- Incorrect voltage supply or power surges.
- Customer misuse, modifications or adjustments.
- Products with unreadable or removed serial numbers.

Haden disclaims any liability for incidental or consequential loss or damages.

In the event of a problem:

- Please refer to the troubleshooting tips section within your user guide for help and guidance.
- If you are still unable to resolve the problem, please contact our technical support team for assistance.

When contacting Haden please provide:

- Product model number and serial number. Model & serial numbers can be found on the product rating label.
- Date of purchase.
- Complete description of the problem.

This information will help our team assist you more quickly.

Help Line: 01909 544 570
Opening Hours: Monday - Friday 9.30am – 5pm
Email: info@haden.com

HADEN