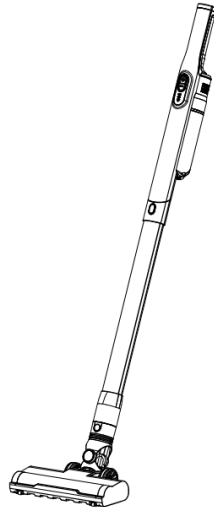


INSTRUCTION MANUAL

Cordless stick

Vacuum cleaner

BH-608



Specifications:

14. 8V 2200mAh Li-ion battery

Suzhou Atbest Electrical Technology Co.,ltd

3#xitai Road,Beiqiao street,xiangcheng District,Suzhou,china

WARNINGS AND SAFETY PRECAUTION

Read the instruction manual carefully before use!

Keep this instruction manual for future use.

Children should be supervised to ensure that they do not play with the appliance.

This appliance is designed for domestic use only.

Do not pull on the connection cord, but rather on the plug, to separate the appliance adaptor from the mains.

Do not use outdoor.

Do not leave the appliance unattended when it is switched on, as this may be a source of danger.

Stand the appliance on a table or flat surface.

If the supply adaptor is damaged, it must be replaced by a qualified persons in order to avoid a hazard.

Following objects are strictly banned, otherwise the vacuum cleaner will be damaged or fire calamity will be caused, which bring such accidents as human body injuries:

Don't pick up large or sharp broken such as glasses,

Don't pick up inflammable or explosive substance such as gasoline or alcohol.

Check the device and connections regularly for visible damage.

The device must not be used if the housing is damaged or other damage is present.

Never attempt to open the device or the mains adapter yourself or to replace the connecting cable. Always have repairs to the device carried out by a specialist workshop.

There is considerable danger to the user if repairs are faulty.

Do not trap the mains power adapter cable and when using the adapter, pay attention to where the cable is to prevent any danger of tripping over it.

Keep the cable away from heated surfaces (e.g. cooker and other hot surfaces).

Do not touch the mains adapter and cable with wet hands.

Do not point the vacuum cleaner at persons or animals when in operation.

Only use the mains adapter in a clean and dry environment.

Only use the device with the accessories supplied.

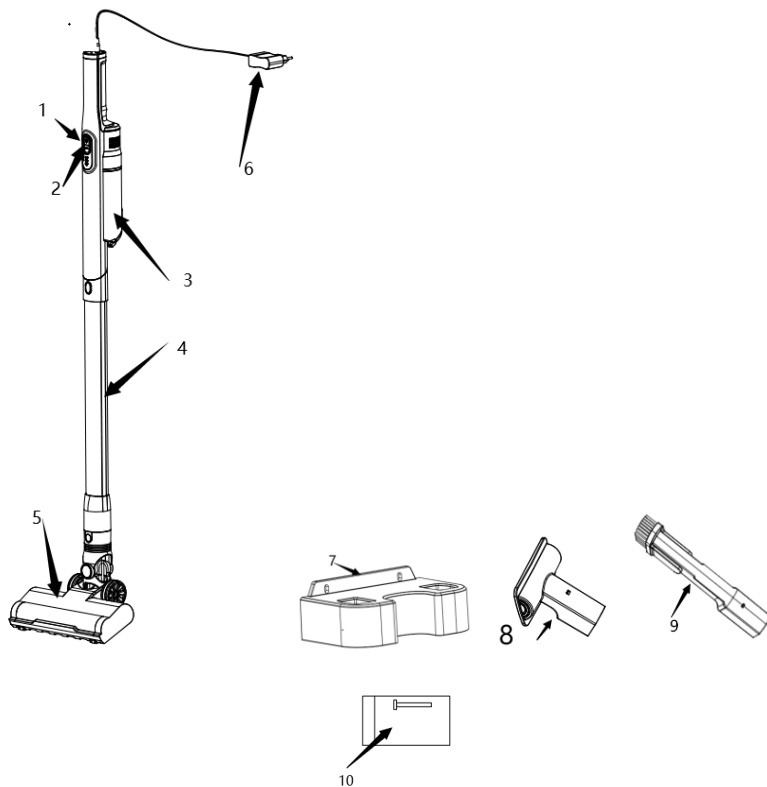
Please keep these instructions in a safe place.

Use only with the provided adaptor.

This appliance is not intended for use by children or the infirm, unless they have been given supervision or instruction concerning use of the appliance by a person responsible for their safety.

DESCRIPTION

- 1, On/off switch
- 2, speed control knob
- 3, dust tank and filter
- 4, tube
- 5, floor brush
- 6, adaptor
- 7, wall mount
- 8, sofa brush
- 9, 2in1 nozzle
- 10, screw bag



CHARGING

First insert the wall mount into the wall with screw bag.

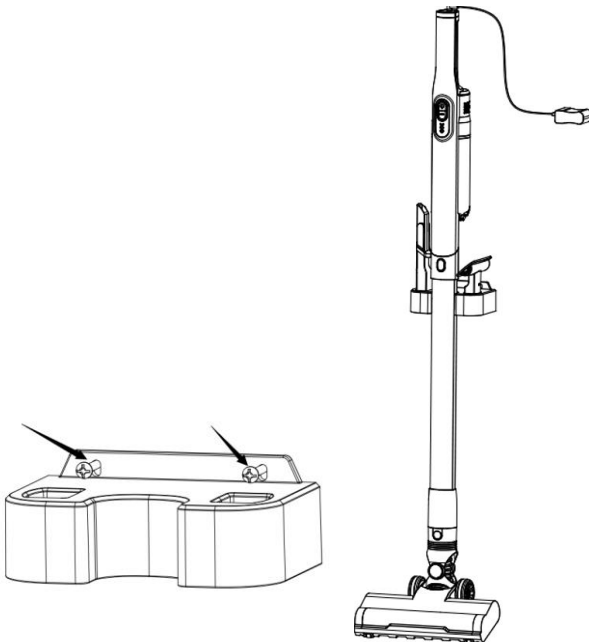
Put the vacuum into the wall mount to fix, ensure the vacuum cleaner not drop down.

Insert the adaptor into the mains socket always make sure that the vacuum is turned off before connecting to the power adaptor.

The indicator light in white color will come on and keep flashing once the device has made contact with the adaptor.

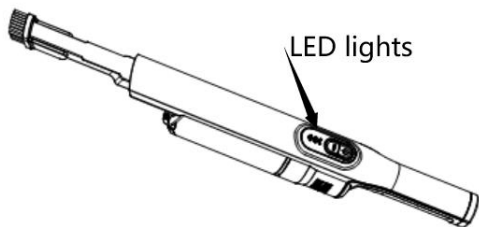
In order to ensure that it is always ready for use, the device should be left on charge with adaptor when not being used.

The adaptor may become warm during charging-this is normal.



INDICATION LIGHT

- 1, When charging the appliance, The indication in white color will come on and keep flashing..
- 2, When fully charged. The indication light will keep on in white color
- 3, When using the appliance. The indication light will be in white color.
- 4, When the battery is weak. The last indication light in white color will keep flashing.

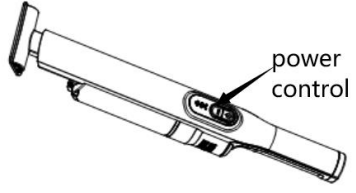
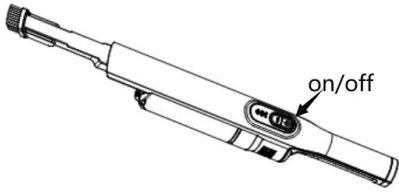


USE AND FUCTION

Do not connect the adaptor when using the appliance

You should regularly check that the nozzle is clean as any sharp object may scratching sensitive floors.

- 1, Inset the nozzle/sofa brush into main unit when cleaning table, car, corner sofa, carpet etc...
- 2, Start the device by pushing the on/off button upward.
- 3, you may also press the speed control knob to adjust the power.
- 4, Pushing the on/off switch button downward to turn off the device.



4. When cleaning the floor/carpet, insert the tube and floor brush together into the body.



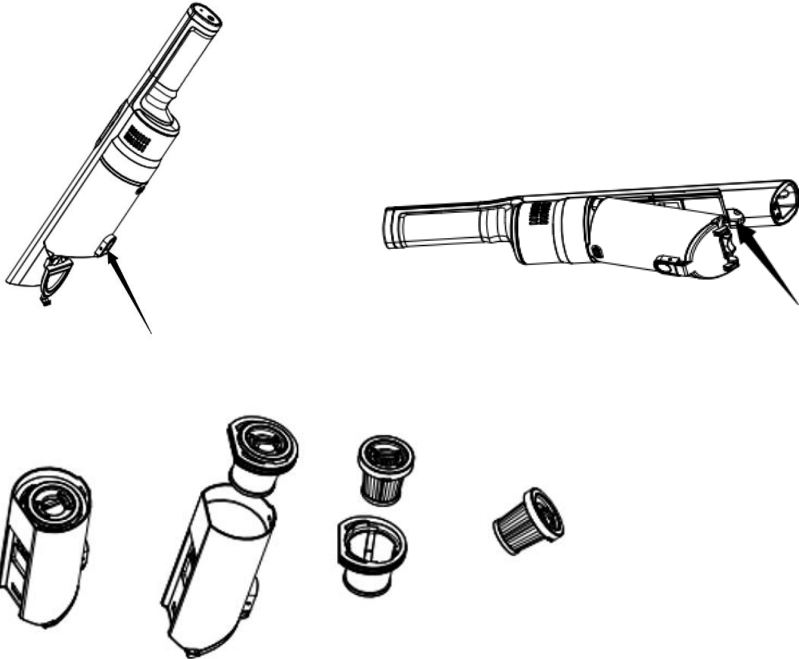
EMPTYING/CLEANING

Careful cleaning of the dust container and filters

1. press the dust release button when clean the dust.
2. When need clean filters, press the tank button.
3. Pull out the filters to clean.

Important: Make sure that the parts are dry before they are re-installed.

Put the filter into dust container. Assemble the dust bin to the motor unit following up the opposite procedures for detaching the dust bin.



DISPOSAL

If the device is to be disposed, the battery should ideally be removed.

Used battery should be never disposed with household wastes; it should always be taken to a local authority recycling centre.

If you cannot disassemble the product yourself the local authority recycling centre will dispose of the product for you in an environmentally friendly manner

SERVICING OR REPAIRS

where the product malfunctions or is damaged all inspections and repairs must be carried out by a qualified electrician or technician .

Specifications:

Input: 100-240V 50/60Hz

Output: 18V 500mh

Li-ion batter 14.8V 2200mAh

Motor power: 200W

Working time: 35mins

Charging time: 4h