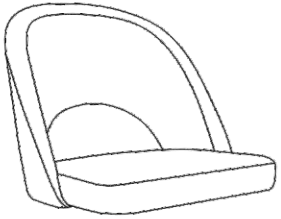
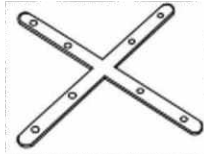


ASSEMBLY INSTRUCTION

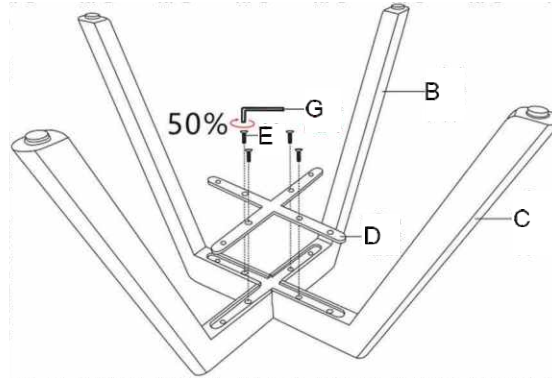
Ax1



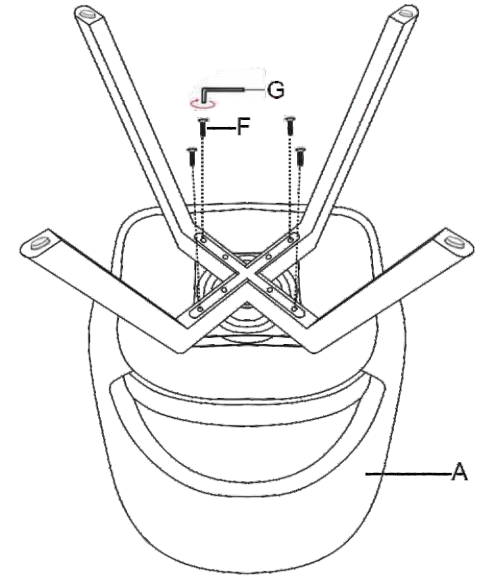
Dx1



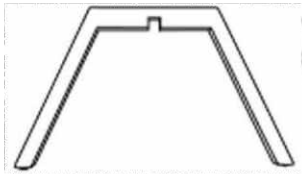
①



②



Bx1

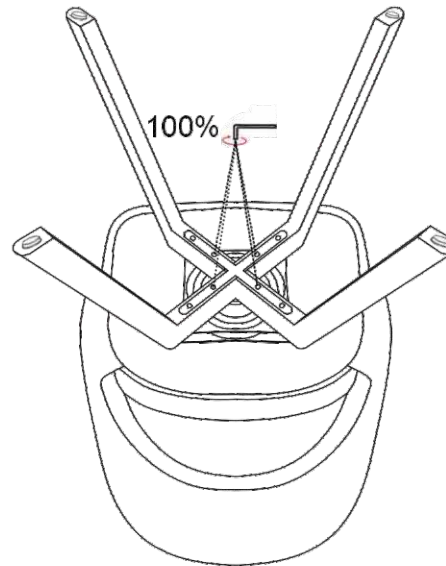


Ex4

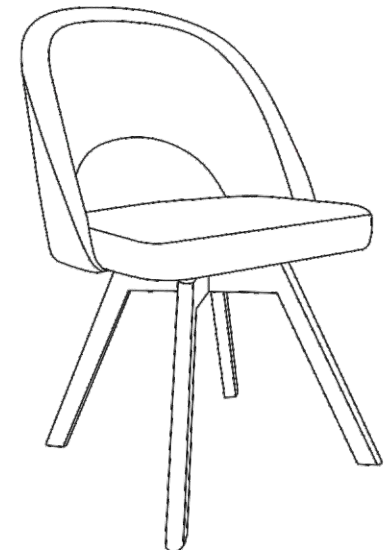


M6x20mm

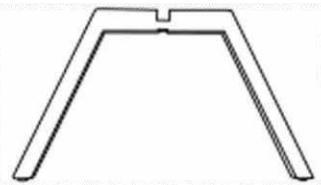
③



④



Cx1



Fx4



M6x62mm

Gx1



M5