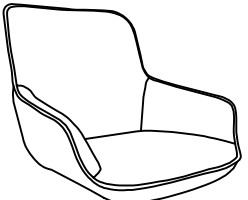

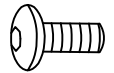
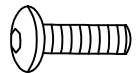

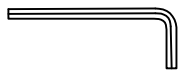


# ASSEMBLY INSTRUCTION

A*1	
B*1	
C*2	 M6*16mm
D*2	 M6*20mm
E*2	 25*10*5mm
F*1	 M6

