

# Marymount Desk

AW22813-WH

alphason



Customer services:



0845 130 6686



info@armourhe.co.uk



www.armourhome.co.uk



# Marymount Desk

AW22813-WH

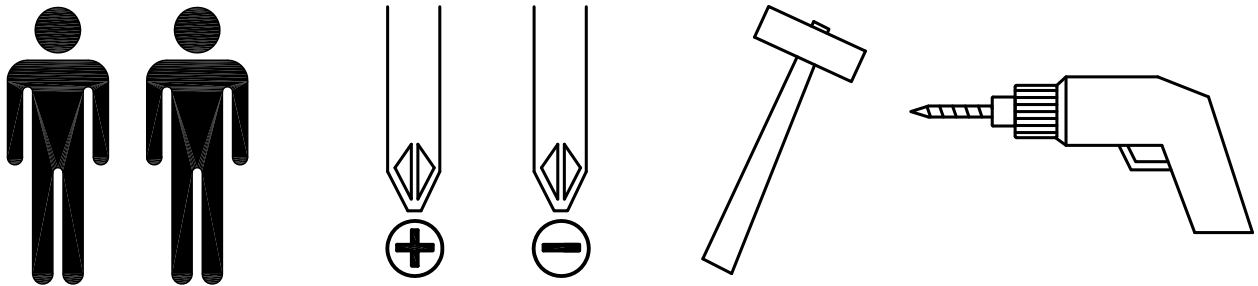
alphason

**Thank you for purchasing this Marymount Desk. Please read the instructions carefully before use to ensure safe and satisfactory operation of this product.**

## Pre-assembly preparation

Please ensure instructions are read in full before attempting to assemble this product

## Necessary Tools



Note: Some of the tools shown here are optional and are required only for quick assembly of this product

Please check the pack contents before attempting to assemble this product. A full checklist of components is given in this leaflet. If any components are missing, please contact the retailer from whom you bought this product.

This product is **HEAVY**, it should be assembled as near as possible to the point of use. **TAKE CARE WHEN LIFTING** to avoid personal injury and (or) damage to the product.

This product takes approximately 45 MINUTES to assemble with 2 PEOPLE.

The fittings pack contains **SMALL ITEMS** which should be **KEPT AWAY FROM YOUNG CHILDREN**.

Read this leaflet in full before commencing assembly.



Armour Home Electronics  
Units 7 & 8, Stortford Hall Industrial Park,  
Dunmow Road, Bishops Stortford,  
Hertfordshire, UK, CM23 5GZ



[www.armourhome.co.uk](http://www.armourhome.co.uk)

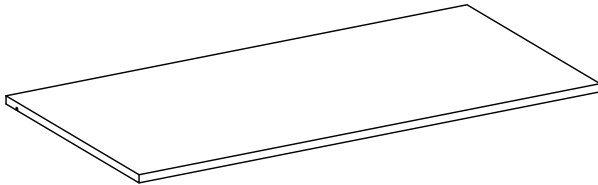


0845 130 6686

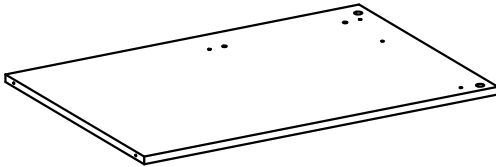
# Marymount Desk

AW22813-WH

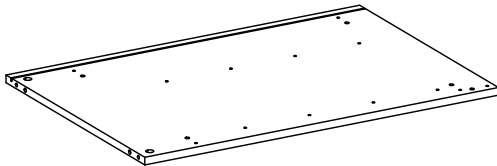
alphason



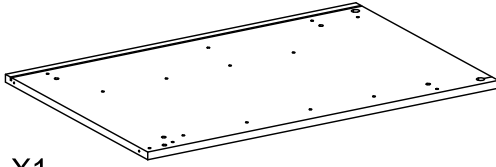
**A** X1



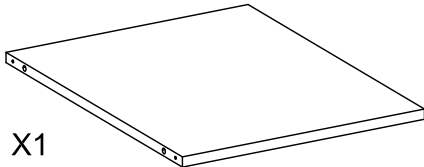
**B** X1



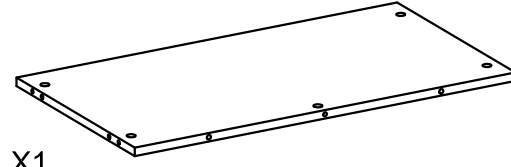
**C** X1



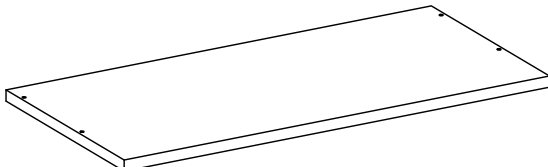
**D** X1



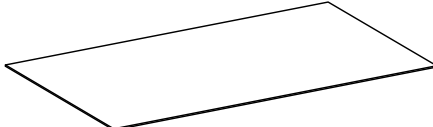
**E** X1



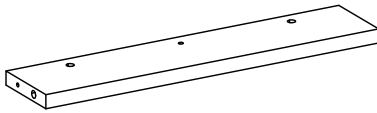
**F** X1



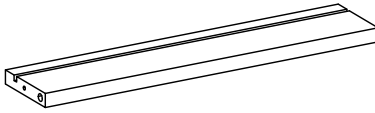
**G** X1



**H** X1



**I** X1

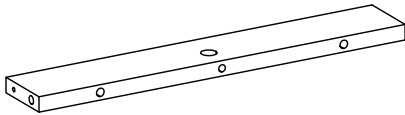


**J** X1

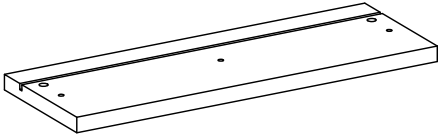
# Marymount Desk

AW22813-WH

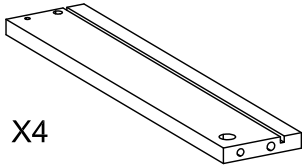
alphason



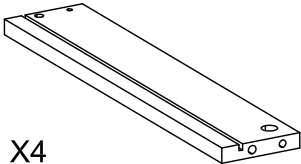
**K** X1



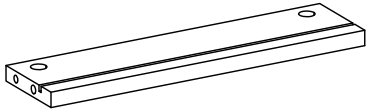
**L** X4



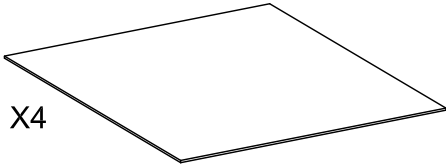
**M** X4



**N** X4



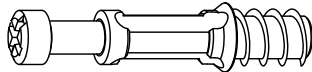
**O** X4



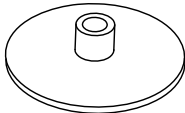
**P** X4



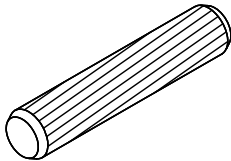
**Q** X38



**R** X38



**S** X38

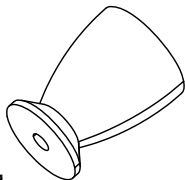


**T** X40

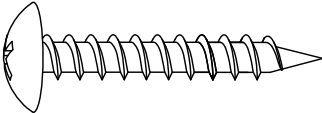
# Marymount Desk

AW22813-WH

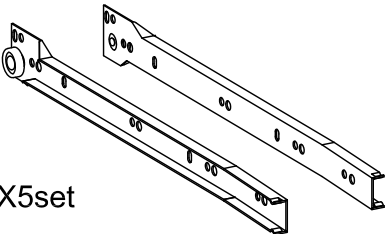
alphason



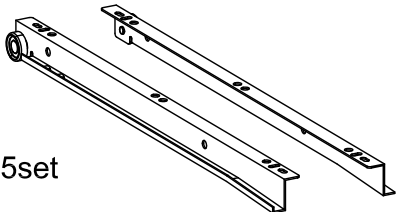
**U** X4



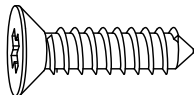
**V** X4



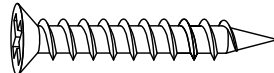
**W** X5set



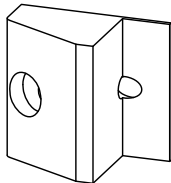
**X** X5set



**Y** X40



**Z** X10

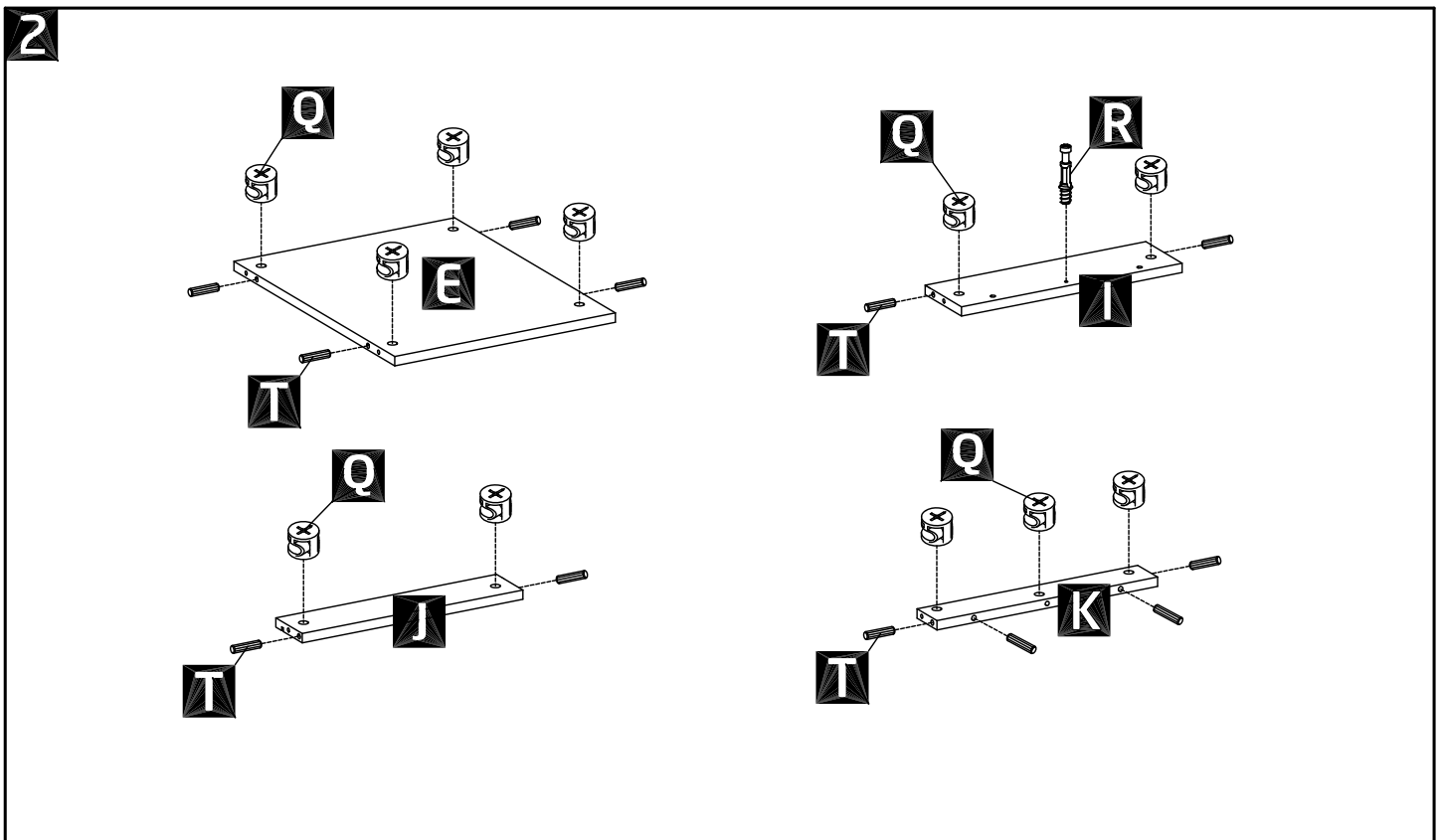
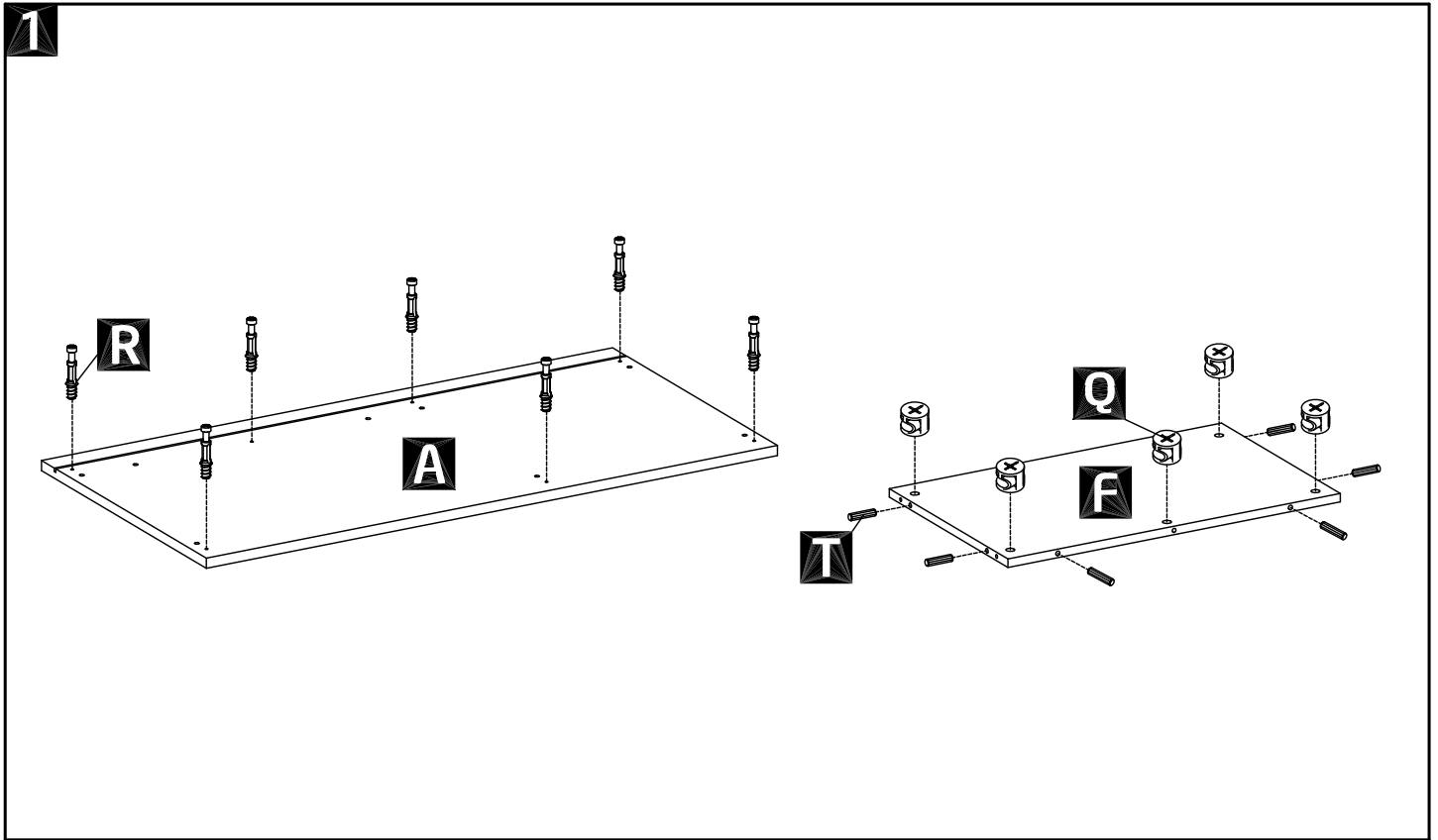


**A1** X10

# Marymount Desk

AW22813-WH

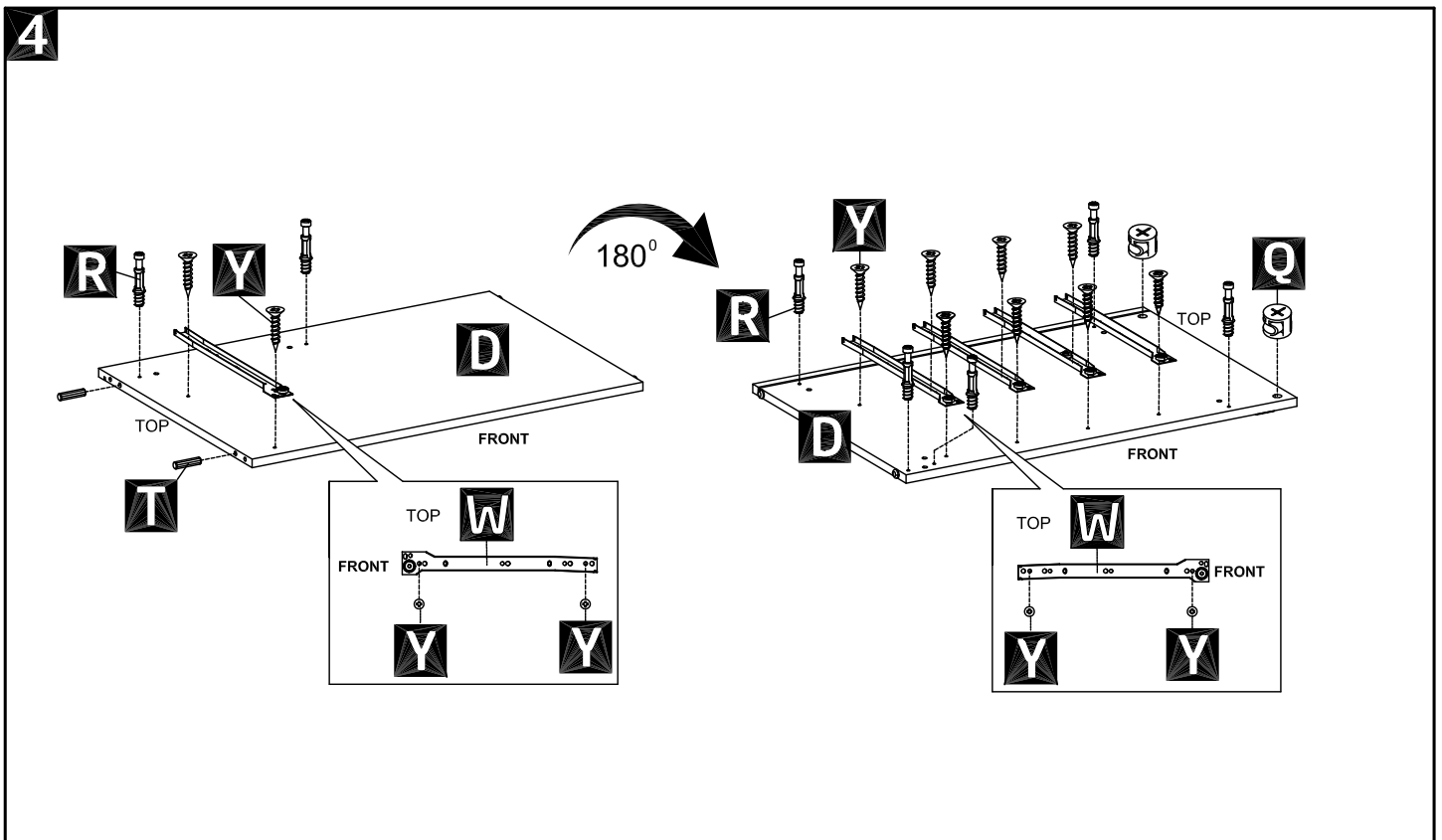
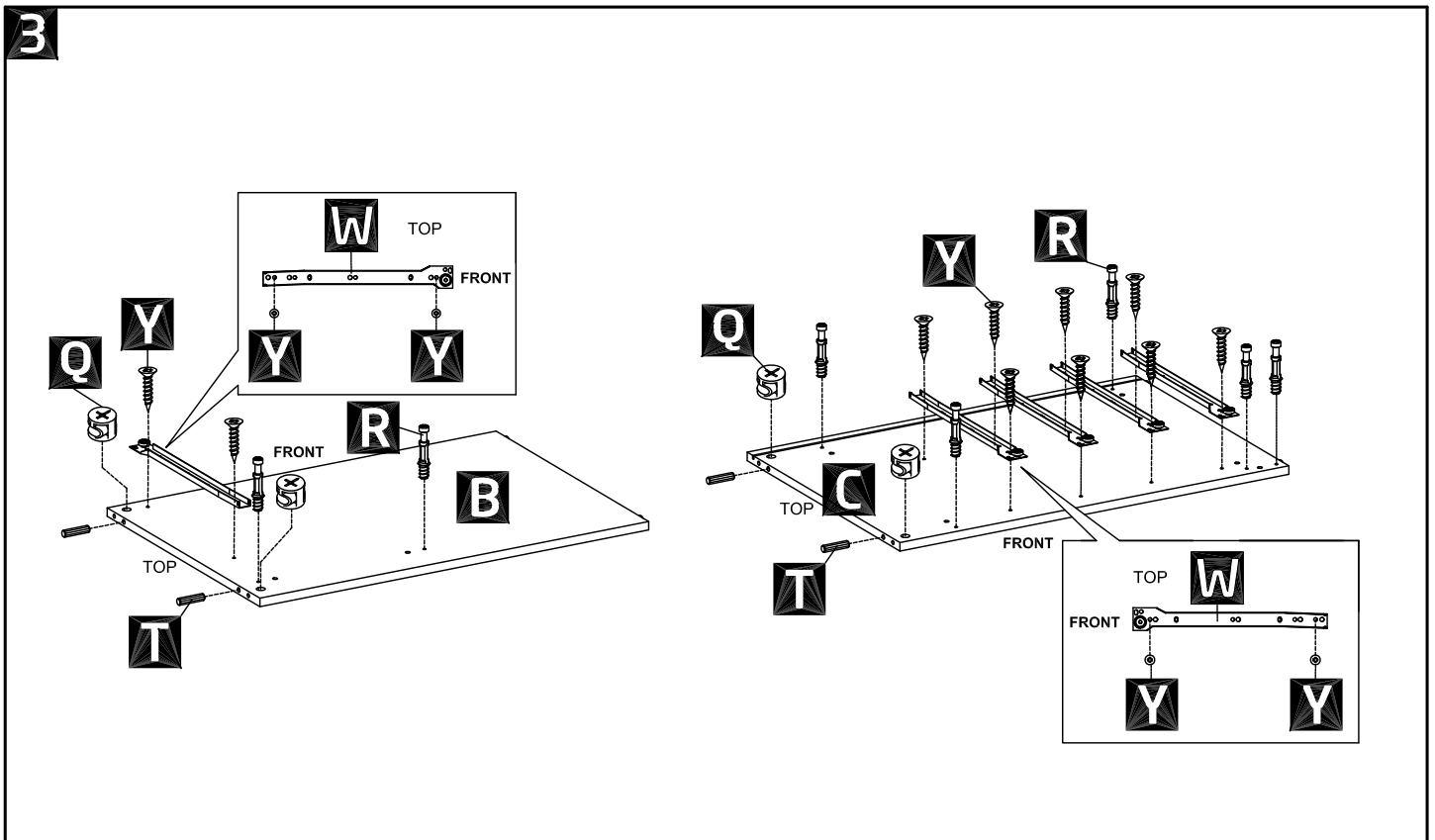
alphason



# Marymount Desk

AW22813-WH

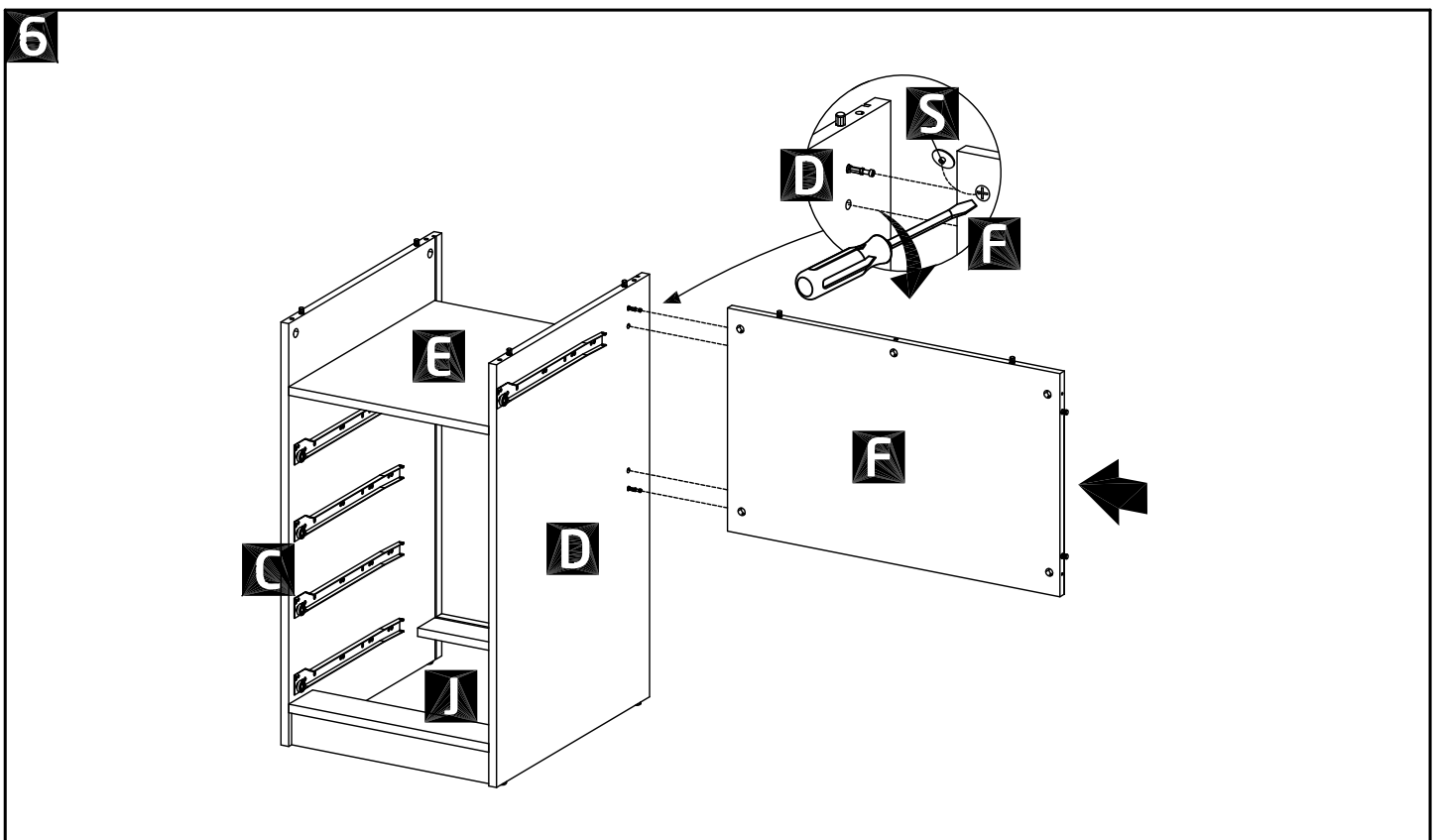
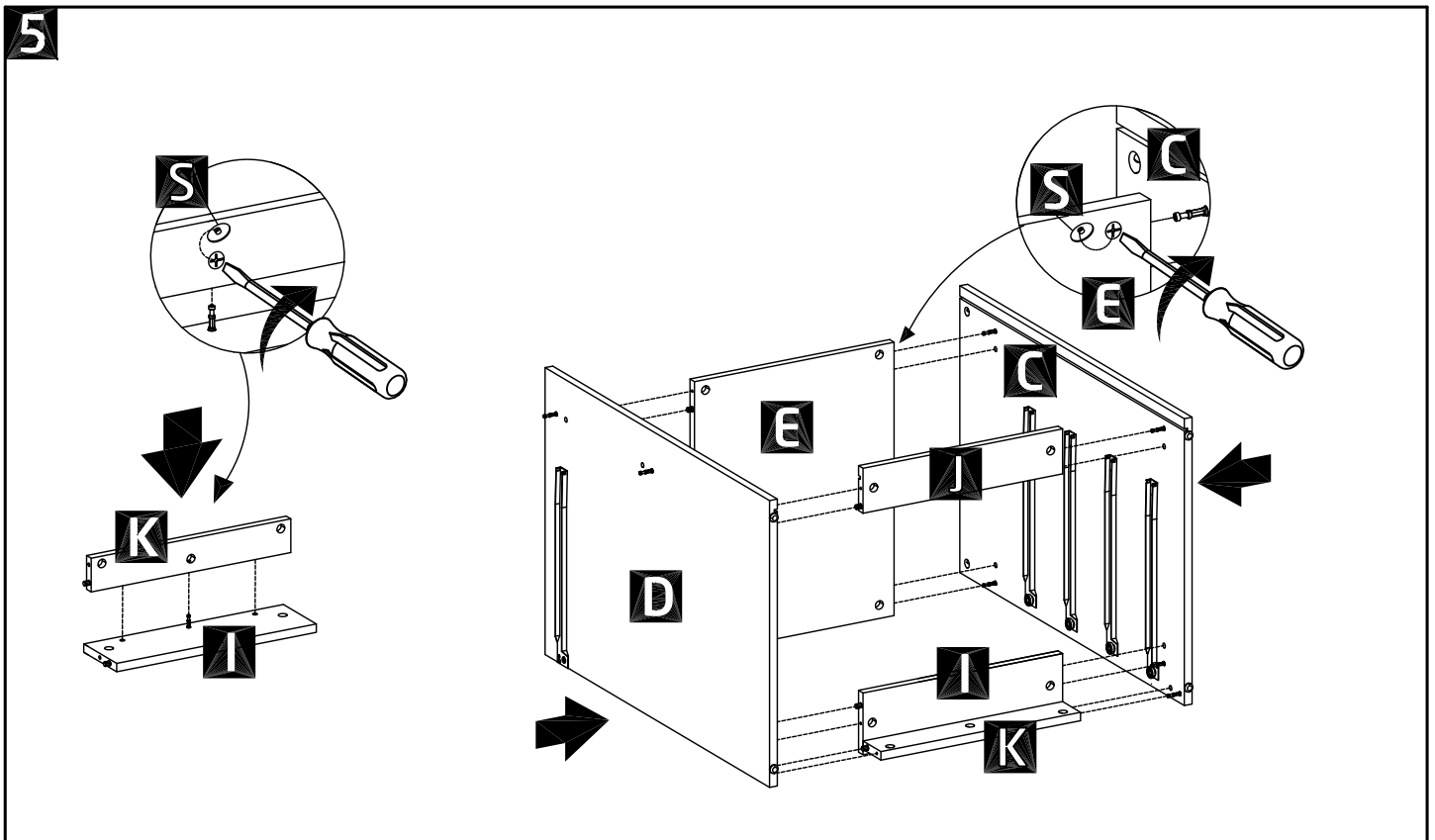
alphason



# Marymount Desk

AW22813-WH

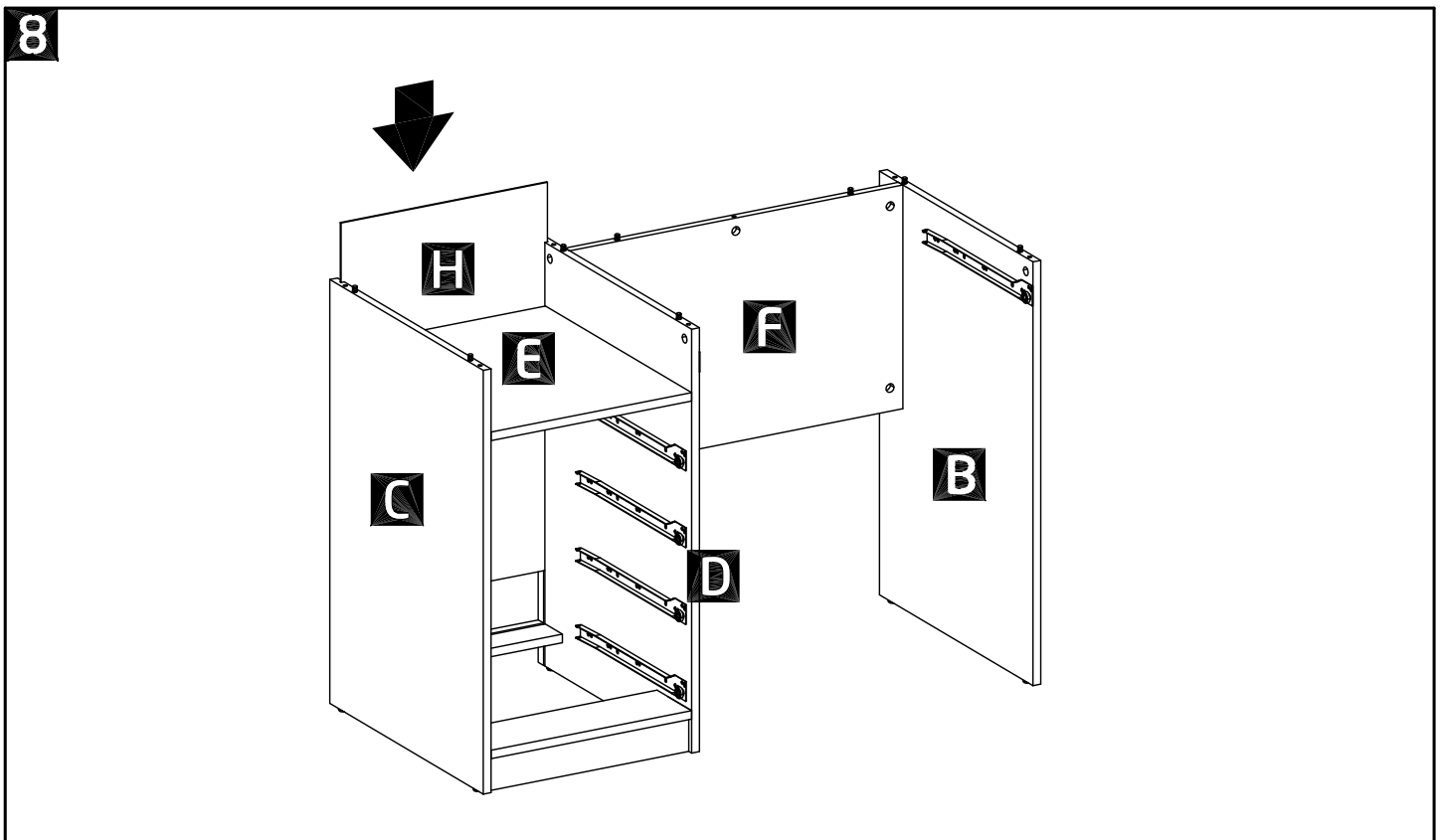
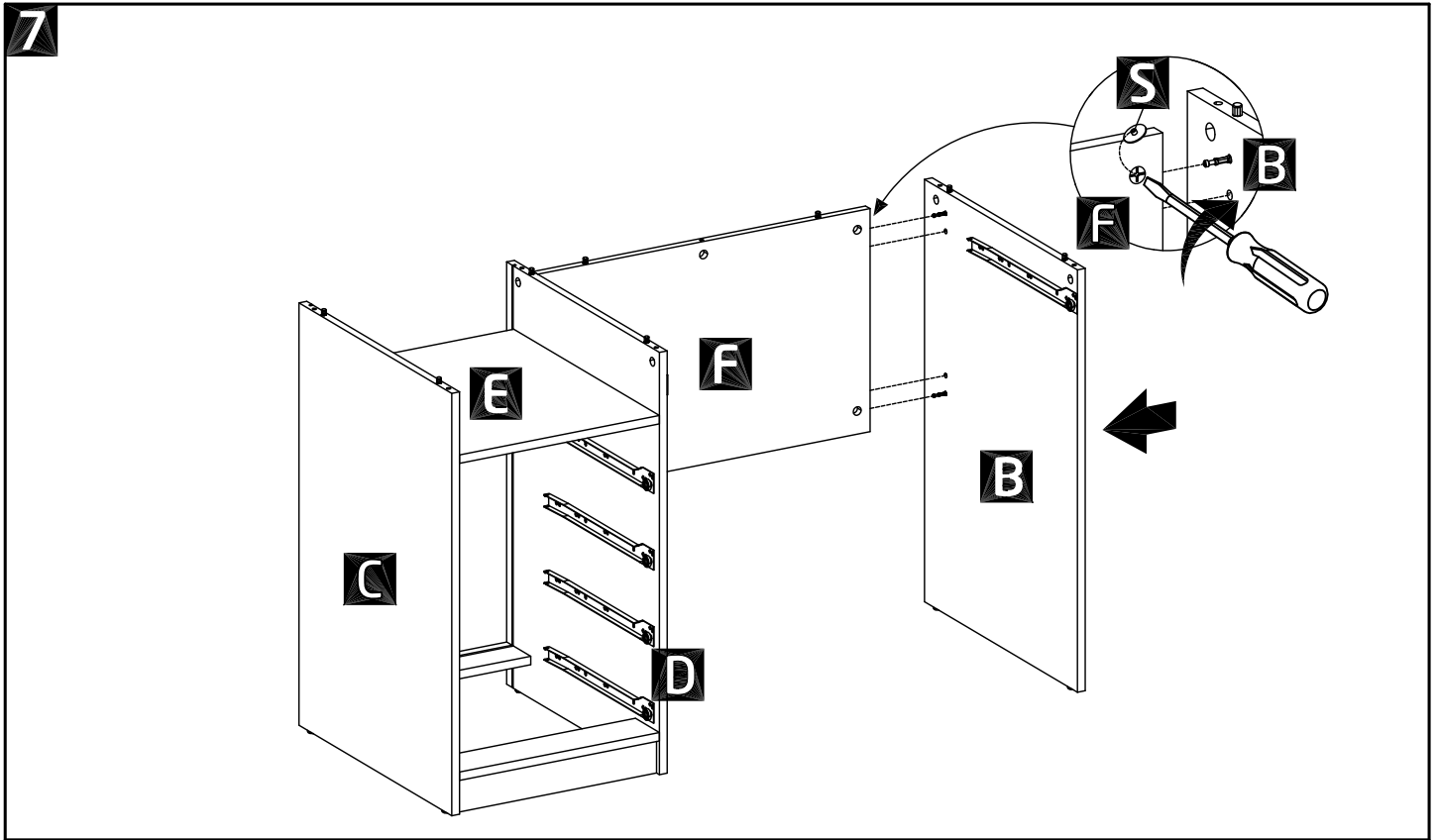
alphason



# Marymount Desk

AW22813-WH

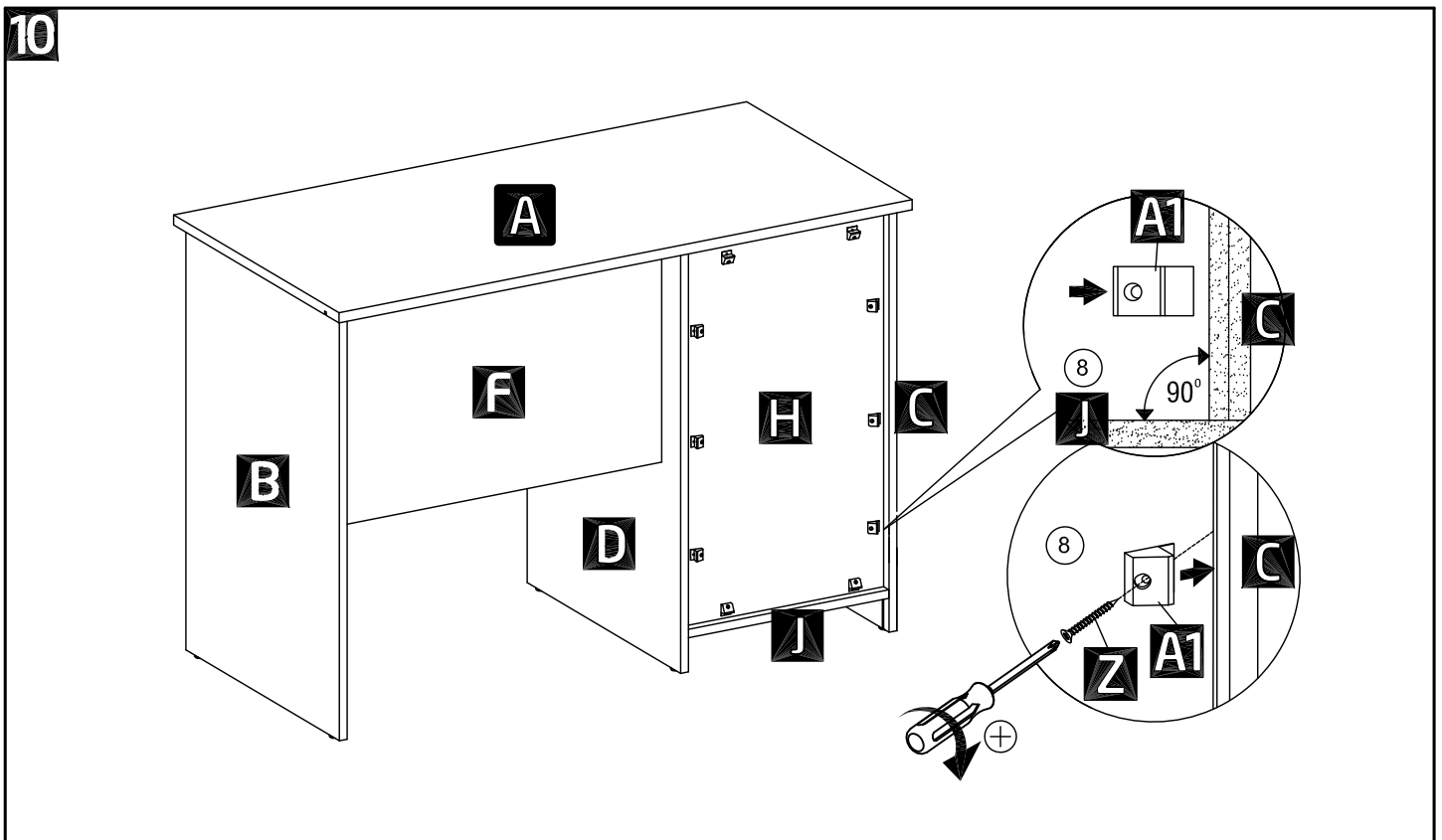
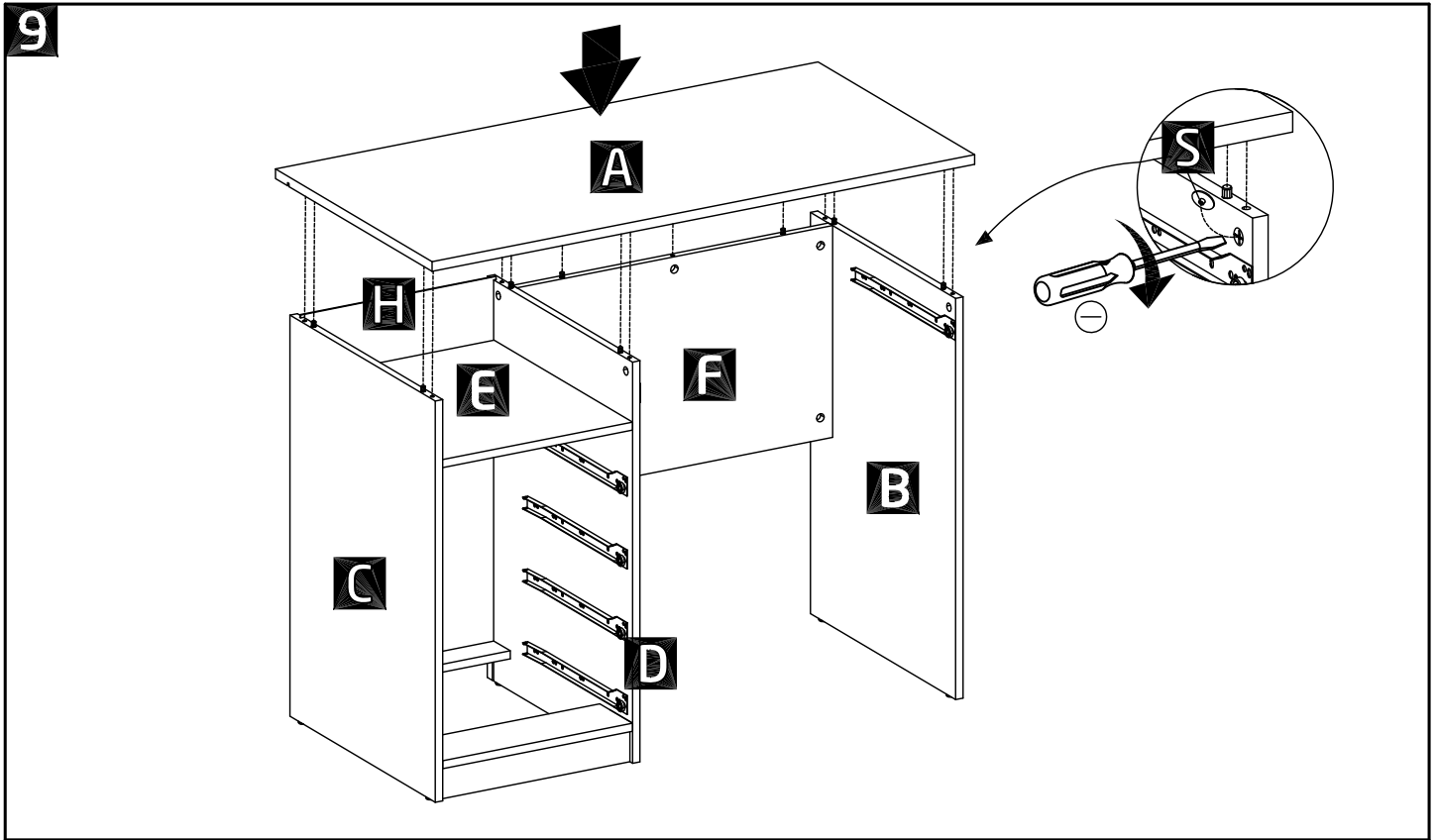
alphason



# Marymount Desk

AW22813-WH

alphason

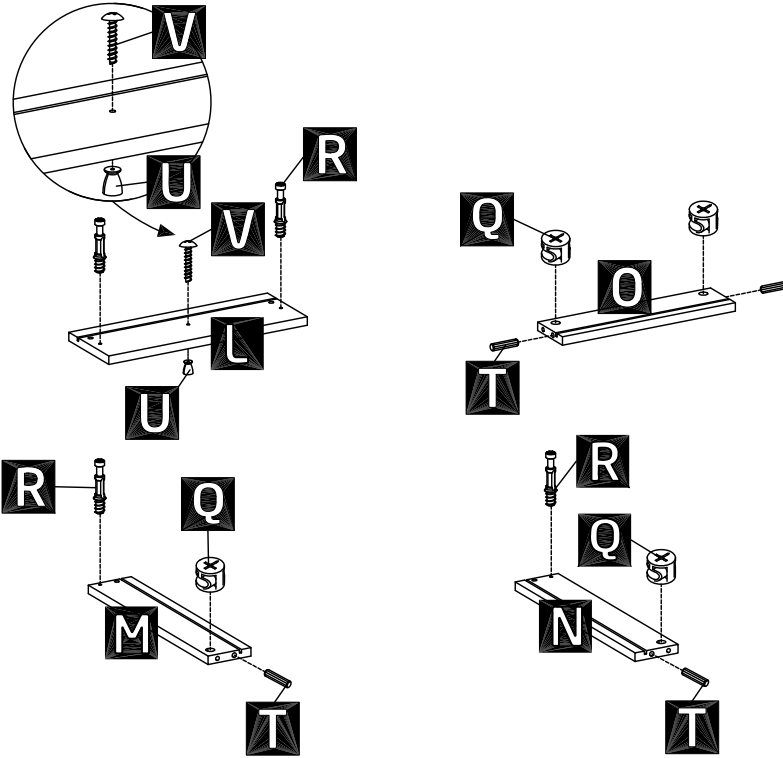


# Marymount Desk

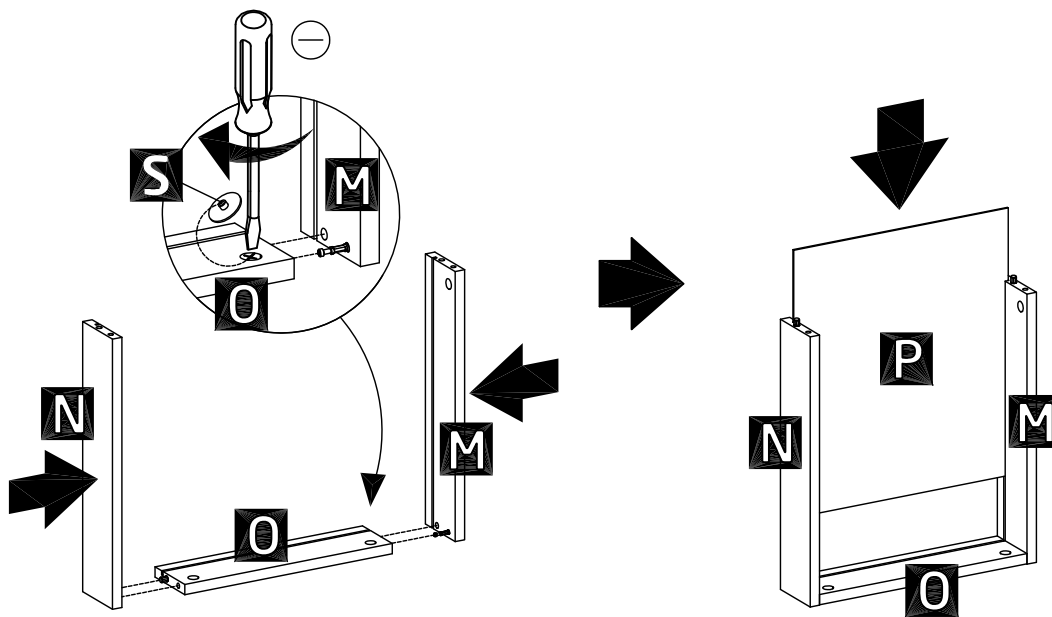
AW22813-WH

alphason

**11** Repeat for each of the 4 drawers



**12** Repeat for each of the 4 drawers

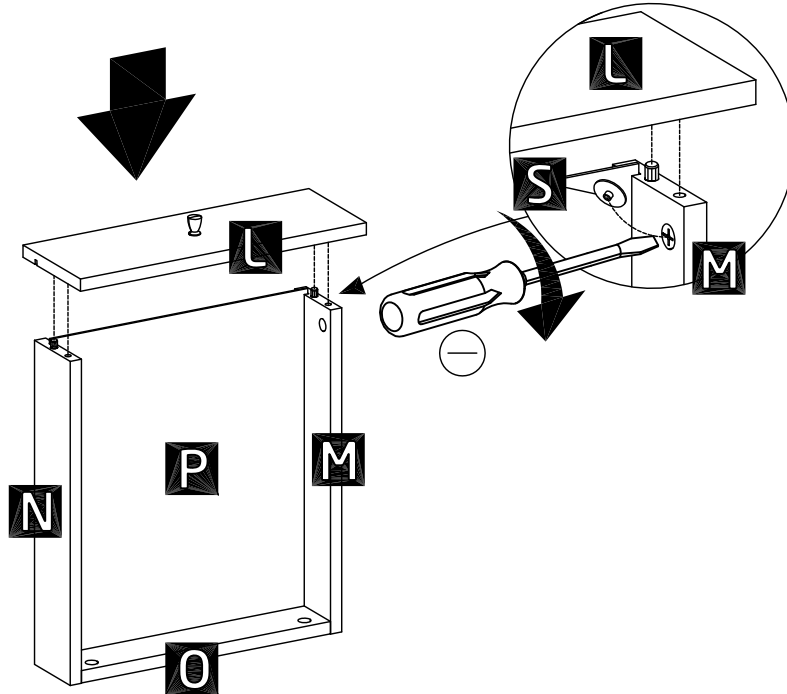


# Marymount Desk

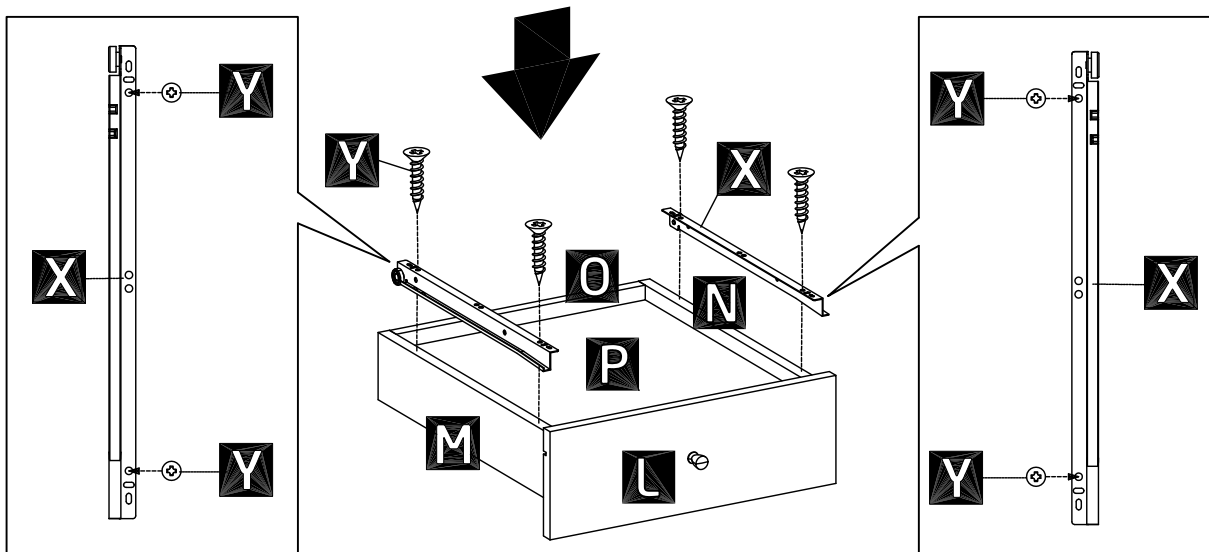
AW22813-WH

alphason

**13** Repeat for each of the 4 drawers



**14** Repeat for each of the 4 drawers

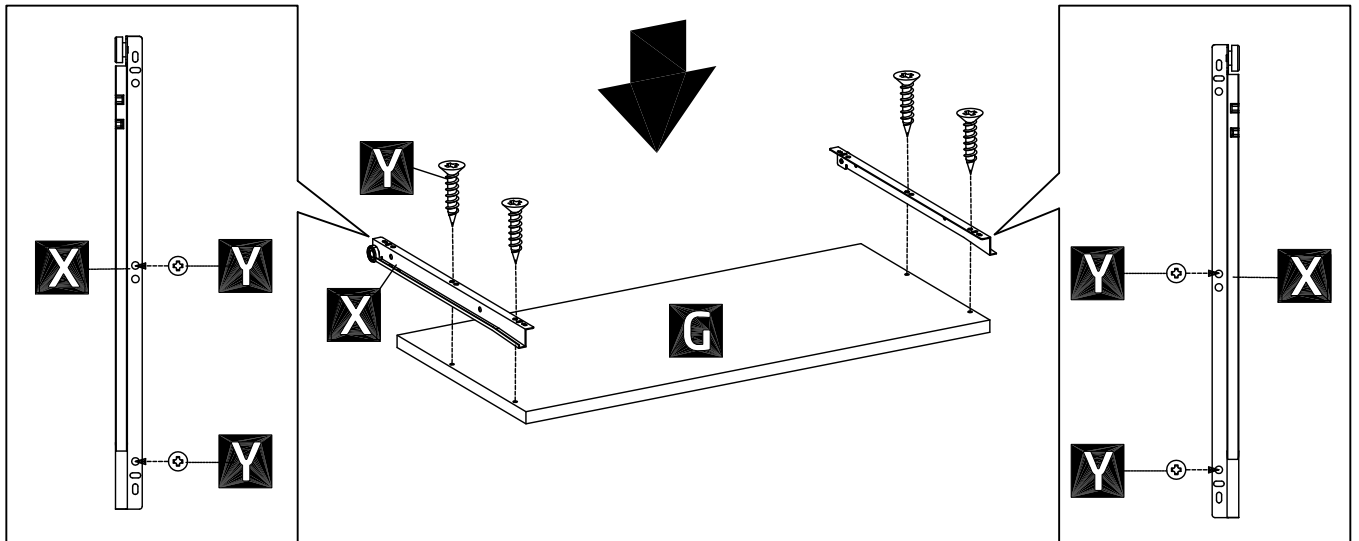


# Marymount Desk

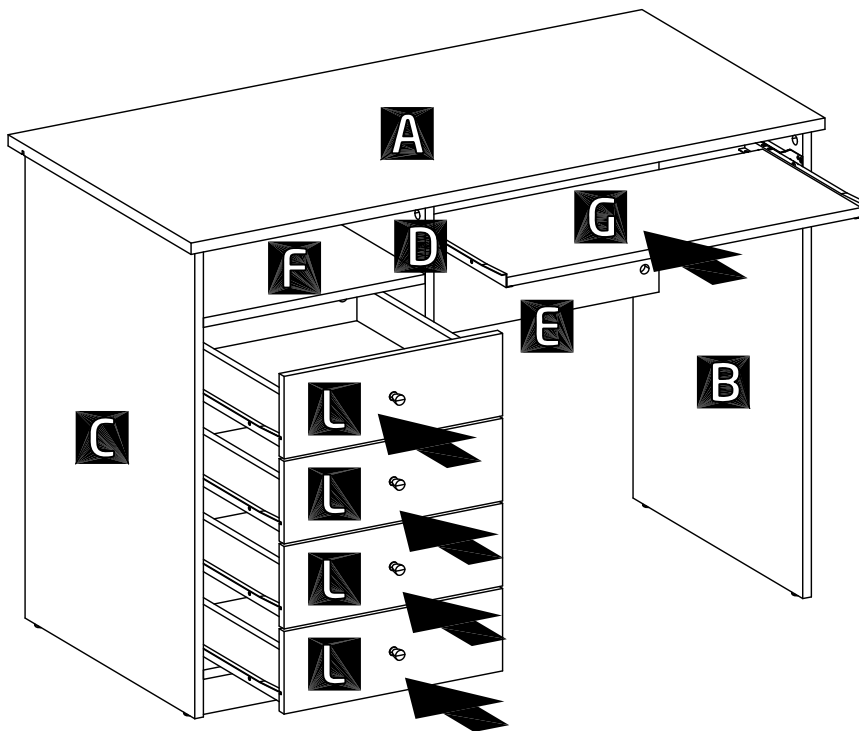
AW22813-WH

alphason

15



16

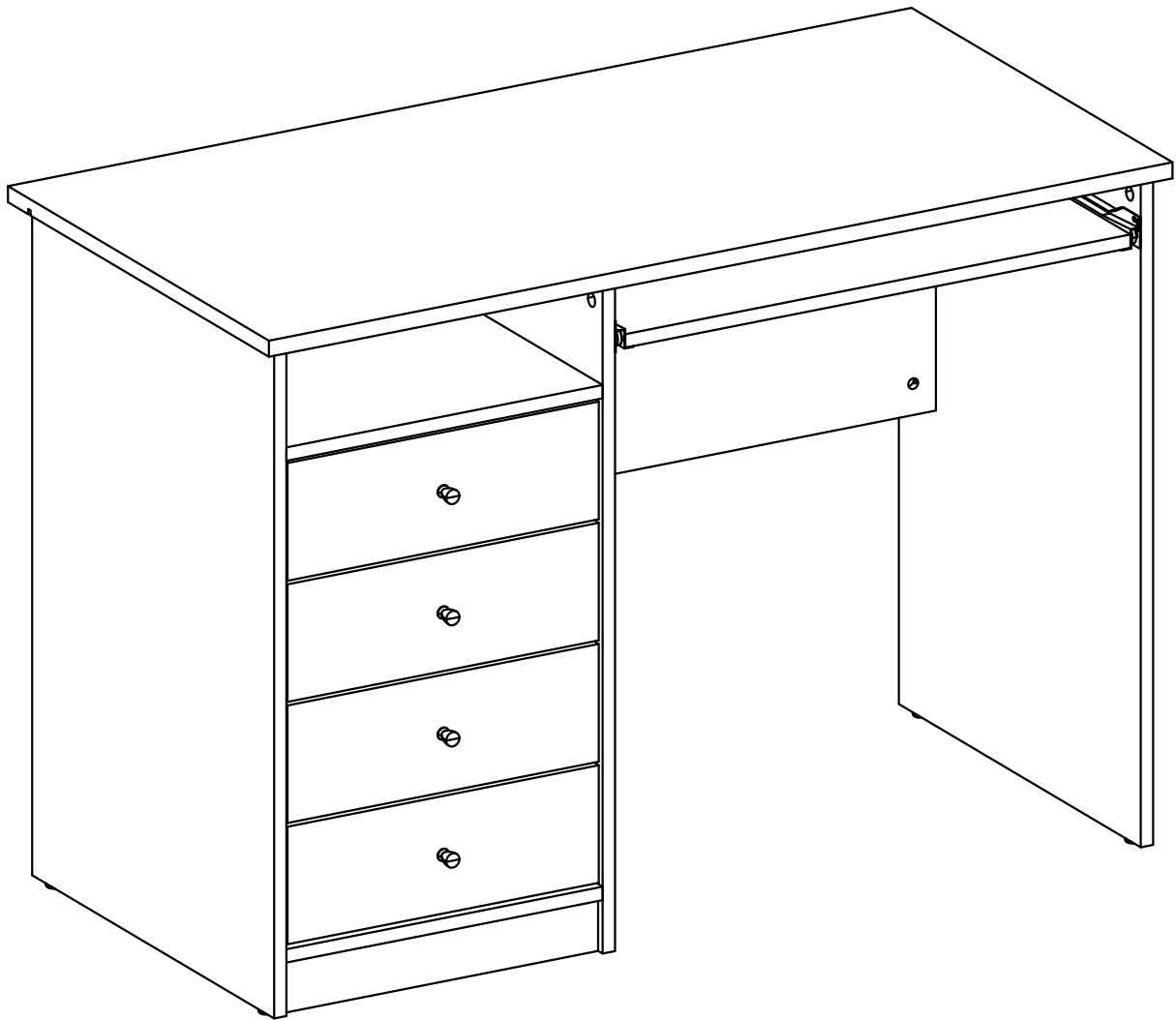


# Marymount Desk

AW22813-WH

alphason

17



Armour Home Electronics  
Units 7 & 8, Stortford Hall Industrial Park,  
Dunmow Road, Bishops Stortford,  
Hertfordshire, UK, CM23 5GZ



[www.armourhome.co.uk](http://www.armourhome.co.uk)



0845 130 6686

# Marymount Desk

AW22813-WH

alphason

## How to care for your wood furniture

Furniture with a hard lacquer, wax polish or painted surface should be dusted with a dry cloth.

Waxed furniture will need to given coat of besswax a couple of times a year to help maintain its luster.

Spray polishes are best avoided as they contain silicones wich may spoil the furniture's surface by building up over time.

Make sure all surface are protected from heat and liquids by mats and coasters. Wipe up spills immediately and ensure that a mat or pad is placed under paper if you are writing.

Extendable dining tables should be left extended for the first few months to avoid an uneven appearance. Likewise, lamps and ornaments should also be moved regularly.

Our furniture will endure most temperatures in the home but it is best to avoid placing furniture next to heat sources such as radiators or fires. Be particularly careful with solid wood as the lack of humidity caused by central heating can cause damage such as warping

## Safety Instructions

Never drag furniture when moving it, always lift it.

Periodically check all fixings to ensure none have come loose and re-tighten where necessary.

Please take care when handling or moving the furniture as careless handling may cause damage or injury.

Furniture can be dangerous if incorrectly installed . Assembly should be carried out by competent person. No liability will be accepted for damage or injury caused by incorrectly installed or assembled furniture.

it is recommended that before moving heavy object to a new location they are completely dis-assembled to avoid personal injury or damage to the furniture. Please be careful to retain all fittings when doing this.

**PLEASE KEEP THESE INSTRUCTIONS FOR FUTURE REFERENCE**



Armour Home Electronics  
Units 7 & 8, Stortford Hall Industrial Park,  
Dunmow Road, Bishops Stortford,  
Hertfordshire, UK, CM23 5GZ



[www.armourhome.co.uk](http://www.armourhome.co.uk)



0845 130 6686