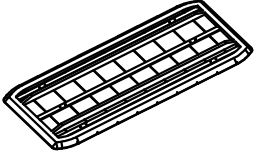

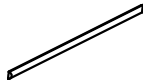

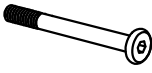


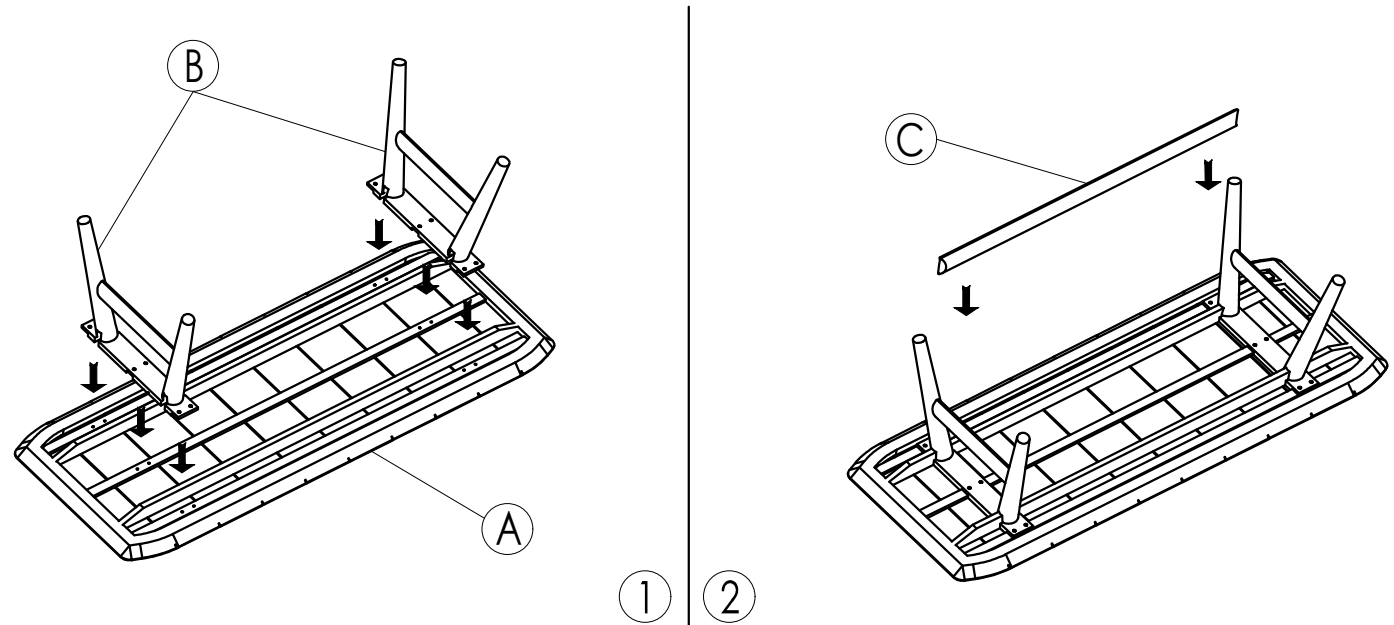


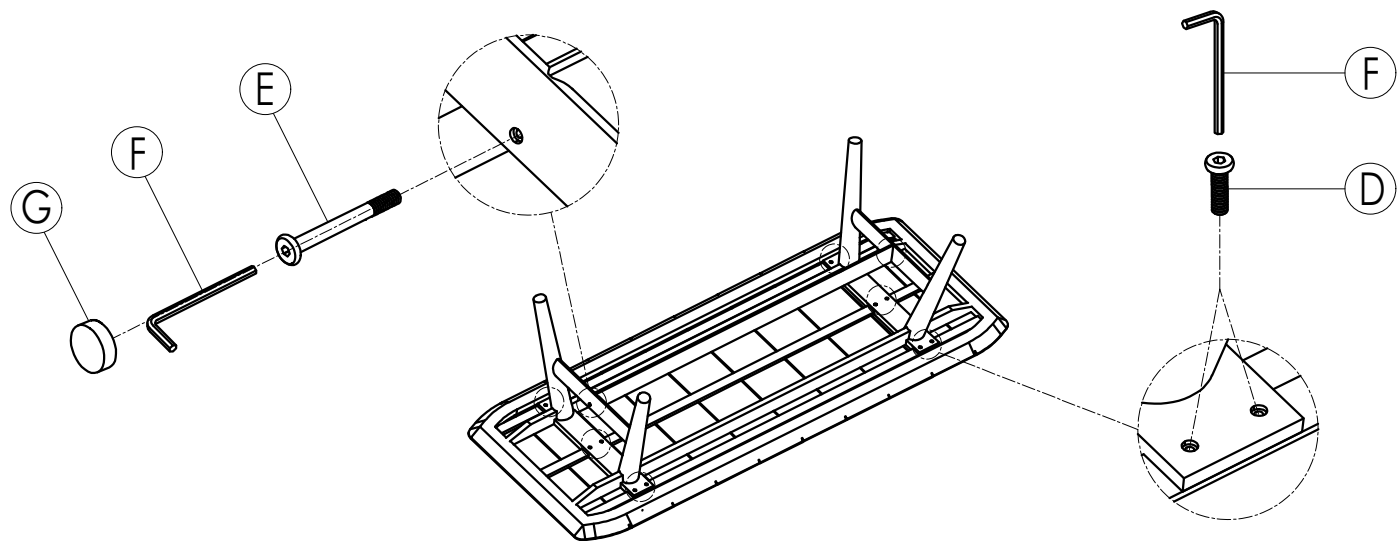
A		X 1
B		X 2
C		X 1
D	 M6*30	X 12
E	 M8*90	X 2
F	 M6 & M8	X 1
G		X 2



Lock the screws into 3/4 parts according to the instructions, after levelling the product, tighten all the screws at the end



3



N<sup>TH</sup> Degree  
CLERKENWELL