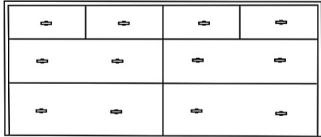


# SWOON

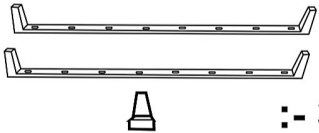
## VERNE CHEST OF DRAWER SHC-SW53

**A.**



**:- 1 x Carcase**

**B.**



**:- 3 x Leg**

**C.**



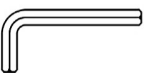
**:- 18 x Bolt  
20x6mm**

**D.**



**:- 18 x Flat Washer**

**E.**



**:-1x Allen Key  
4mm**

**F. -:Extra Items**



1 pc



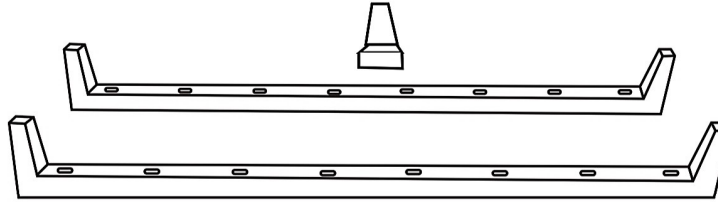
2 pc



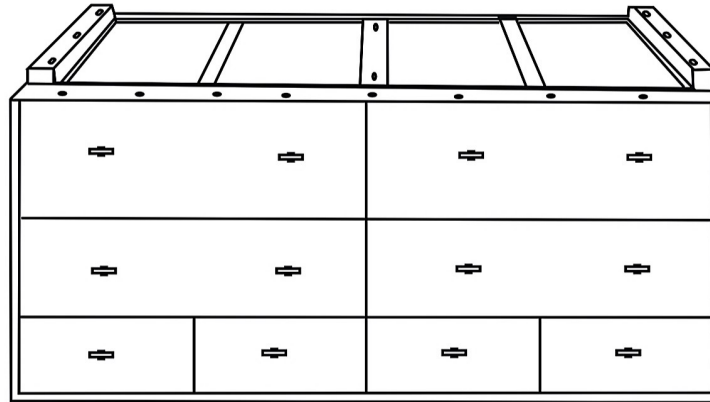
2 pc

**1**

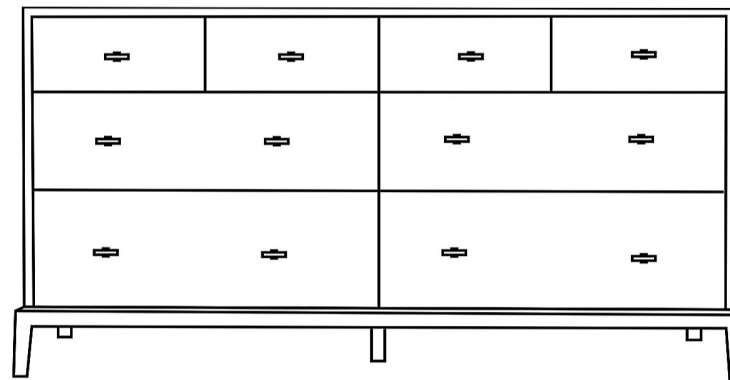
**B.**



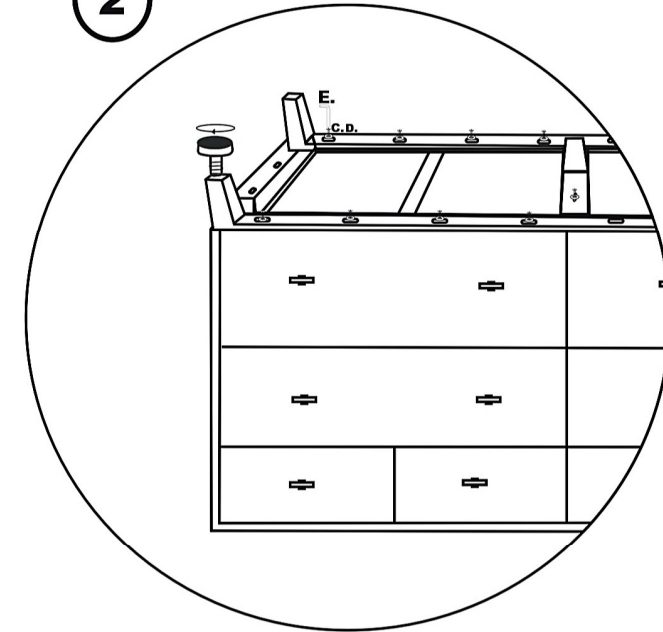
**A.**



**3**



**2**



**Assembled**

**Note : Please Assemble on a mat or carpet**