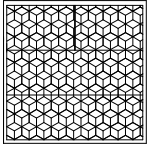
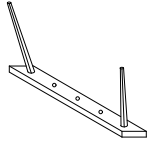


SWOON

TURNING CHEST OF DRAWERS 2 OVER 2



1 X CABINET TOP



2 X LEG



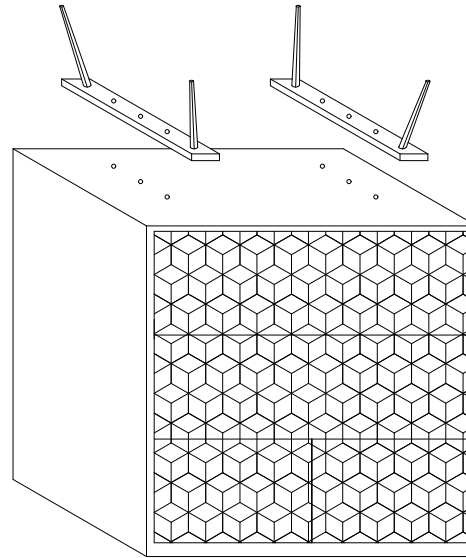
6 X ALLEN BOLT
6X35MM



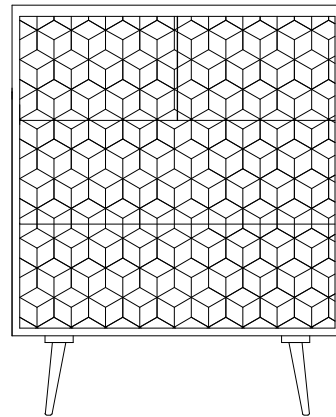
1 X ALLEN KEY
4MM



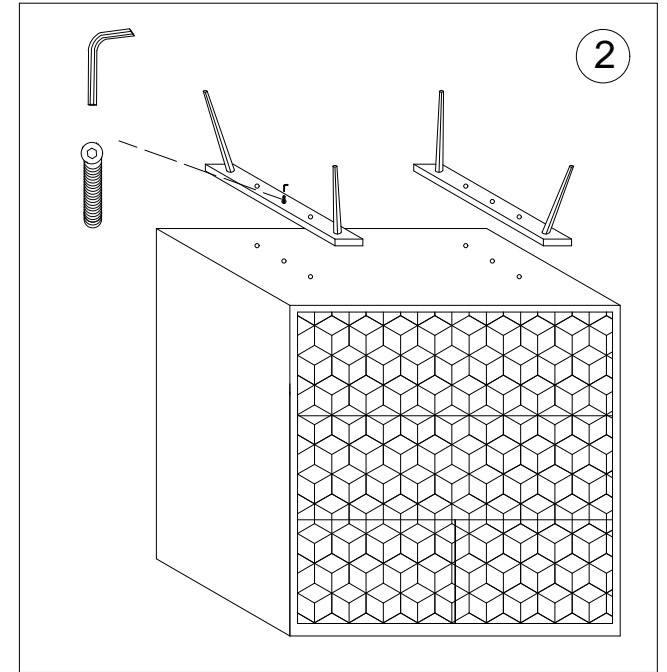
6 X WASHER



1



3



2

ASSEMBLED

NOTE : PLEASE ASSEMBLE ON A MAT OR CARPET