

**CHARLES
BENTLEY**

EST. 1860

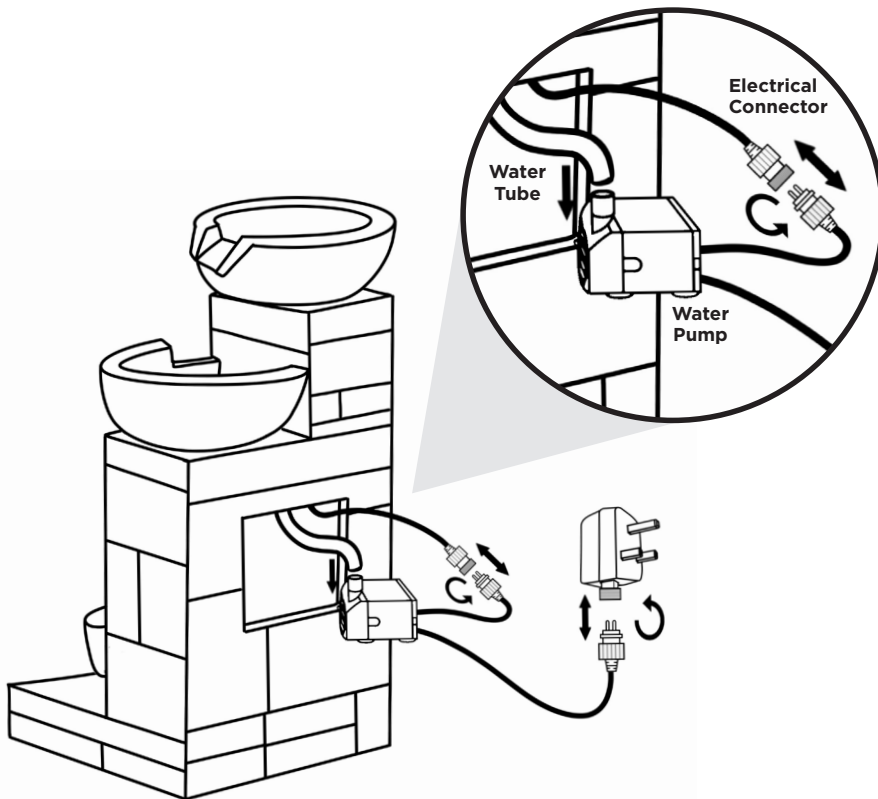


Rhine Water Feature

INSTRUCTION MANUAL

GETTING STARTED

1. Place your water feature on a flat surface.
2. Connect the water pump to the water tube.
3. Connect the electrical connector together.
4. Place the reservoir onto the base and fill with water.
5. Place the fountain on top of the reservoir and put the pump into the water. **NB:** The water level needs to be higher than the pump.
6. Make sure the water tube is properly connected to the water pump, and is not bent. **NB:** If the tube is bent this can cause a blockage, and will prevent water from being pumped through the system.
7. The concave edge of the fountain top should adhere to the convex part of the reservoir, making sure the electric wire is passed through the wire opening.
8. Plug your water feature in. Once switched on water will flow in the fountain after a few moments. **NB:** On first use, there may be air in the pump. It will take several minutes for all the air to escape.
9. Use the flow control valve to easily control the speed of water flowing through your water feature. **NB:** When set to *Low* no water will flow through the pump. **Make sure the power is switched off when adjusting the flow control.**



CARE INSTRUCTIONS

Please read and understand the following instructions before using your water feature.

Failure to follow the instructions, improper installation, adjustment, alteration or lack of maintenance can cause injury or property damage.

- Made from polyresin your water feature is fully weatherproof, as well as frost & UV-resistant.
- Contains LED lights which are non-replaceable.
- Power cable length: 184cm
- Outdoor plug measurements:
H7cm x W5cm x D8.5cm

SAFETY INFORMATION

- **DO NOT** move your water feature while in operation.
- **DO NOT** use in adverse weather conditions.
- **DO NOT** pump flammable liquids such as gasoline or fuel oil through the fountain pump.
- Always make sure that the water level covers the pump in order for the fountain to flow correctly.
- During operation, the area around the pump will be covered with water. Take care when handling the pump; **DO NOT** pull the pump out of the water by the power cord when it is running.
- Always make sure that the pump is switched off before removing it from the reservoir.

CLEANING & MAINTENANCE

- Clean your water feature with a damp cloth.
- **DO NOT** use chemicals or abrasive materials to clean your water feature.
- If, over time, the pump starts to lose power or stops working, check for a build-up of sediment or limescale at the bottom of the pump housing, and in the reservoir. Remove the blockage and any dirt and limescale which may have built up.
- The water pump can be cleaned by rinsing it under running water. Use a small pipe cleaner or toothbrush to ensure all vents are thoroughly cleaned.
- To avoid limescale build up change the water in your water feature regularly and keep the water clean. We recommend using distilled water to prevent mineral build-up.

WINTER STORAGE

It is important to note that all materials used are suitable for outdoor use, however, if you wish to leave your water feature outside during the winter months you will need to remove the pump and store this inside.

During the winter months make sure your water feature is completely emptied of all water to prevent any water from freezing and expanding which can lead to damage.



CHARLES
BENTLEY

EST. 1860

Treat your home to something special!

Bring comfort, style and relaxation to your home. From elegant outdoor dining to beautiful lounge sets and casual everyday furniture - we help you create your dream indoor & outdoor space.

For inspirational, elegant, and stylish home and garden furniture ideas **visit [CharlesBentley.com](https://www.charlesbentley.com) today!**



GLWATERFEAT13

[charlesbentley.com](https://www.charlesbentley.com)

Charles Bentley & Son Ltd. Loughborough, LE11 5TP, UK