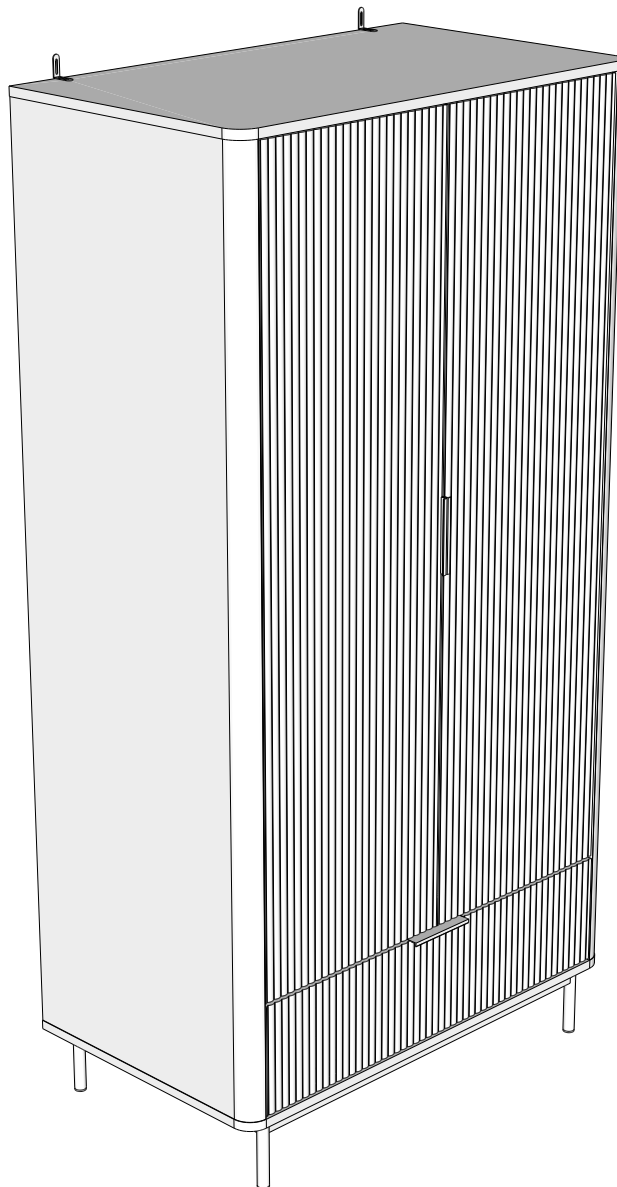


# NEXT

## EMILIE DOUBLE WARDROBE G65976 Assembly instructions

**Actual product size**  
H190 x W95 x D56 cm



### Need Help ?

With: Assembly instruction  
Missing or damaged parts

**IMPORTANT - RETAIN FOR FUTURE REFERENCE**

**CALL: 0333 777 8999**

### BEFORE YOU START

#### Number of people required to assemble

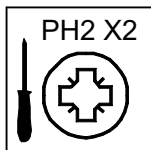
Two people are required to assemble this item



**Time to assemble : 30 minutes**



#### Tools required



not supplied

#### Do's

We suggest you spend a short time reading through this leaflet before you start.

When you are ready to start, make sure that you have the right tools and plenty of space.

Unwrap all packaging materials and place the components on a clean surface to protect it from damage, We recommend that the packaging is used to protect the surfaces during assembly.

Carefully check that you have all the parts before beginning assembly.

Due to the size of this product we recommend that it is assembled in the room intended for use.

Ensure the product is fully assembled as illustrated and all fixings fully tightened before use.

Wipe occasionally with a soft cloth slightly dampened with water. Then buff with a dry clean soft cloth.

Wood will mellow and change colour over time, we recommend that ornaments and items placed on the surface are moved regularly for the first few months to prevent uneven mellowing.

#### Don'ts

Do not drag or pull your furniture.

Do not rub or scrub the surface when cleaning.

Do not use silicone based furniture polish. Silicone in furniture polishes can break down the finish.

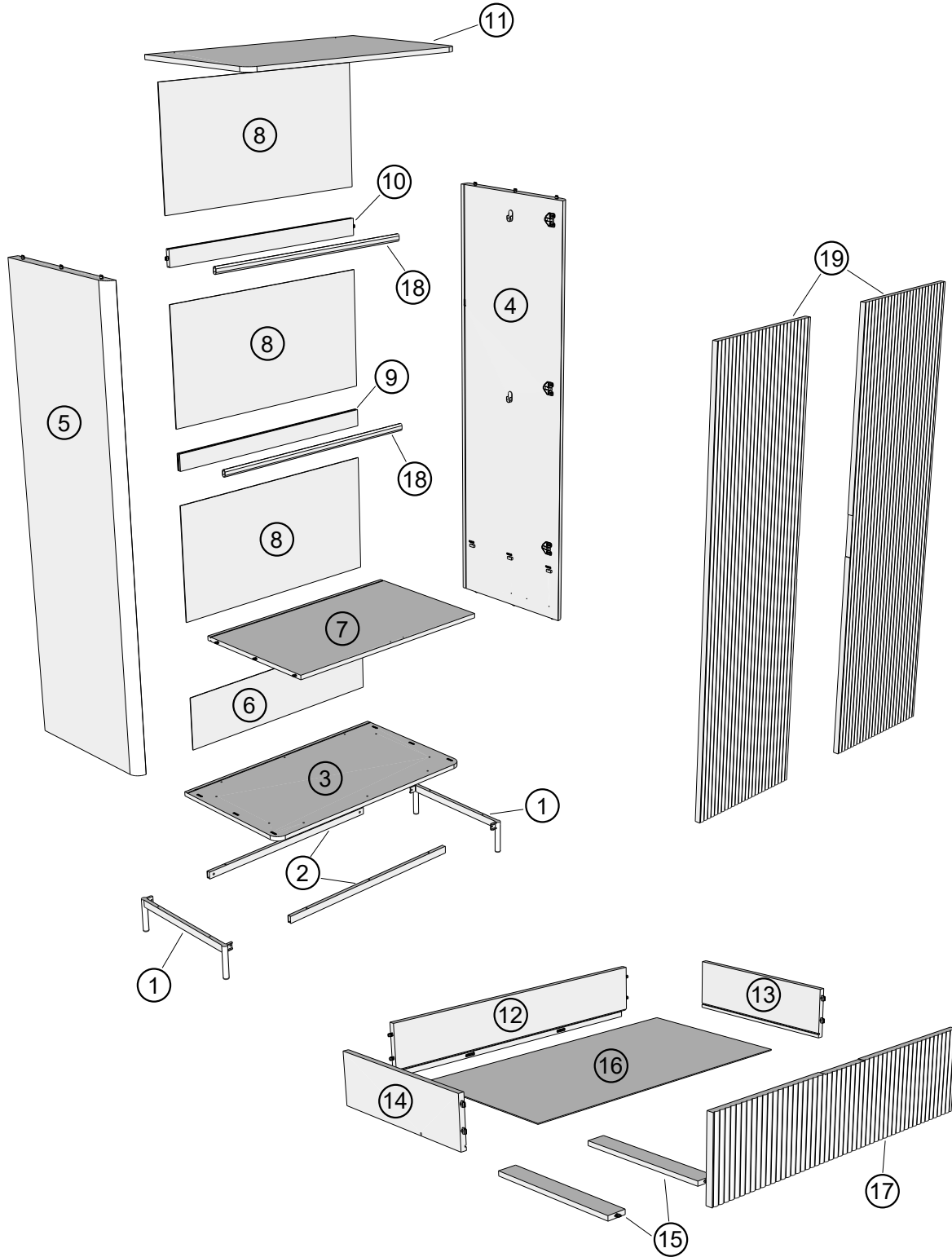
Never allow any kind of liquid to remain on your furniture.  
Absorption can cause wood to warp or finishes to de-laminate.

Do not place hot items (e.g. hot drinks) directly on to the wood surface. Please make sure you use a placemat or coaster.

# NEXT

## EMILIE DOUBLE WARDROBE G65976 Assembly instructions

### GETTING TO KNOW YOUR PRODUCT



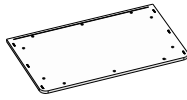
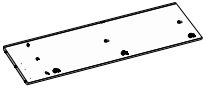
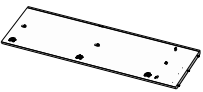
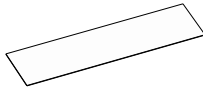
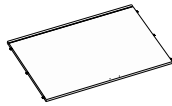
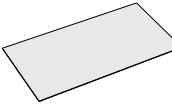


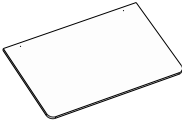







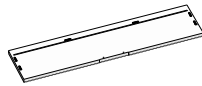

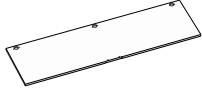
# NEXT

## EMILIE DOUBLE WARDROBE

G65976  
Assembly instructions

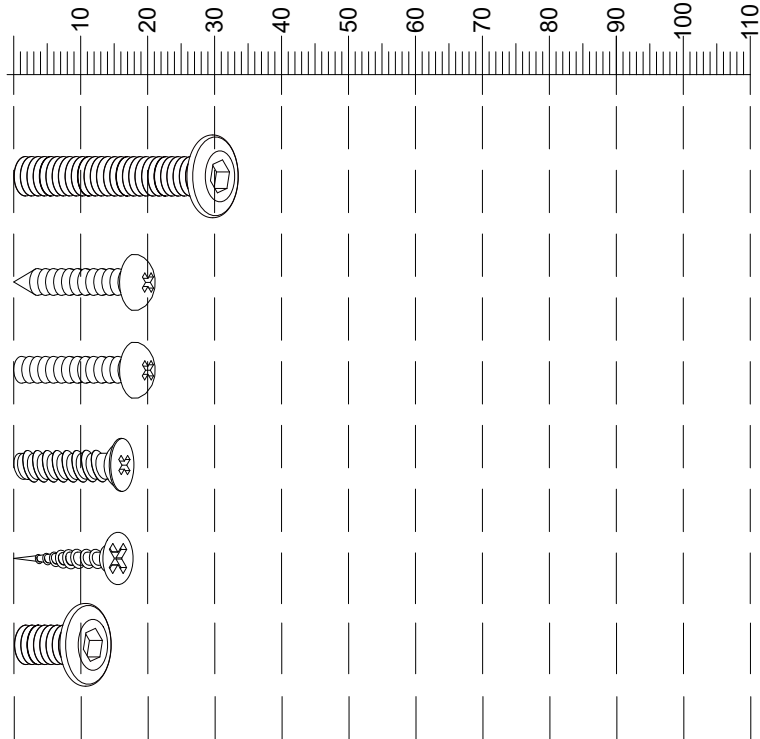
Components supplied. Please use this guide if you require replacement parts.

Ref	Dimensions	Visual	Qty	Ctn
1	14x52cm		2	1
2	3x81cm		2	1
3	56x95cm		1	1
4	56x172.5cm		1	3
5	56x172.5cm		1	3
6	22x87.5cm		1	2
7	53.5x87cm		1	1
8	46.5x87.5cm		3	2
9	6.5x87.5cm		1	1
10	6.5x87cm		1	1
11	56x95cm		1	1

Ref	Dimensions	Visual	Qty	Ctn
12	14.5x82.5cm		1	2
13	14x45cm		1	1
14	14x45cm		1	1
15	6x43cm		2	1
16	44x83.5cm		1	2
17	21.5x86.5cm		1	2
18	3x86cm		2	1
19	43x150cm		2	2

### Fixtures and fittings supplied (actual size)

Ref	Dimensions	Qty	Spare Qty
V68	Ø6 x 30mm	10	2
S41	Ø4 x 15mm	2	1
S42	Ø4 x 15mm	4	1
U139	Ø4.5 x 15mm	18	2
U143	Ø4 x 15mm	12	2
V36	Ø6 x 10mm	4	1



### Fixtures and fittings supplied ( not to scale)

Ref	Dimensions	Qty	Spare Qty	Visual
N1	N/A	2	N/A	
C11	N/A	6	N/A	
M11	N/A	2	N/A	
T38	N/A	16	2	
R	N/A	1	N/A	
L	N/A	1	N/A	
T4	N/A	2	N/A	

### Fixtures and fittings supplied ( not to scale)

Ref	Dimensions	Qty	Spare Qty	Visual
E39	N/A	3	N/A	

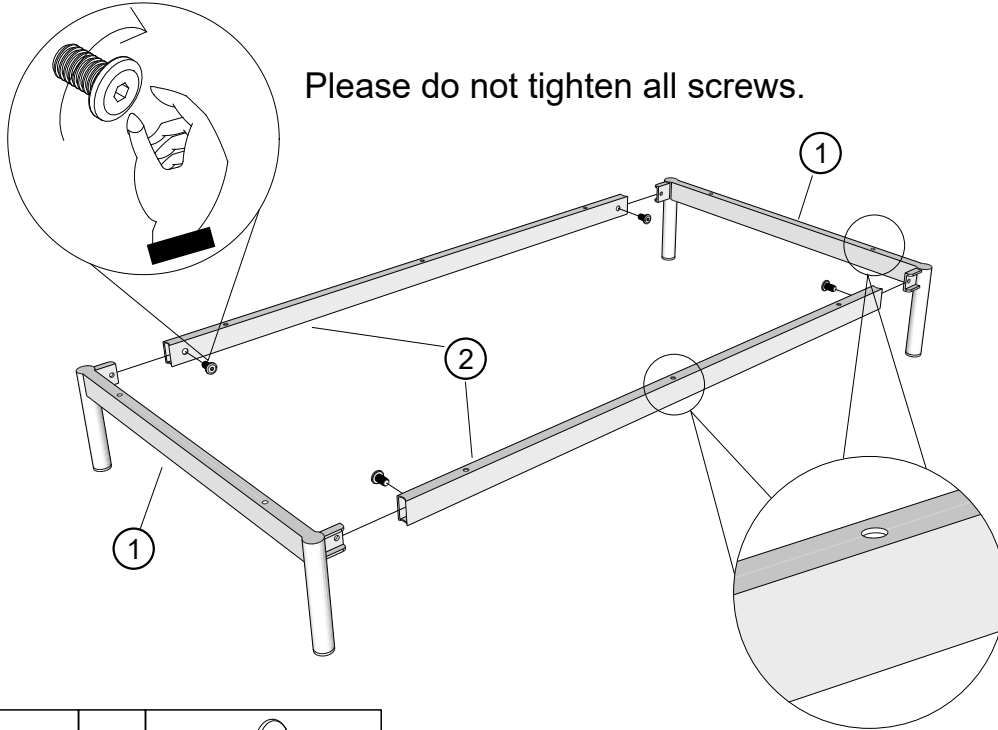
# NEXT

## EMILIE DOUBLE WARDROBE

G65976

Assembly instructions

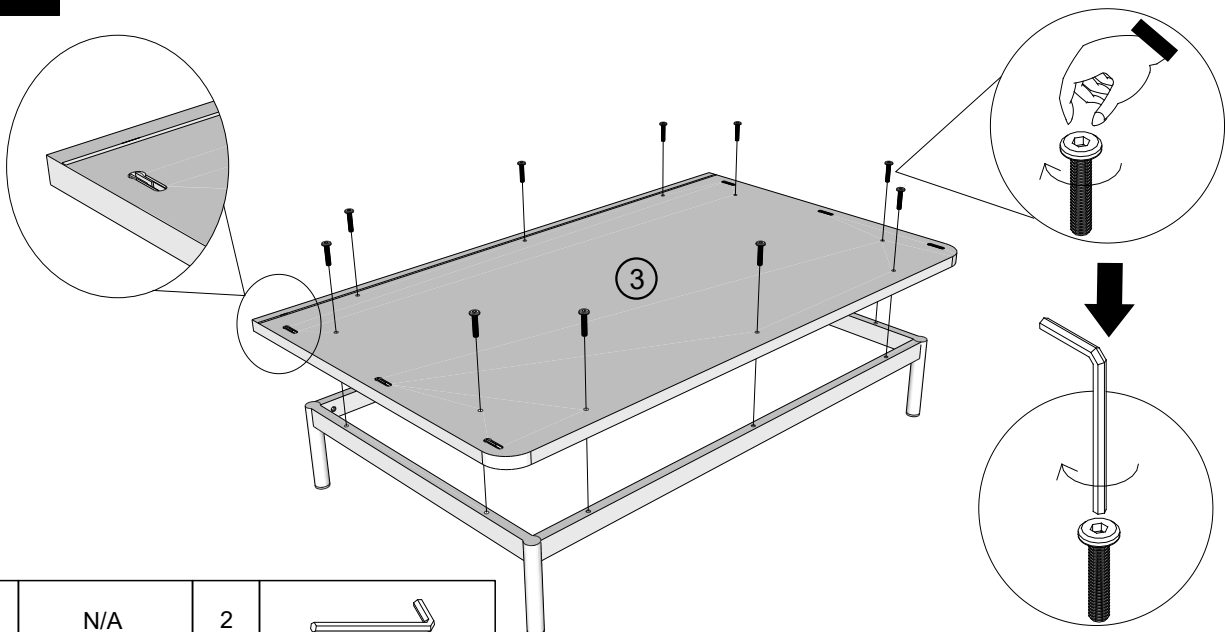
1





Please do not tighten all screws.

V36	Ø6 x 10mm	4	
-----	-----------	---	---

2

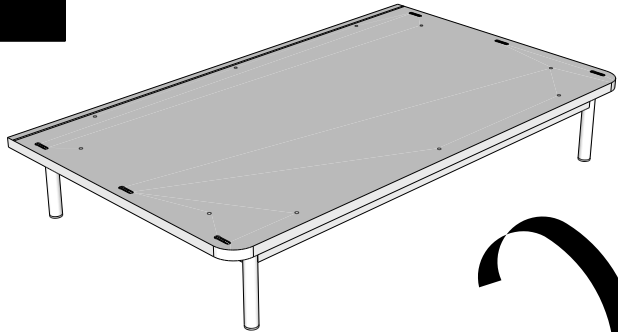


T4	N/A	2	
V68	Ø6 x 30mm	10	

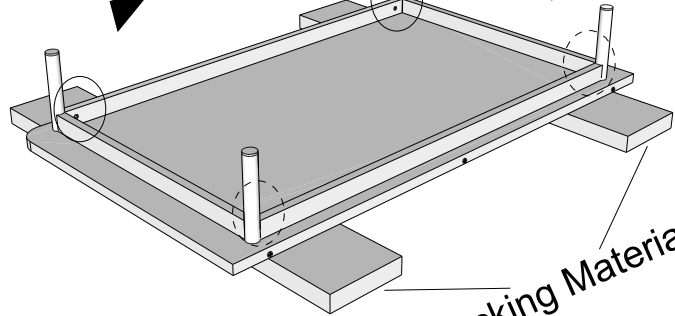
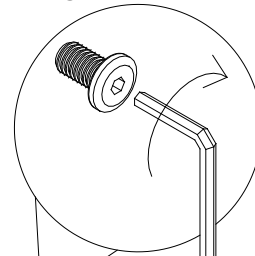
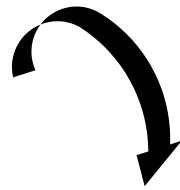
# NEXT

## EMILIE DOUBLE WARDROBE G65976 Assembly instructions

3



Please tighten all screws.



Packing Materials

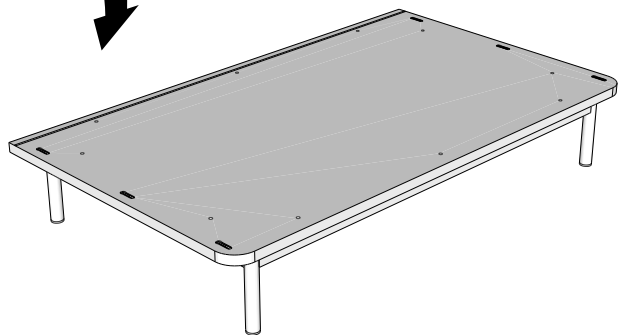
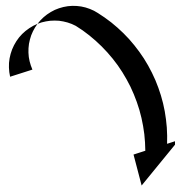
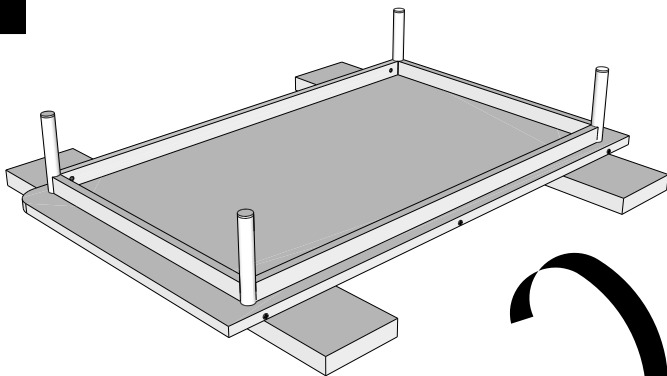
T4

N/A

2



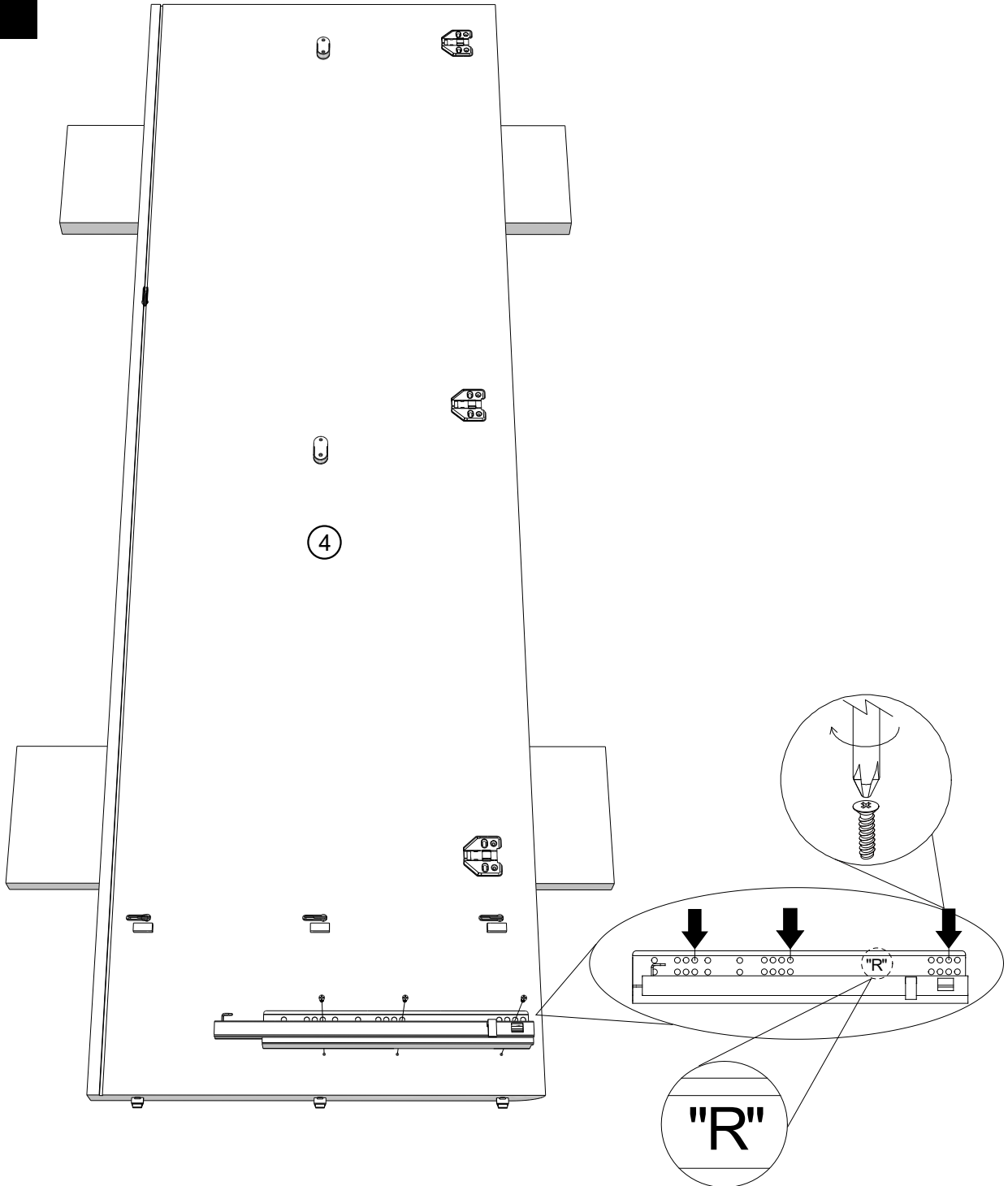
4



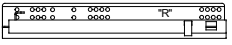


# NEXT

## EMILIE DOUBLE WARDROBE G65976 Assembly instructions

5

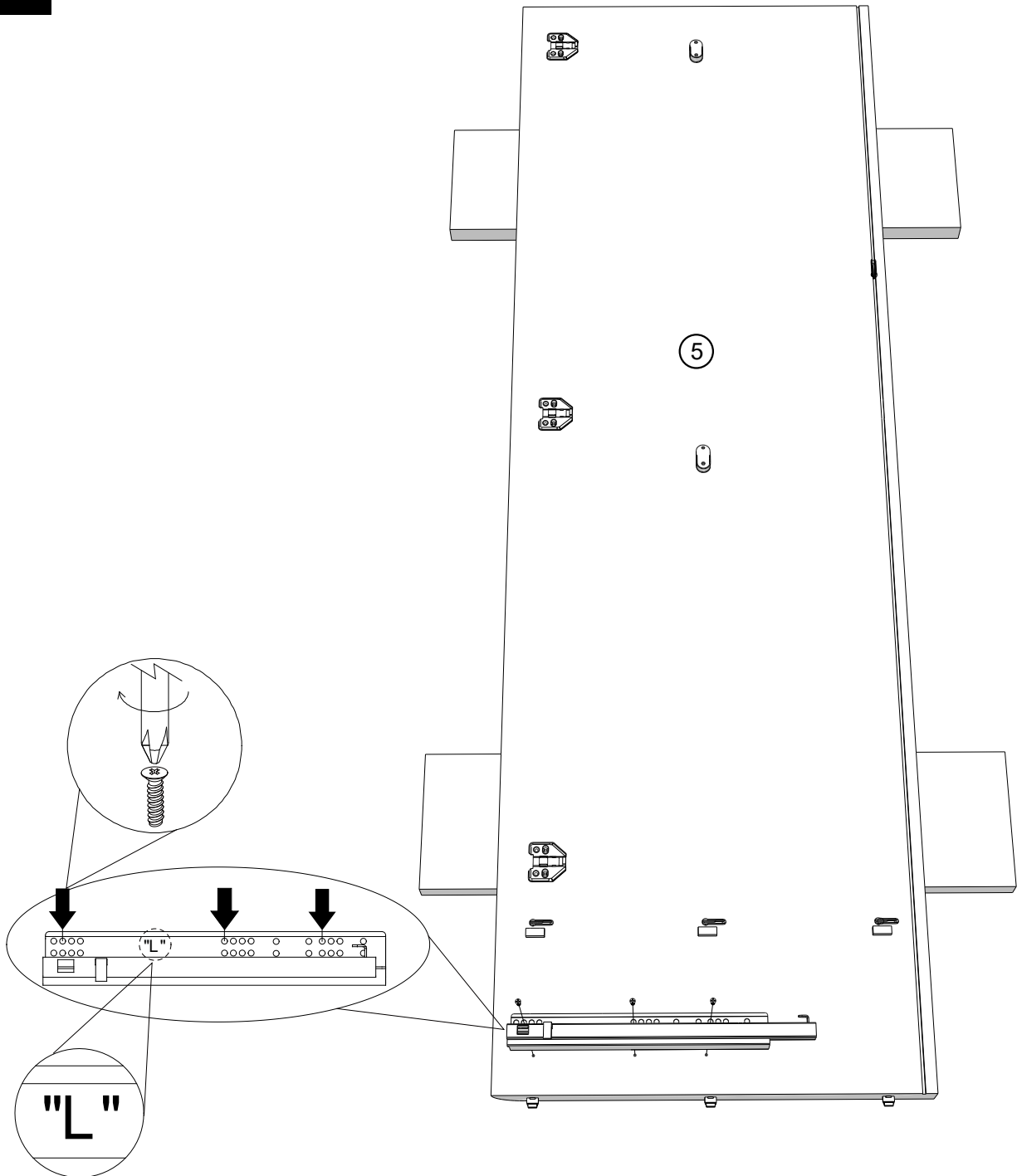


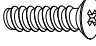

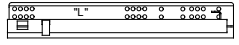
U139	Ø4.5 x 15mm	3	  not supplied
R	N/A	1	

# NEXT

## EMILIE DOUBLE WARDROBE G65976 Assembly instructions

6

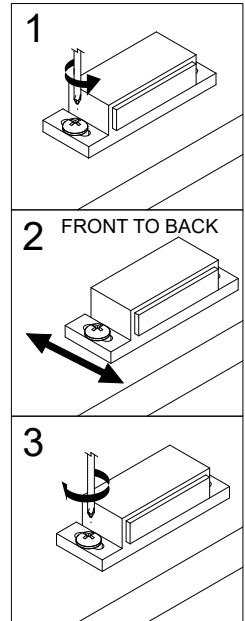
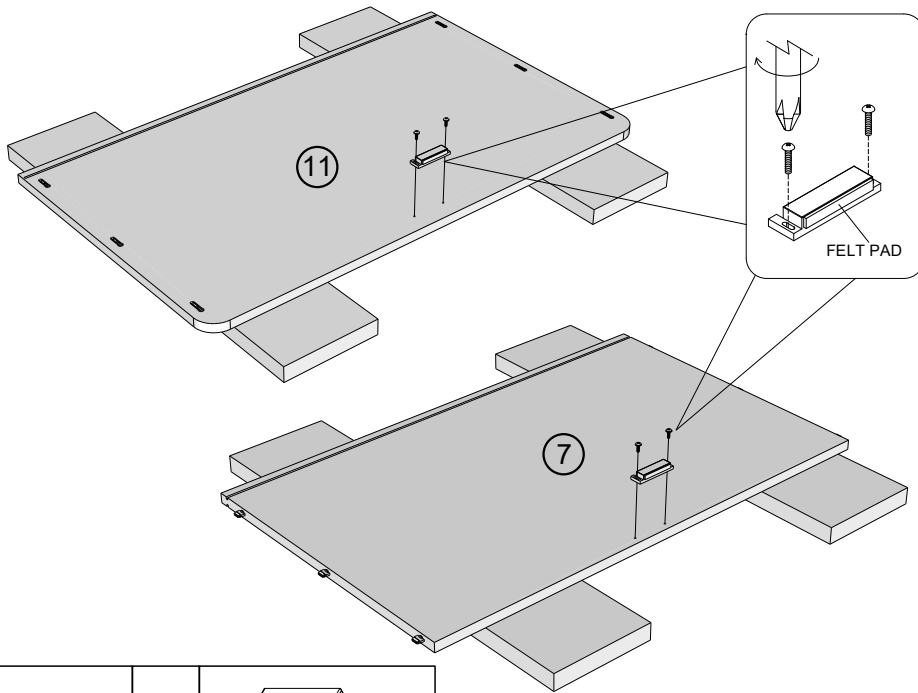



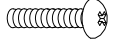

U139	Ø4.5 x 15mm	3	  not supplied
L	N/A	1	

# NEXT

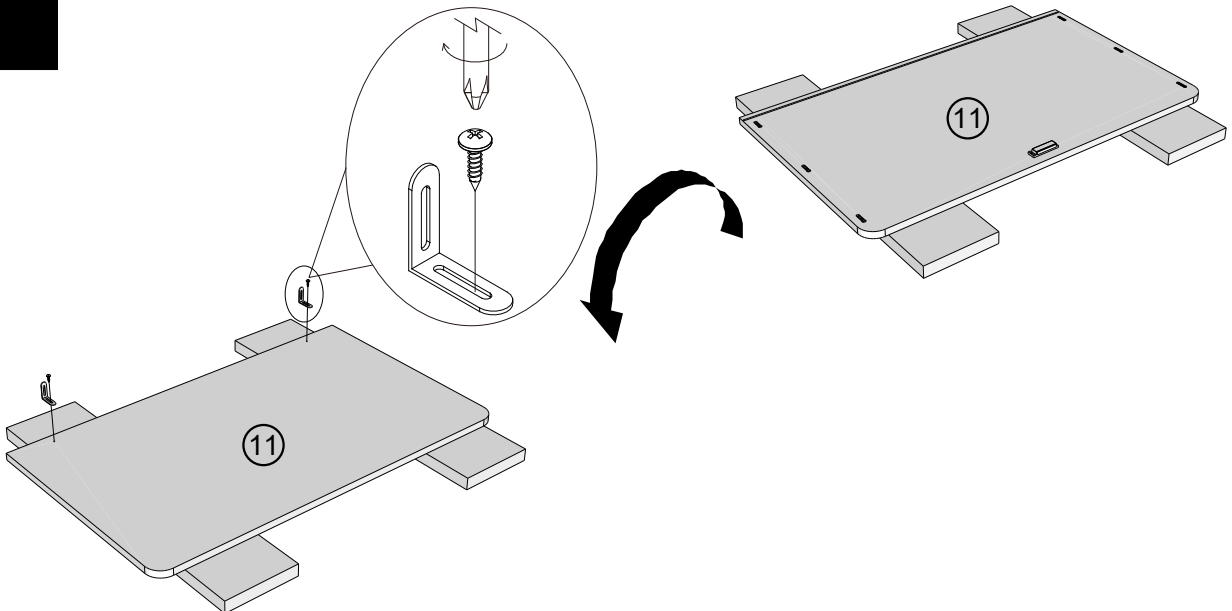
## EMILIE DOUBLE WARDROBE G65976 Assembly instructions




7



M11	N/A	2	
S42	Ø4 x 15mm	4	 

8



N1	N/A	2	
S41	Ø4 x 15mm	2	 

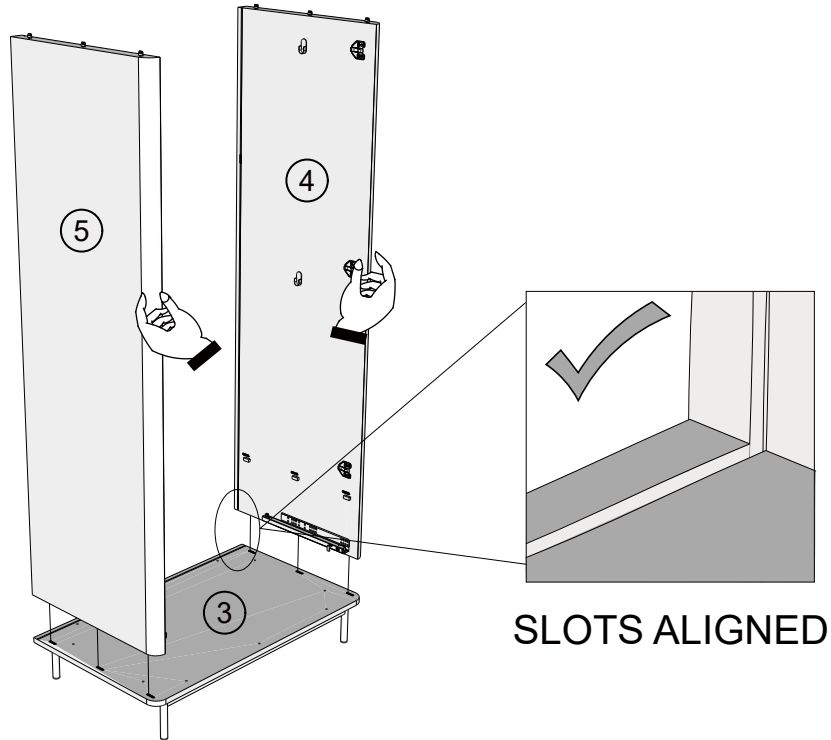
# NEXT

## EMILIE DOUBLE WARDROBE

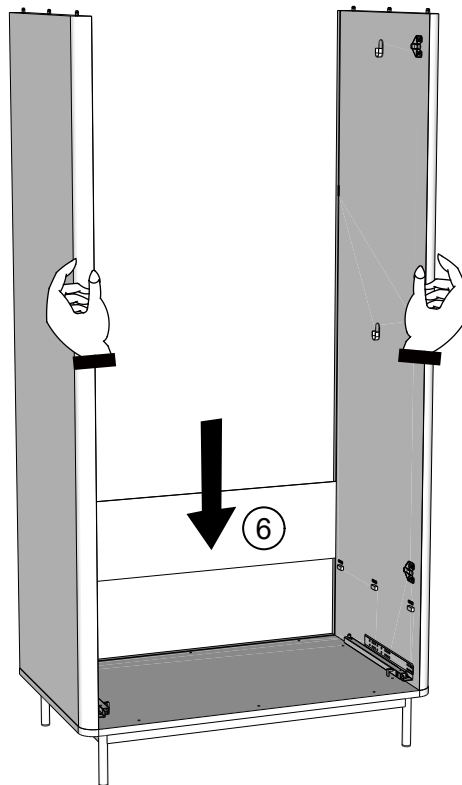
G65976

Assembly instructions

9



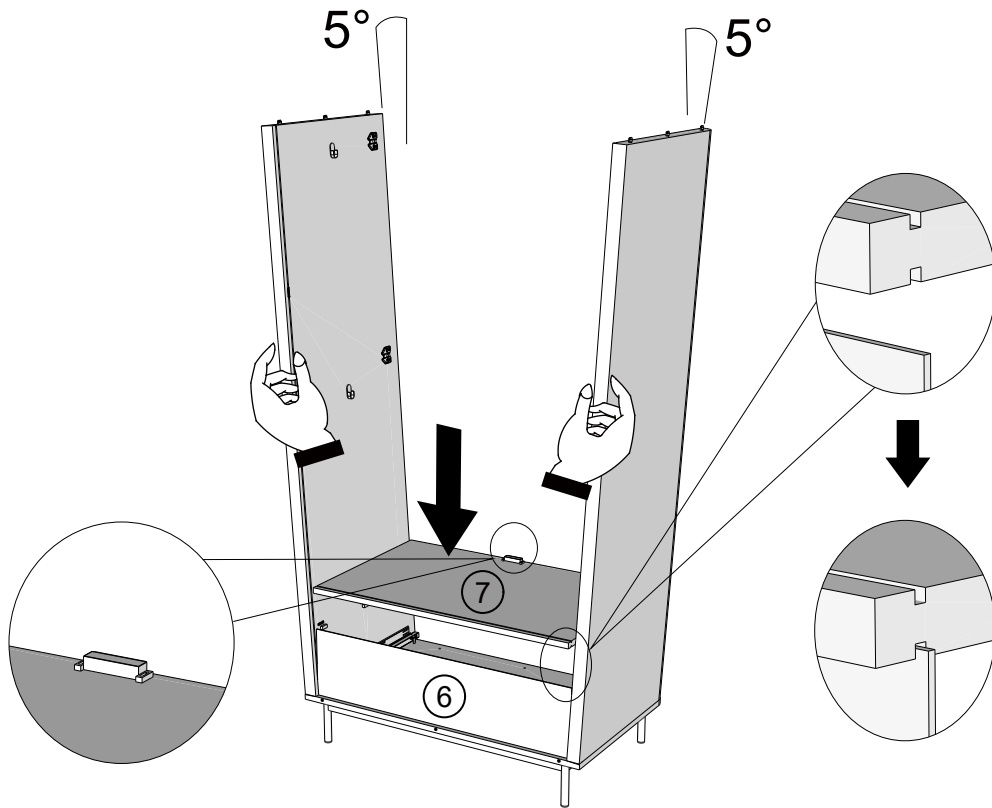
10



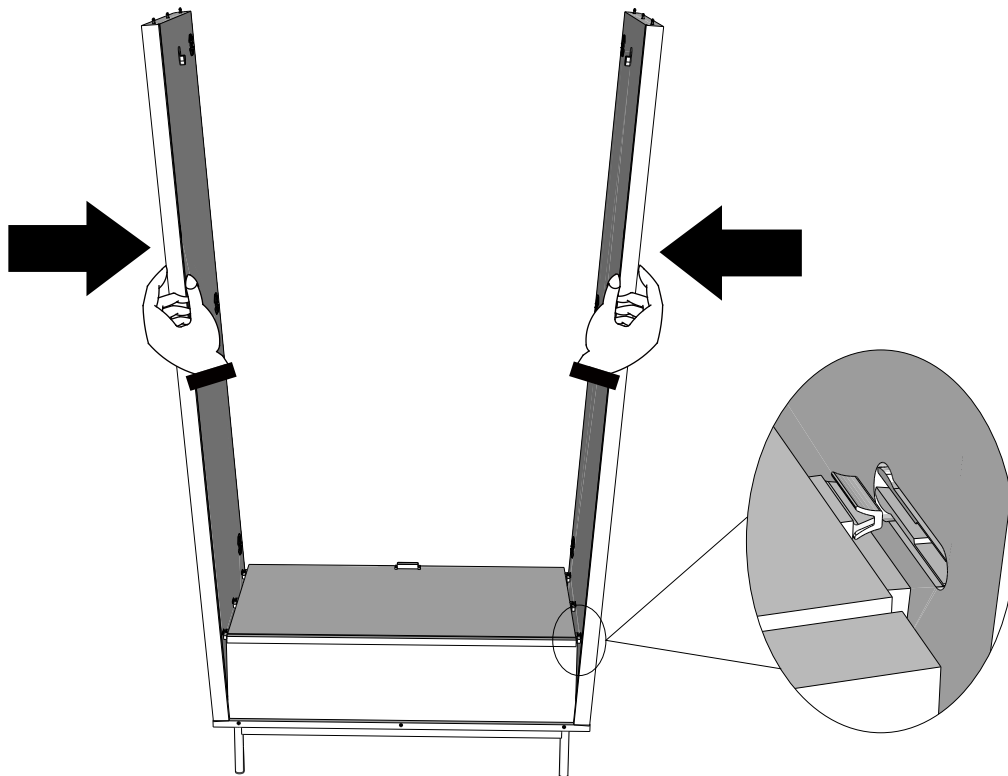
# NEXT

## EMILIE DOUBLE WARDROBE G65976 Assembly instructions

11



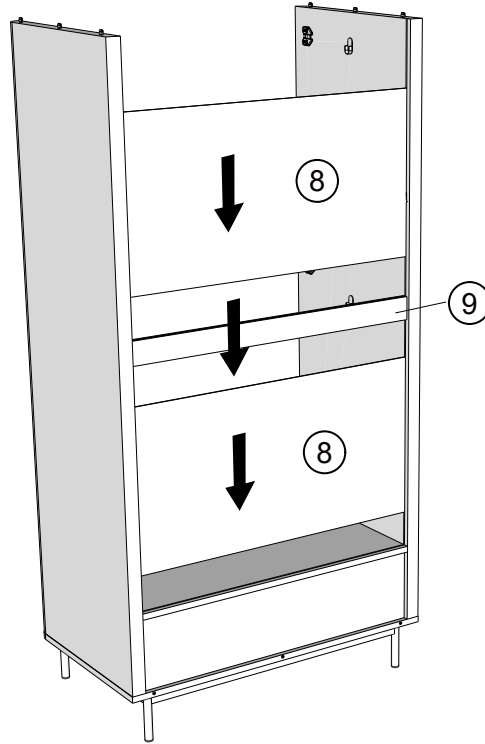
12



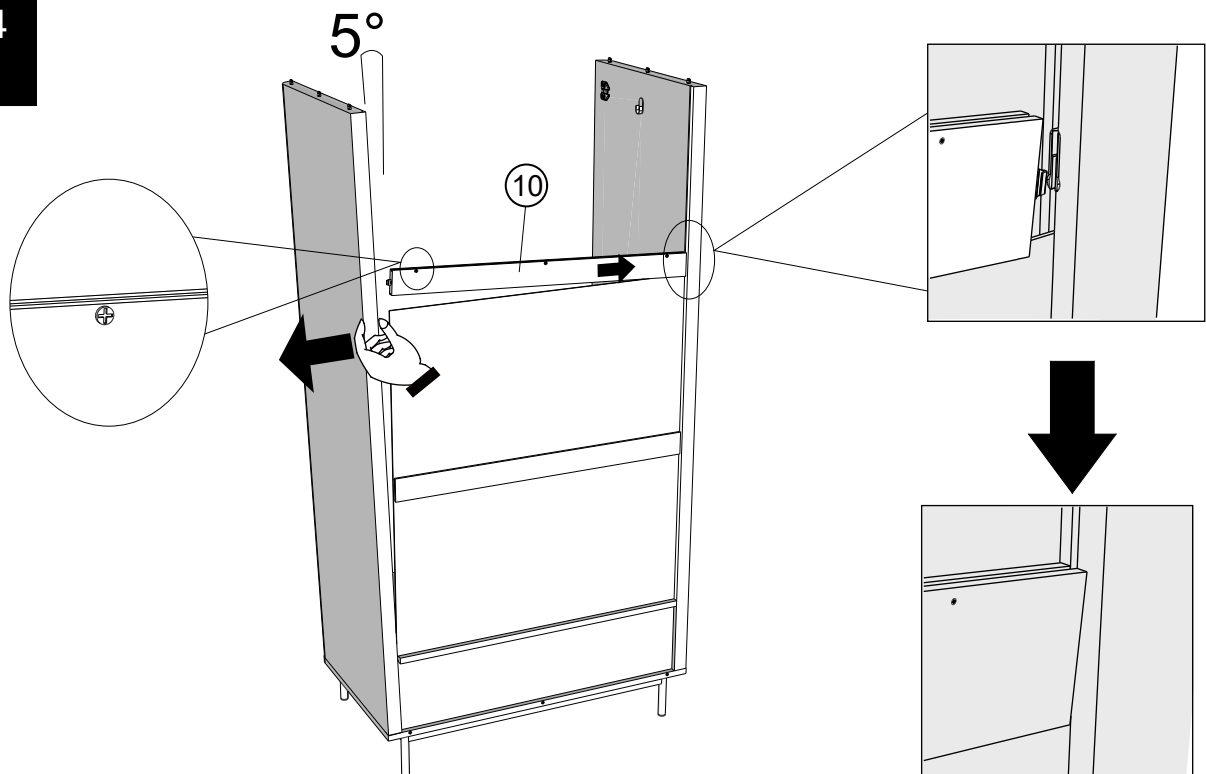
# NEXT

## EMILIE DOUBLE WARDROBE G65976 Assembly instructions

13



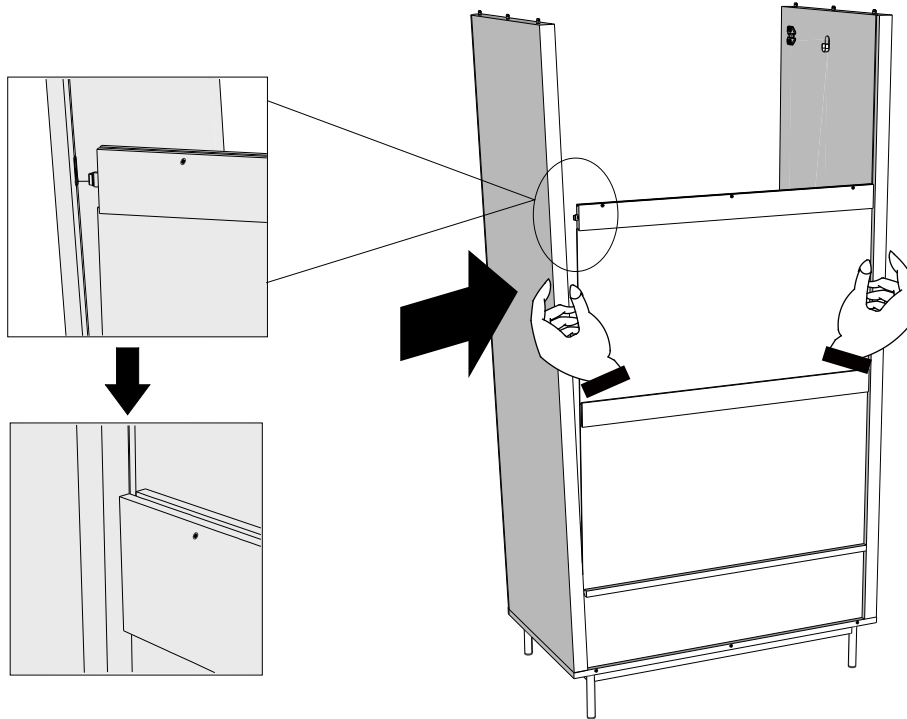
14



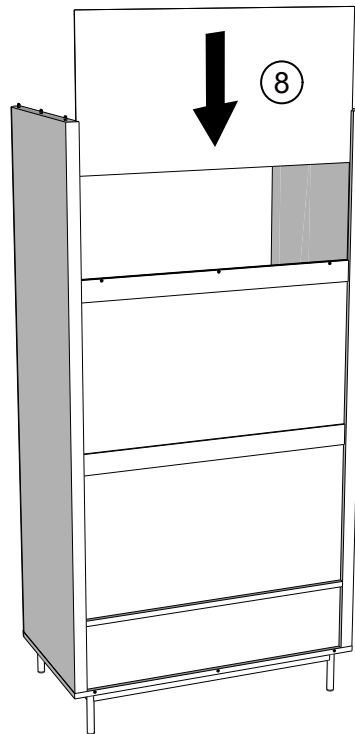
# NEXT

## EMILIE DOUBLE WARDROBE G65976 Assembly instructions

15



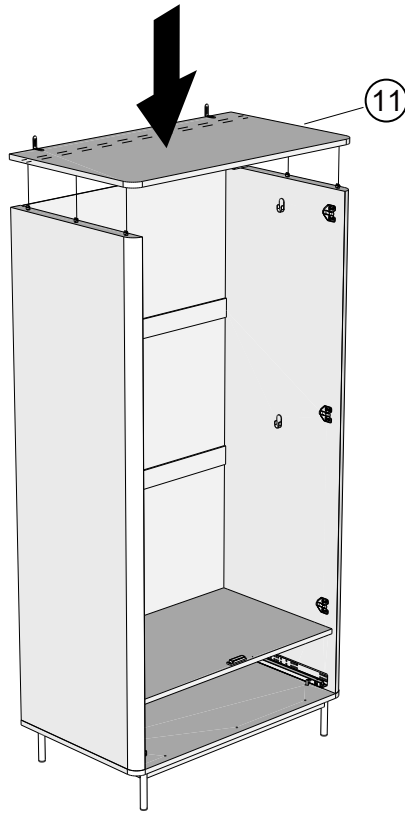
16



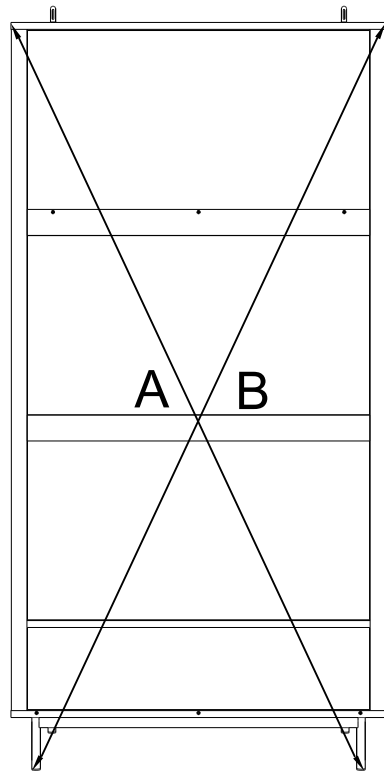
# NEXT

## EMILIE DOUBLE WARDROBE G65976 Assembly instructions

17



18





$A=B$

# NEXT

## EMILIE DOUBLE WARDROBE G65976 Assembly instructions

19



T38	N/A	16		 not supplied
-----	-----	----	---	---

# NEXT

## EMILIE DOUBLE WARDROBE

G65976

Assembly instructions

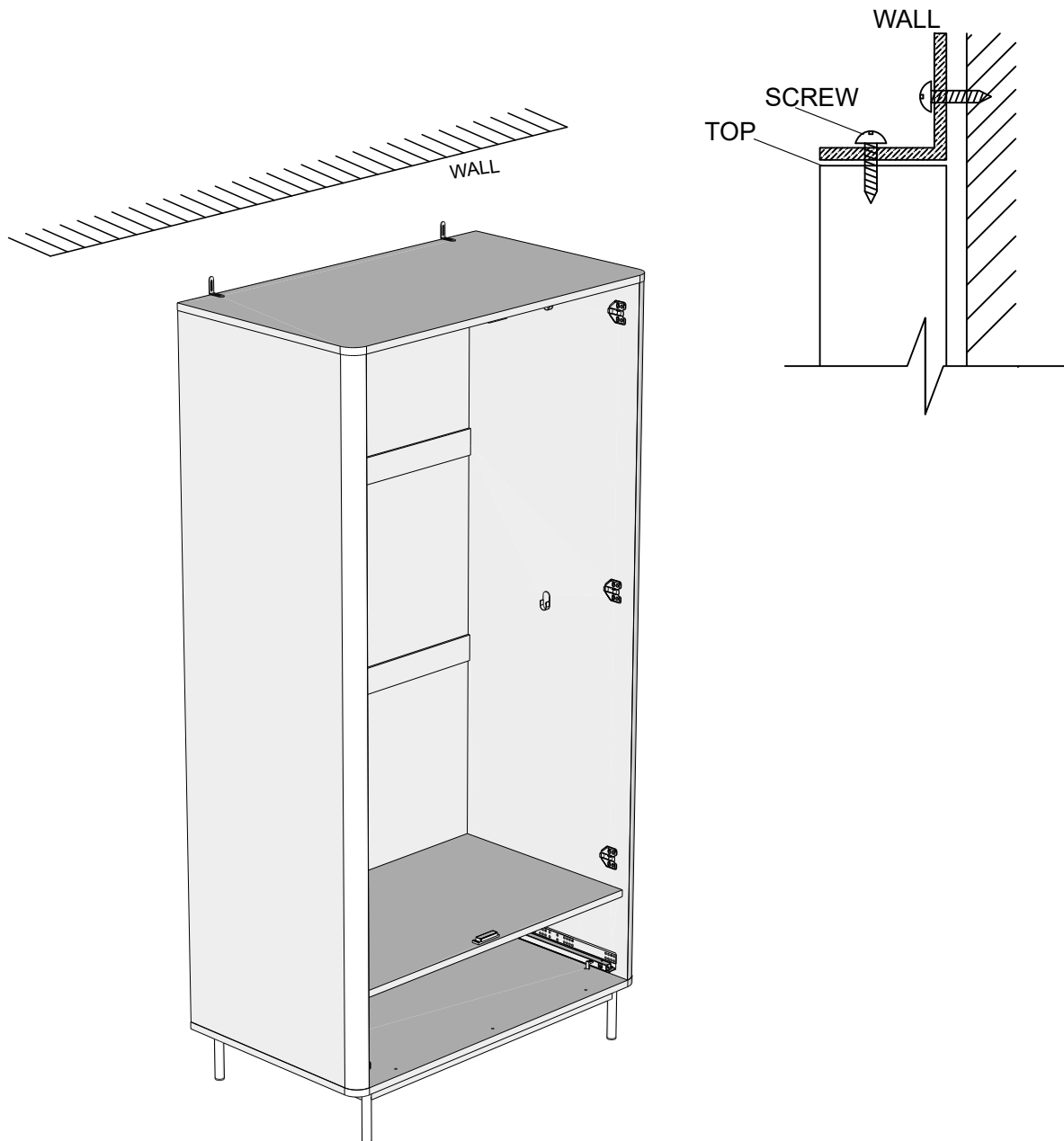
20

We recommend the use of the wall attachment bracket/strap provided for safety reasons. Move unit into desired position. Secure the 2X"L" metal brackets to the wall with an appropriate screw and wall plug for your wall type (not provided).

Warning: Always ensure intended wall area to be drilled is free from hidden electrical wires, water and gas pipes.

NB: Wall fixings are not included-Please source suitable fixing for your wall type.

If in doubt please consult a qualified trades person.



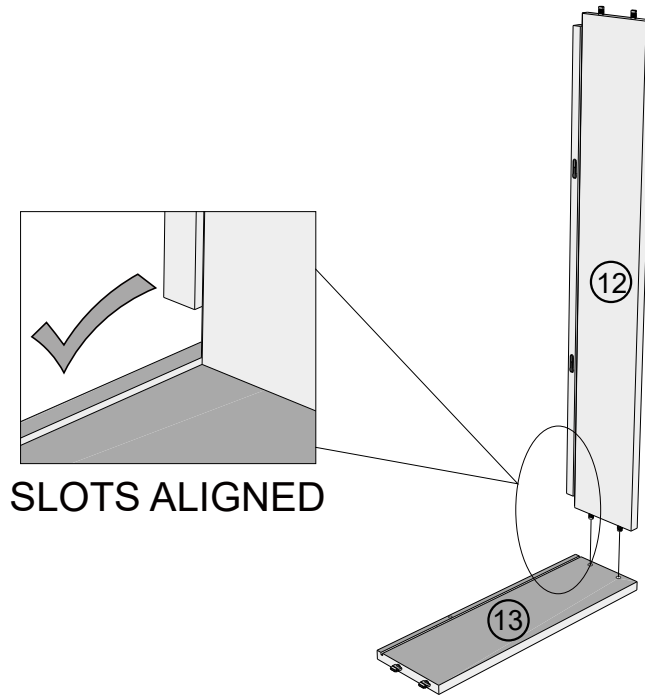
# NEXT

## EMILIE DOUBLE WARDROBE

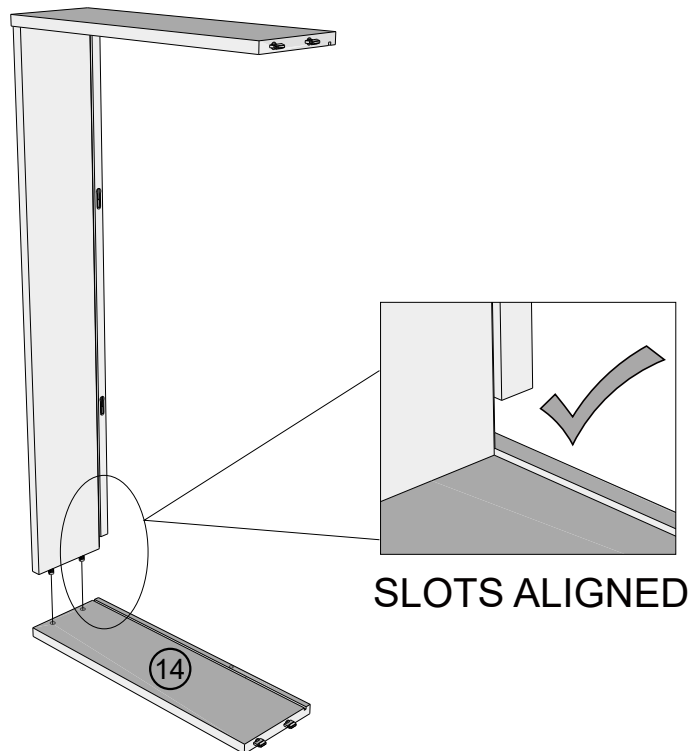
G65976

Assembly instructions

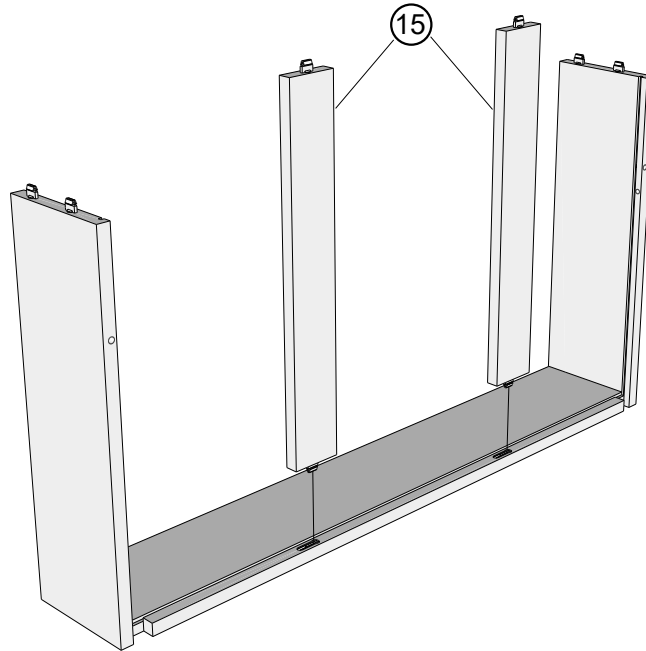
21



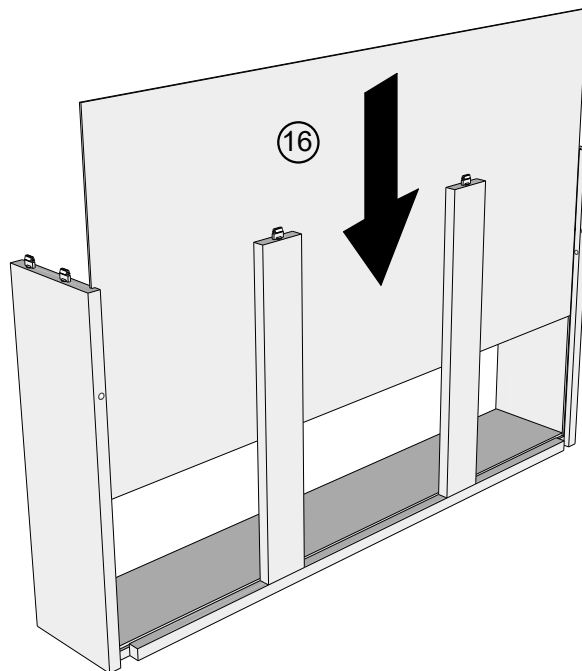
22



23

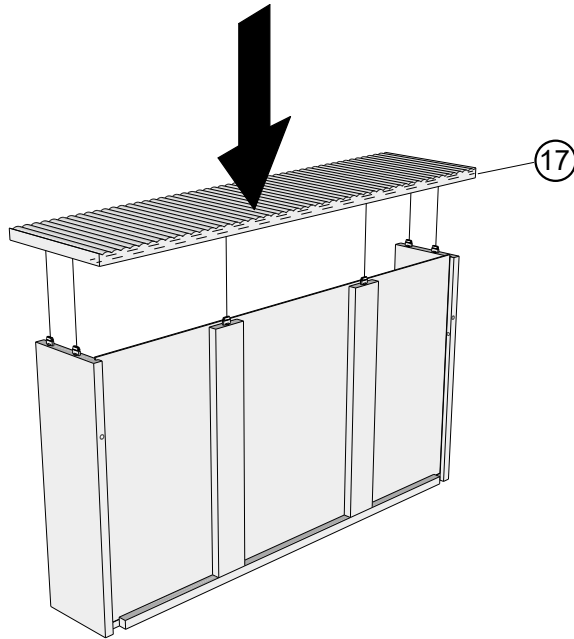


24

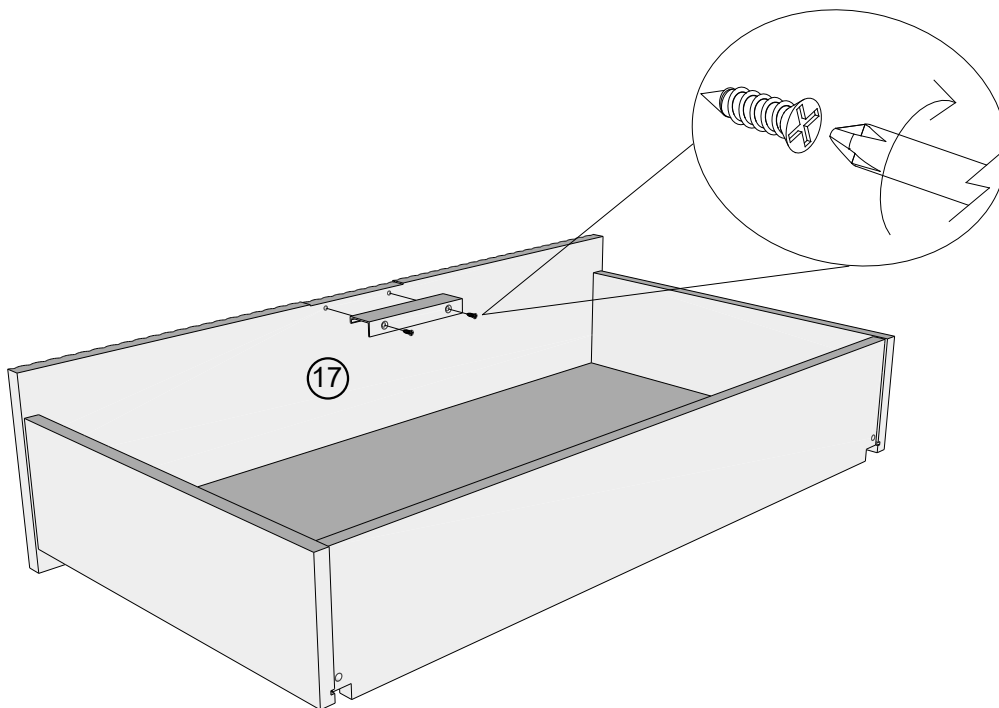


25

Note: Drawer will be permanently assembled once panel ⑰ is fitted.



26

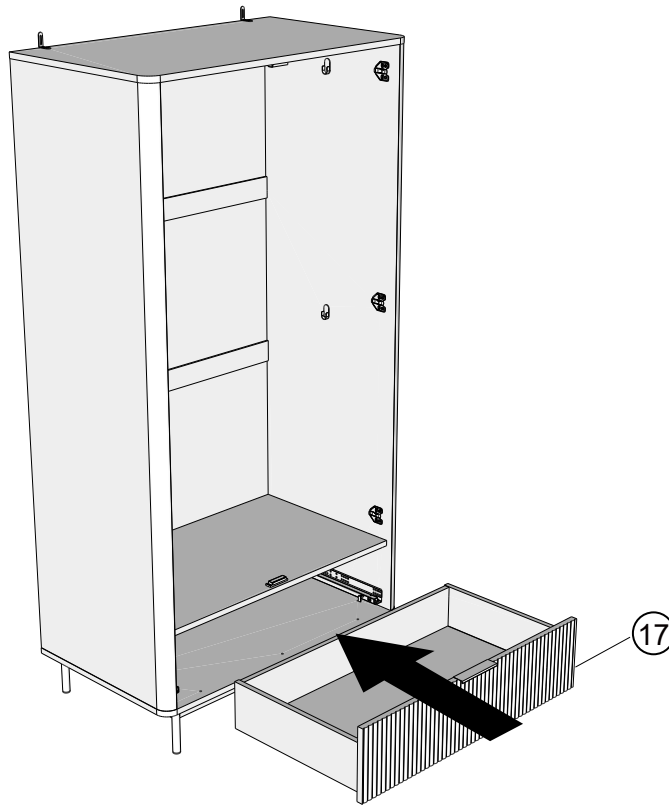


E39	N/A	1		 not supplied
-----	-----	---	---	---

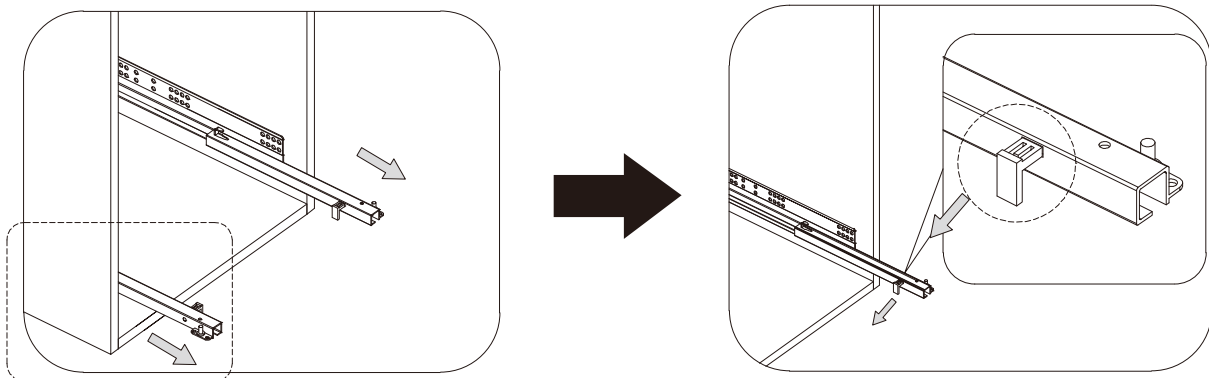
# NEXT

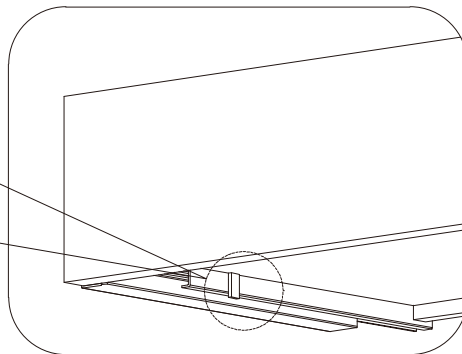
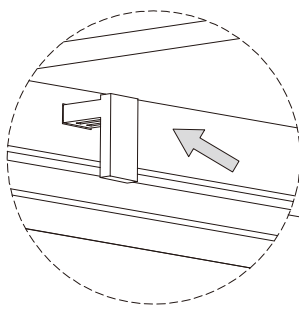
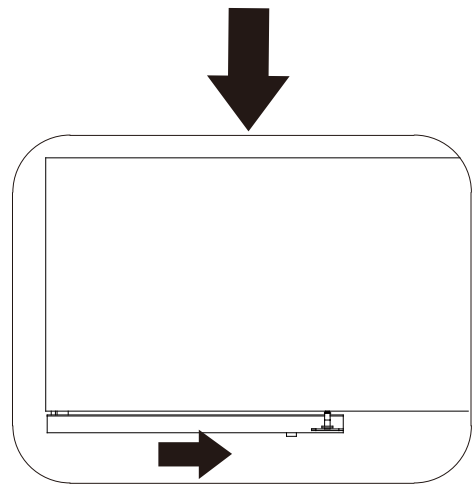
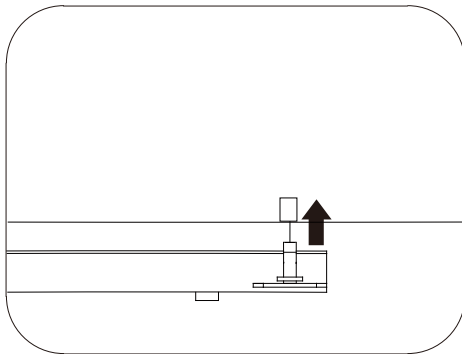
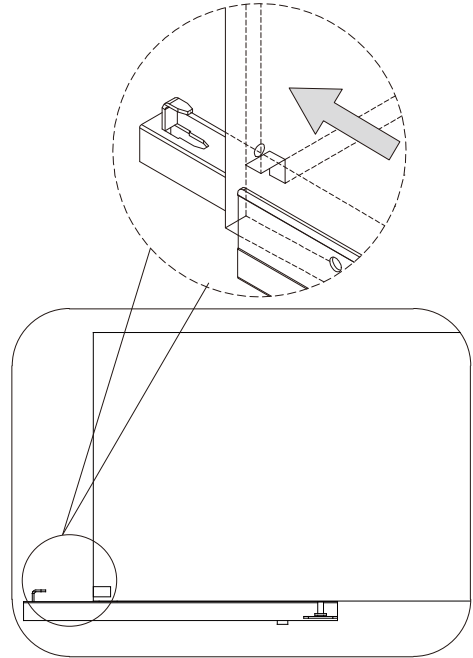
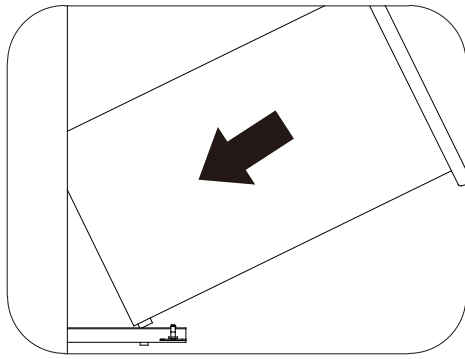
## EMILIE DOUBLE WARDROBE G65976 Assembly instructions

27

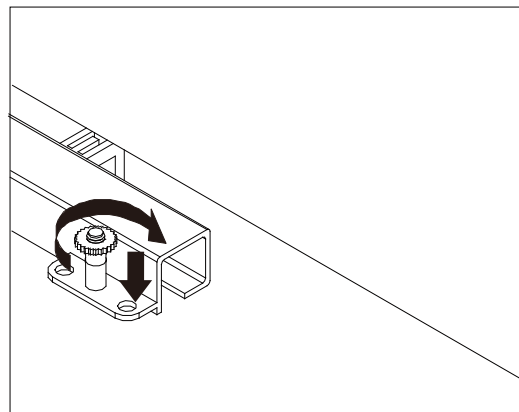
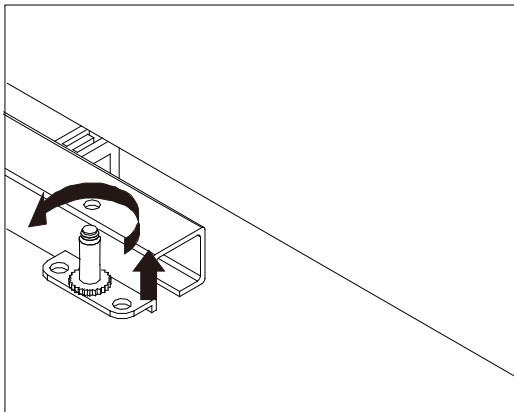
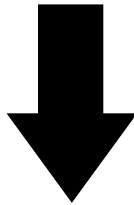
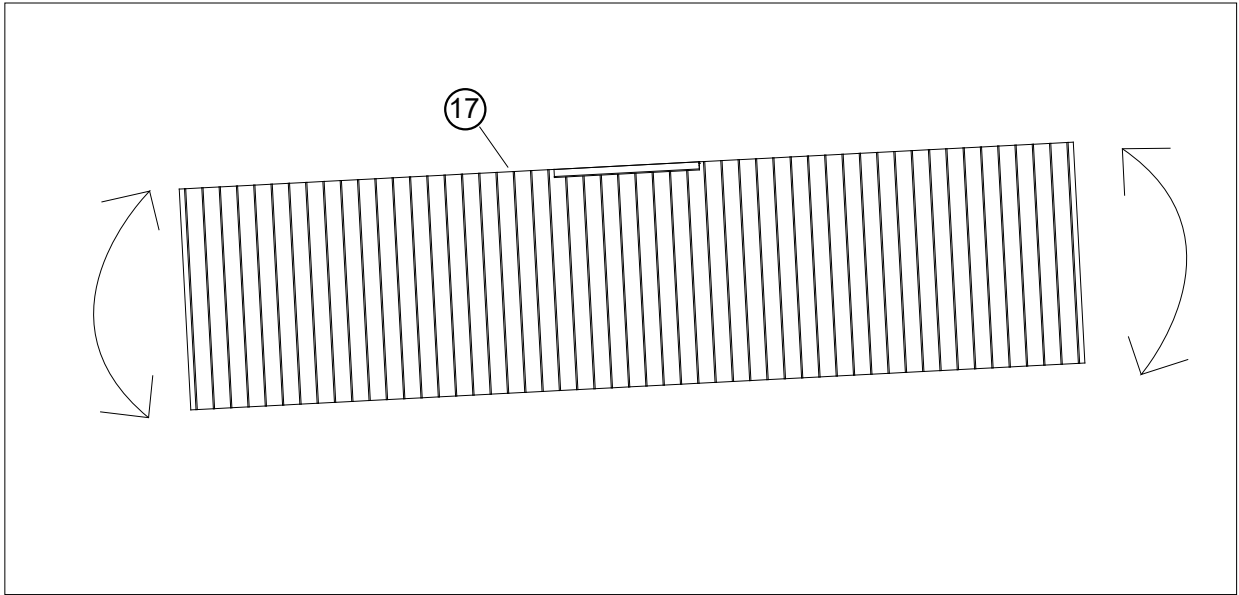


28





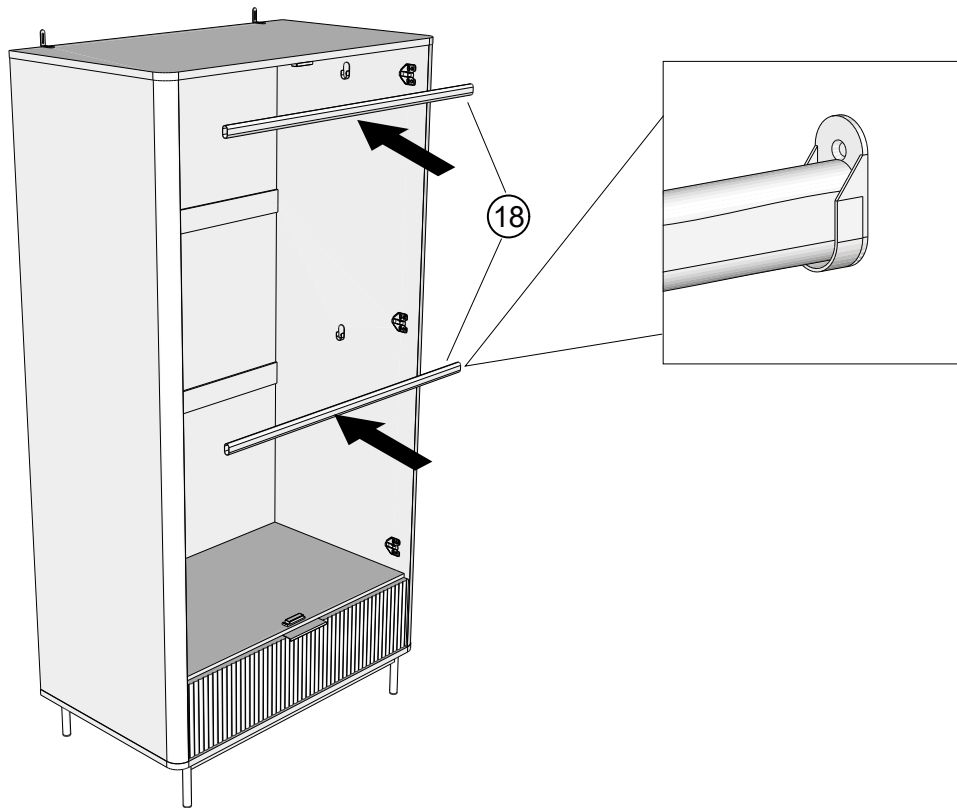
30



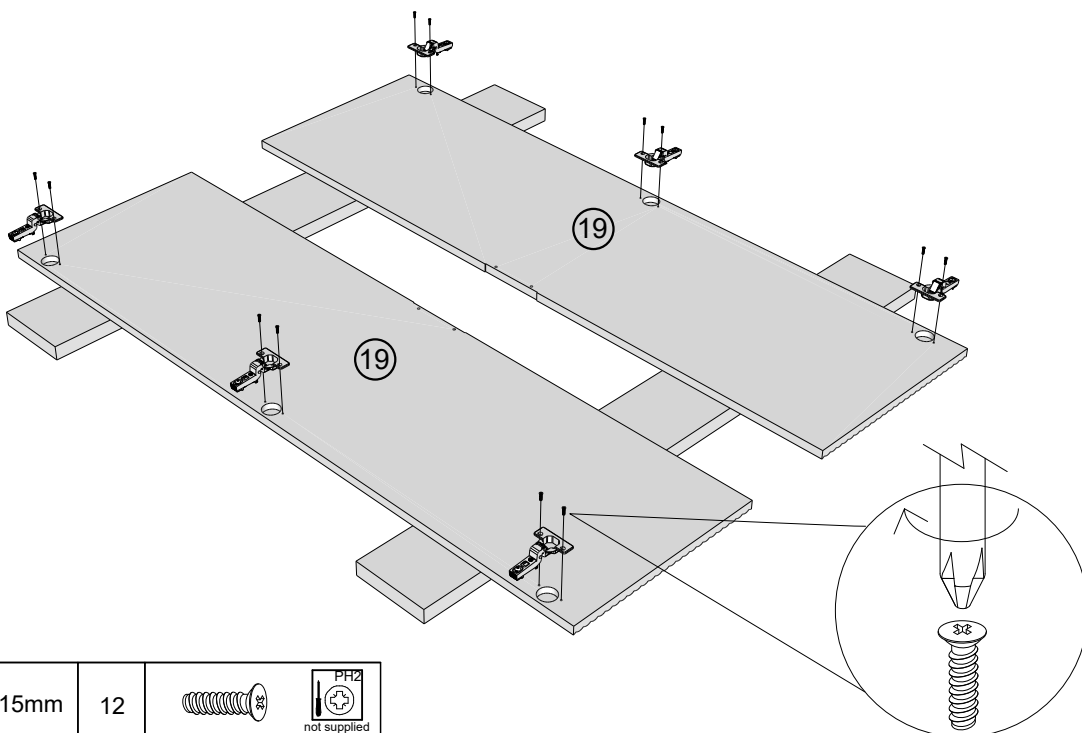
# NEXT




## EMILIE DOUBLE WARDROBE G65976 Assembly instructions

31



32



U139	Ø4.5 x 15mm	12	  not supplied
C11	N/A	6	

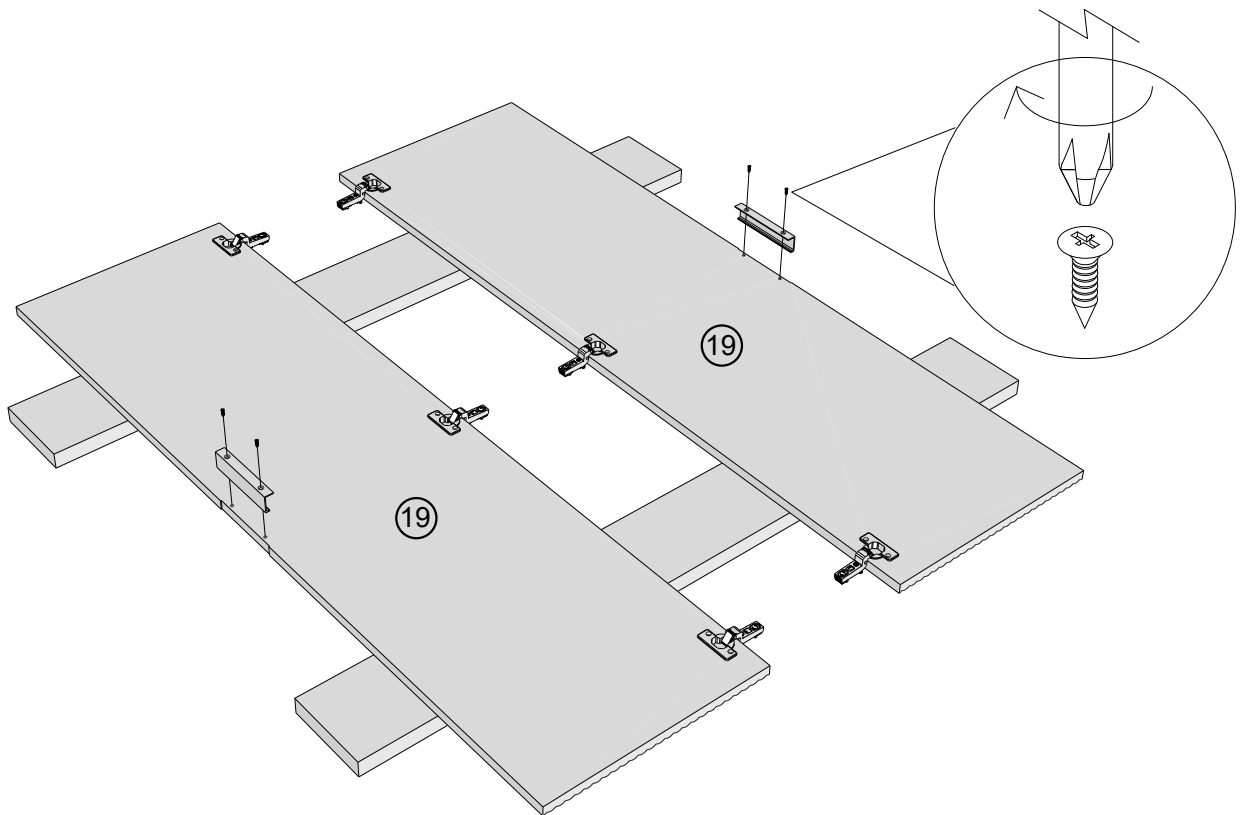
# NEXT

## EMILIE DOUBLE WARDROBE

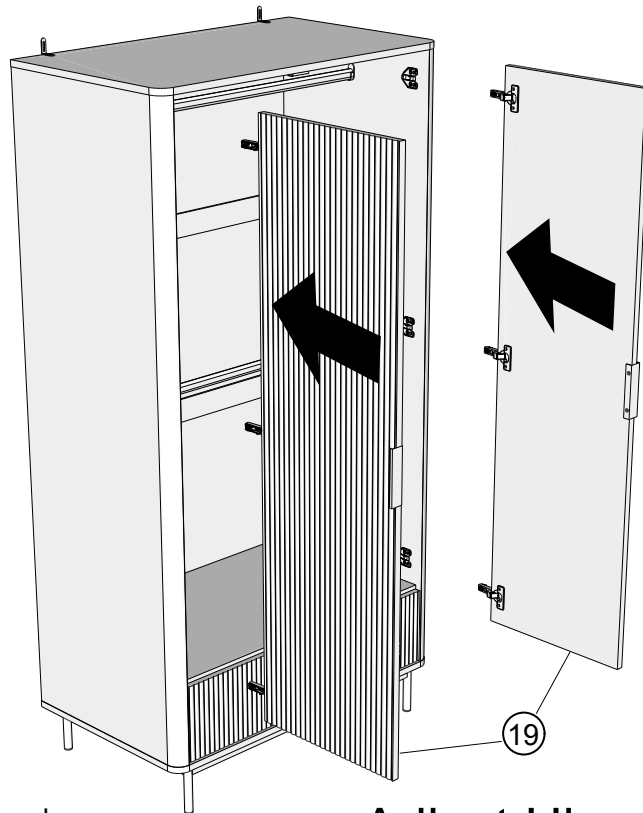
G65976

Assembly instructions

33

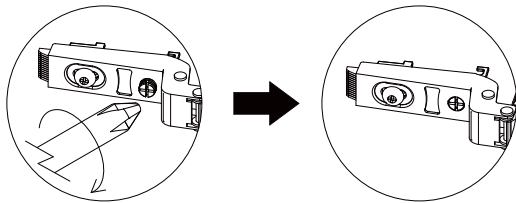


E39	N/A	2		 not supplied
-----	-----	---	---	---

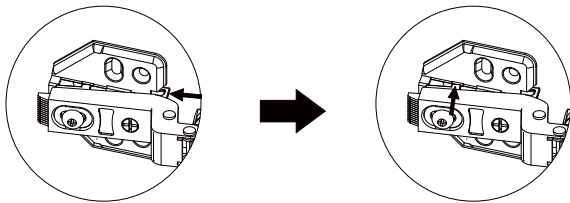


### Install Hinge

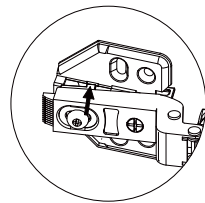
Step.1:Lift up the hook



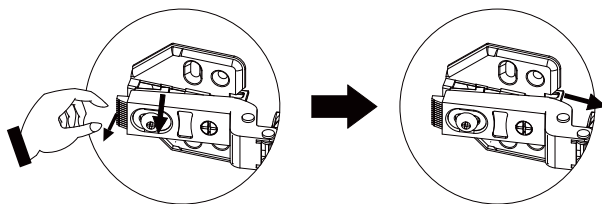
Step.2:Hook the hinge to the base



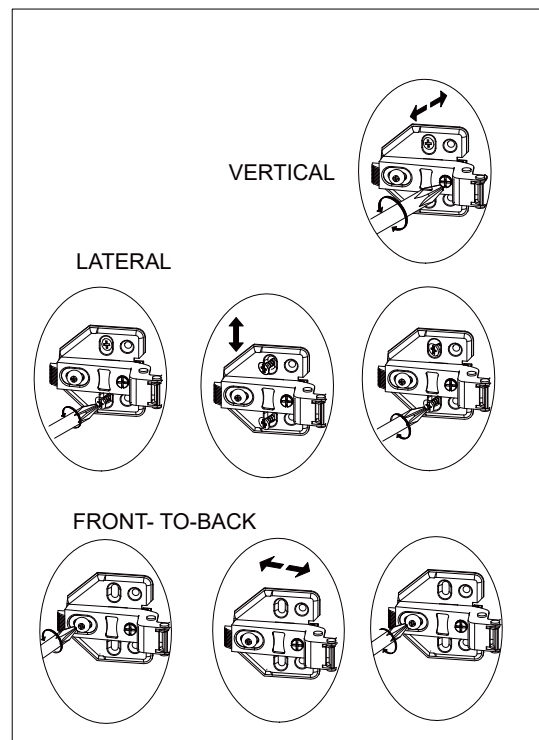
Step.3:Press inside



### Remove Hinge



### Adjust Hinge Position



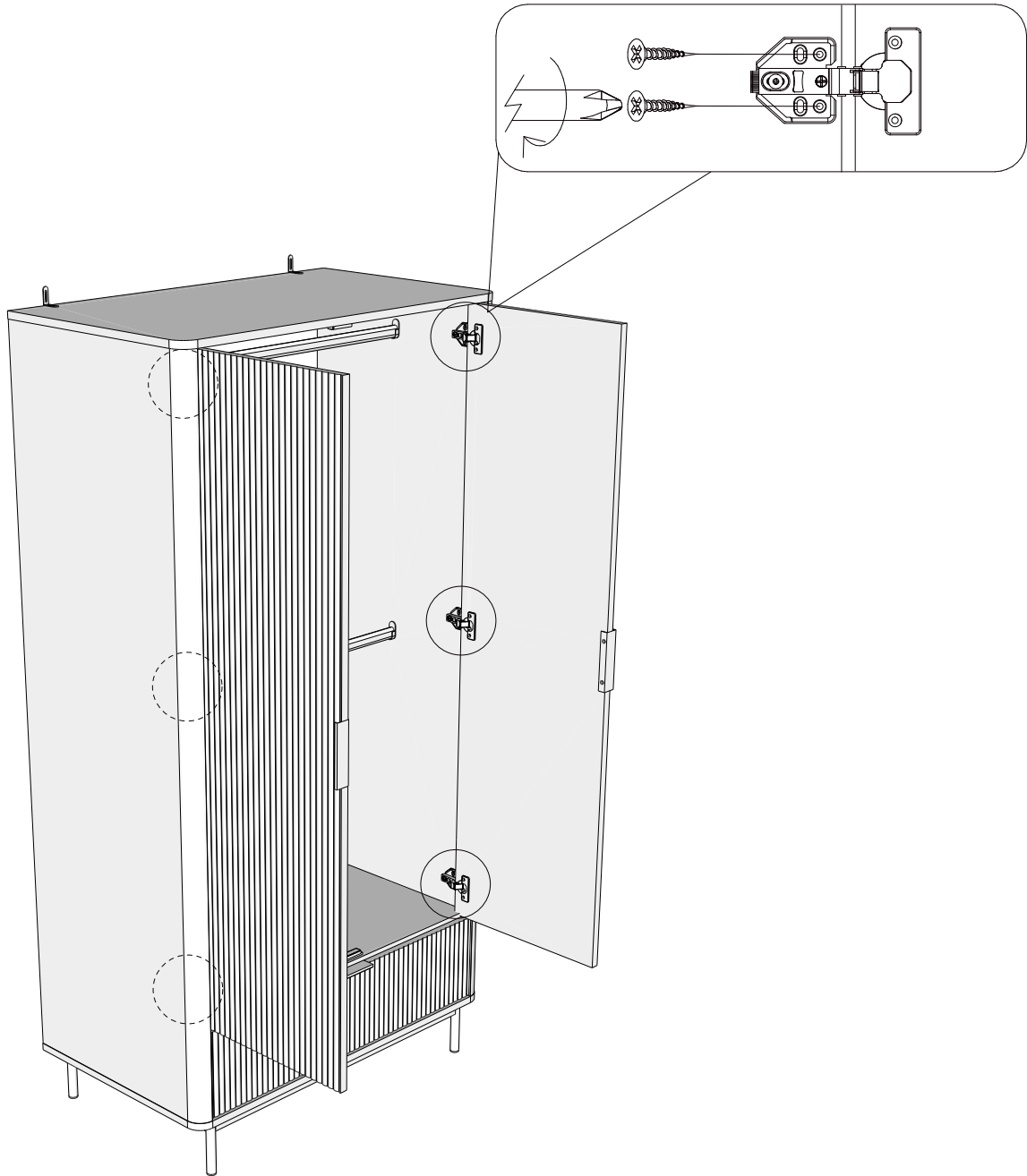
# NEXT

## EMILIE DOUBLE WARDROBE

G65976

Assembly instructions

35



U143

Ø4 x 15mm

12

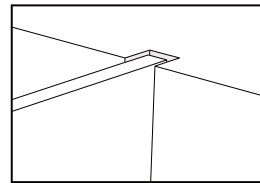
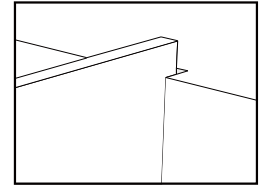
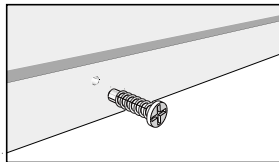
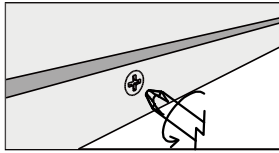


not supplied

36

To disassemble:

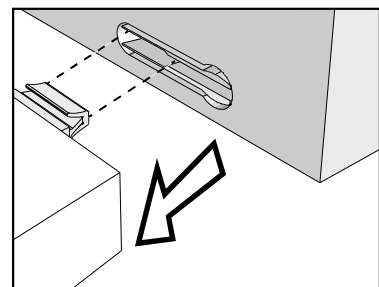
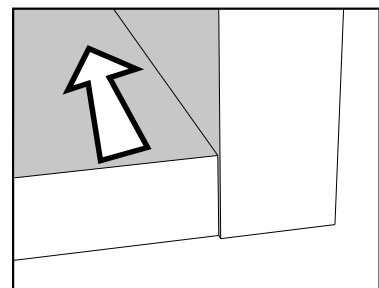
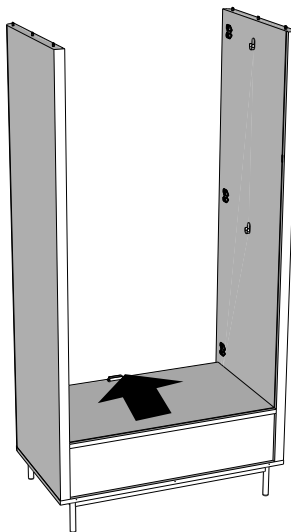
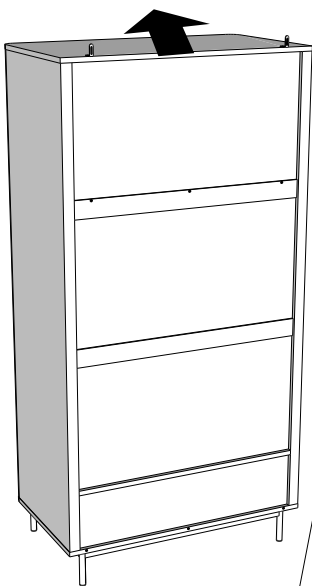
Step1: Remove the plastic wedge (T38) from the back plate, and remove the screws from the back of plate (3) and the rear of the cross bar (10);



Step2: Press down the back panel(8) so it is clear of the top panel slot;

37

Slide the top panel front to unlock, then lift off. Follow the same sequence to remove the other panels;

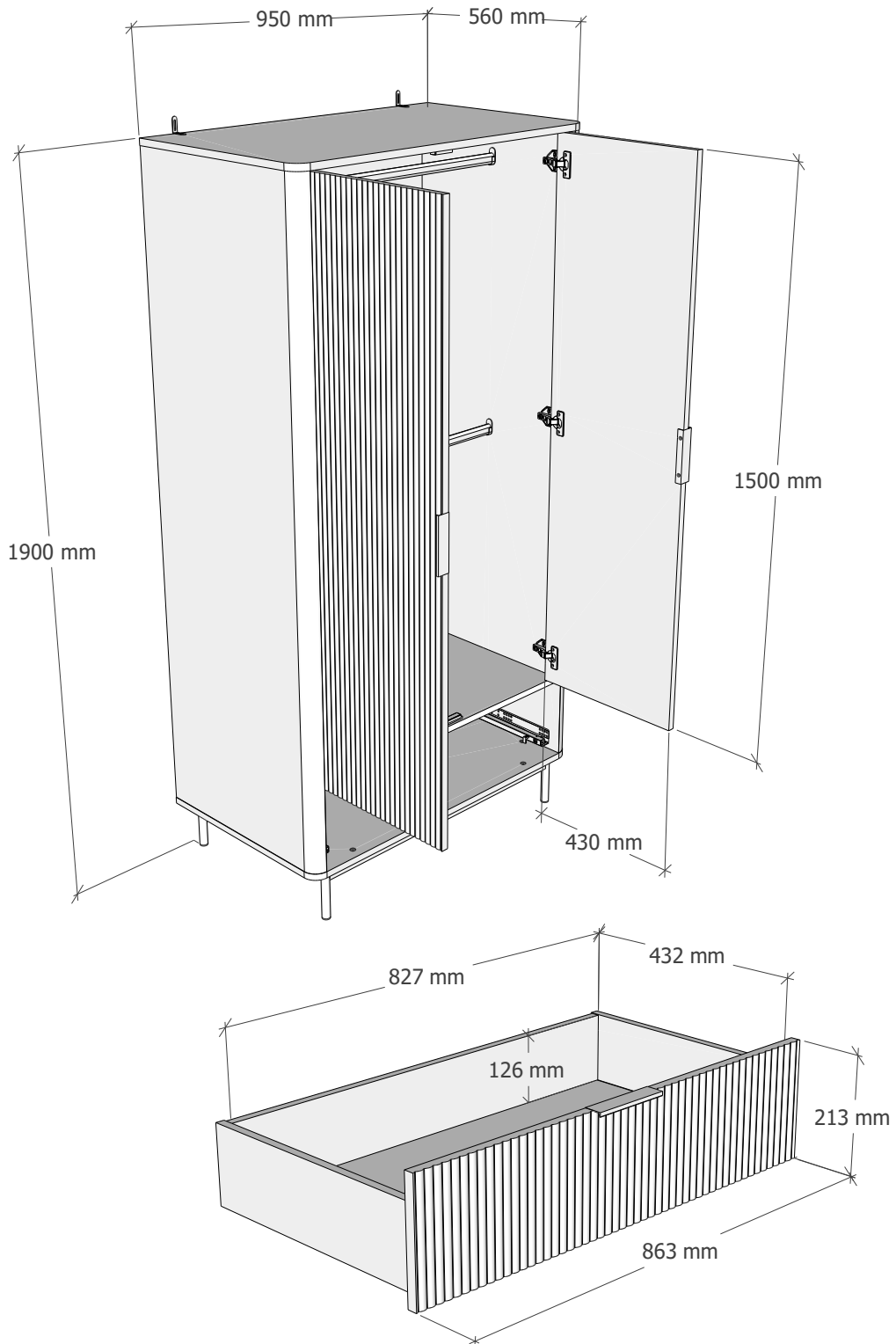


# NEXT

## EMILIE DOUBLE WARDROBE G65976

Actual product size

H190 x W95 x D56 cm



Produced in China for Next Retail Ltd.  
G65976-2026-V1.

# NEXT

## EMILIE DOUBLE WARDROBE G65976

### Warnings

We suggest you retain these instructions for future reference.

Keep fittings out of children's reach and keep children well away from construction area.

This product should only be used on firm level ground.

Please periodically check all fittings and re-tighten as necessary.

Please do not sit or stand on your furniture.

Avoid exposing the furniture to excessive heat or direct sunlight as this can cause deterioration of the colour.

Unwrap all packaging materials and place the components on top of the carton box or on a clean floor to protect it from damage

### Missing parts

If you are missing any fixtures and fittings for your product. Please contact our customer service team on 0333 777 8999 and they will be happy to arrange for a replacement to be sent to you free of charge.

### Home service technicians

If you have a fault with your product, please contact our customer service team on 0333 777 8999. If you have had the product for 28 days or less you may be offered a replacement, refund or for a fully trained home service technician to visit your home to assess the fault and repair the product where possible. If you have had the product for more than 28 days we will send an independent home service technician to review and repair the product where possible and recommend further action.

### You can write to us at

Home Customer Services  
Next Retail Ltd.  
Desford Road,  
Leicester,  
LE19 4AT

To view our full furniture range please visit [www.next.co.uk](http://www.next.co.uk)