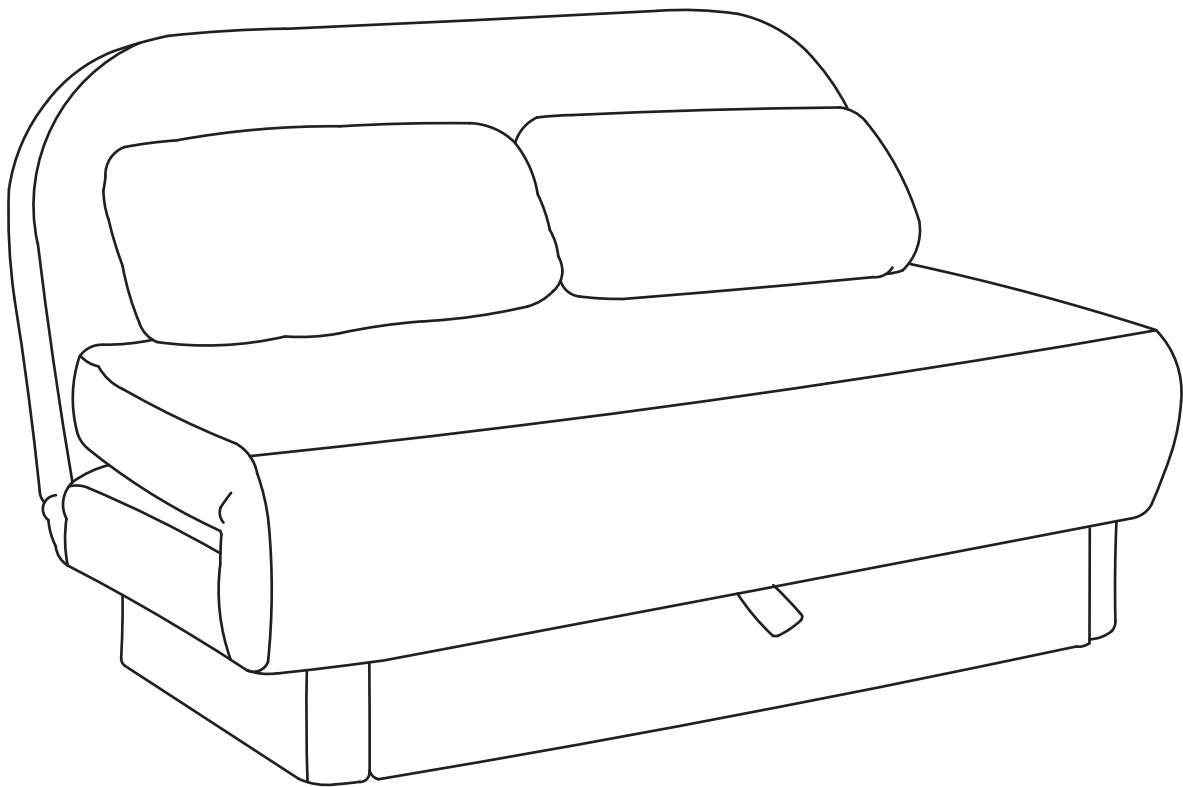


NEXT

PALMA STORAGE SOFA BED
G70107/Y33181

Assembly instructions

Actual product size
H87.5×W138×D90cm



Need Help ?

With: Assembly instruction
Missing or damaged parts

CALL: 0333 777 8999

IMPORTANT - RETAIN FOR FUTURE REFERENCE

BEFORE YOU START

Number of people required to assemble
Two people are required to assemble this item
Time to assemble: 30 minutes



Item No.	Fabric name - leg	Fabric composition
G70107	PALMA STG RCCRD FGRN	100% polyester
Y33181	PALMA STG CSBCL LN	100% polyester

Warnings

Always retain these instructions for future reference
Keep fittings out of children's reach and keep children well away from construction area
This product should only be used on firm level ground
Periodically check all fittings, where applicable, and re-tighten as necessary
Avoid exposure to direct and prolonged periods of sunlight, as colours might fade in the sun. Protect your upholstered furniture by drawing the curtains or blinds when you go out.
Do not position upholstery close to sources of intense heat, such as radiators.
Do not stand or jump on your furniture.
Avoid sitting on arms or edges which may cause distortion or damage the frame.
Dye transfer from garments and other soft furnishings such as denims and similar dark fabrics can't be removed.
Ensure the product is fully assembled as illustrated and all fixings fully tightened before use.
Avoid allowing pets on upholstered products as their claws may cause damage to the leather or fabric.

Do's

Before Use

We suggest you spend a short time reading through this leaflet before you start
When you are ready to start, make sure that you have the right tools and plenty of space
Unwrap all packaging materials and place the components on a clean surface to protect it from damage; we recommend that the packaging is used to protect the surfaces during assembly
Carefully check that you have all the parts before beginning assembly

When your new product arrives, you may notice that some of the cushions or upholstered areas may have been creased or squashed during transit. This can be simply corrected by gently patting the area back into shape to re-distribute the filling and reshape the cover.

Furniture Care

Check fixings regularly to ensure that they remain tight

To ensure your sofa continues to look great, it is important to regularly:
- Plump cushions to prevent creasing, flattening and distortion of the cushion border.
- Regularly turn all reversible cushions.
Please note your foam cushions will soften slightly within the first few weeks of use. This will not affect their durability.

Home Service Technicians

If you have a fault with your product, please contact our customer service team on 0333 777 8999. If you have had the product for 28 days or less you may be offered a replacement, refund or for a fully trained home service technician to visit your home to assess the fault and repair the product where possible. If you have had the product for more than 28 days we will send an independant home service technician to review and repair the product where possible and recommend further action.

You can write to us at
Home Customer Services
Next Retail Ltd
Desford Road,
Leicester,
LE19 4AT

To view our full furniture range
please visit www.next.co.uk

Need Help ?

With: Assembly instruction
Missing or damaged parts
CALL: 0333 777 8999

Weekly



Hold the zip



Shake vigorously



Plump the fibres



Work into the corner

Monthly



Ease the cushion fillings out of the case



Plump the cushion



Tease the fibre apart



Work the cushion into the corners



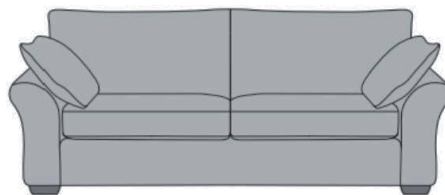
Fill the case evenly



Pull the case together and close the zip



Shake well



Cleaning

Vacuum lightly, or use a soft brush on a regular basis. Accumulated dirt will accelerate wear and dull the colours.

Cleaning spills

Act promptly. Carefully soak up any liquid spillages by blotting with a clean, dry, absorbent cloth.

Stains can then be removed mostly by using water, but stubborn stains may need a mild household detergent.

Don't use stain remover without testing it on a swatch first.

For any solid spillages use a teaspoon or flat utensil to remove the solid from the surface and follow the same practice as for liquid to remove the stain residue.

Repeat the process until the stain is removed and allow to air dry.

Clean cushions in situ only. Do not remove cushion covers to clean.

DO NOT WASH COVERS USING A WASHING MACHINE.

Clean all parts of the sofa at the same time.

For more stubborn stains contact a professional cleaner

Velvet, Chenille and Pile Fabrics - These are wonderfully durable fabrics. However, they are prone to pile crushing, indentation marks and colour shading variation depending on the pile direction.

Thankfully, getting them back to their original appearance is easy. Just softly brush the pile in the opposite direction to the nap.

Wool and Wool Effect - Pilling and bobbling are natural characteristics of these fabrics and can't be avoided. But they can be managed. To reduce or remove minor pilling, use a soft brush or a fabric pill remover.

Flat Weaves - Durable and tightly constructed, these fabrics often feel a little stiff to begin with. Don't worry. They'll loosen up with time and use. To speed up the process, use a soft brush or vacuum to buff and soften the fabric.

Don'ts

Do not stand on your furniture.

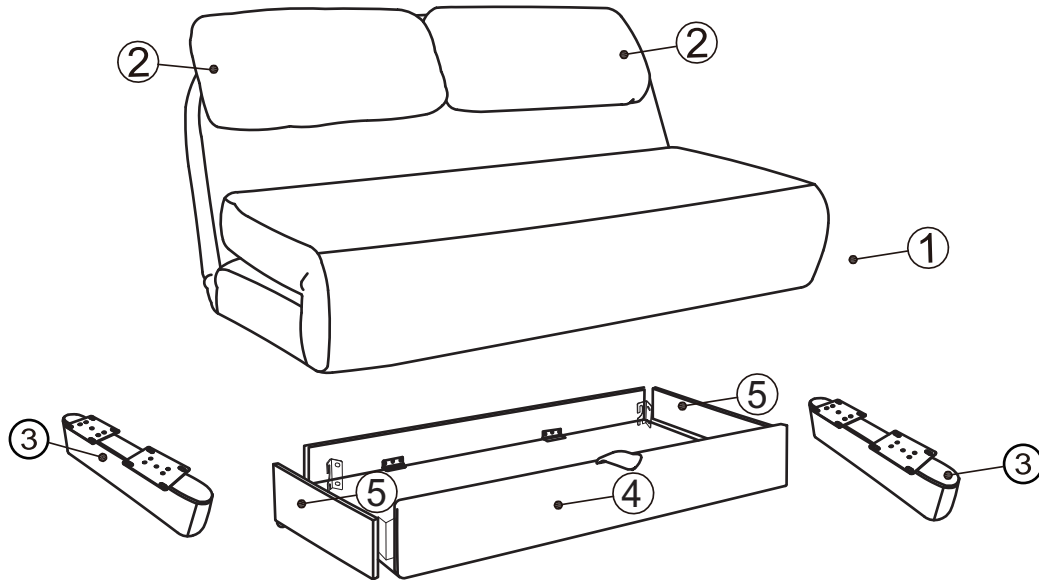
Avoid sharp objects such as toys, buckles, jewellery and pets to prevent fabric snagging.

Need Help ?

With: Assembly instruction
Missing or damaged parts

CALL: 0333 777 8999

GETTING TO KNOW YOUR PRODUCT



Components supplied. Please use this guide if you require replacement parts.

Ref	Dimension	Visual	Qty
①	Seat: W138xH13xD186CM		1
②	Cushion: W62xH16xD28CM		2
③	Legs		2
④	Storage-part		1
⑤	Storage-part		2

PALMA STORAGE SOFA BED

G70107/Y33181

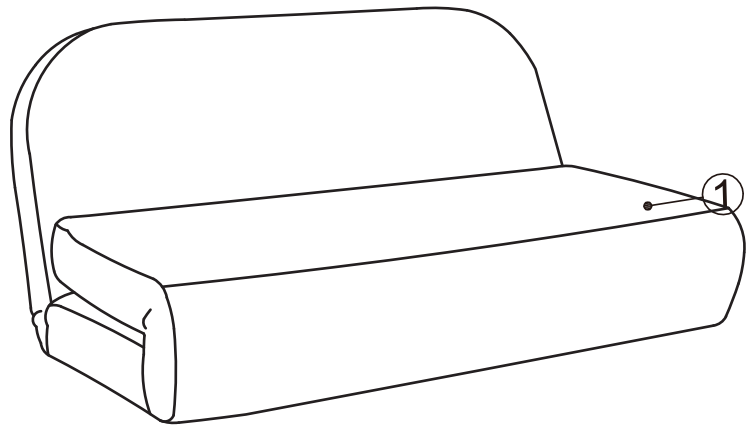
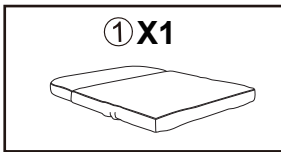
Assembly instructions

Fixtures and fittings supplied (actual size)

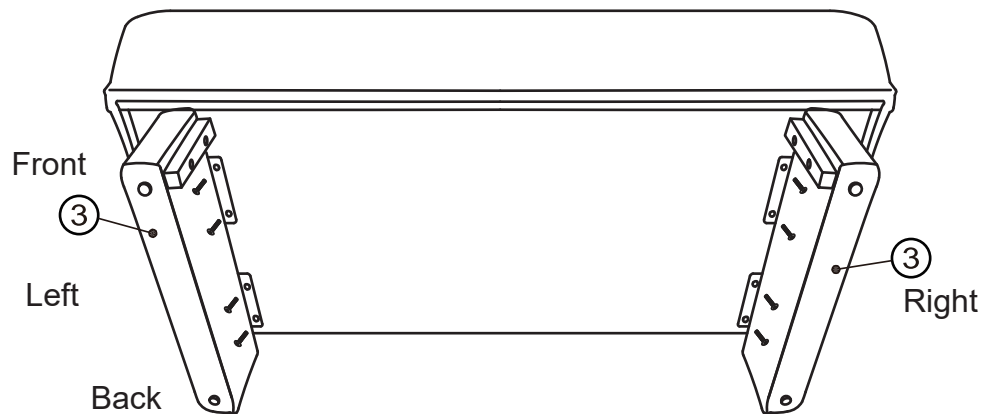
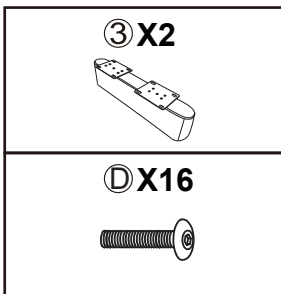
Ref	Dimension	Qty	Spare
A	100x35mm	4	0
B	76x27mmxM5	1	0
C	M8x20mm	16	2
D	M8x20mm	16	2

PALMA STORAGE SOFA BED
G70107/Y33181
Assembly instructions

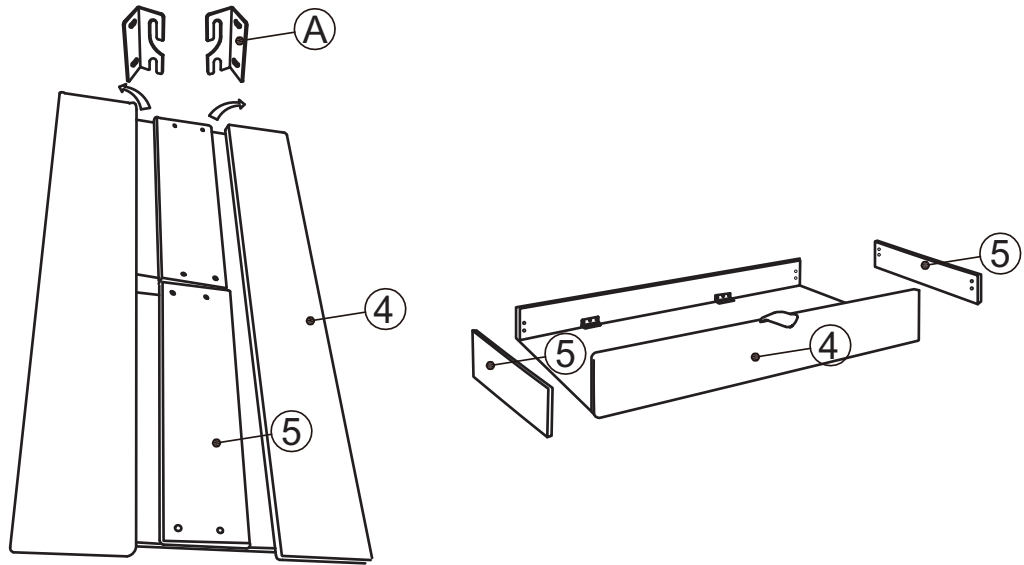
1.



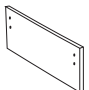


2.



3.

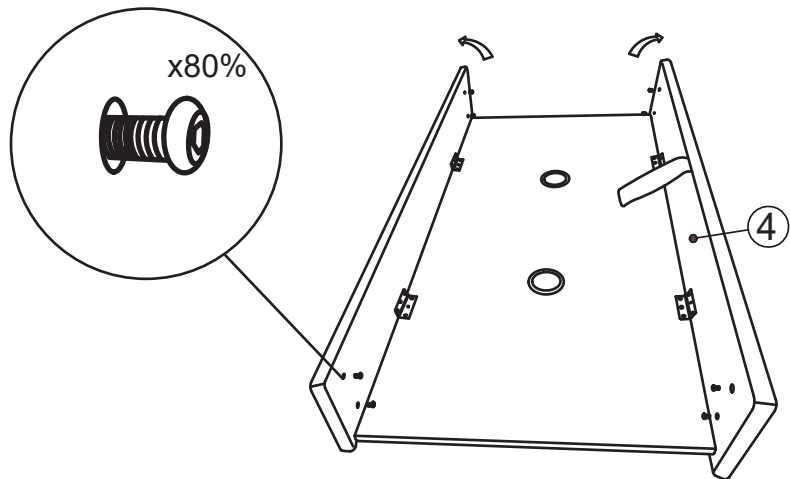
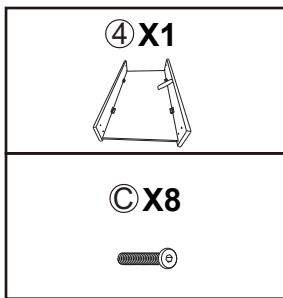


4.

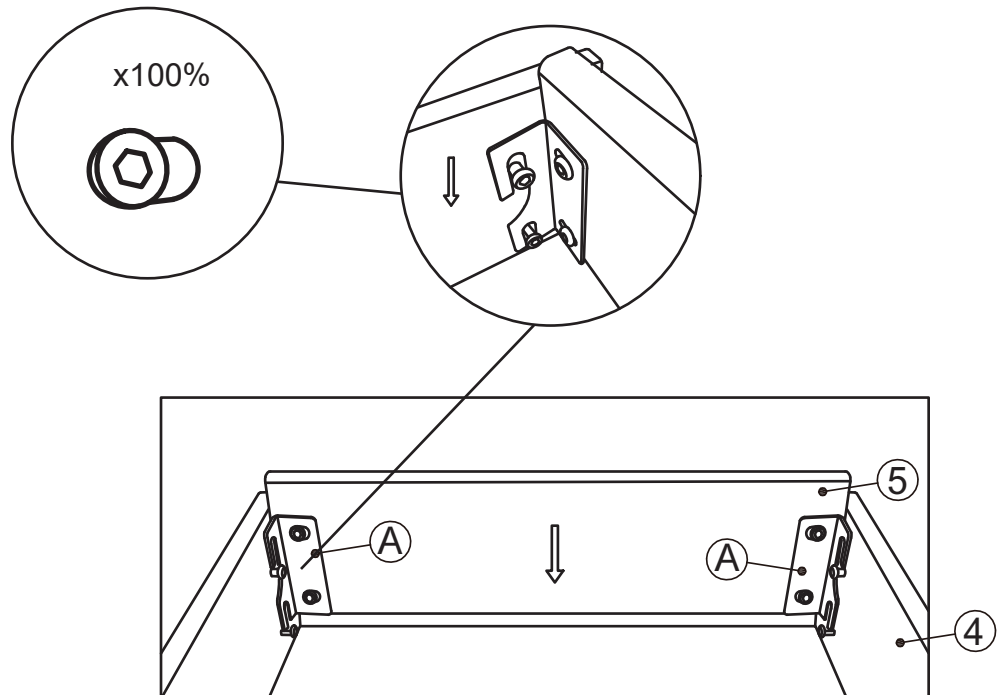
<p>⑤ X2</p> 
<p>Ⓐ X2</p> 
<p>Ⓒ X8</p> 



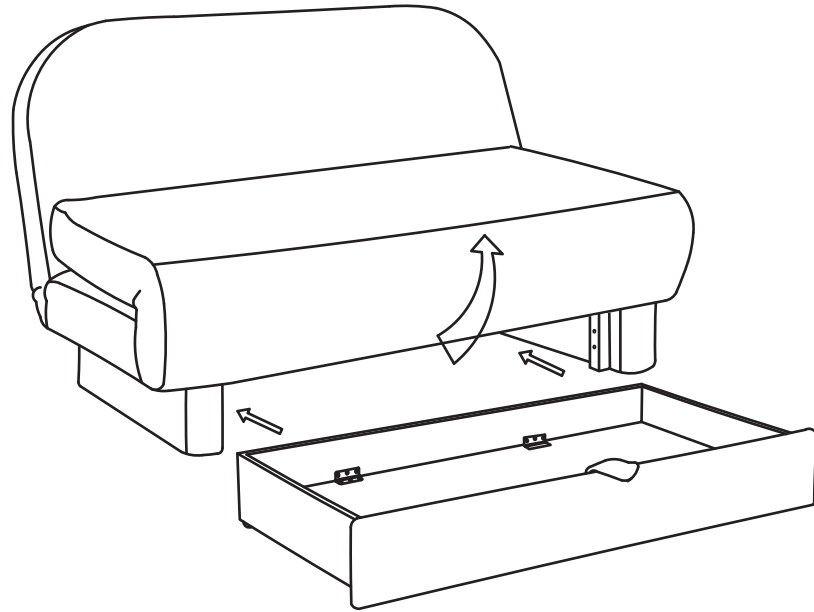
5.



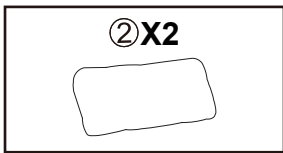
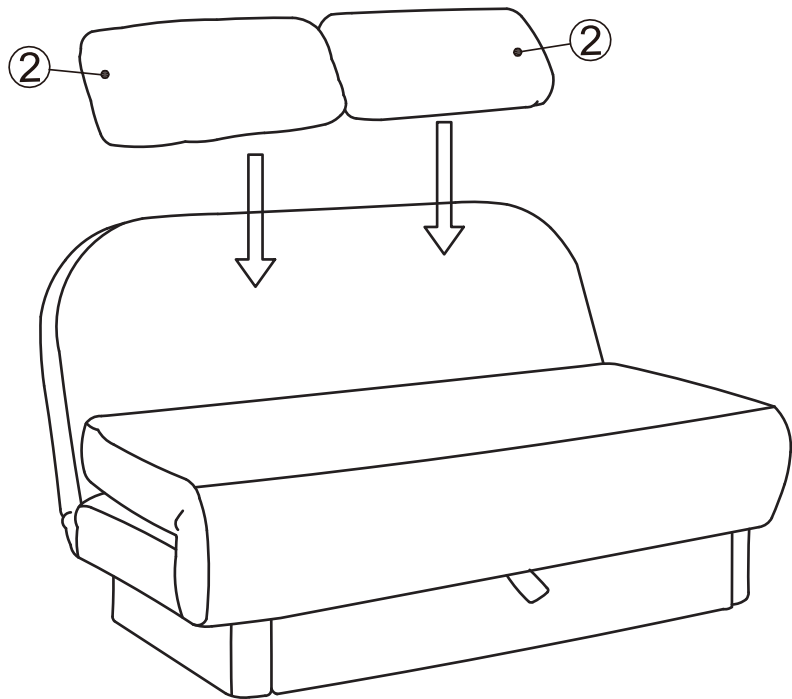
6.



7.



8.

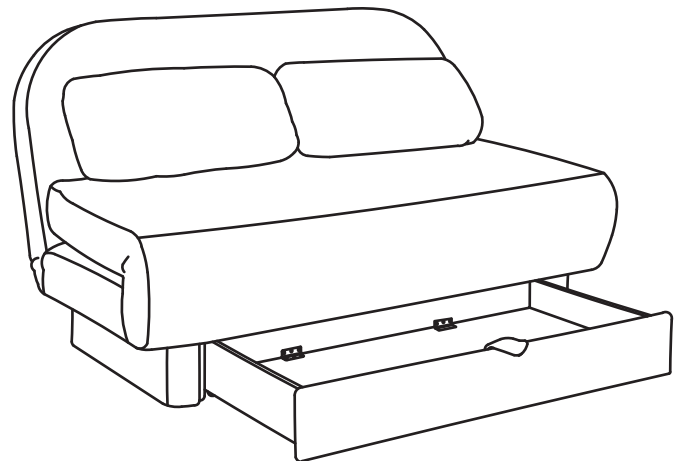
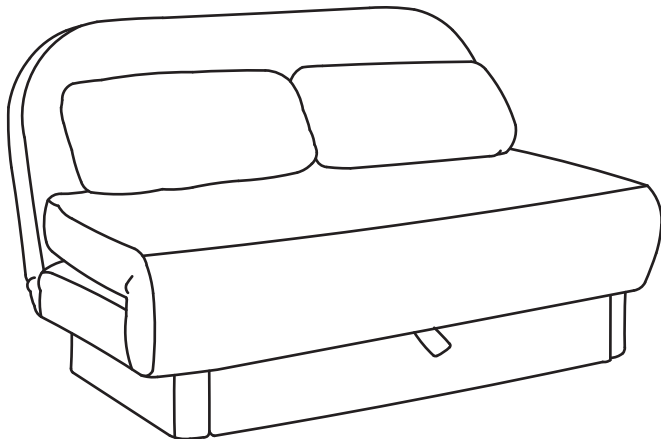
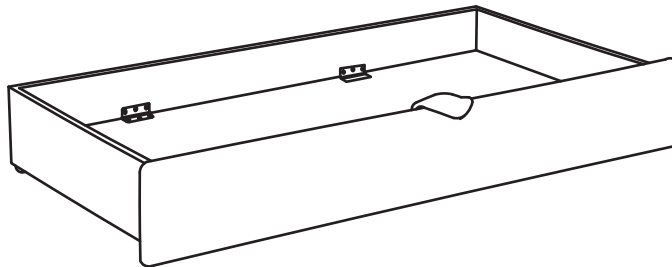


NEXT

PALMA STORAGE SOFA BED
G70107/Y33181

Assembly instructions

How to use the storage

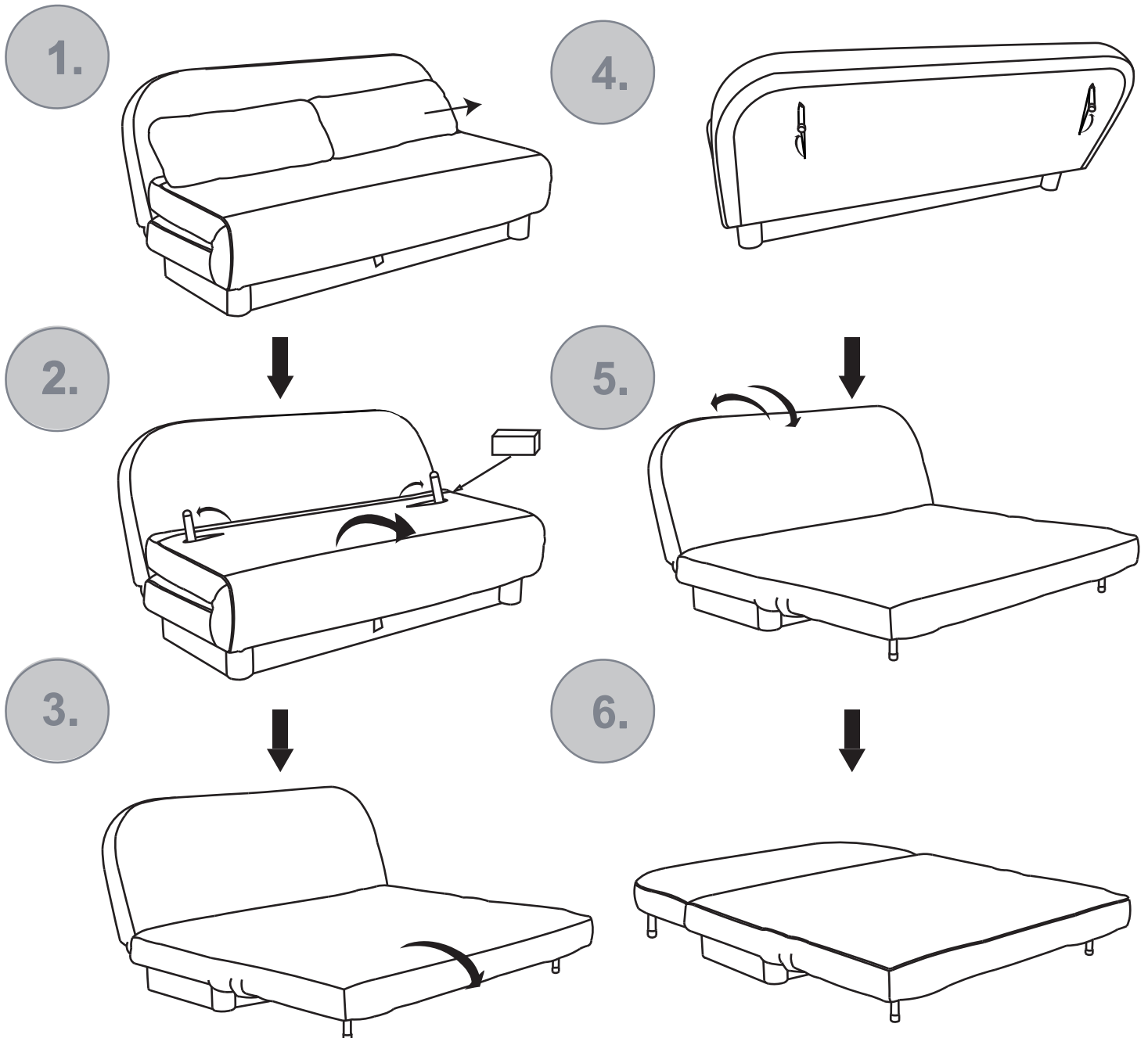


NEXT

PALMA STORAGE SOFA BED
G70107/Y33181

Assembly instructions

How to transform into a bed

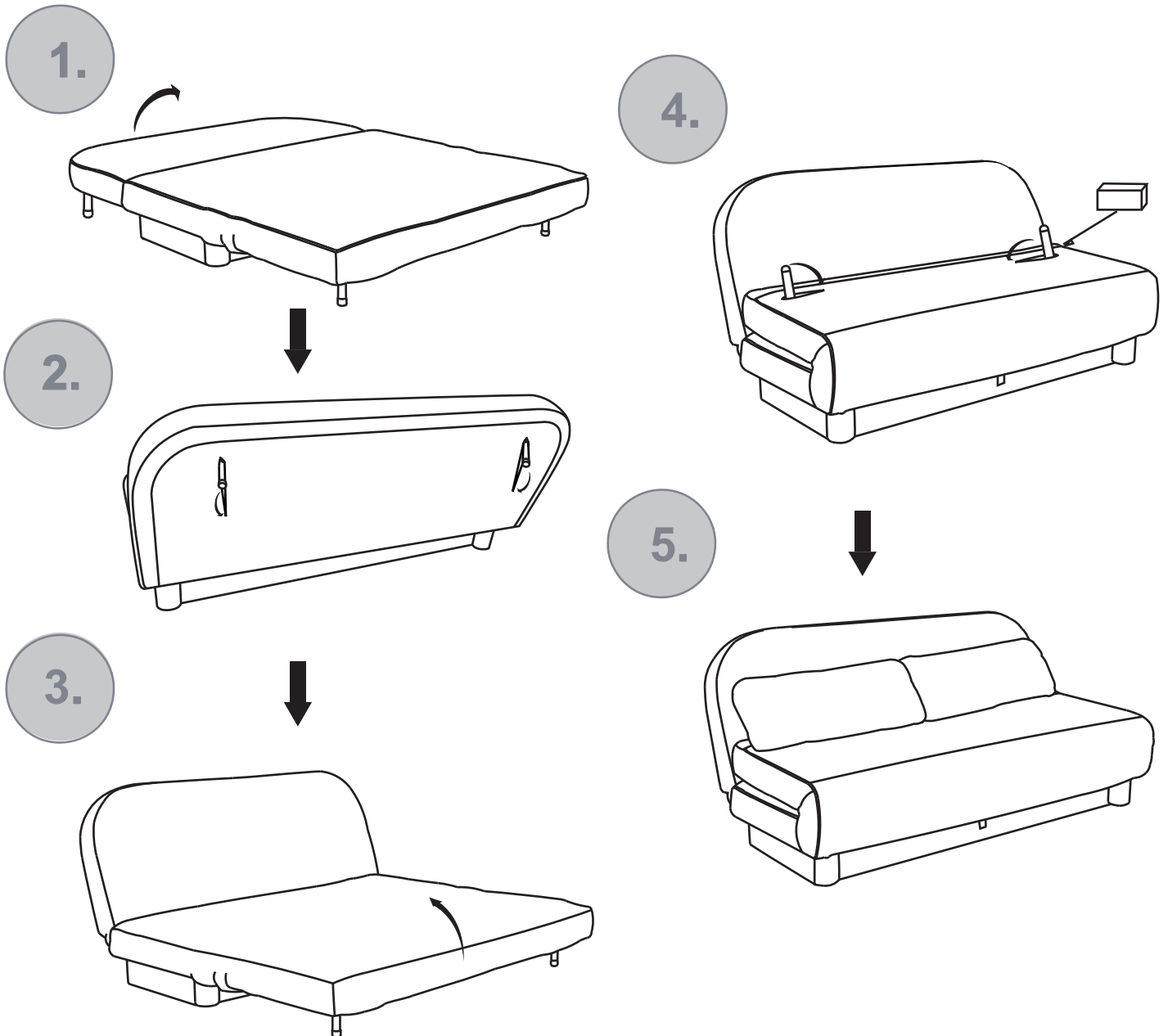


NEXT

PALMA STORAGE SOFA BED
G70107/Y33181

Assembly instructions

How to transform into a sofa



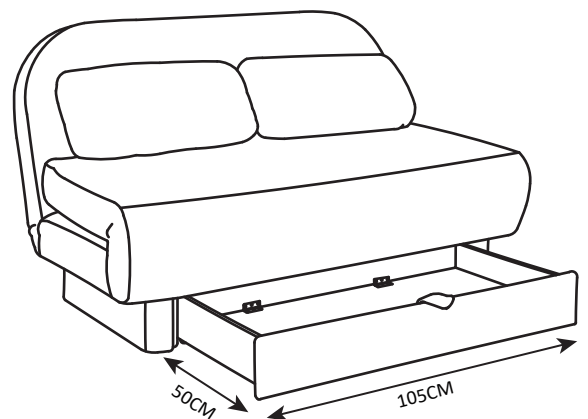
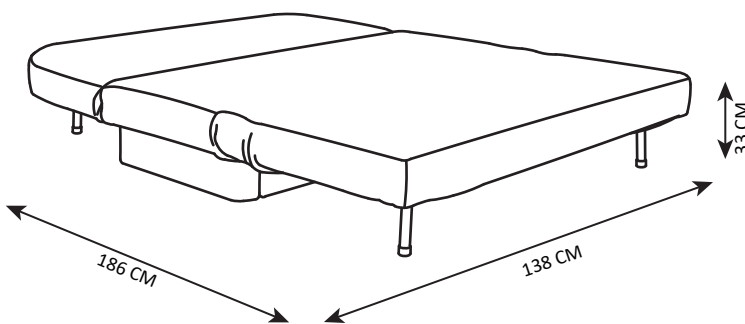
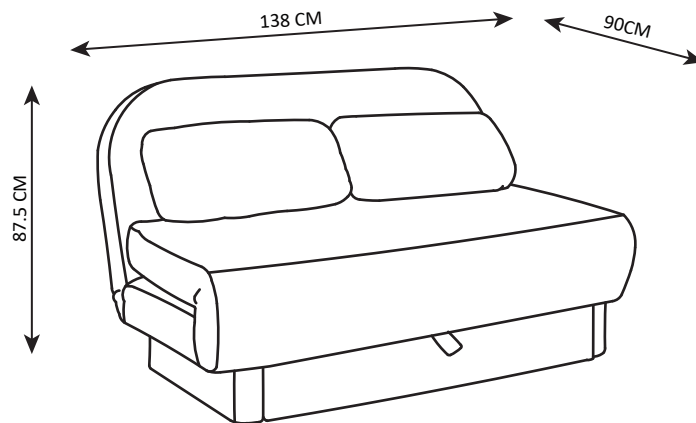
NEXT

PALMA STORAGE SOFA BED G70107/Y33181

Assembly instructions

Actual product size
H87.5×W138×D90cm

CAUTION: Maximum weight capacity of this chair is 130kg/Seat.



NEXT

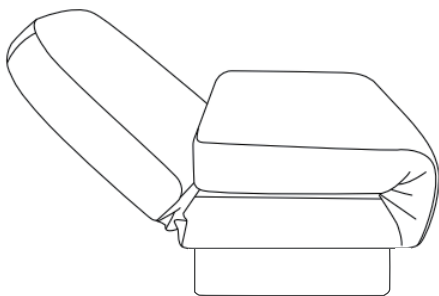
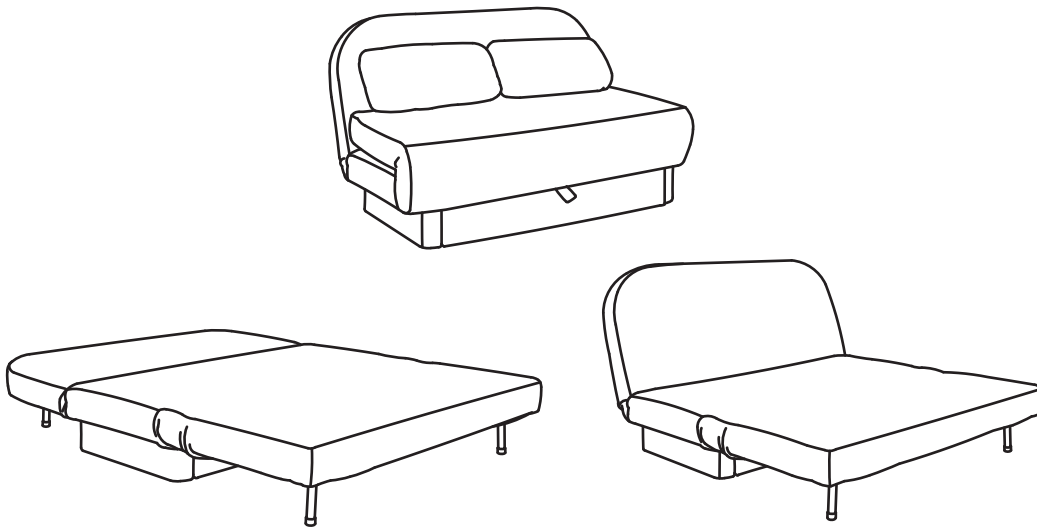
PALMA STORAGE SOFA BED G70107/Y33181

Assembly instructions

Actual product size
H87.5×W138×D90cm

TIPS

ONLY use the sofa with the back in the fully upright position or fully reclined. It must not be used partially reclined due to the risk of tipping and potential injury.



Avoid using the sofa backrest at the illustrated angle due to the risk of tipping and potential injury.