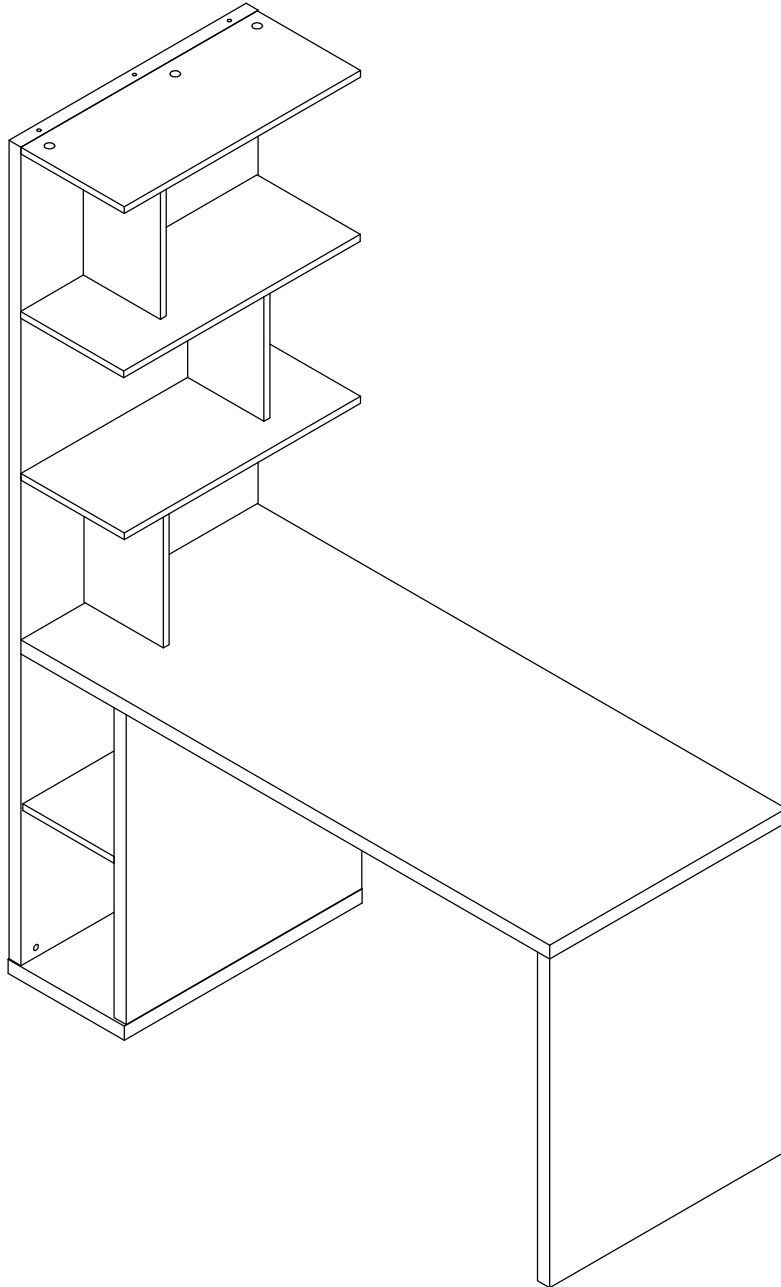


# NEXT EVIE S DESK

G70228  
Assembly instructions

**Actual product size**

H181.8 x W140x D59.8cm



**Need Help ?**

With: Assembly instruction  
Missing or damaged parts

**IMPORTANT - RETAIN FOR FUTURE REFERENCE**

**CALL: 0333 777 8999**

# NEXT

## EVIE S DESK

G70228  
Assembly instructions

### BEFORE YOU START

#### Number of people required to assemble

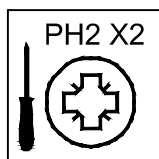
Two people are required to assemble this item



**Time to assemble : 30 minutes**



#### Tools required



not supplied

#### Do's

We suggest you spend a short time reading through this leaflet before you start.

When you are ready to start, make sure that you have the right tools and plenty of space.

Unwrap all packaging materials and place the components on a clean surface to protect it from damage, We recommend that the packaging is used to protect the surfaces during assembly.

Carefully check that you have all the parts before beginning assembly.

Due to the size of this product we recommend that it is assembled in the room intended for use.

Ensure the product is fully assembled as illustrated and all fixings fully tightened before use.

Wipe occasionally with a soft cloth slightly dampened with water. Then buff with a dry clean soft cloth.

Wood will mellow and change colour over time, we recommend that ornaments and items placed on the surface are moved regularly for the first few months to prevent uneven mellowing.

#### Don'ts

Do not drag or pull your furniture.

Do not rub or scrub the surface when cleaning.

Do not use silicone based furniture polish. Silicone in furniture polishes can break down the finish.

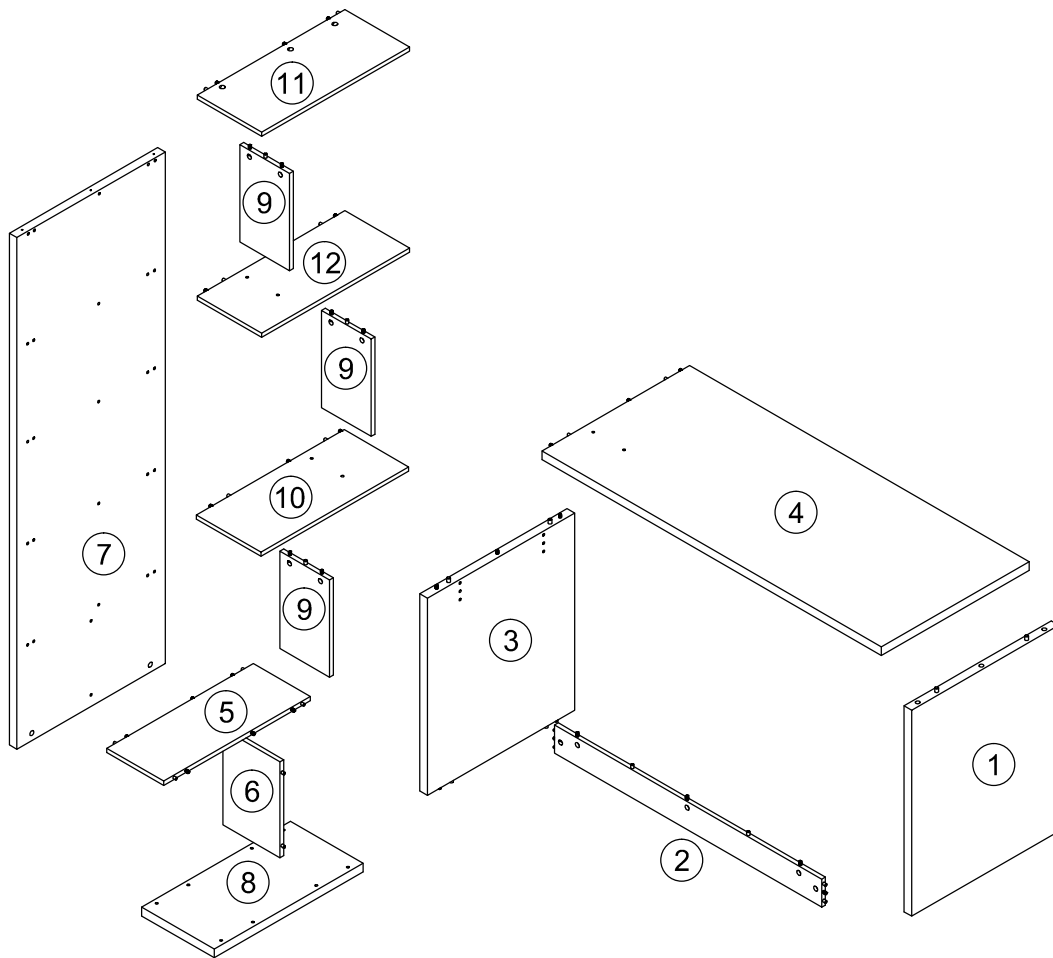
Never allow any kind of liquid to remain on your furniture.  
Absorption can cause wood to warp or finishes to de-laminate.

Do not place hot items (e.g. hot drinks) directly on to the wood surface. Please make sure you use a placemat or coaster.

# NEXT EVIE S DESK

G70228  
Assembly instructions

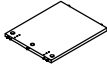

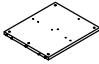
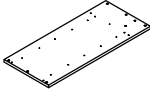


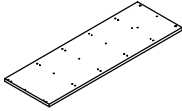





## GETTING TO KNOW YOUR PRODUCT



# NEXT EVIE S DESK

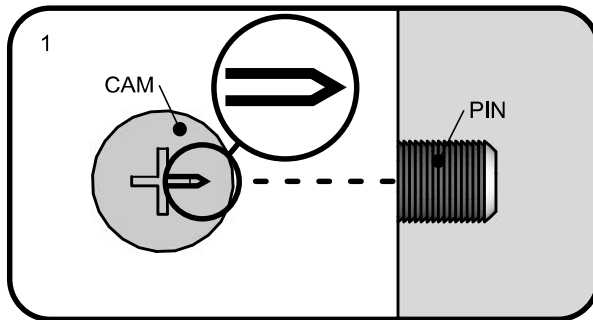
G70228  
Assembly instructions

Components supplied. Please use this guide if you require replacement parts.

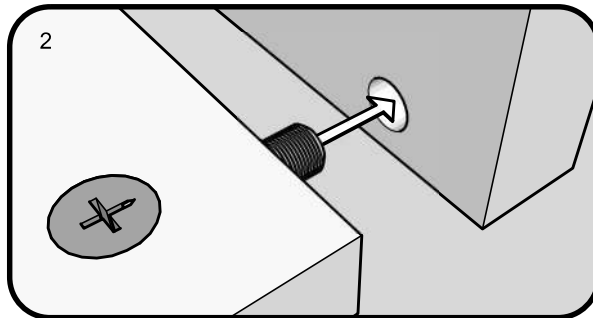
Ref	Dimensions	Visual	Qty	Ctn
1	59 x 72cm		1	2
2	10 x 108cm		1	1
3	59 x 69cm		1	2
4	60 x 137cm		1	1
5	26 x 59cm		1	2
6	23 x 34cm		1	1
7	60 x 179cm		1	1
8	29 x 60cm		1	2
9	20 x 34cm		3	1
10	26 x 60cm		1	2
11	26x 60cm		1	2
12	26x 60cm		1	2

# NEXT

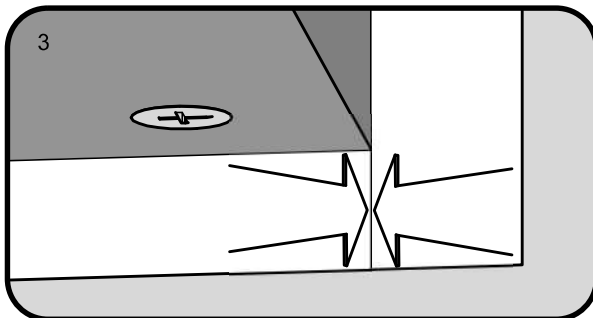
## TITUS TIGHTENING INSTRUCTIONS



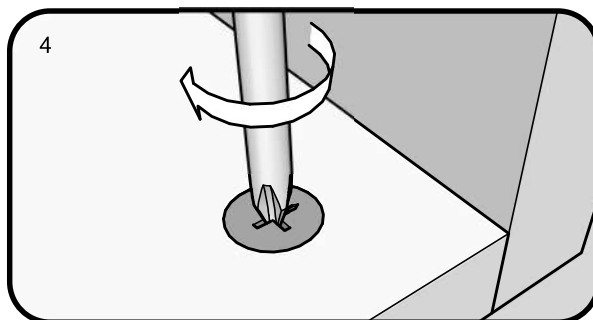
Line up the arrow on the CAM with the PIN.



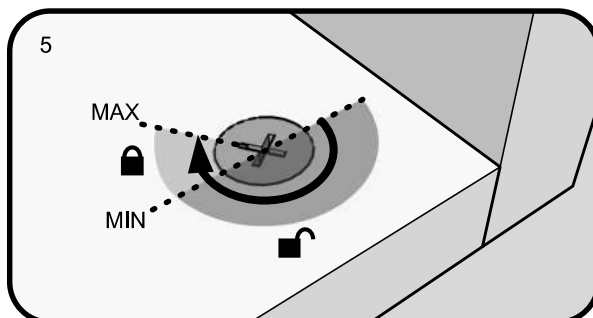
Push the pins into the holes in the panel to be joined.



Make sure there is no gap between the panels.



Use a cross-point screwdriver (PH2 or PZ2 is ideal) to tighten the cams and lock the panels together.



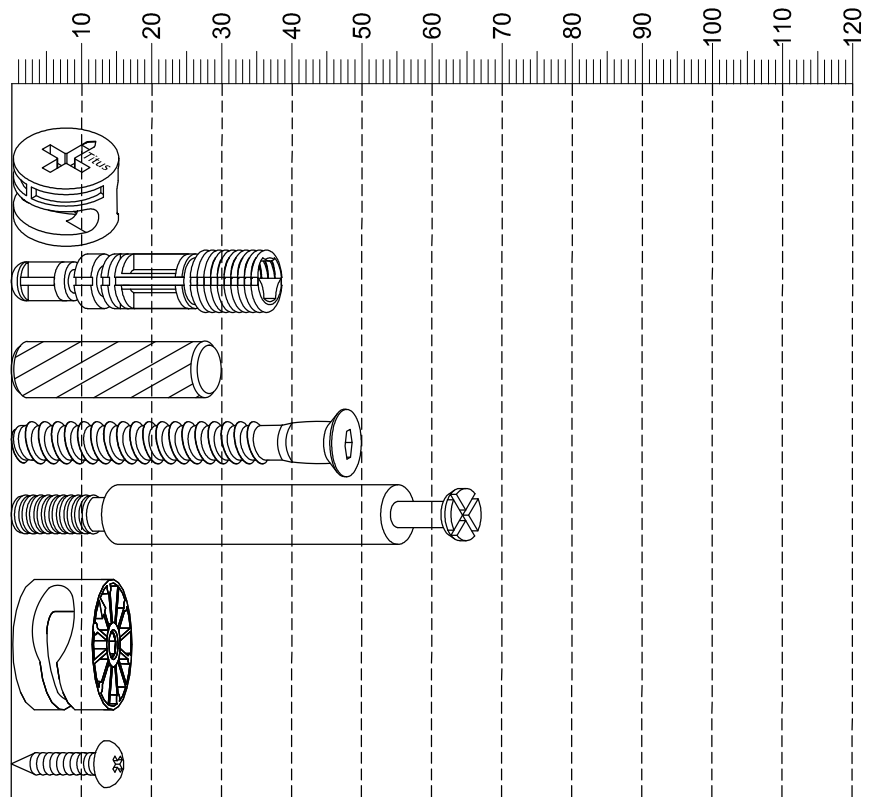
The panels are locked when each cam is turned to between 1/2 and 2/3 of a full turn (Maximum rotation)

# NEXT EVIE S DESK

G70228  
Assembly instructions

## Fixtures and fittings supplied (actual size)

Ref	Dimensions	Qty	Spare Qty
B3	Ø15 x 12mm	N/A	2
B8	Ø8 x 38mm	N/A	2
D6	Ø8 x 30mm	N/A	2
Y8	Ø6 x 50mm	6	1
B24	Ø8.5 x 63mm	3	N/A
B25	Ø35 x 17mm	3	N/A
S41	Ø4 x 16mm	1	N/A



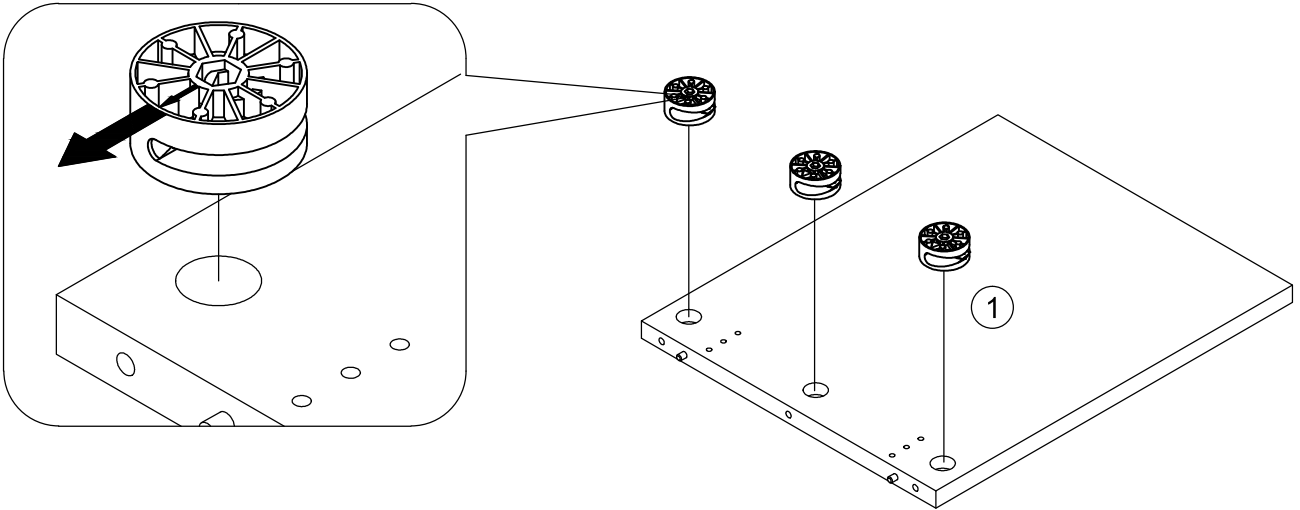
## Fixtures and fittings supplied ( not to scale)

Ref	Dimensions	Qty	Spare Qty	Visual
N1	N/A	1	N/A	
T7	N/A	1	N/A	
T4	N/A	2	N/A	
O1	N/A	23	2	
O3	N/A	3	1	
O5	N/A	6	1	

# NEXT EVIE S DESK

G70228  
Assembly instructions

1



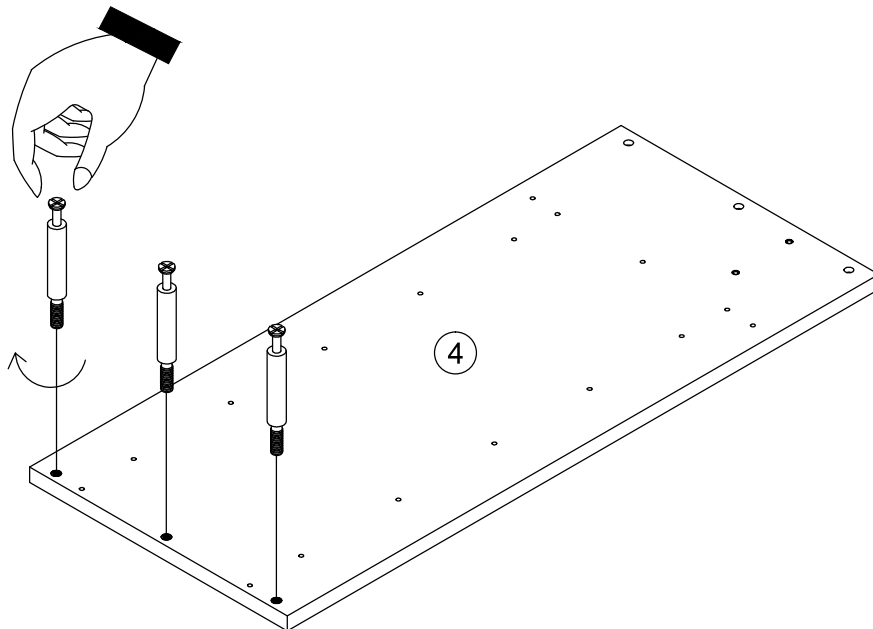
B25

Ø35 x 17mm

3



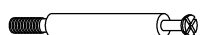
2



B24

Ø8.5 x 63mm

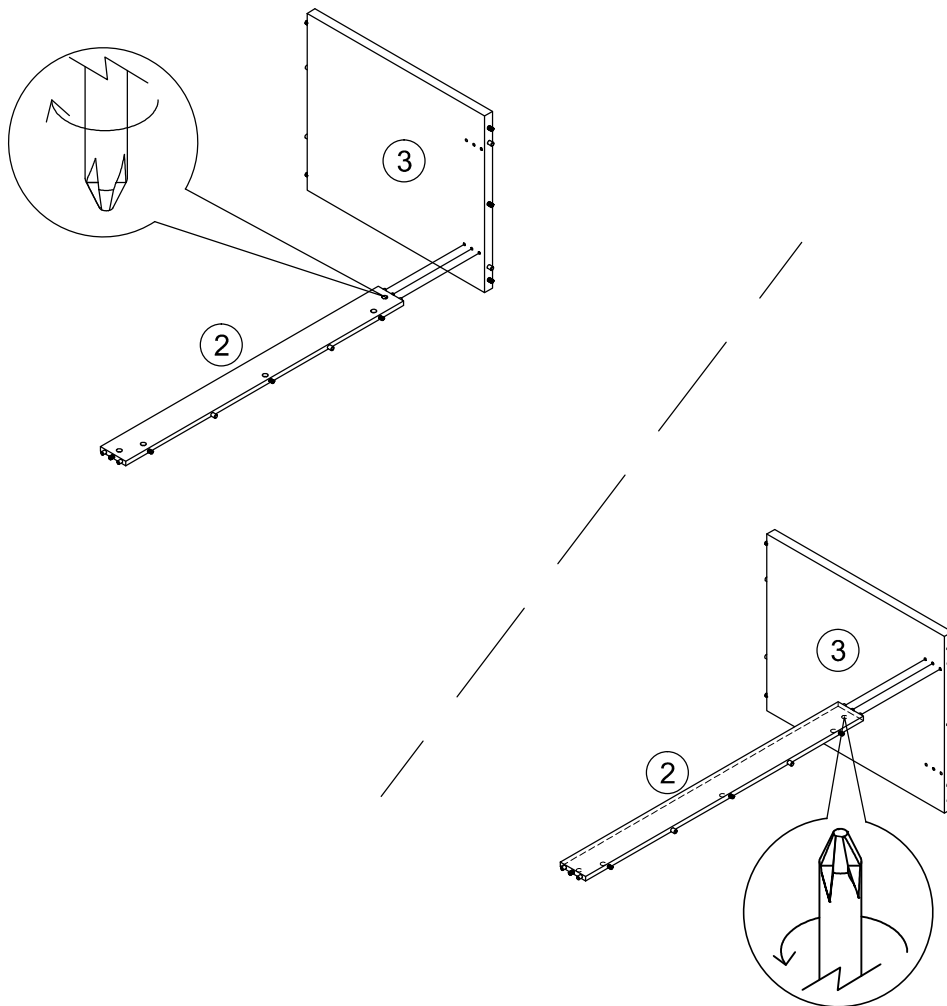
3



# NEXT EVIE S DESK

G70228  
Assembly instructions

3

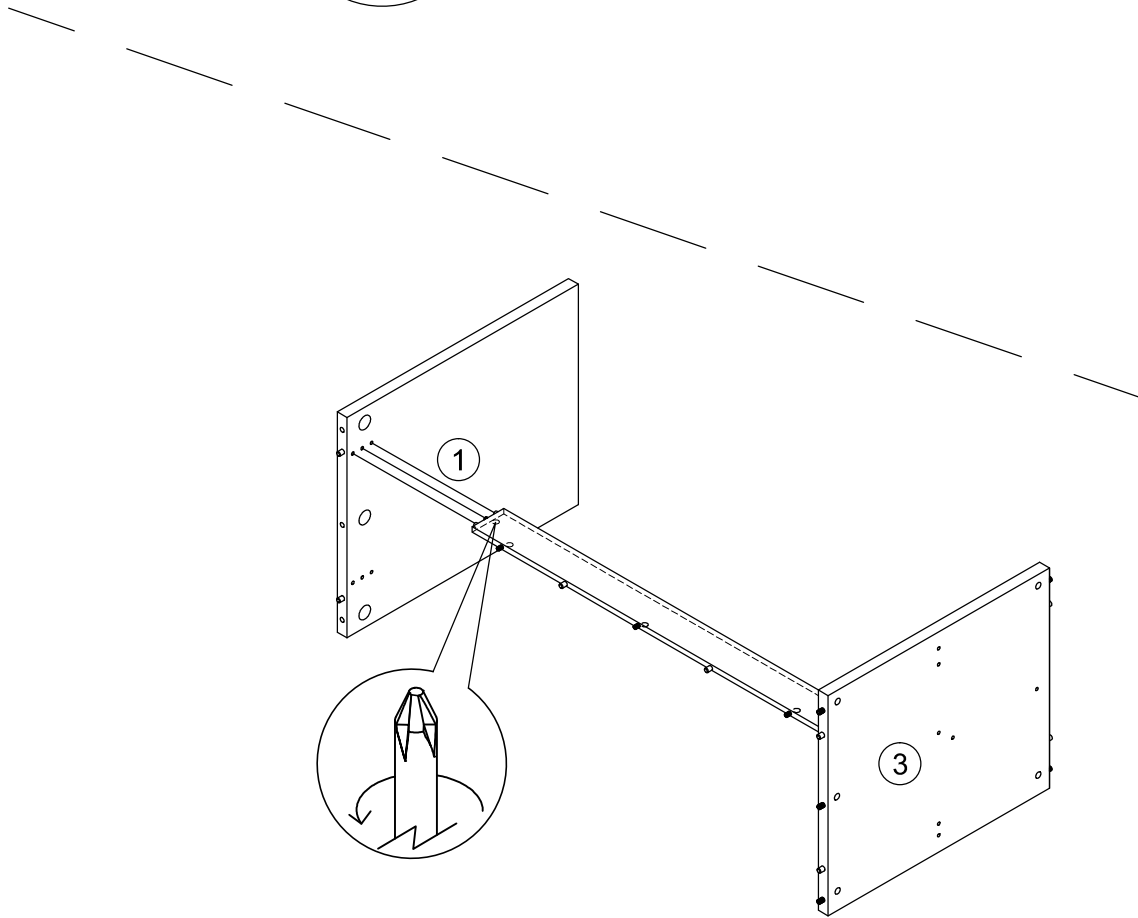
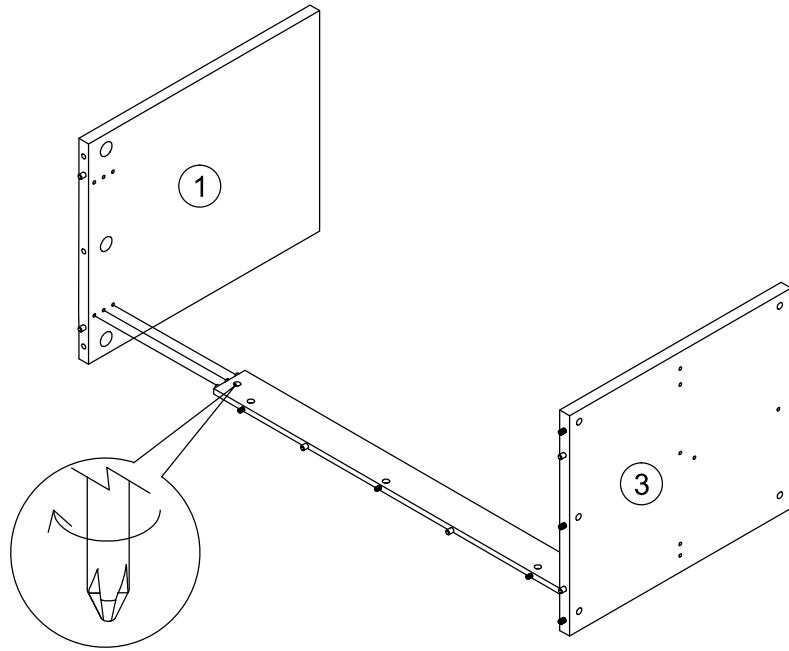


# NEXT

## EVIE S DESK

G70228  
Assembly instructions

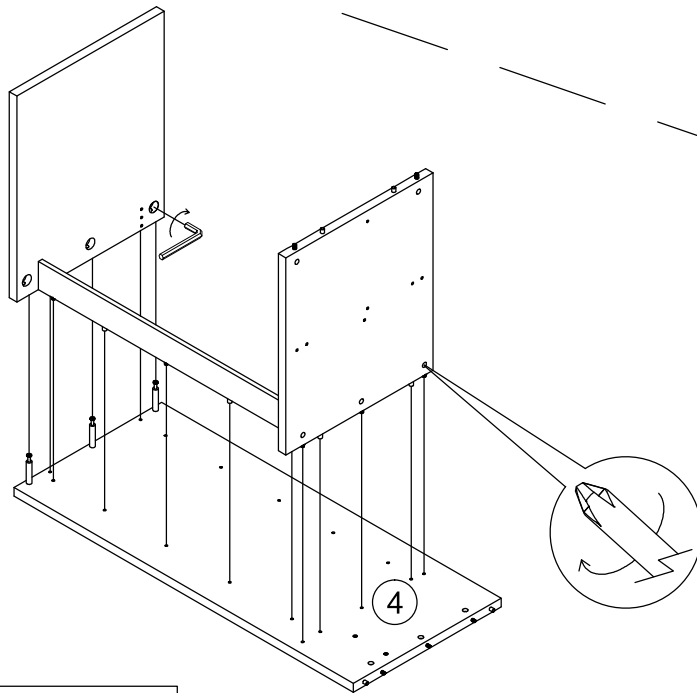
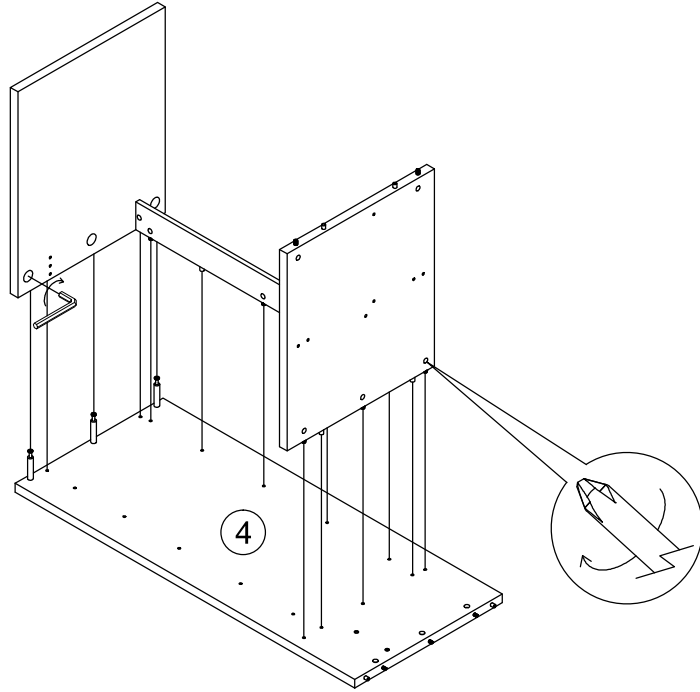
4




# NEXT EVIE S DESK

G70228  
Assembly instructions

5

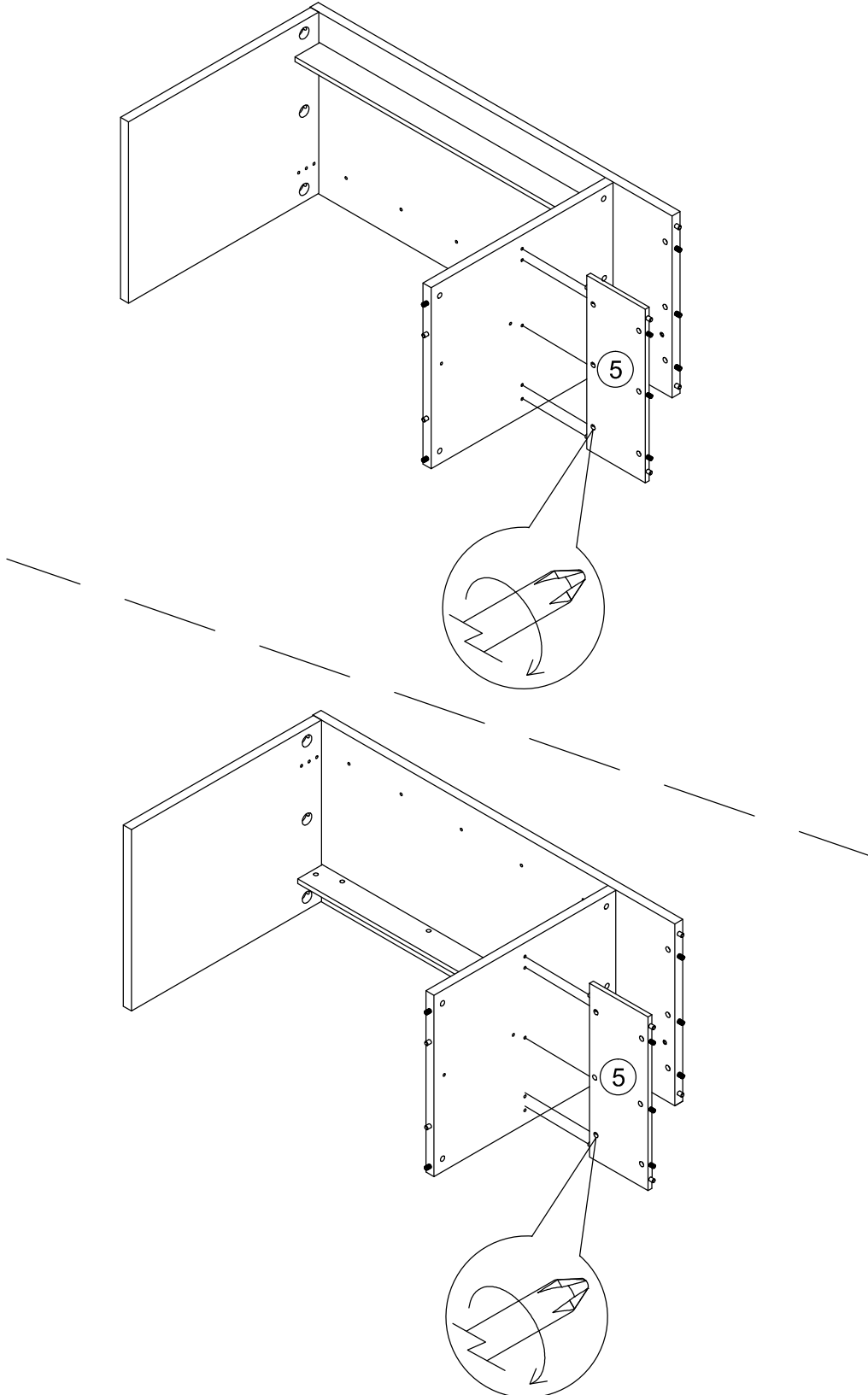


T7	N/A	1	
----	-----	---	---

# NEXT EVIE S DESK

G70228  
Assembly instructions

6

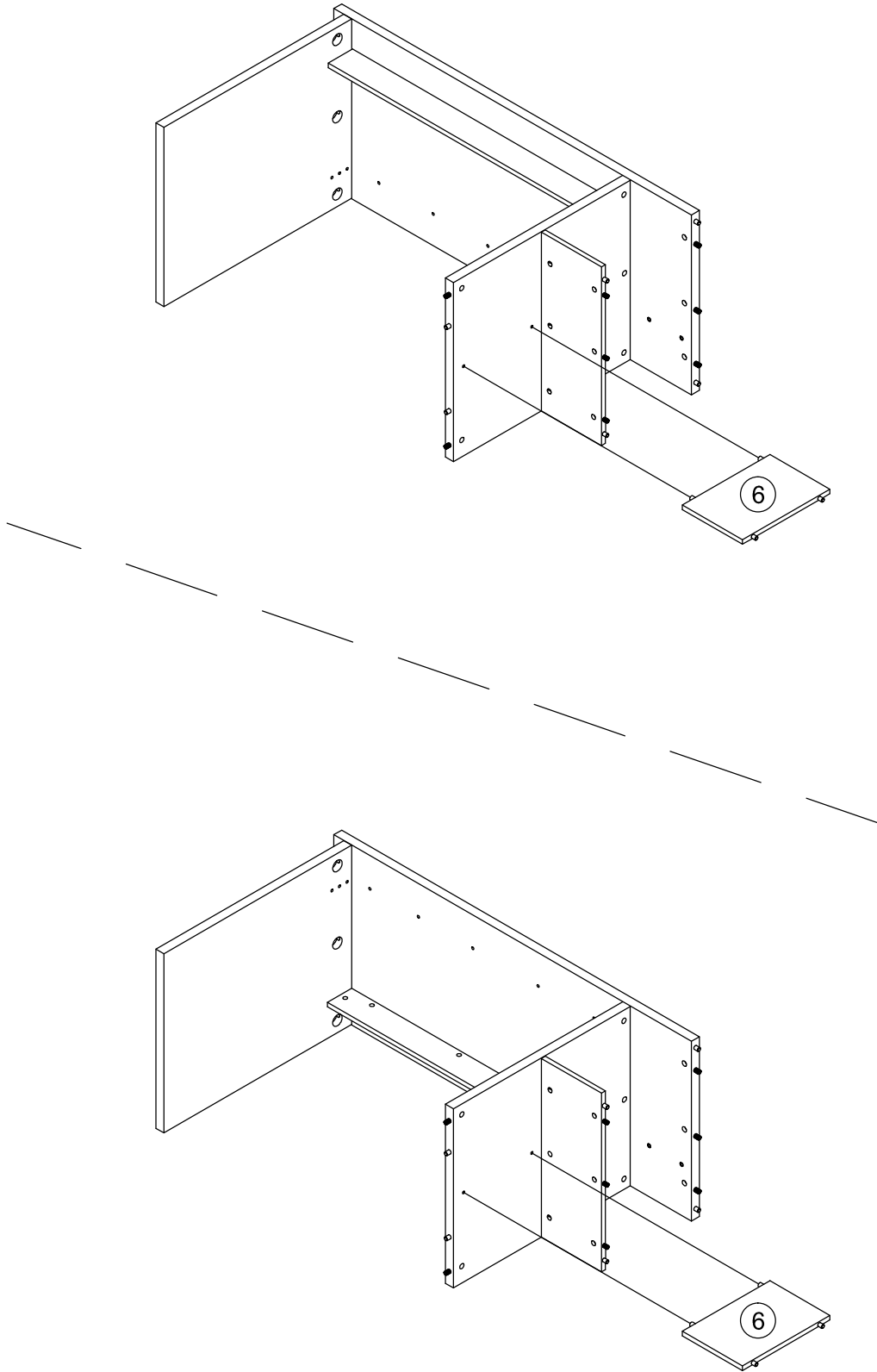


# NEXT

## EVIE S DESK

G70228  
Assembly instructions

7

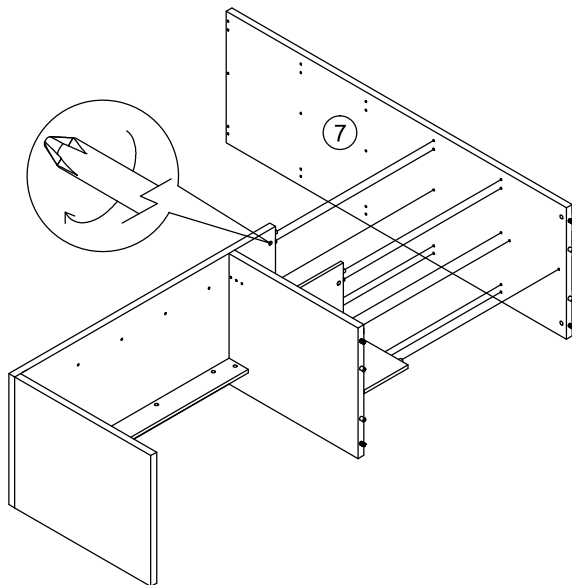
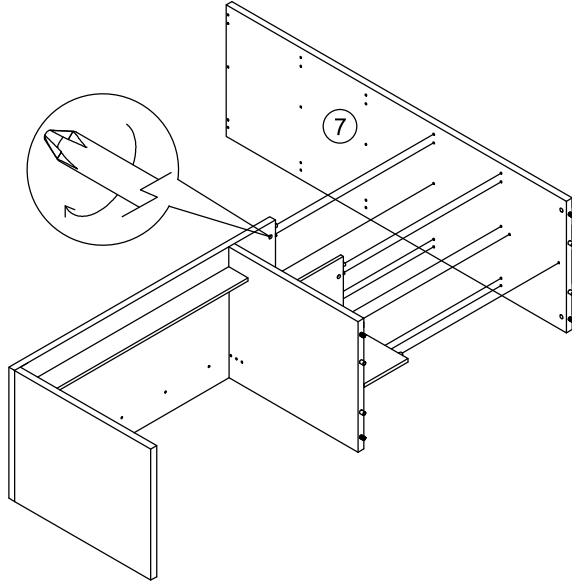


# NEXT

## EVIE S DESK

G70228  
Assembly instructions

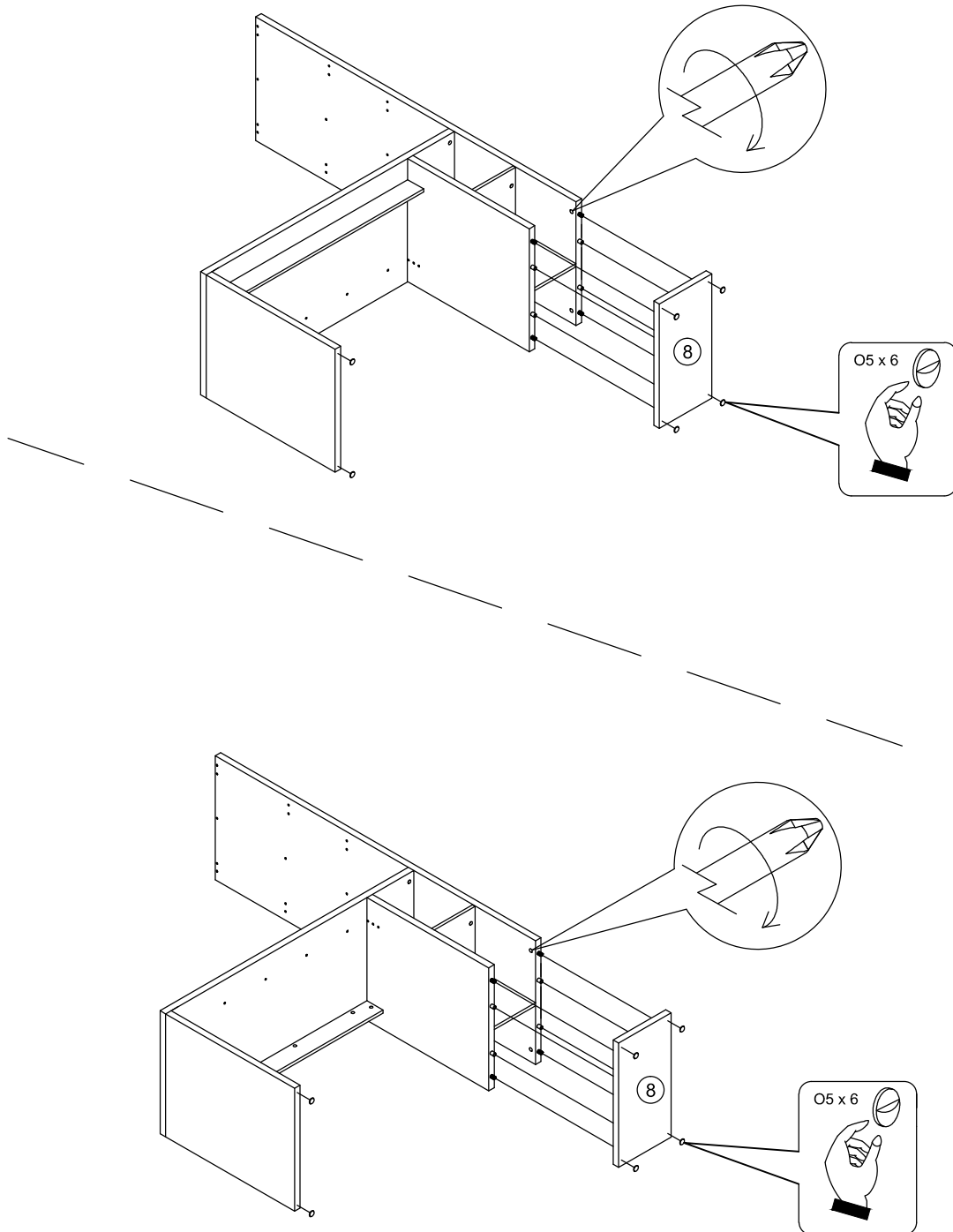
8



# NEXT EVIE S DESK

G70228  
Assembly instructions

9



O5

N/A

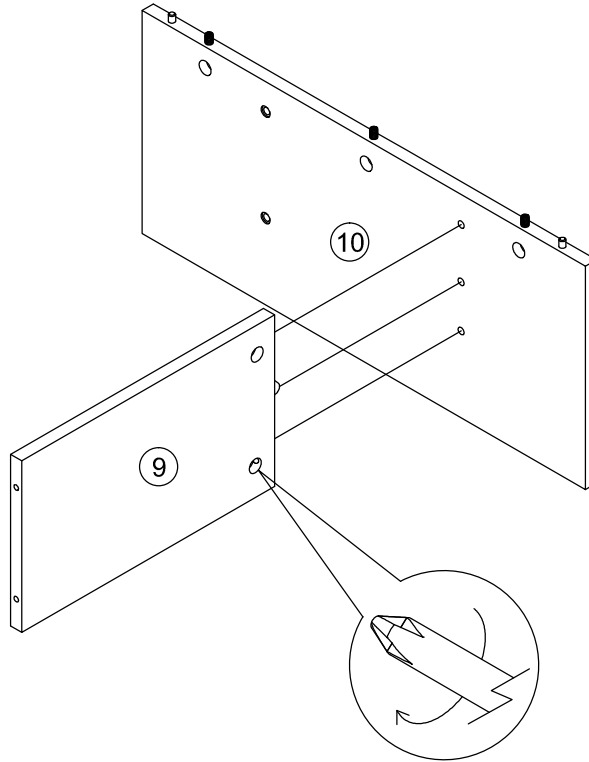
6



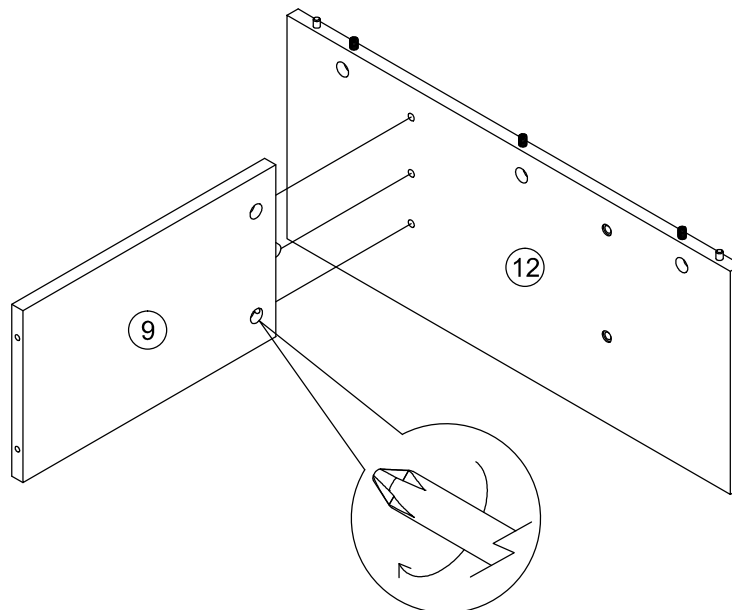
# NEXT EVIE S DESK

G70228  
Assembly instructions

10



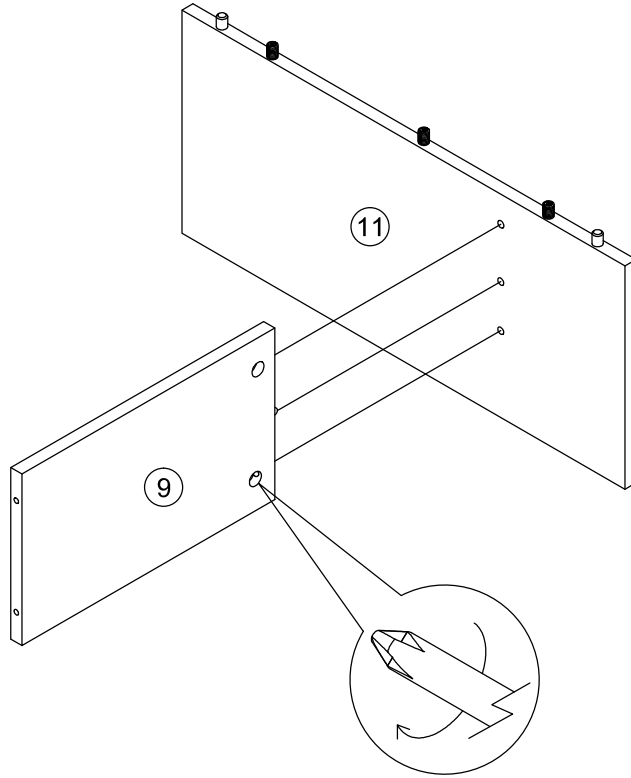
11



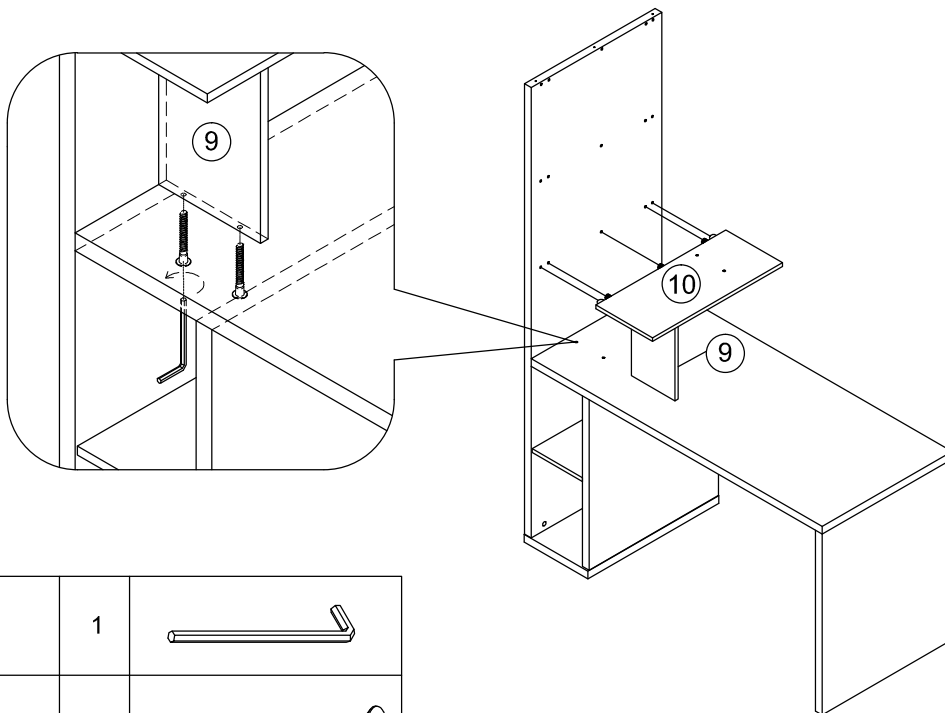
# NEXT EVIE S DESK



G70228  
Assembly instructions

12



13

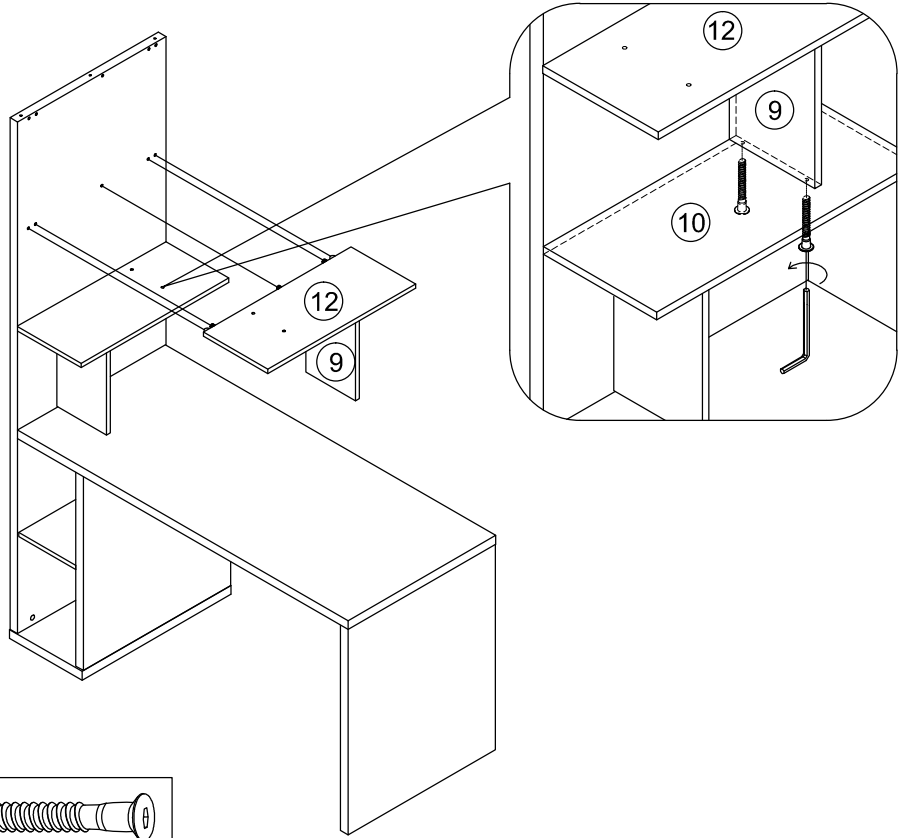


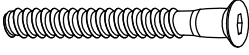
T4	N/A	1	
Y8	Ø6 x 50mm	2	

# NEXT EVIE S DESK

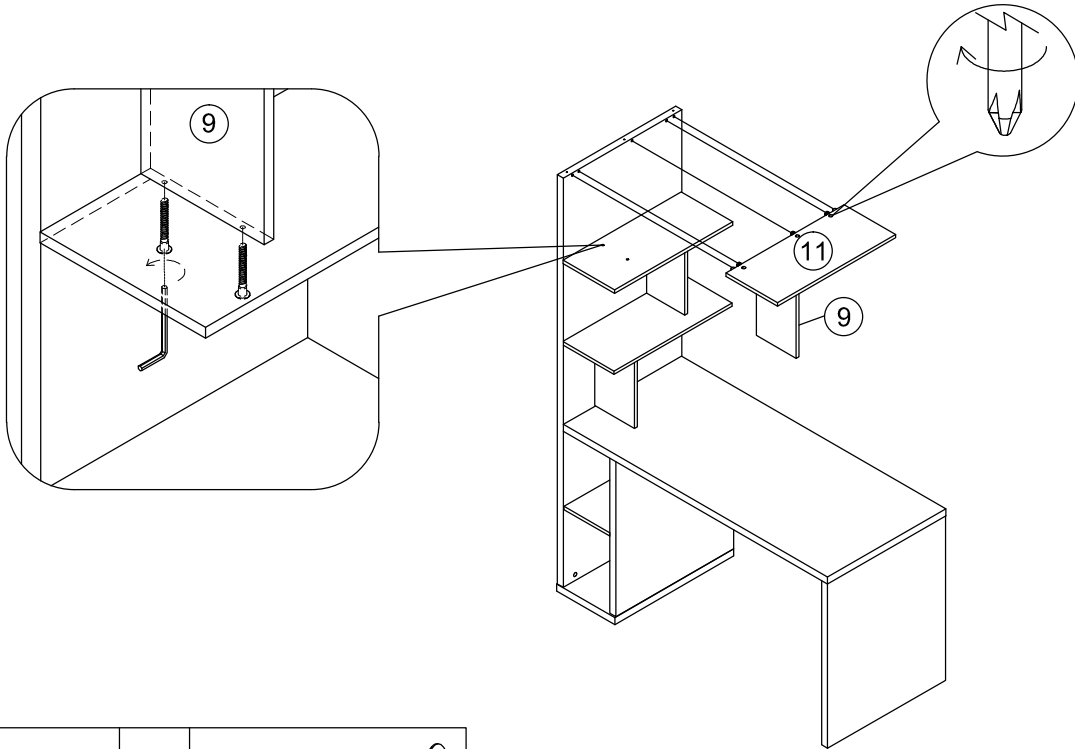
G70228  
Assembly instructions

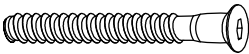
14



Y8	Ø6 x 50mm	2	
----	-----------	---	---

15

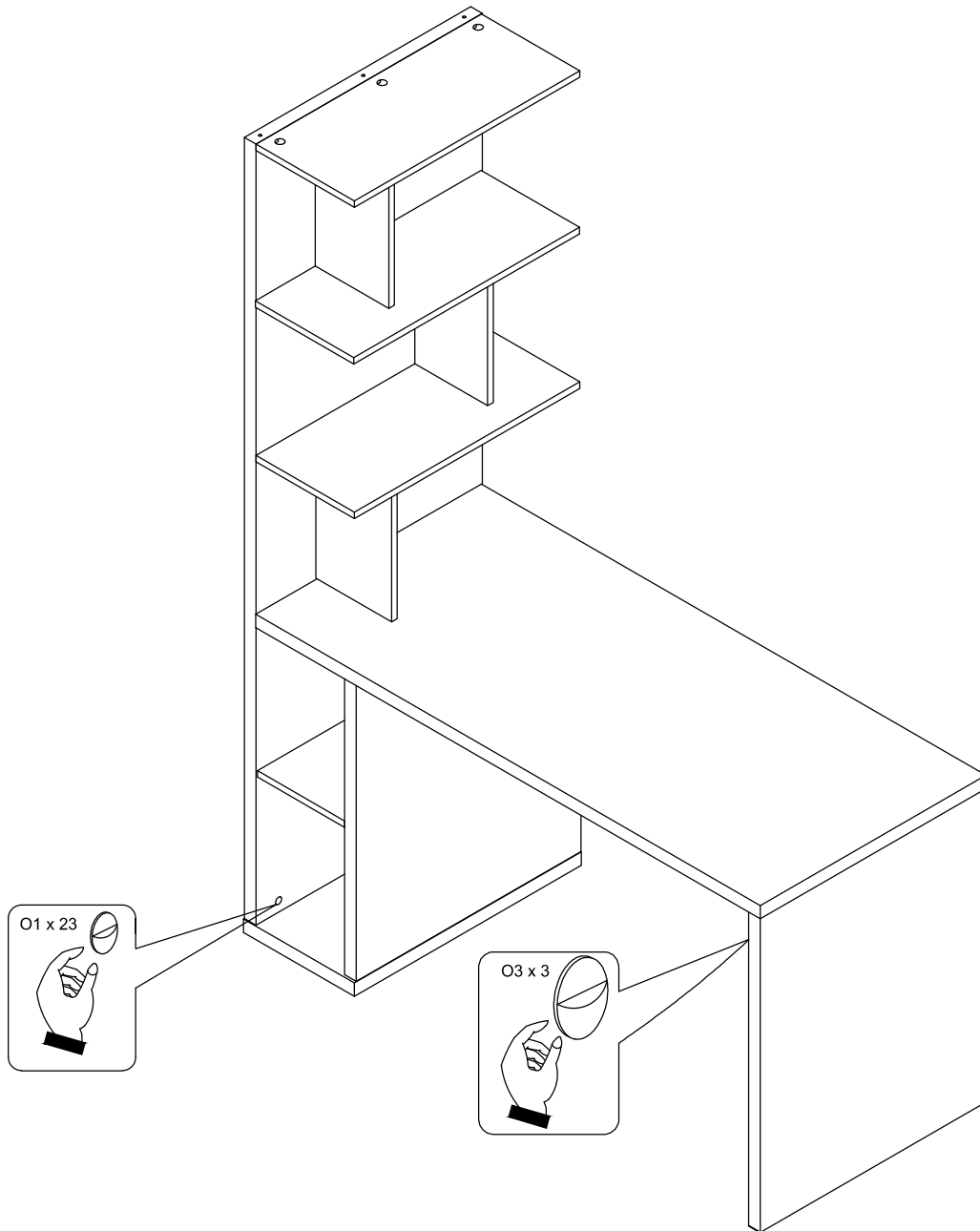




Y8	Ø6 x 50mm	2	
----	-----------	---	---

# NEXT EVIE S DESK

G70228  
Assembly instructions

16



O1	N/A	23	
O3	N/A	3	

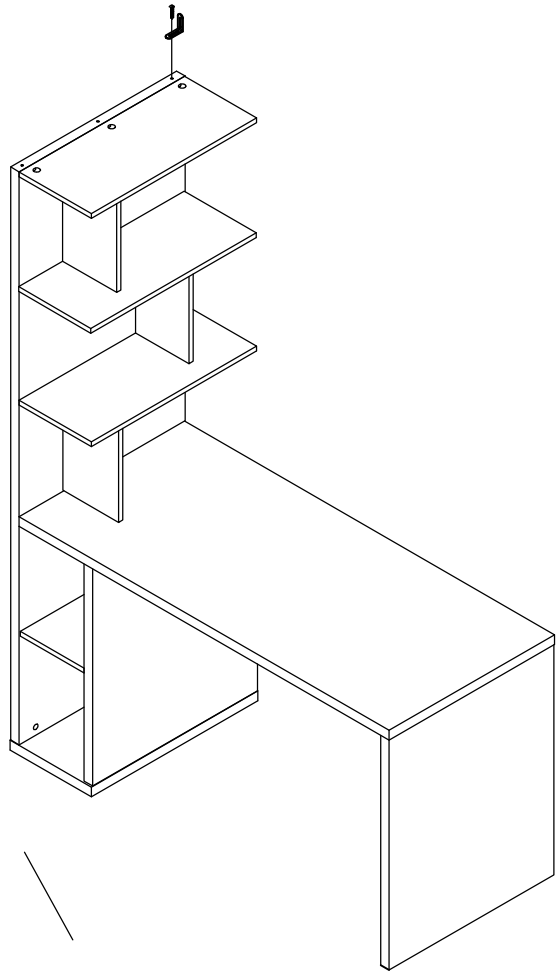
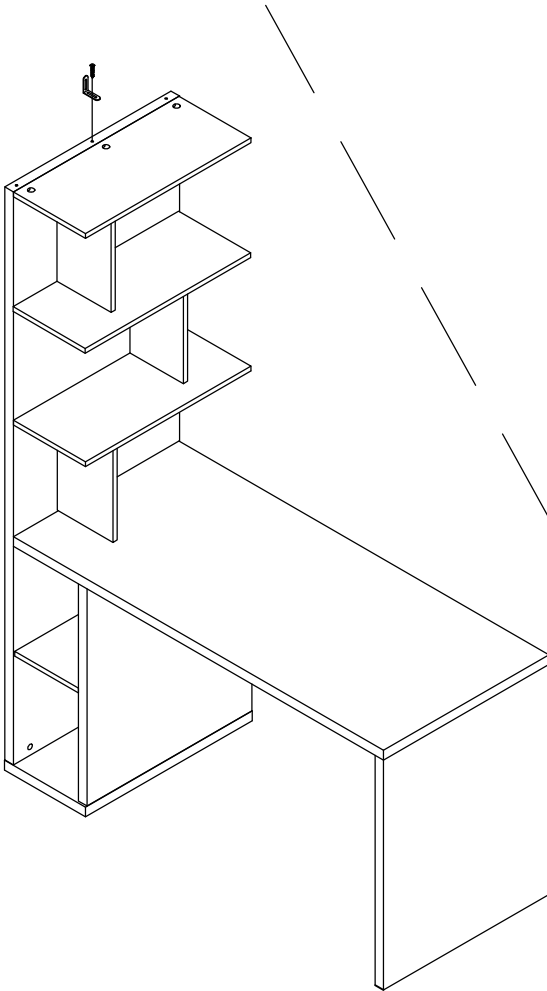
# NEXT EVIE S DESK




G70228  
Assembly instructions

17

First option

Second option



S41	∅4 x 16mm	1	  <small>not supplied</small>
N1	N/A	1	

# NEXT EVIE S DESK

G70228  
Assembly instructions

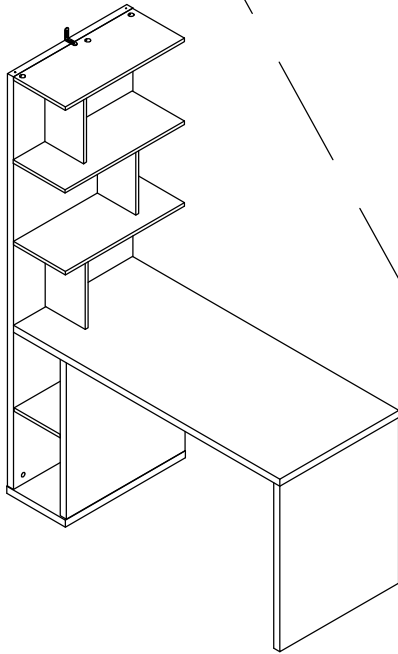
18

We recommend the use of the wall attachment bracket/strap provided for safety reasons. Move unit into desired position. Secure the 1X"L" metal brackets to the wall with an appropriate screw and wall plug for your wall type (not provided).

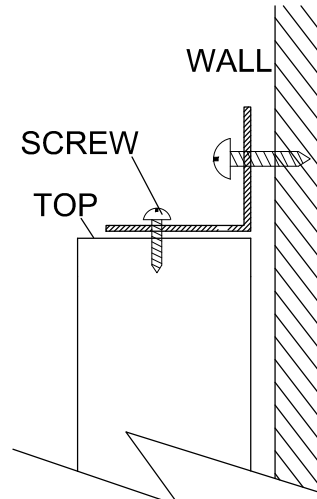
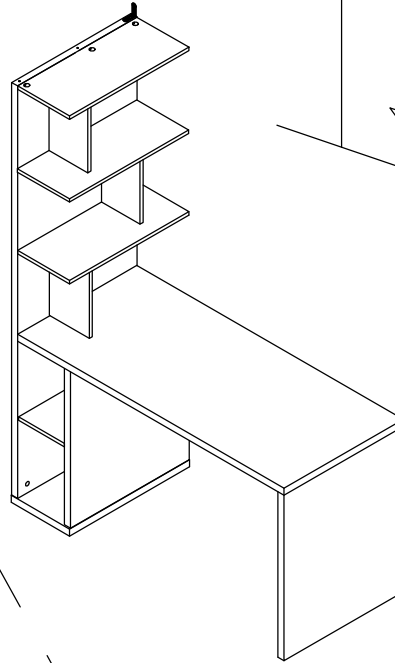
Warning: Always ensure intended wall area to be drilled is free from hidden electrical wires, water and gas pipes.

NB: Wall fixings are not included-Please source suitable fixing for your wall type. If in doubt please consult a qualified trades person.

First option



Second option

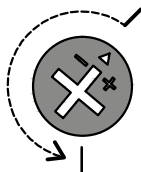


### WHEN LOOSENING THE CAM

TURN THE CAM IN A COUNTERCLOCKWISE DIRECTION UNTIL THE ARROW POINTS IN THE POSITION SHOWN IN THE DIAGRAMS BELOW



MAXIMUM  
LOCK



TURN  
TO UNLOCK



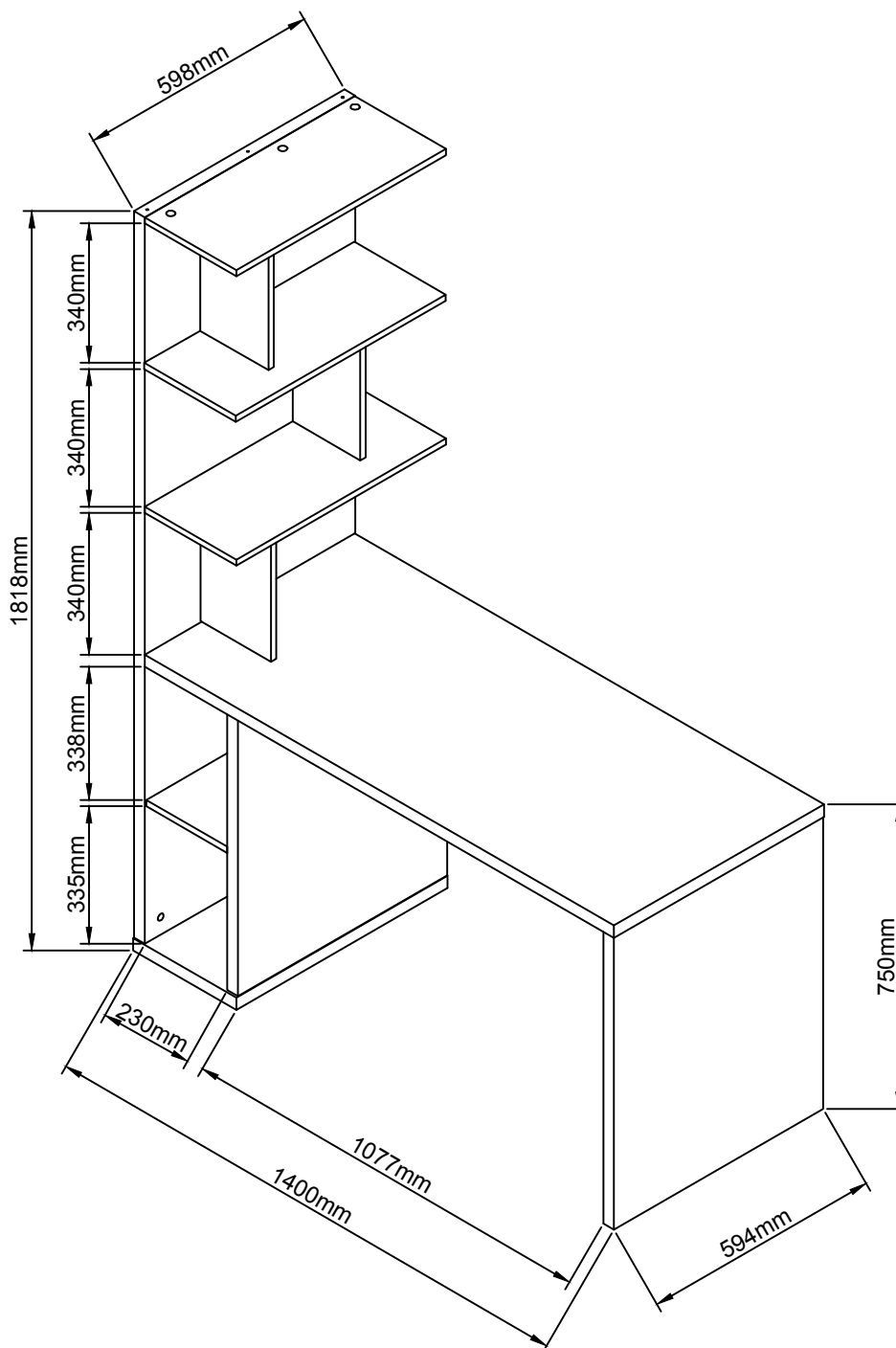
UNLOCKED

# NEXT EVIE S DESK

G70228

## Actual product size

H181.8 x W140 x D59.8 cm



# NEXT EVIE S DESK G70228

## Warnings

We suggest you retain these instructions for future reference.

Keep fittings out of children's reach and keep children well away from construction area.

This product should only be used on firm level ground.

Please periodically check all fittings and re-tighten as necessary.

Please do not sit or stand on your furniture.

Avoid exposing the furniture to excessive heat or direct sunlight as this can cause deterioration of the colour.

Unwrap all packaging materials and place the components on top of the carton box or on a clean floor to protect it from damage

## Missing parts

If you are missing any fixtures and fittings for your product. Please contact our customer service team on 0333 777 8999 and they will be happy to arrange for a replacement to be sent to you free of charge.

## Home service technicians

If you have a fault with your product, please contact our customer service team on 0333 777 8999. If you have had the product for 28 days or less you may be offered a replacement, refund or for a fully trained home service technician to visit your home to assess the fault and repair the product where possible. If you have had the product for more than 28 days we will send an independent home service technician to review and repair the product where possible and recommend further action.

## You can write to us at

Home Customer Services  
Next Retail Ltd.  
Desford Road,  
Leicester,  
LE19 4AT

To view our full furniture range please visit [www.next.co.uk](http://www.next.co.uk)