

Assembly Instructions

# KETTLER

## Boston Table 120cm Round

JA121-RFM-C



### IMPORTANT

PLEASE KEEP THIS BOOKLET FOR FUTURE REFERENCE.  
THIS IS IMPORTANT INFORMATION REGARDING THE  
USE AND CARE OF YOUR INDOOR FURNITURE.



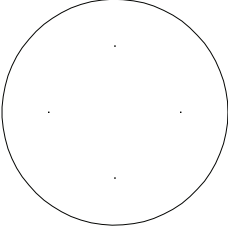
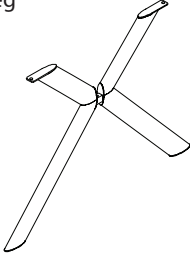
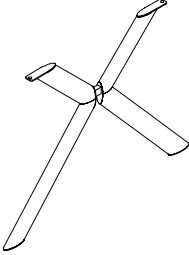

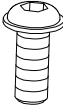
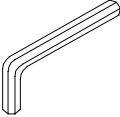
ASSEMBLY  
TIME




PERSONS  
REQUIRED

May 2025

# Parts List

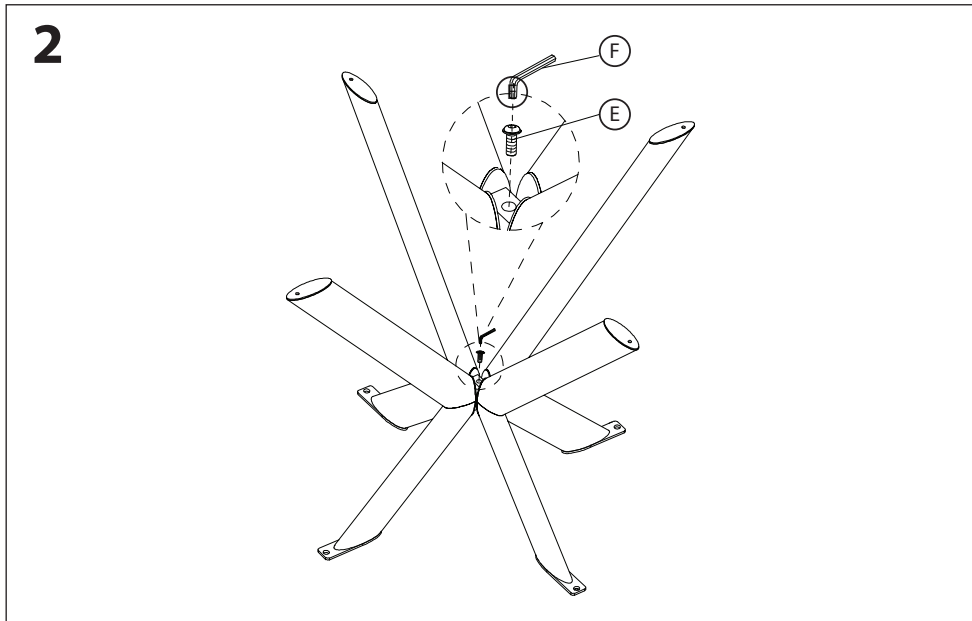
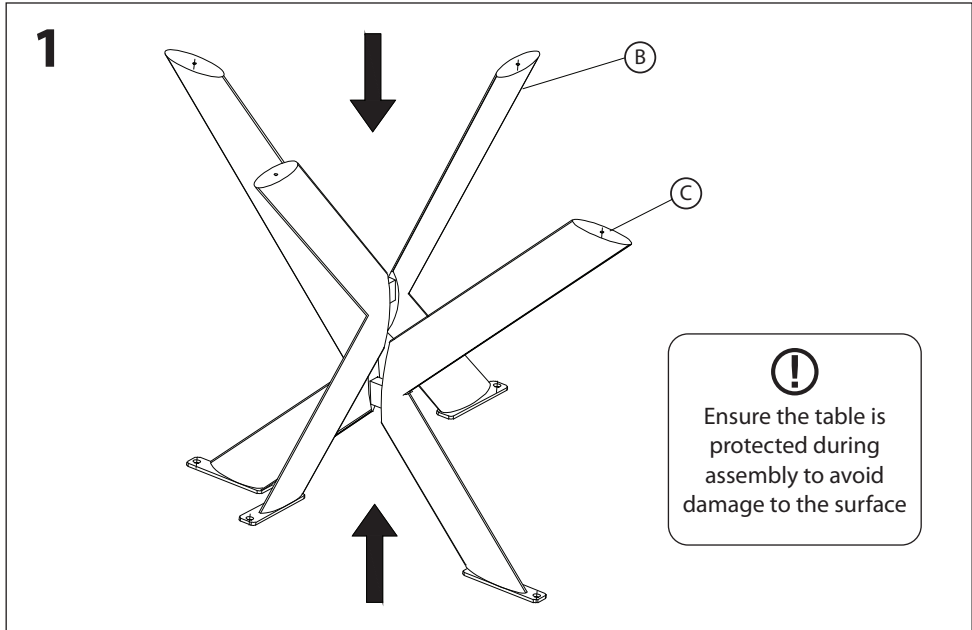
<p>(A) Table Top</p>  <p><b>x1</b></p>	<p>(B) Leg</p>  <p><b>x1</b></p>	<p>(C) Leg</p>  <p><b>x1</b></p>
<p>(D) Bolt M8 x 16</p>  <p><b>x4</b></p>	<p>(E) Bolt M8 x 40</p>  <p><b>x1</b></p>	<p>(F) Allen Key</p>  <p><b>x1</b></p>

 Do not discard any of the packaging until you have checked that you have all the parts and the pack of fixings.

## Helpful advice before you begin:

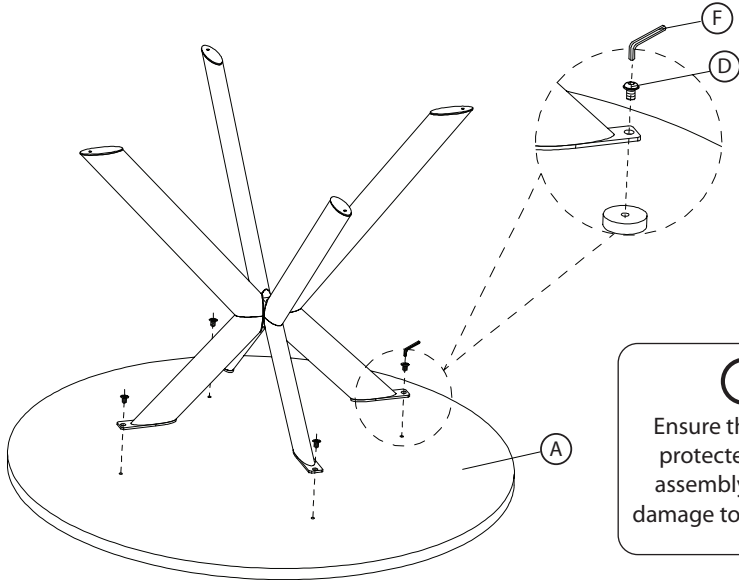
1. We suggest you spend a short time reading through this leaflet and then follow the simple step by step instructions.
2. Do not discard any of the packaging until you have checked that you have all the parts and the pack of fittings.
3. Assemble this product on a soft surface.
4. To ensure an easier assembly, we strongly advise that all fittings are only finger tightened during initial assembly. Only upon completion of the assembly should all fixing points be fully tightened.
5. Keep fittings out of children's reach.
6. Do not use any other tools other than those recommended to build this product.
7. Please do not use substitute parts. Use only additional or replacement parts supplied by Kettler.
8. In the unlikely event that this product has missing or damaged parts, please visit our website [www.kettler.co.uk](http://www.kettler.co.uk)

# Assembly



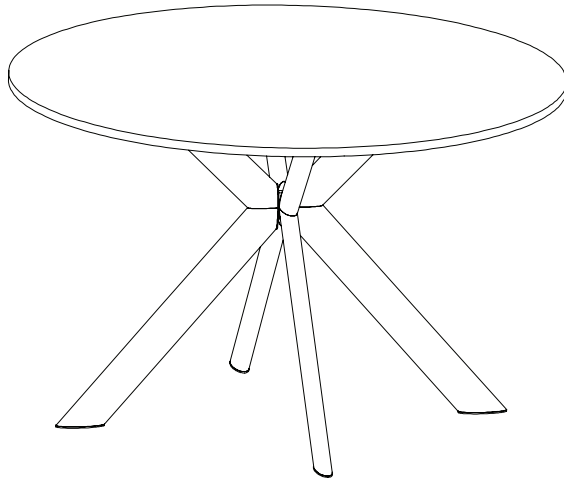
# Assembly

**3**



**!**  
Ensure the table is protected during assembly to avoid damage to the surface

**4**



**Finished**

# Maintenance and Care Instructions

This product may only be used for its intended purpose for residential premises. Any other uses may affect the warranty.

**To keep your dining table in great condition, we recommend the following regime:**

- Start by wiping any crumbs/debris from the table top, then spray a cleaning solution of mild dish soap and water onto the table's surface. Avoid any abrasive chemicals.
- Scrub the table clean with a microfibre cloth, wiping in a circular motion, before drying with a different, dry cloth.
- Remove food and drink residue as soon as possible to avoid staining.
- Do not leave hot items directly on the table. Coasters will protect your table from heat and water rings.
- Do not drop anything sharp or heavy onto the table.
- Take care when placing items onto the table to avoid scratches.
- Moving parts should be lubricated regularly.

**Failure to comply with the outlined instructions will result in the warranty being invalidated.**



For more information view our  
'How-To' and maintenance videos:  
[kettler.co.uk/how-to-guides](https://kettler.co.uk/how-to-guides)

# For Your Safety

- This product may only be used for its intended purpose as furniture for residential properties.
- Check all components regularly for correct function, damage and loose connections especially at the start of the season and at 1-2 month intervals dependent on use.
- Damaged components may endanger your safety or shorten the life of the product. Replace all damaged parts immediately. Use only spare parts manufactured by Kettler. Should you wish to purchase spare parts, they can be ordered directly from: [www.kettler.co.uk/shop](http://www.kettler.co.uk/shop)
- Kettler will not be responsible for damaged caused by improper use.



## Attention

- Whilst assembling this product keep out of the reach of children. (Choking hazard – contains small parts)
- Ensure that your working area is free of possible sources of danger, for example don't leave any tools lying around.
- Always dispose of packaging material in such a way that it may not cause any danger. There is always a risk of suffocation if children play with plastic bags!
- We reserve the right to make changes for technical reasons.

**KETTLER**

[www.kettler.co.uk](http://www.kettler.co.uk)



PlanetMark

**KETTLER**

**2 Year**  
Warranty

## Warranty For Home Use

This product is covered by a 2 year warranty against manufacturing faults. This warranty applies to domestic use only. It does not cover commercial use, mis-use or accidental damage.

To validate your warranty, register at [www.kettler.co.uk](http://www.kettler.co.uk) and quote the product code from the front of this booklet.