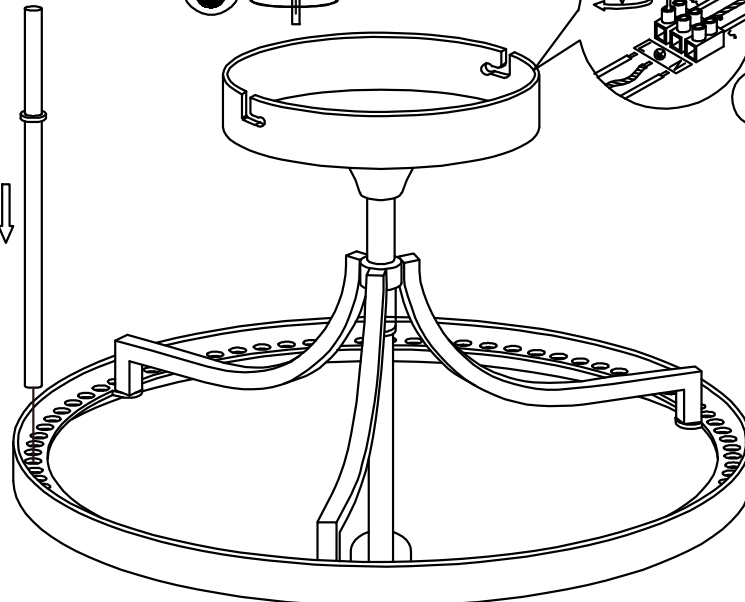
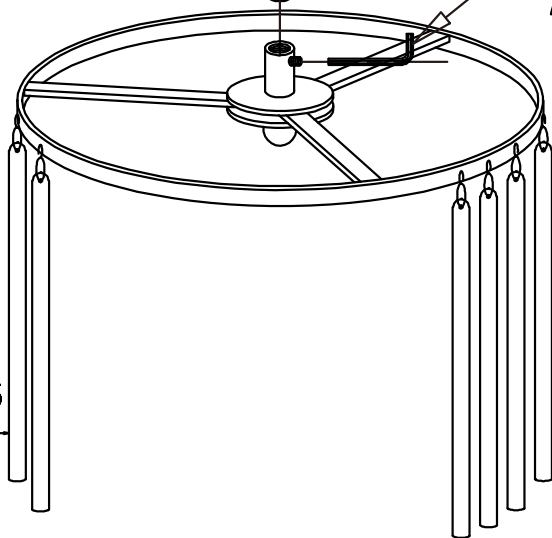


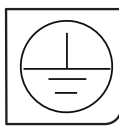
**10 x 86 pcs**



**9 x 66 pcs**

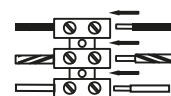


APPROVED  
19-01-26  
ISSUE 2



### MAINS SUPPLY

LIVE -Possible colours: Red or Brown  
EARTH -Unsleeved copper or (Green/Yellow)  
NEUTRAL -Possible colours: Black or Blue



### LIGHT FITTING

LIVE  
EARTH