

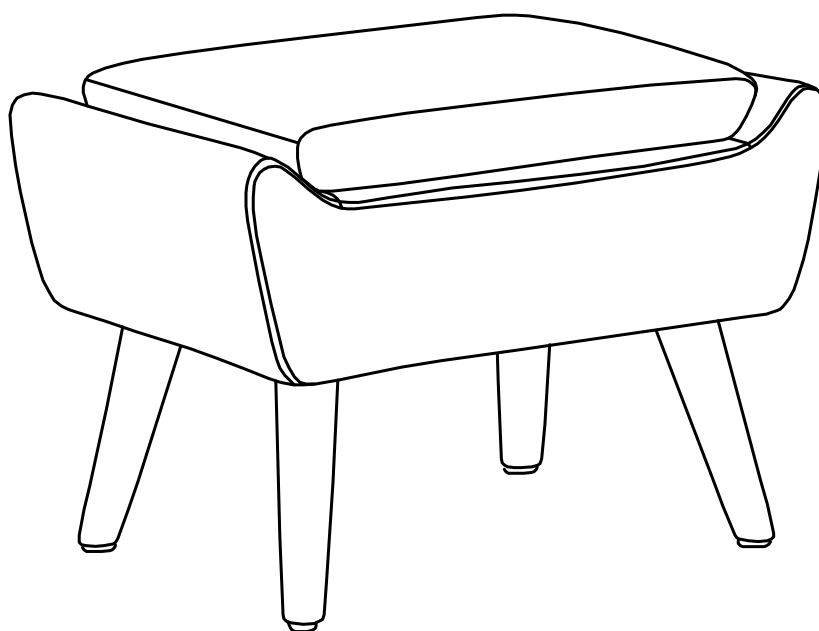
# NEXT

## WILSON STOOL

Assembly instructions

Actual product size

H44xW60xD40CMCM



Item number	Fabric name-Leg	Fabric composition
AM0744	Chunky Chenille Light Grey with Oak Legs	100% polyester
AM0745	Chunky Stripe Geo Grey with Oak Legs	100% polyester
AC7173	Soft Velvet Ochre with Bronx Legs	100% polyester
W42848	Oslo Faux Fur Light Natural with Oak effect leg	100% polyester
W42852	Soft Velvet Navy Blue with Dark Bronx Oak Effect	100% polyester
W42853	Soft Velvet Rust brown with Dark Bronx Oak Effect	100% polyester
G96588	Chunky Weave Mid Natural with Oak Effect Leg	100% polyester
G96589	Multi Chenille Multi with Oak Effect Leg with gold cap	100% polyester
V55615	Heritage Check Dark Green with Oak Effect Leg	100% polyester

### IMPORTANT RETAIN FOR FUTURE REFERENCE

## Need Help?

With: Assembly instructions  
Missing or damaged parts

CALL: 0333 777 8999

# WILSON STOOL

## Assembly instructions

### BEFORE YOU START

Number of people required to assemble

One people are required to assemble this item

**Time to assemble:** 15 minutes



#### Do's

We suggest you spend a short time reading through this leaflet before you start.

When you are ready to start, make sure that you have the right tools and space.

Unwrap all packaging materials and place the components on a clean surface to protect it from damage, We recommend that the packaging is used to protect the surfaces during assembly.

Carefully check that you have all the parts before beginning assembly. Ensure the product is fully assembled as illustrated and all fixings fully tightened before use. Check fixings regularly to ensure they remain tight. Always wipe dry after cleaning.

For the PU chairs, please lightly brush clean or lightly wipe with a slightly dampened cloth. Keep away from strong heat sources. Occasional overall cleaning should be carried out approximately once a month by using a slightly damp-ened soft cloth. Then buff with a dry clean soft cloth.

#### Don'ts

Never allow any kind of liquid to remain on your furniture. Absorption can cause wood to warp or finishes to de-laminate.

Do not stand or lean back on your chairs.

Do not use silicone based furniture polish. Silicone in furniture polishes can break down the lacquer finish.

#### Missing parts

If you are missing any fixtures and fittings for your product please contact our customer service team on 0333 777 8999 and they will be happy to arrange for a replacement to be sent to you free of charge.

#### Warnings

We suggest you retain these instructions for future reference. Keep fittings out of children's reach and keep children well away from construction area. This product should only be used on firm level ground. Please periodically check all fittings and re-tighten as necessary.

Avoid exposing the furniture to excessive heat or direct sunlight as this can cause cracking of the wood and deterioration of the colour.

Unwrap all packaging materials and place the components top of the carton box or on a clean floor to protect it from damage.

#### Home service technicians

If you have a fault with your product please contact our customer service team on 0333 777 8999. If you have had the product for 28 days or less you may be offered a replacement, refund or for a fully trained home service technician to visit your home to assess the fault and repair the product where possible. If you have had the product for more than 28 days we will send an independant home service technician to review and repair the product where possible and recommend further action.

#### You can write to us at

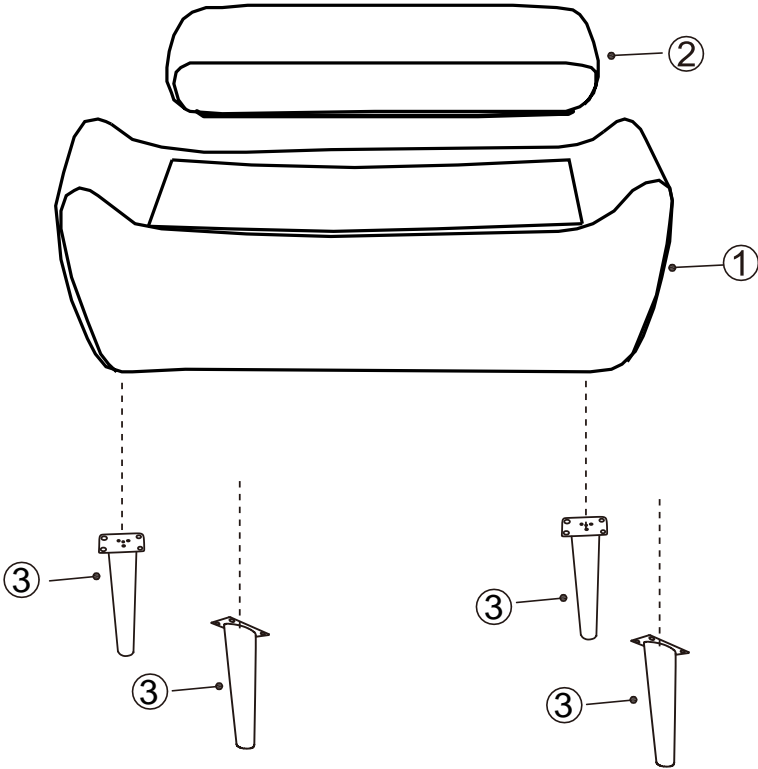
Home Customer Services  
Next Retail Ltd,  
Desford Road,  
Leicester  
Le194 AT

To view our full furniture range  
please visit [www.next.co.uk](http://www.next.co.uk)

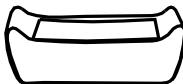
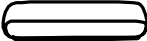

### Need Help?

With: Assembly instructions  
Missing or damaged parts  
**CALL: 0333 777 8999**

GETTING TO KNOW YOUR PRODUCT



Components supplied. Please use this guide if you require replacement parts.

Ref	Dimension	Visual	Qty
1	Seat: H20xW60xD44CM		1
2	Back Cover: 9.5x50x35.5CM		1
3	Wooden Legs: 18x4.5x2.5CM		4

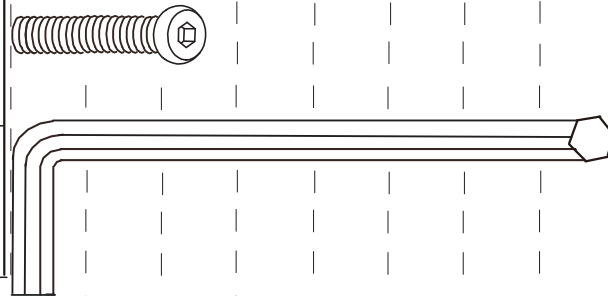
# WILSON STOOL

## Assembly instructions

Fixtures and fittings  
supplied (actual size)

Ref	Dimension	Qty	Spare
A	M6x20mm	16	2
B	M6x80mm	1	0

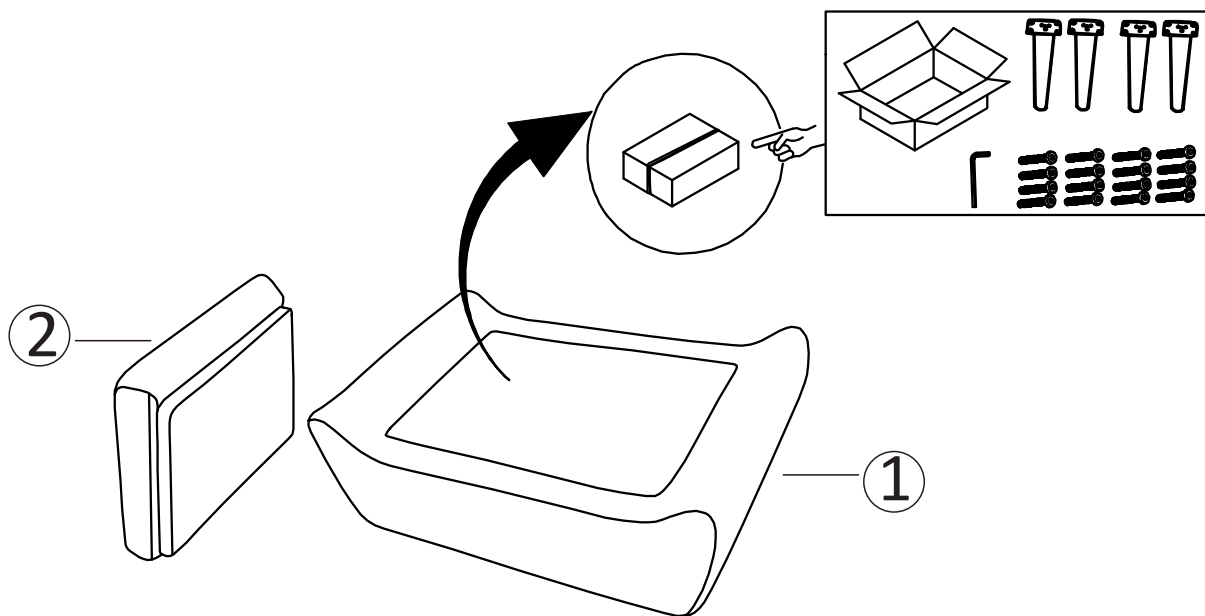
mm 10 20 30 40 50 60 70 80 90 100 110 120 130




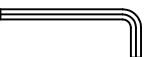
# WILSON STOOL

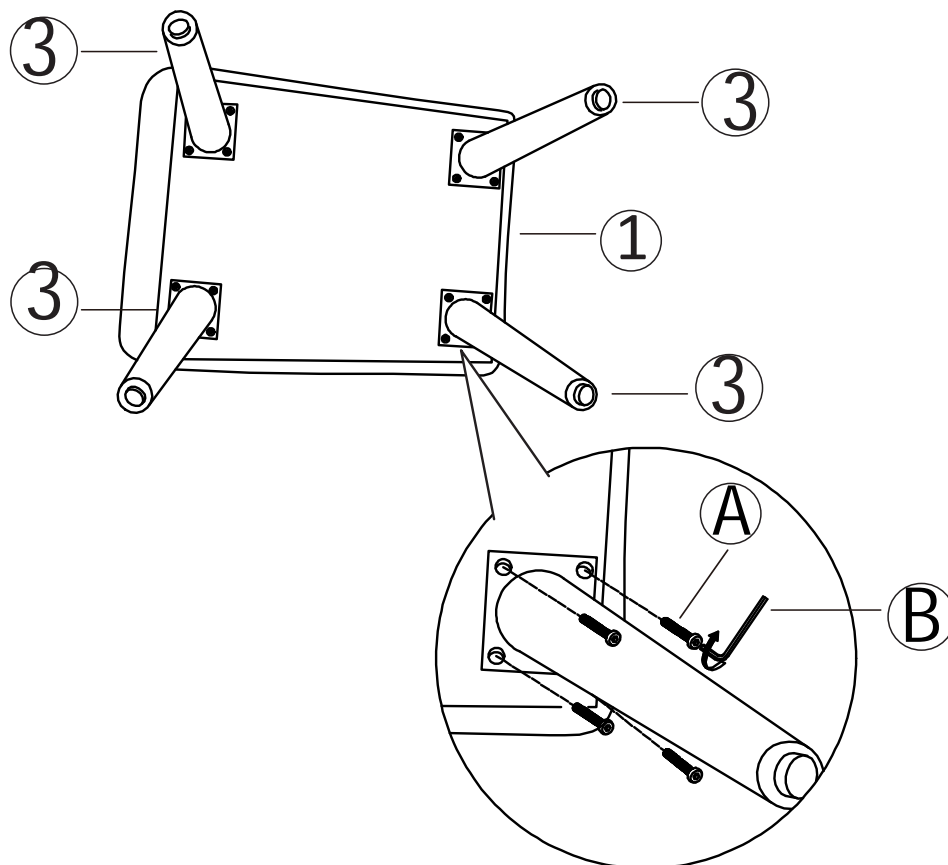
Assembly instructions

1



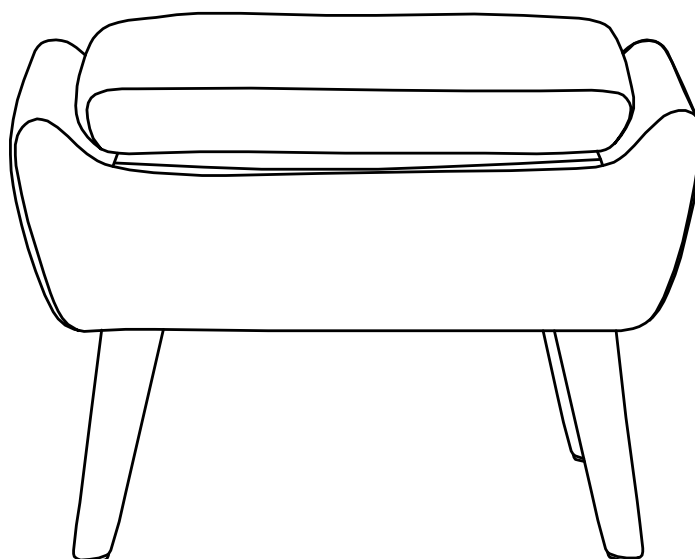
2

Ax16
 M6x20mm
Bx1
 M6x80mm



WILSON STOOL  
Assembly instructions

3



# NEXT

## WILSON STOOL Assembly instructions

Actual product size  
H44xW60 xD40CMCM

CAUTION: Maxium weight capacity of this chair is 110kg.

