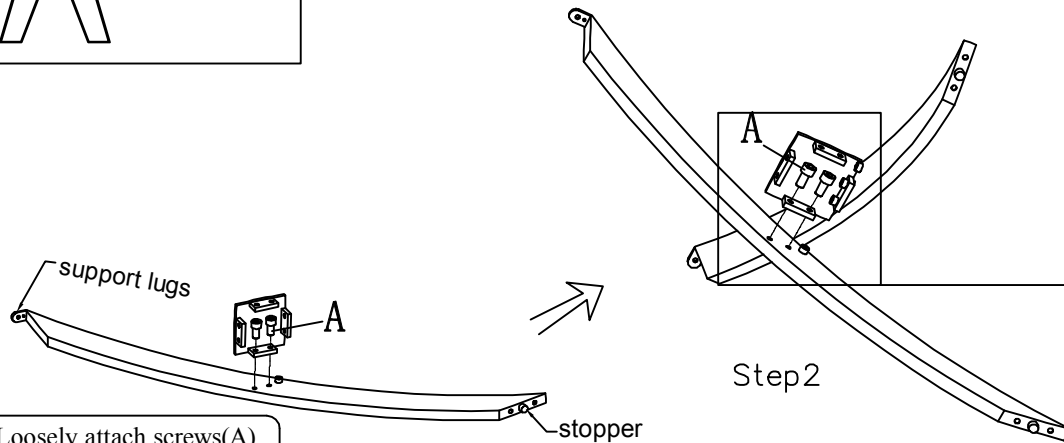


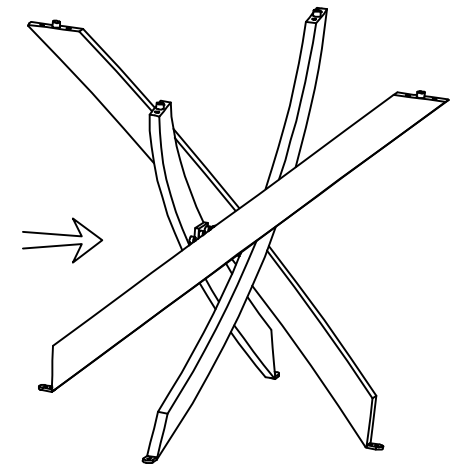
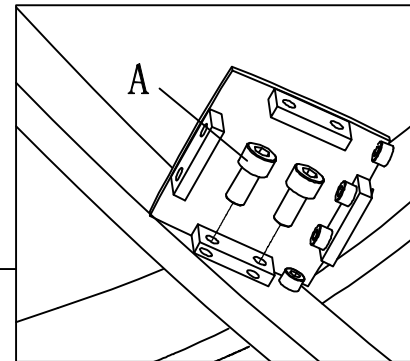
# ASSEMBLY INSTRUCTION



Loosely attach screws(A) to middle metal plate of legs.

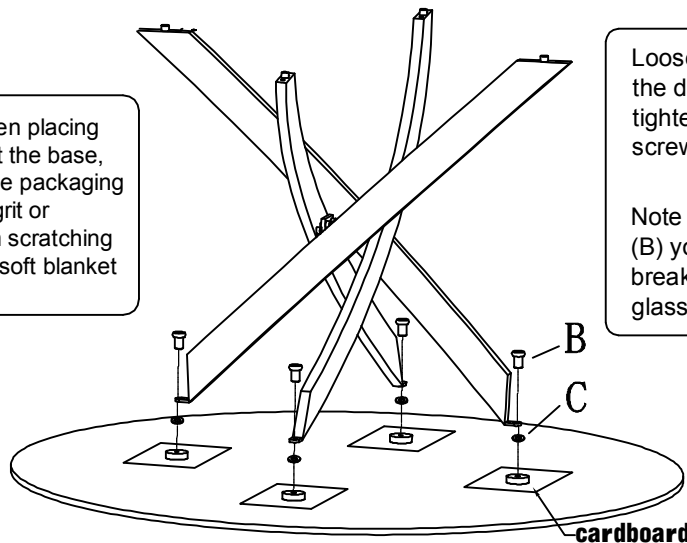
Step1

Step2



Step3

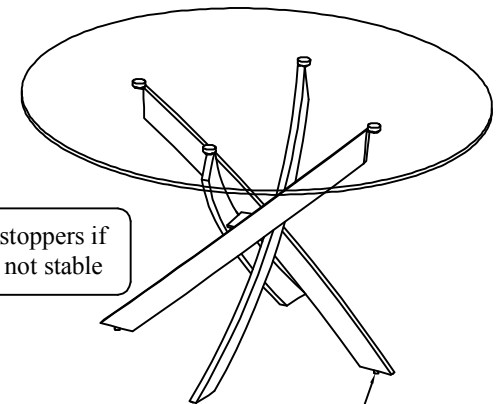
**IMPORTANT NOTE:** When placing table top on the floor to fit the base, please keep this inside the packaging to prevent any traces of grit or particles on the floor from scratching the glass. Alternatively a soft blanket can be used.



Step4






Loosely attach screws(B) to the disks on the glass, and then tighten screws(A). Finally, tighten screw (B).

Note -Do not over tighten screws (B) you may strip the thread or break the disk away from the glass.



Stopper adjustable Step5

## FITTING PARTS LIST

A	B	C	D	E
 M8x16	 M8x12	 PVC		
8 PCS	4 PCS	4 PCS	1 PC	1 PC