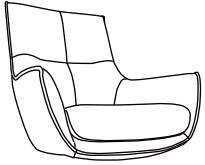


ASSEMBLY INSTRUCTION

Ax1

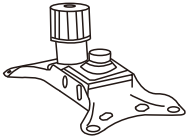


Ex2

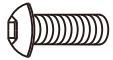


M6*25mm

Bx1

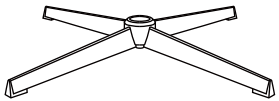


Fx2



M6*45mm

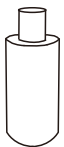
Cx1



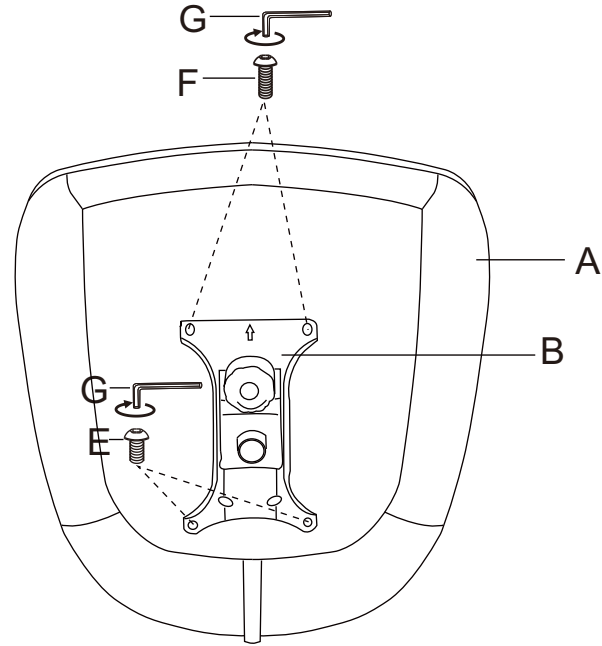
Gx1



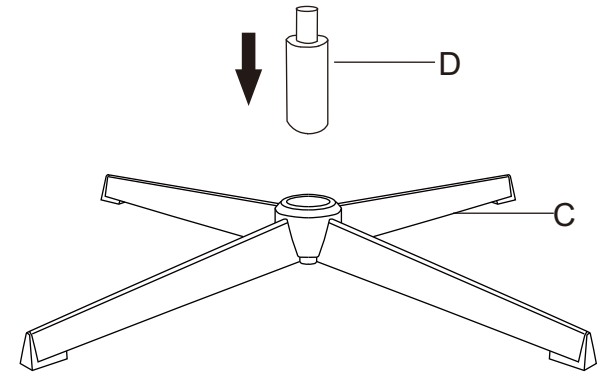
Dx1



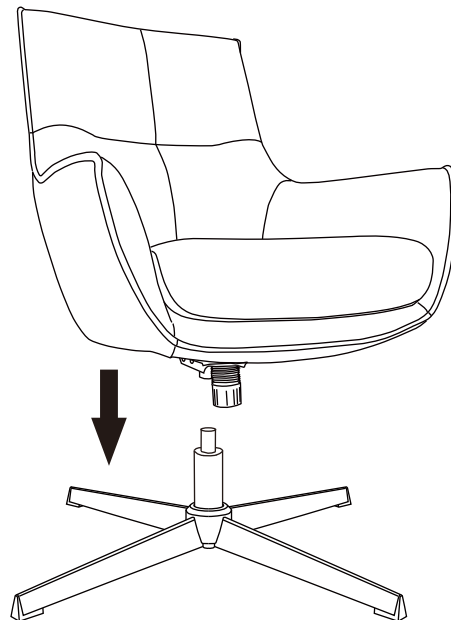
1



2



3



4

