

MADE⁺

ISOLDE

DINING TABLE

TABLE À MANGER

EETTAFEL

Esstisch

MESA DE COMEDOR

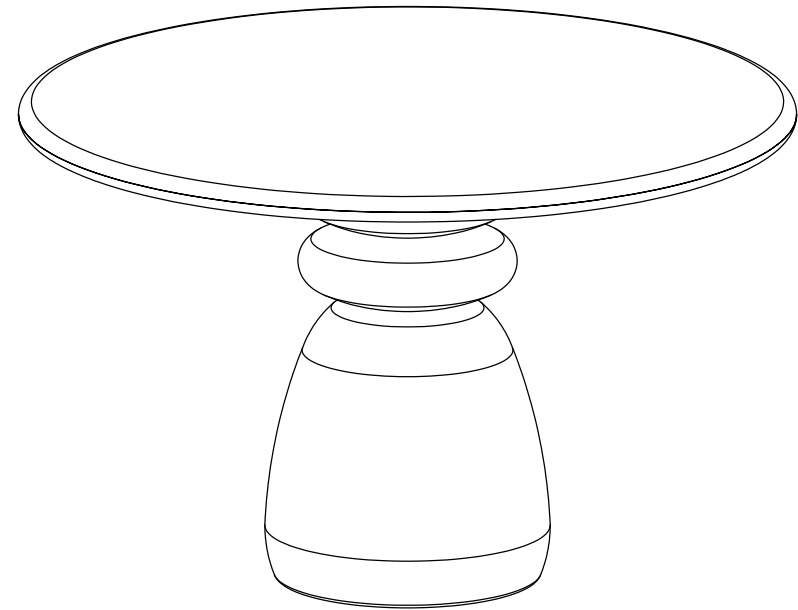
GB - Recommendations for the continual safe use of this product are stated on the final page of these instructions. Please retain for future reference.

FR - Les conseils d'utilisation de ce produit sont indiqués sur la dernière page de ces instructions. Veuillez les conserver pour vous y référer si besoin.

NL - Aanwijzingen voor veilig gebruik van dit meubel worden toegelicht op de laatste pagina van deze Instructies. Bewaar deze folder goed.

DE - Auf der letzten Seite dieser Anleitung findest du Hinweise für eine langfristig sichere Anwendung dieses Produktes. Bitte bewahre sie gut auf.

ES - Las recomendaciones para el uso continuado de este producto figuran en la última página de estas instrucciones. Por favor, consérvalas para futuras consultas.



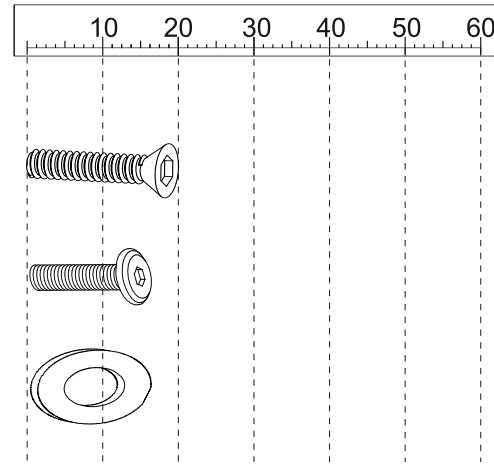
Isolde Dining table
Made In (INDIA)


CARE & MAINTENANCE




- We suggest you retain these instructions for future reference.
- Keep fittings out of children's reach and keep children well away from construction area.
- We recommend that the packaging is used to protect the surfaces during assembly.
- Carefully check that you have all the parts before beginning assembly.
- When you are ready to start, make sure that you have the right tools and plenty of space.
- Due to the size of the product we recommend that it is assembled in the room intended for use, in the location it is intended to be placed.
- This product should only be used on firm, level ground.
- Do not stand on the marble during assembly.
- Please do not sit or stand on your table once assembled.
- Ensure the product is fully assembled as illustrated and all fixings fully tightened before use.
- Check fixings regularly to ensure they remain tight.
- DO NOT attempt to lift the table by the top once assembled.

Fixtures and Fittings Supplied			
Ref	Dimensions	Qty.	Spare Qty.
D	06 x 20mm	8	1
E	06 x 16mm	8	1
F	08 x 16mm	8	1

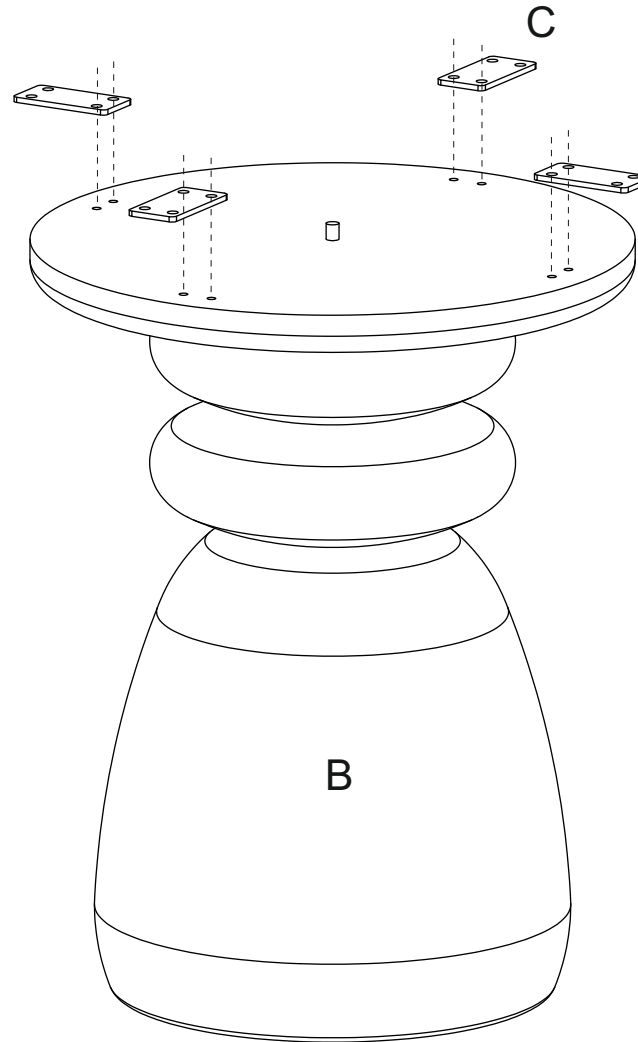
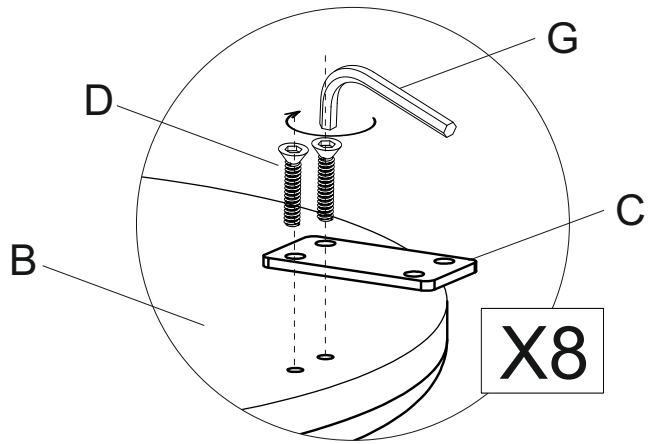




Fixtures and Fittings Supplied (Not To Scale)			
Ref	Qty.	Spare Qty.	Visual
G	1	N/A	

x 2 

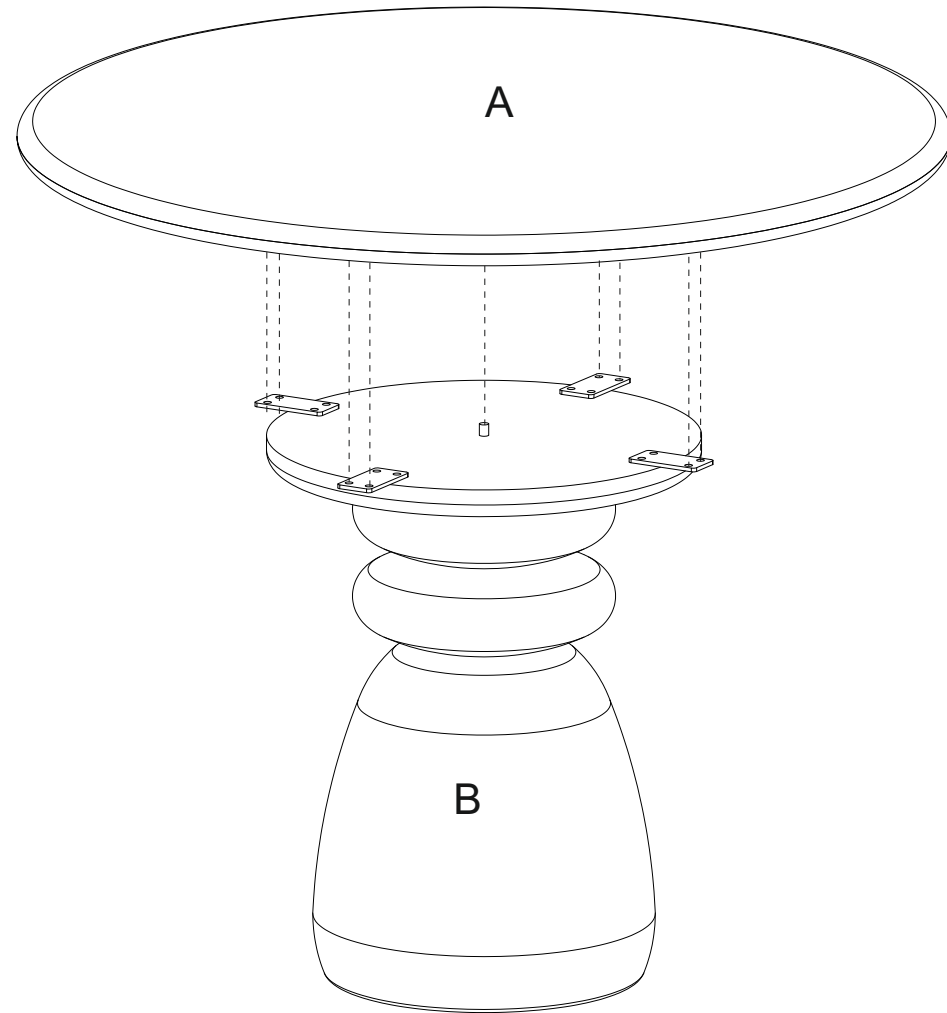
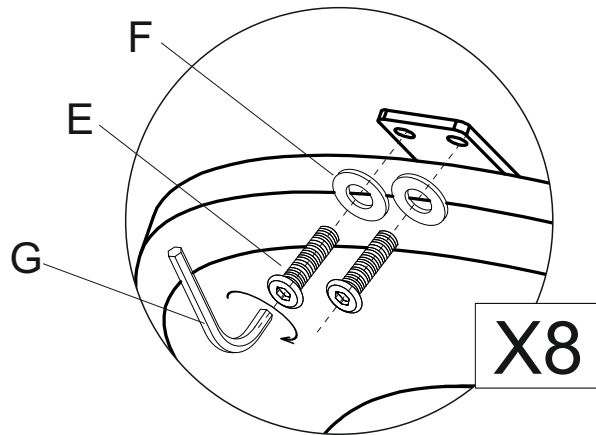
00:15 

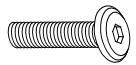


1

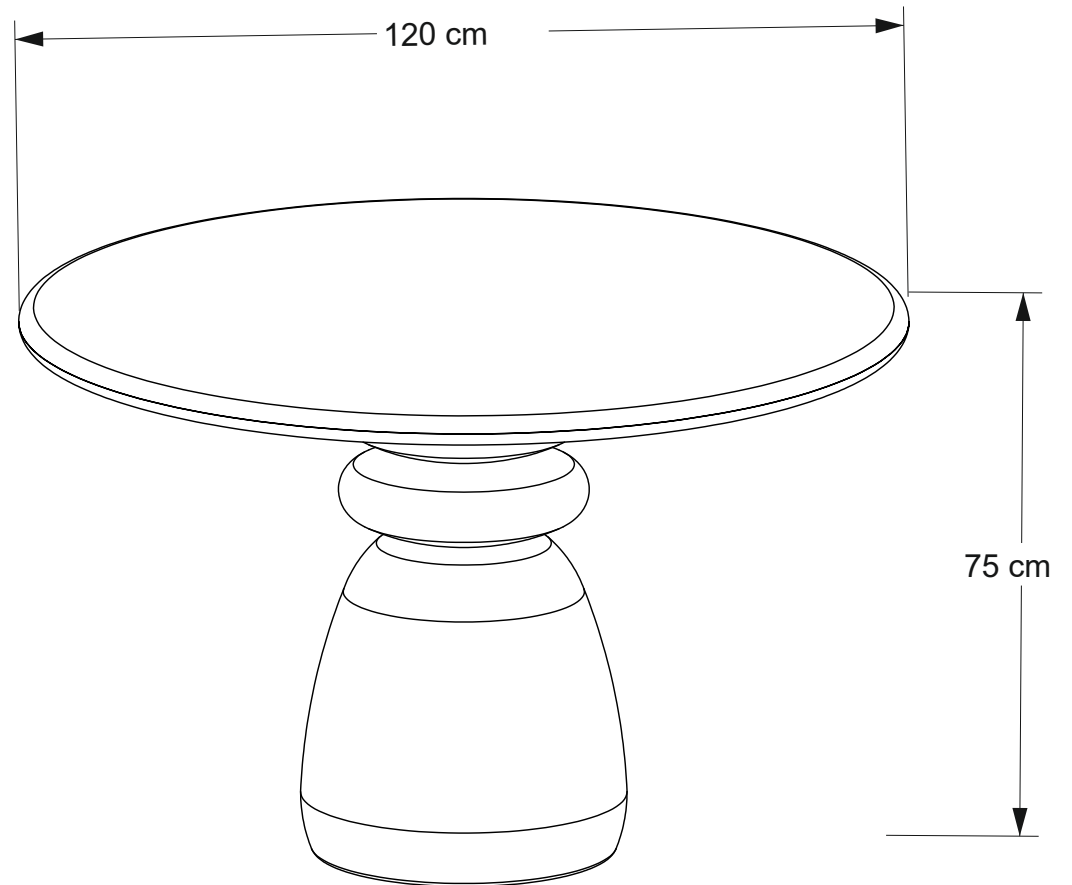


D	G
	

2



E	F	G
		



GB - Check regularly that all assembly fastenings are properly tightened and retighten when necessary

FR - Vérifiez régulièrement que toutes les fixations soient bien serrées et resserrez si nécessaire.

NL - Controleer regelmatig of alle bevestigingen goed zijn aangedraaid; draai ze indien nodig opnieuw aan.

DE - Regelmäßig kontrollieren, dass alle Beschläge und Verschraubungen gut festgezogen sind und sie bei Bedarf nachziehen.

ES - Comprueba regularmente que las fijaciones estén bien apretadas y vuelve a apretarlas en caso necesario.