

MADE⁺

ESTELLE

Corner Dining Set



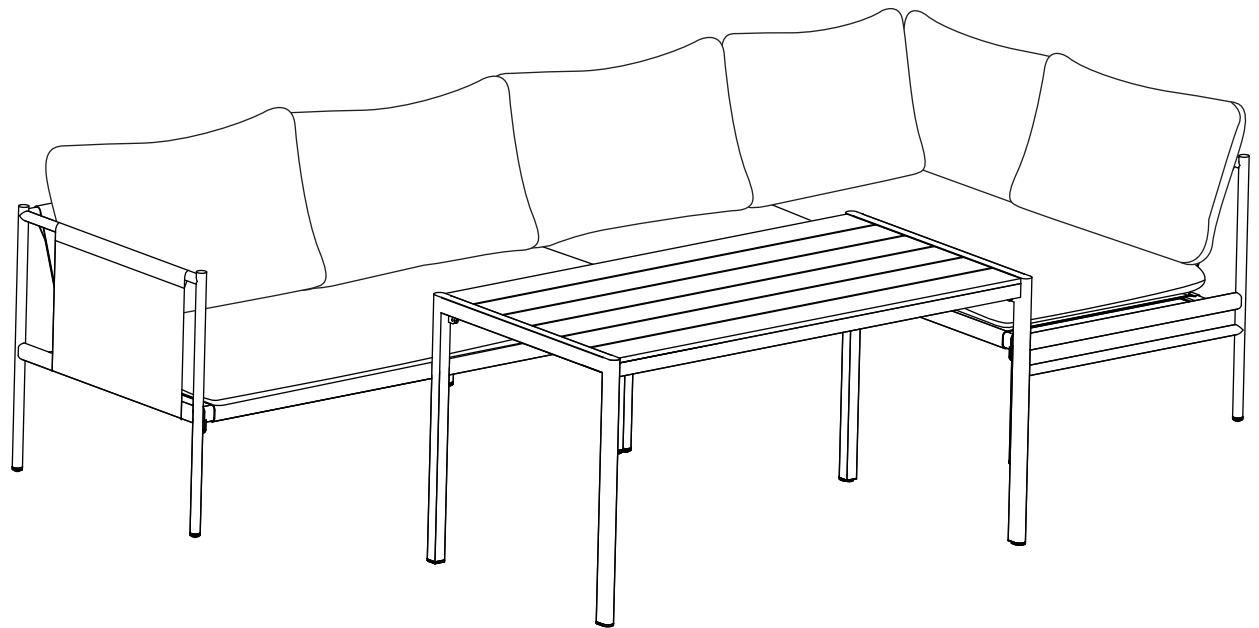
GB - Recommendations for the continual safe use of this product are stated on the final page of these instructions. Please retain for future reference.

FR - Les conseils d'utilisation de ce produit sont indiqués sur la dernière page de ces instructions. Veuillez les conserver pour vous y référer si besoin.

NL - Aanwijzingen voor veilig gebruik van dit meubel worden toegelicht op de laatste pagina van deze Instructies. Bewaar deze folder goed.

DE - Auf der letzten Seite dieser Anleitung findest du Hinweise für eine langfristig sichere Anwendung dieses Produktes. Bitte bewahre sie gut auf.

ES - Las recomendaciones para el uso continuado de este producto figuran en la última página de estas instrucciones. Por favor, consérvalas para futuras consultas.



Estelle Corner Dining Set - H23528/F19626
Made In China

BEFORE YOU START

Warnings

For domestic and outdoor use only.

We suggest you retain these instructions for future reference.

Keep fittings out of children's reach and keep children well away from construction area.

Please periodically check all fittings and re-tighten as necessary. Please do not sit or stand on your table.

Unwrap all packaging materials and place the components on top of the carton box or on a clean floor to protect it from damage.

This product should only be used on firm, level ground. Make sure the legs remain in contact with the ground.

Use glass cleaner or soapy water for cleaning, do not use anything abrasive as this may damage the surface of the product.

Do's

We suggest you retain these instructions for future reference.

We suggest you spend a short time reading through this leaflet before you start.

When you are ready to start, make sure that you have the right tools and plenty of space.

Unwrap all packaging materials and place the components on a clean surface to protect it from damage.

We recommend that the packaging is used to protect the surfaces during assembly.

Carefully check that you have all the parts before beginning assembly.

Please retain the assembly tools. You will need them in the future to re-tighten the bolts, or if you want to dismantle the furniture for storage.

Please make sure that the product is clean and dry before putting it into storage.

We recommended the use of furniture covers to protect your furniture when not in use. During severe weather conditions, please move your furniture inside.

To clean your items, please use mild detergent in warm water.

Rinse with clean water and dry thoroughly. Do not use abrasive cleaners, strong detergents, bleach, acid or solvents on the frame parts.

To prevent damage occurring due to high temperatures, please ensure coasters or placemats are used and avoid placing glass directly onto the surface.

To prevent damage from sunlight by removing glass or other clear items when not in use. Wipe any water droplets from the table surface.

When cleaning polywood, use a damp cloth or chamois, with soap or washing-up liquid if necessary.

Don'ts

Do not stand on your chair.

Do not sit on the arms of your chair. (Note: arm chair only)

When moving furniture never drag the pieces across the floor, as this will cause damage to the joints.

Please do not leave your product outside when not in use.

During bad weather and winter months the product should be dismantled and stored in a cool dry place.

Do not place extremely hot or cold items directly on top of the surface.

Do not use silicone based furniture polish.

Do not use the surface as a cutting board.

When cleaning polywood, never use washing powder or other products containing scouring agents, as these may scratch the surface.

Missing parts

If you are missing any fixtures and fittings for your product please contact our customer service team on 0333 777 8999 and they will be happy to arrange for a replacement to be sent to you free of charge.

Home service technicians

If you have a fault with your product please contact our customer service team on 0333 777 8999. If you have had the product for 28 days or less you may be offered a replacement, refund or for a fully trained home service technician to visit your home to assess the fault and repair the product where possible. If you have had the product for more than 28 days we will send an independent home service technician to review and repair the product where possible and recommend further action.

You can write to us at


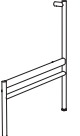
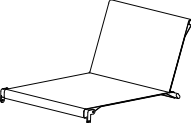

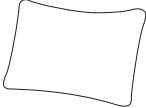
Home Customer Services
Next Retail Ltd,
Desford Road,
Leicester
LE19 4AT

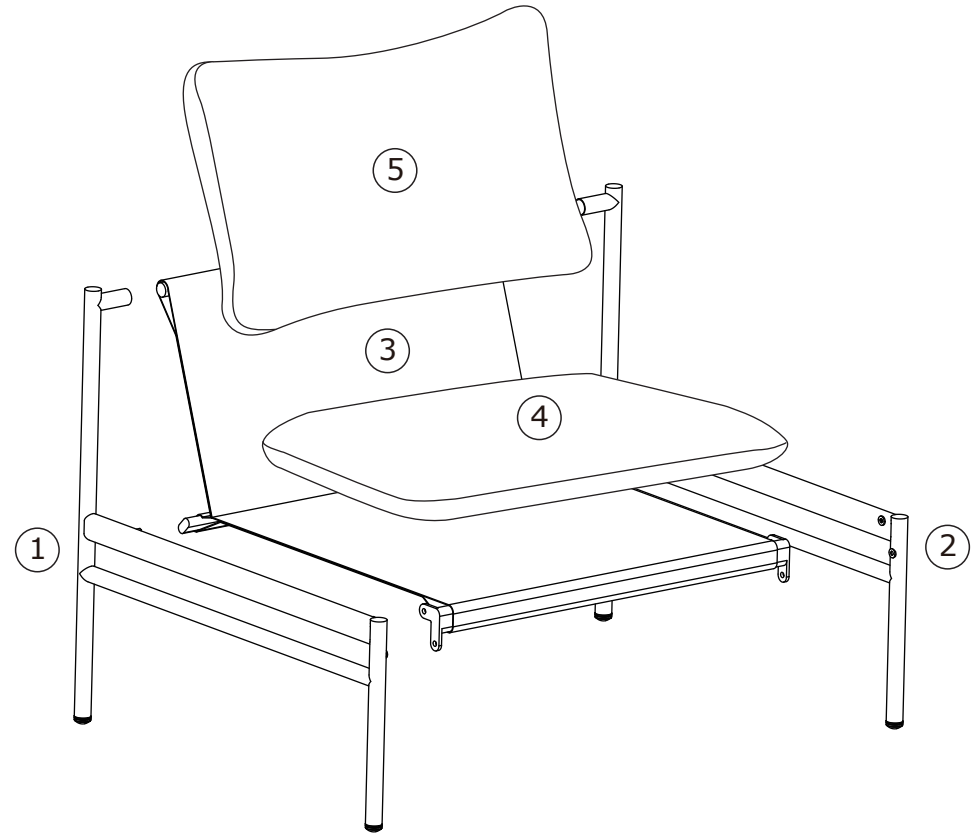
To View our full furniture range please visit www.made.com

CARE AND CLEANING:

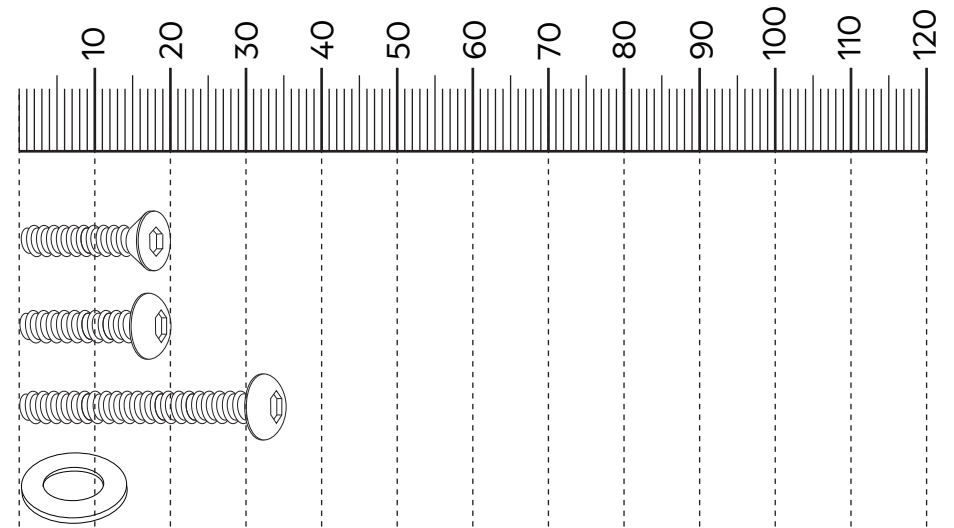
- 1.TO CLEAN, WIPE WITH DAMP CLOTH.DO NOT USE BLEACH, ACID SOLVENTS OR ABRASIVE CLEANERS OR FRAME PARTS.
- 2.DURING VARYING WEATHER CONDITIONS AND WINTER PERIOD, WE STRONGLY RECOMMEND THAT IT CAN BE STORED IN A DRY AREA WITH A SUITABLE COVER BEFORE STORAGE, PLS INSURE IT IS CLEAN AND DRY.
- 3.IN THE EVENT OF BARE METAL SHOWING DUE TO SCRATCH, IT IS PREFEREED TO TREAT WITH A RUST REPELLING VARNISH OR SIMILAR.
- 4.PERIODICALLY CHECK AND ENSURE THAT ALL THE SCREWS ARE COMPLETELY TIGHTEN.
- 5.A MATCHING FURNITURE COVER IS STRONGLY RECOMMENDED TO EXTEND THE USAGE LIFE-SPAN.


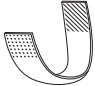
Components supplied. Please use this guide if you require replacement part.

Ref	Dimensions	Qty.	Ctn.
1		1pc	2
2		1pc	2
3		1pc	2
4		1pc	2
5		1pc	2



Fixtures and Fittings Supplied			
Ref	Dimensions	Qty.	Spare Qty.
A	M6 x 20mm	4	1
B	M6 x 15mm	2	1
C	M6 x 30mm	2	1
D	Φ14mm	4	2


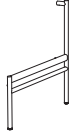
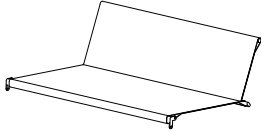
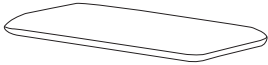
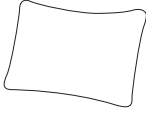


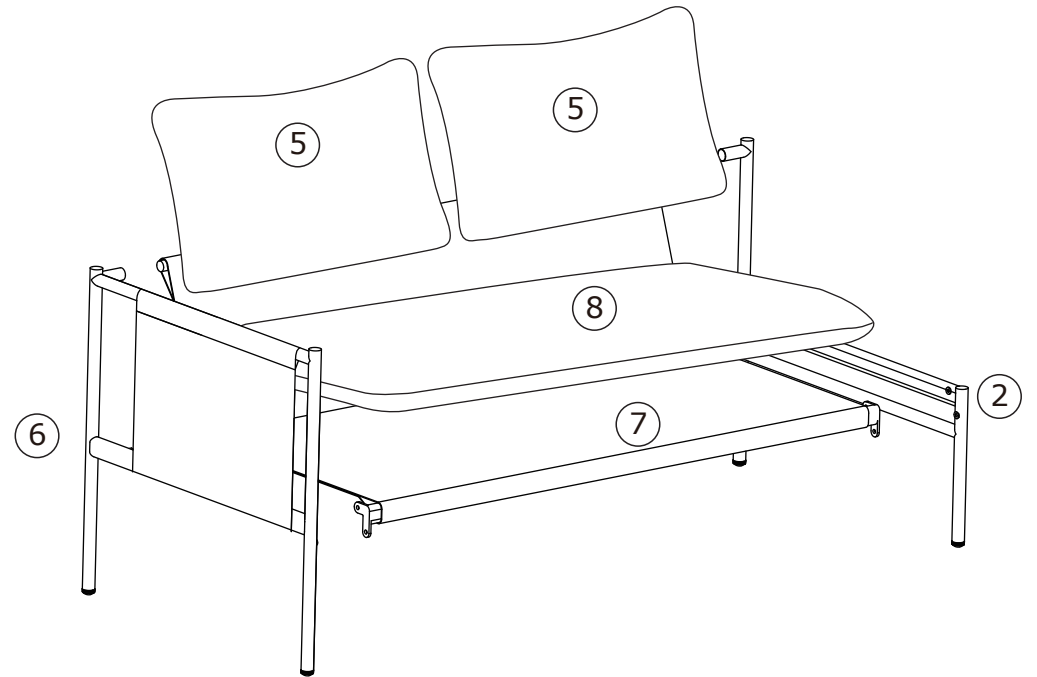
Fixtures and Fittings Supplied (Not To Scale)			
Ref	Qty.	Spare Qty.	Visual
E	1	N/A	
F	2	N/A	

2x 

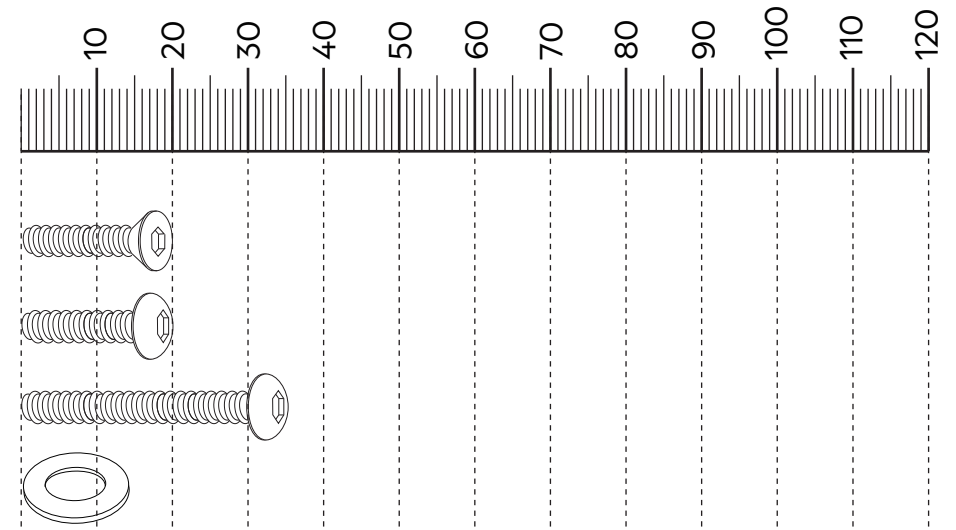
00:25 


Components supplied. Please use this guide if you require replacement part.

Ref	Dimensions	Qty.	Ctn.
6		1pc	2
2		1pc	2
7		1pc	2
8		1pc	2
5		1pc x 2	2


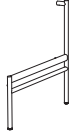
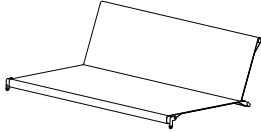

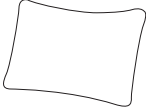
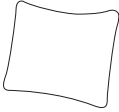


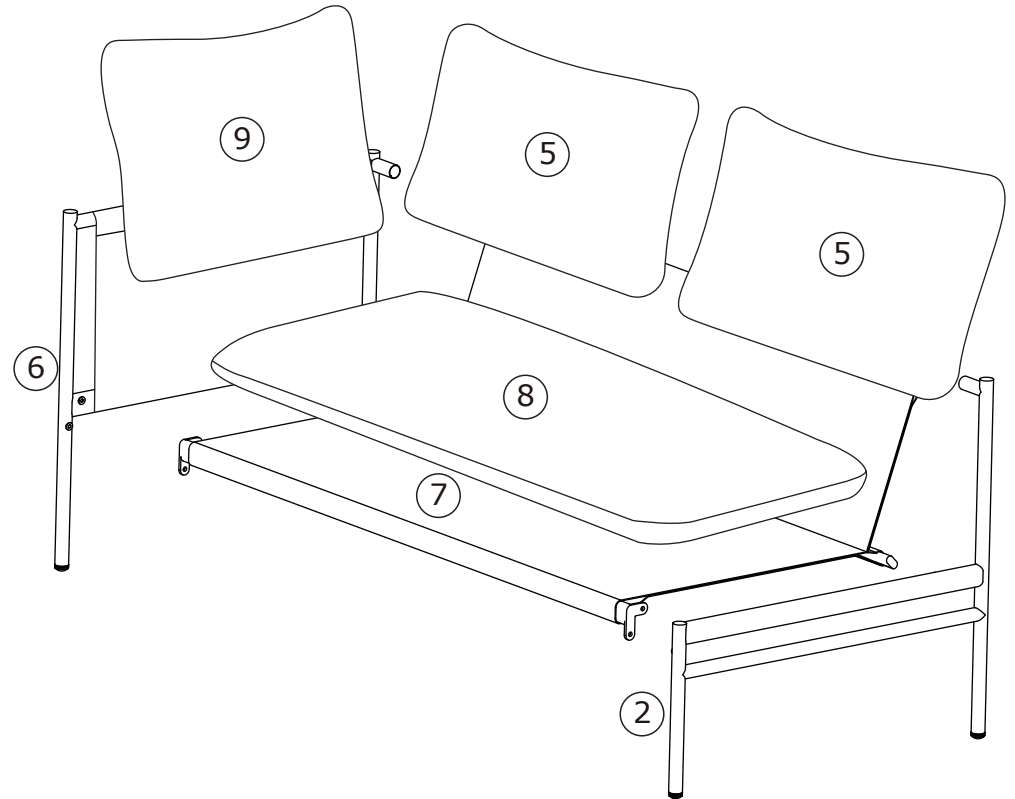
Fixtures and Fittings Supplied			
Ref	Dimensions	Qty.	Spare Qty.
A	M6 x 20mm	4	1
B	M6 x 15mm	2	1
C	M6 x 30mm	2	1
D	Φ14mm	4	2



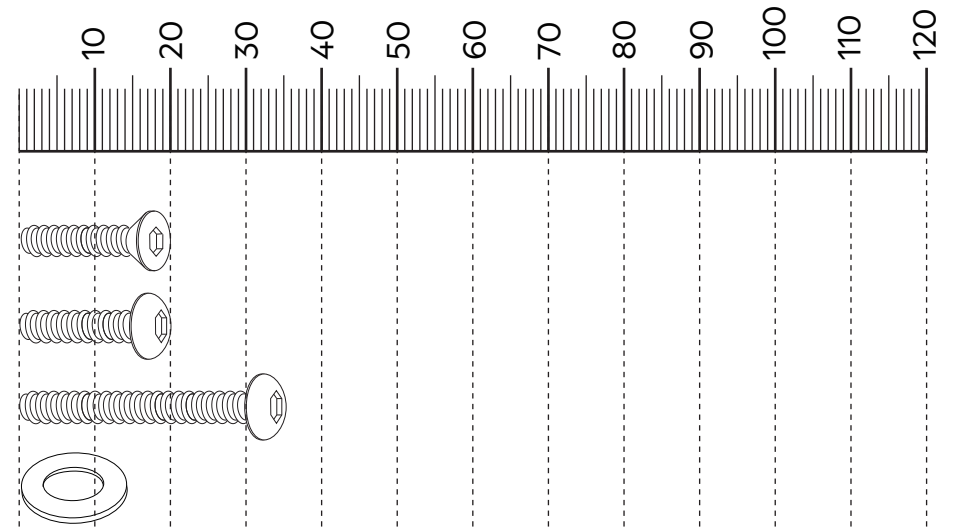
Fixtures and Fittings Supplied (Not To Scale)			
Ref	Qty.	Spare Qty.	Visual
E	1	N/A	


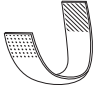
Components supplied. Please use this guide if you require replacement part.

Ref	Dimensions	Qty.	Ctn.
6		1pc	2
2		1pc	2
7		1pc	2
8		1pc	2
5		1pc x 2	2
9		1pc	2


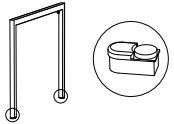


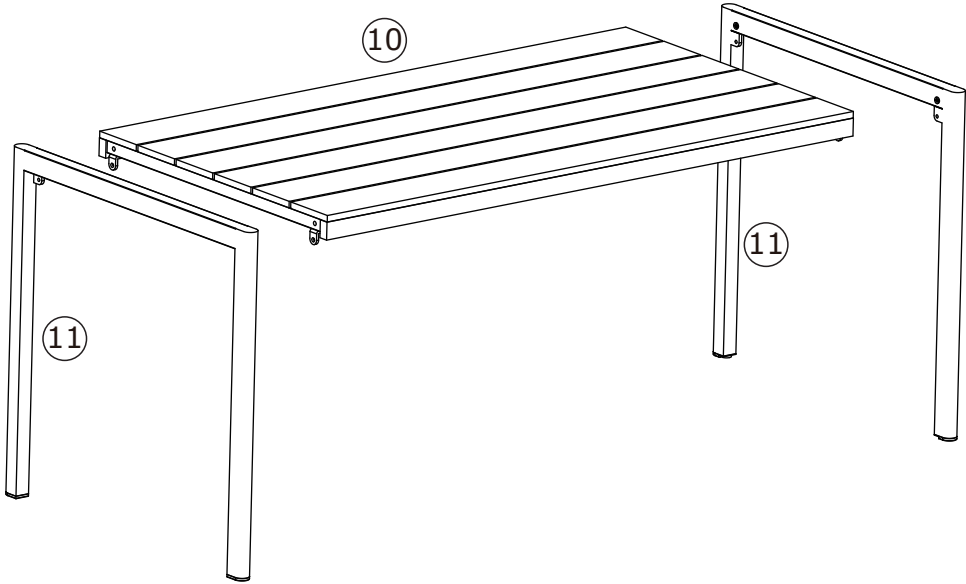
Fixtures and Fittings Supplied			
Ref	Dimensions	Qty.	Spare Qty.
A	M6 x 20mm	4	1
B	M6 x 15mm	2	1
C	M6 x 30mm	2	1
D	Ø14mm	4	2




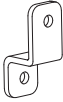
Fixtures and Fittings Supplied (Not To Scale)			
Ref	Qty.	Spare Qty.	Visual
E	1	N/A	
F	2	N/A	

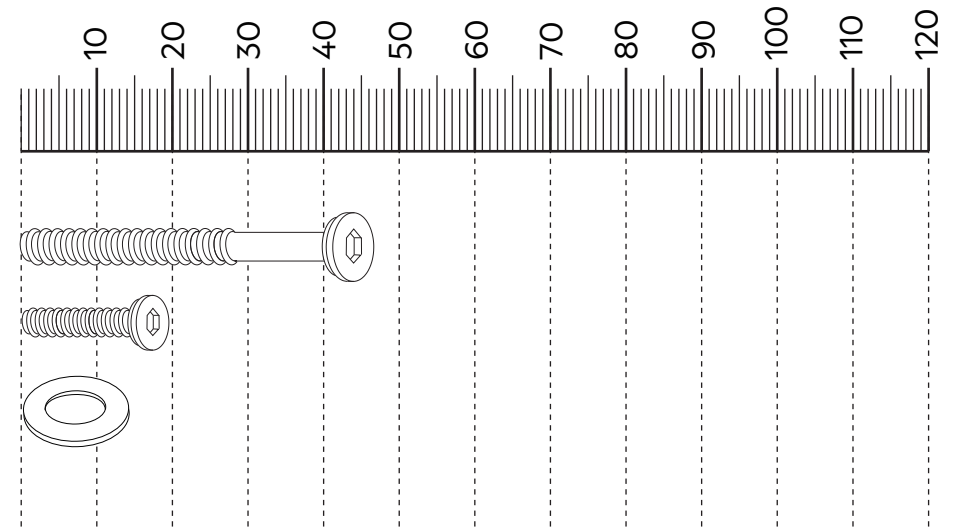
Components supplied. Please use this guide if you require replacement part.

Ref	Dimensions	Qty.	Ctn.
10		1pc	1
11		1pc x 2	1

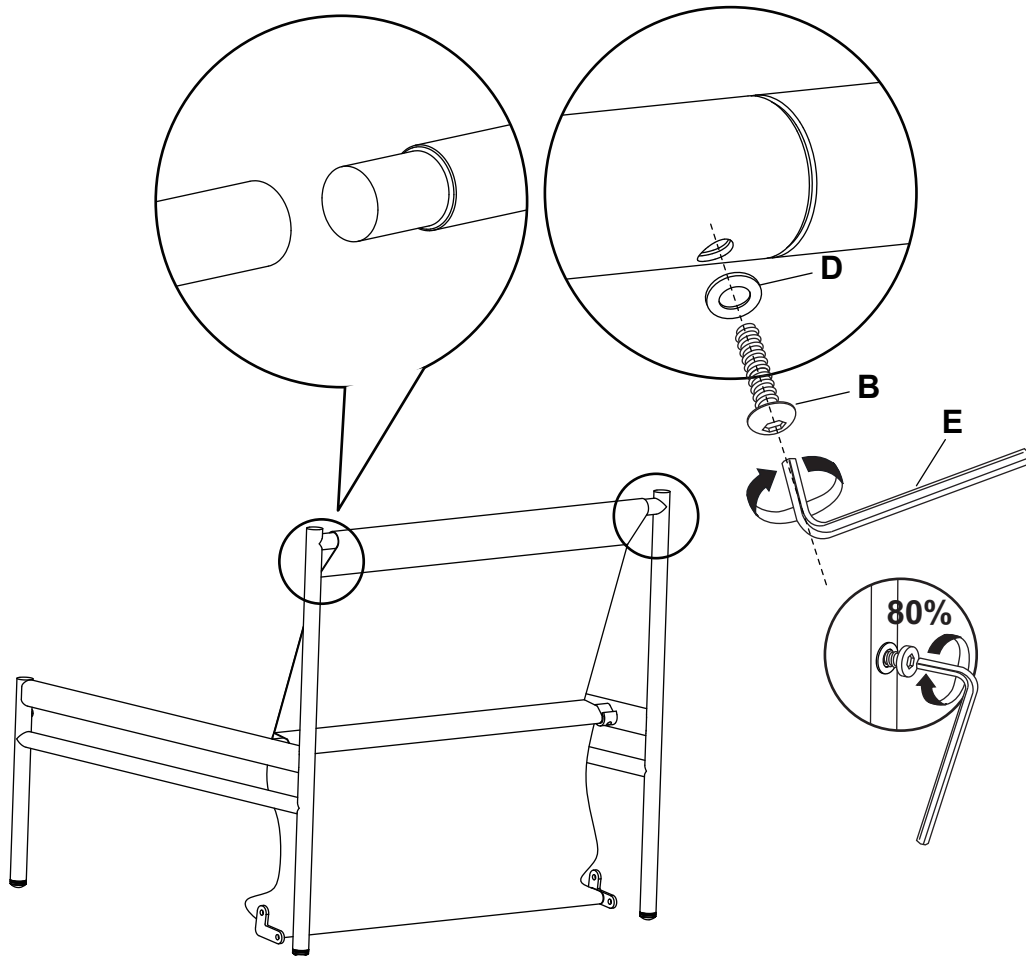
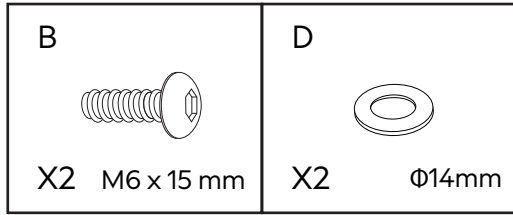


Fixtures and Fittings Supplied			
Ref	Dimensions	Qty.	Spare Qty.
G	M6 x 40mm	6	1
H	M6 x 15mm	4	1
D	Ø14mm	10	2

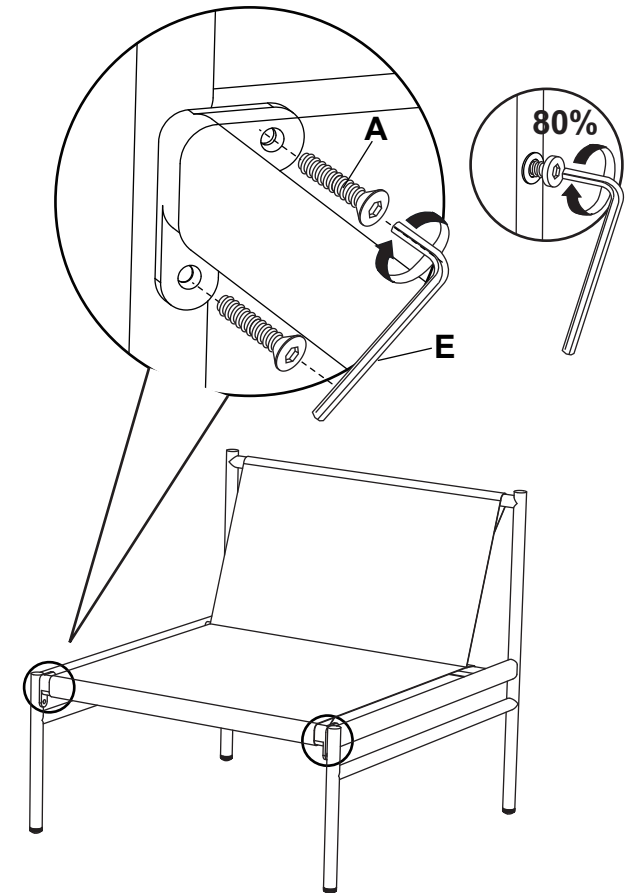
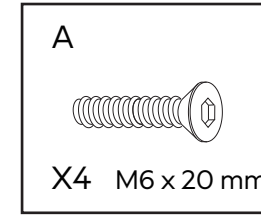
Fixtures and Fittings Supplied (Not To Scale)			
Ref	Qty.	Spare Qty.	Visual
E	1	N/A	
I	4	N/A	





1

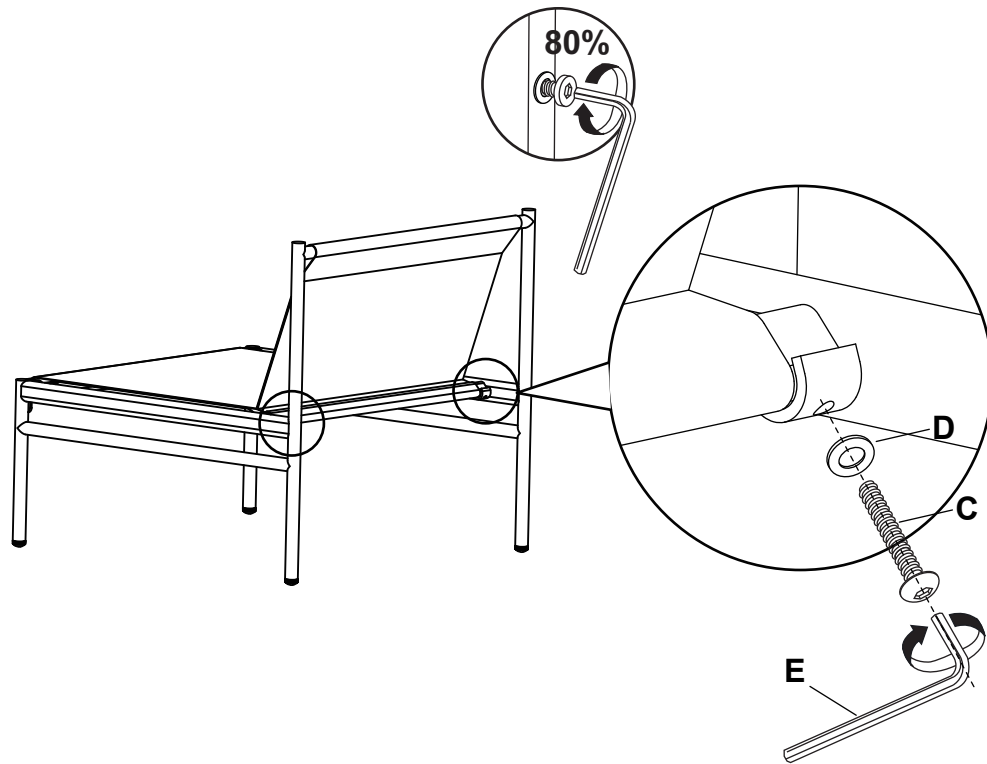


2

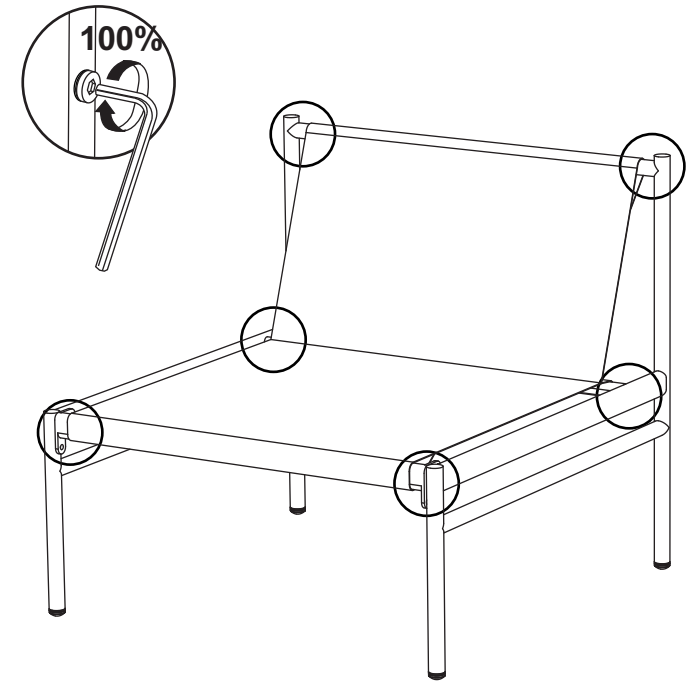


3

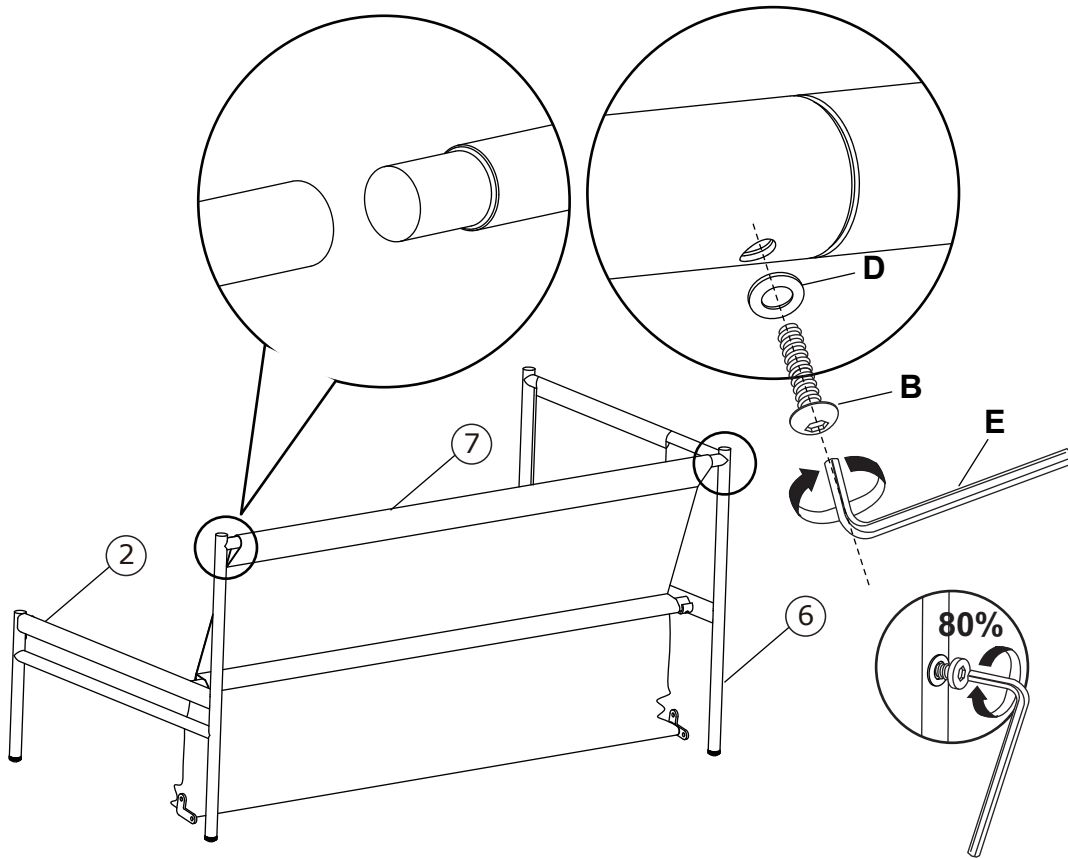
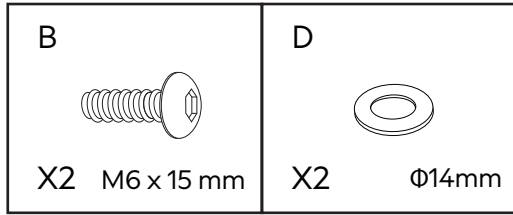
C  X2 M6 x 30 mm	D  X2 Ø14mm
--	---



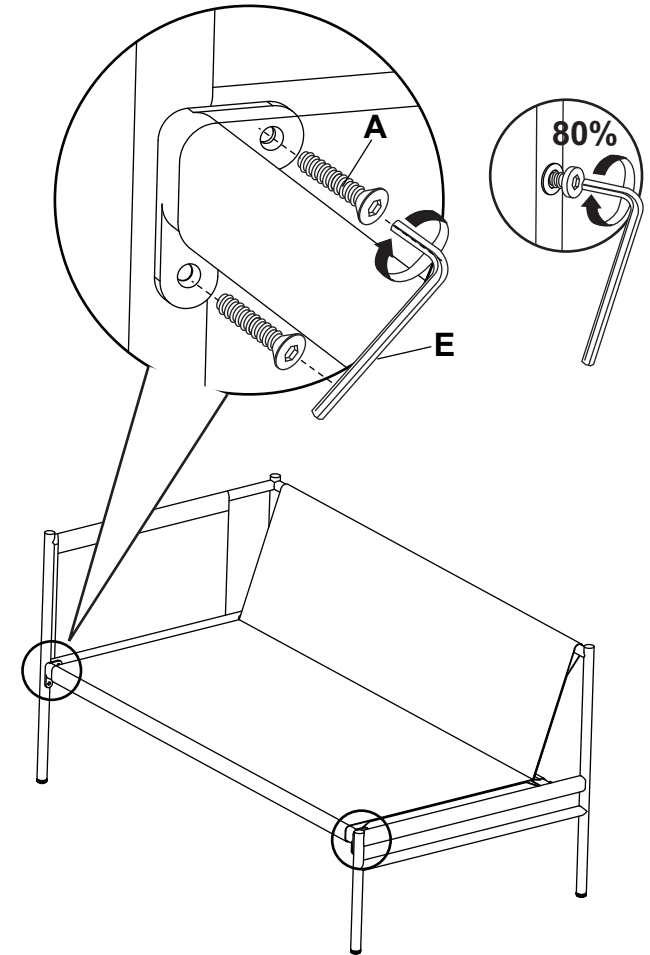
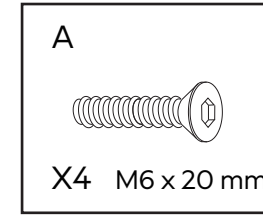
4



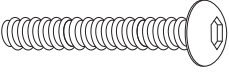

1

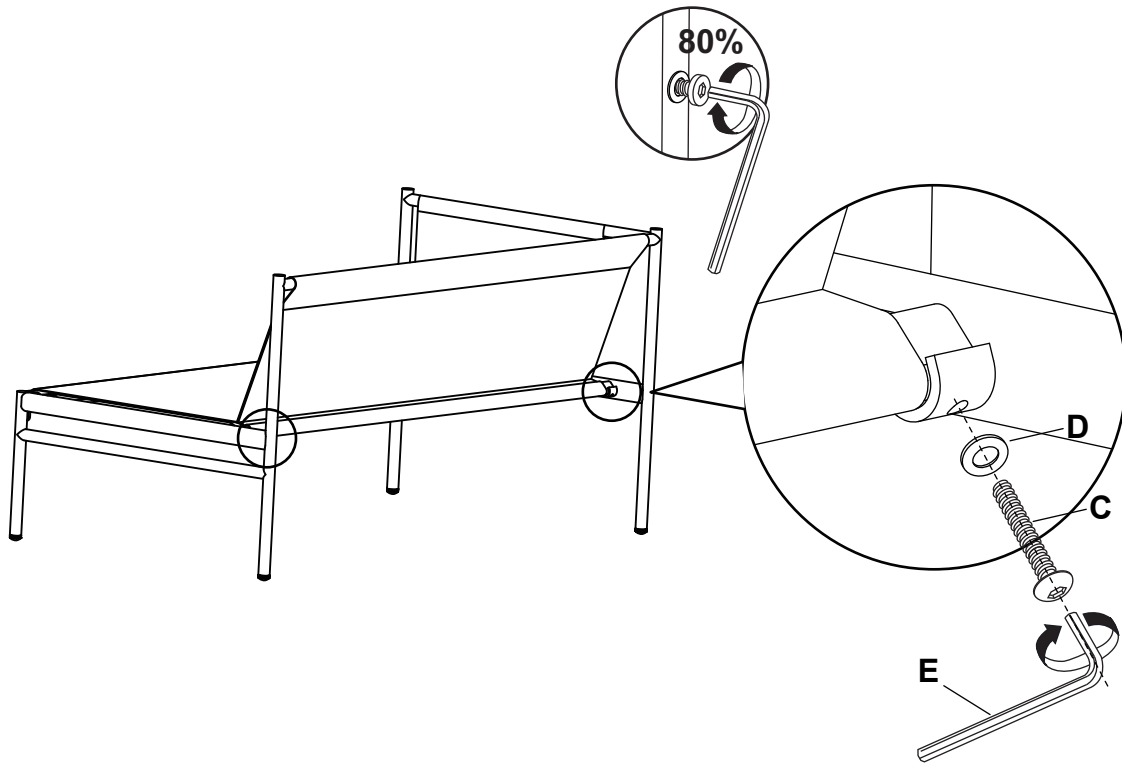


2

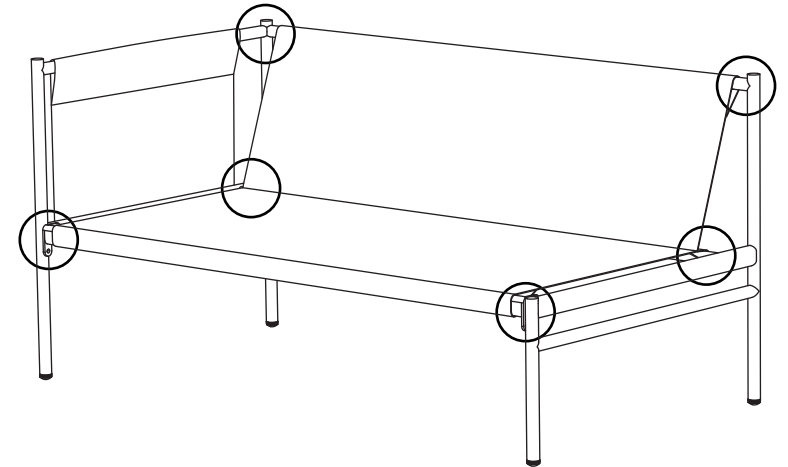
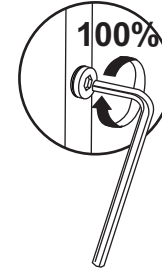


3

C	D
	
X2 M6 x 30 mm	X2 Φ 14mm

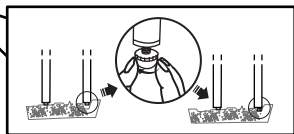
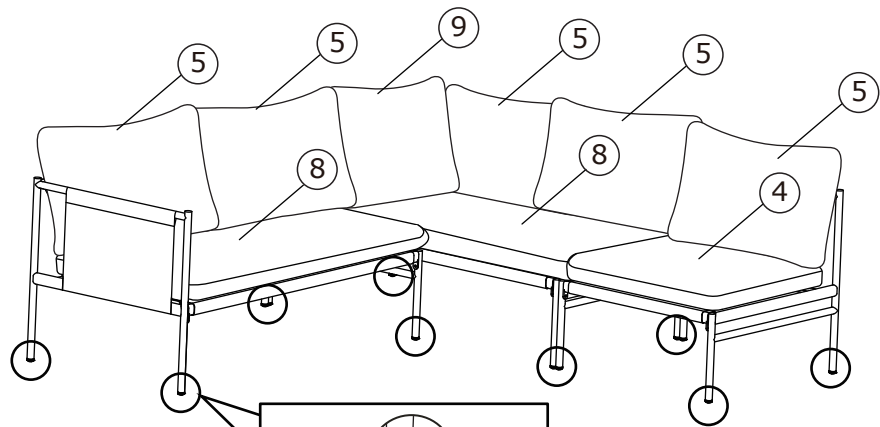
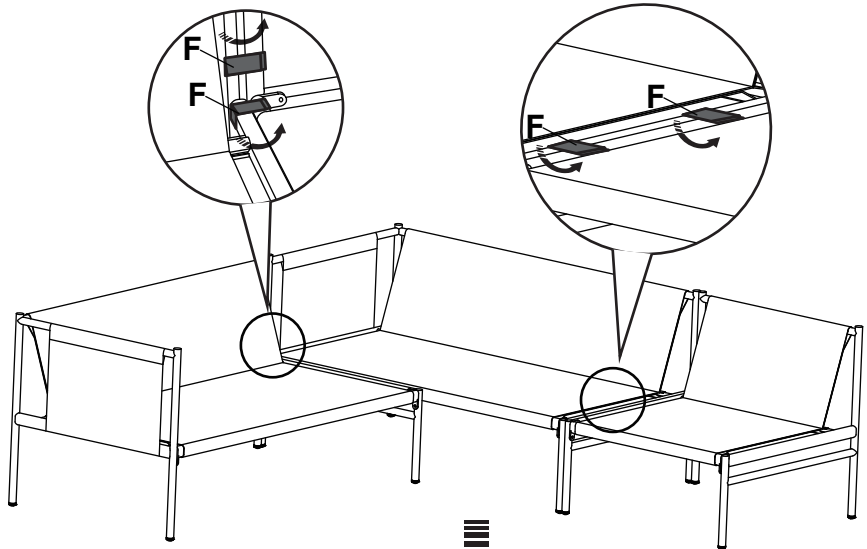
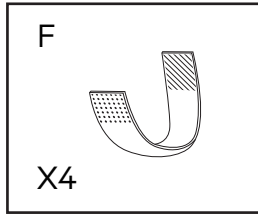


4

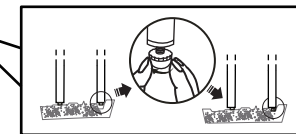
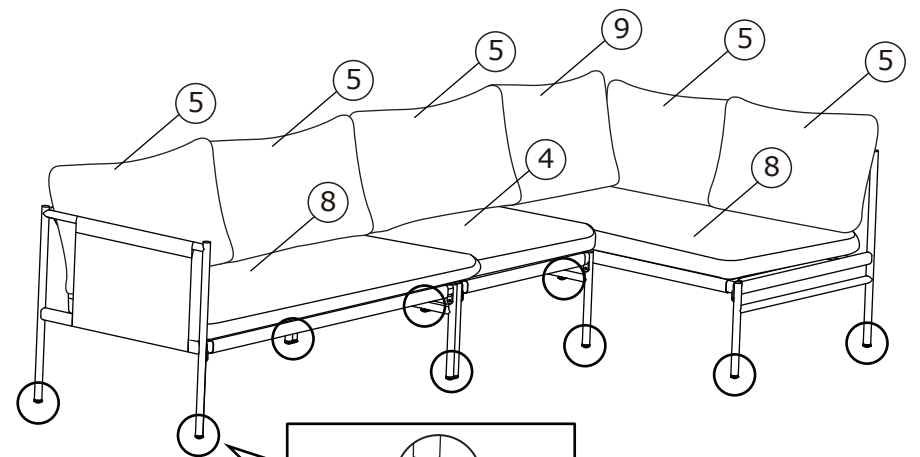
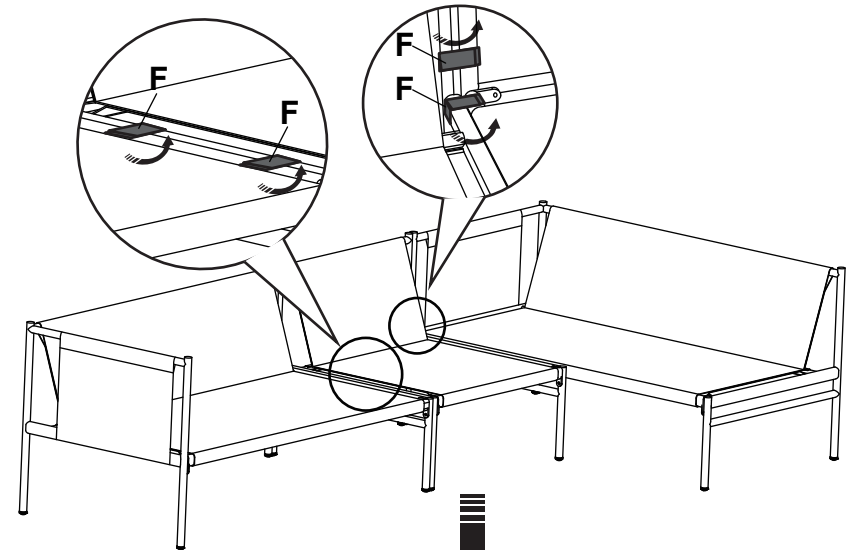
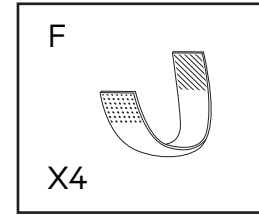


x2




1

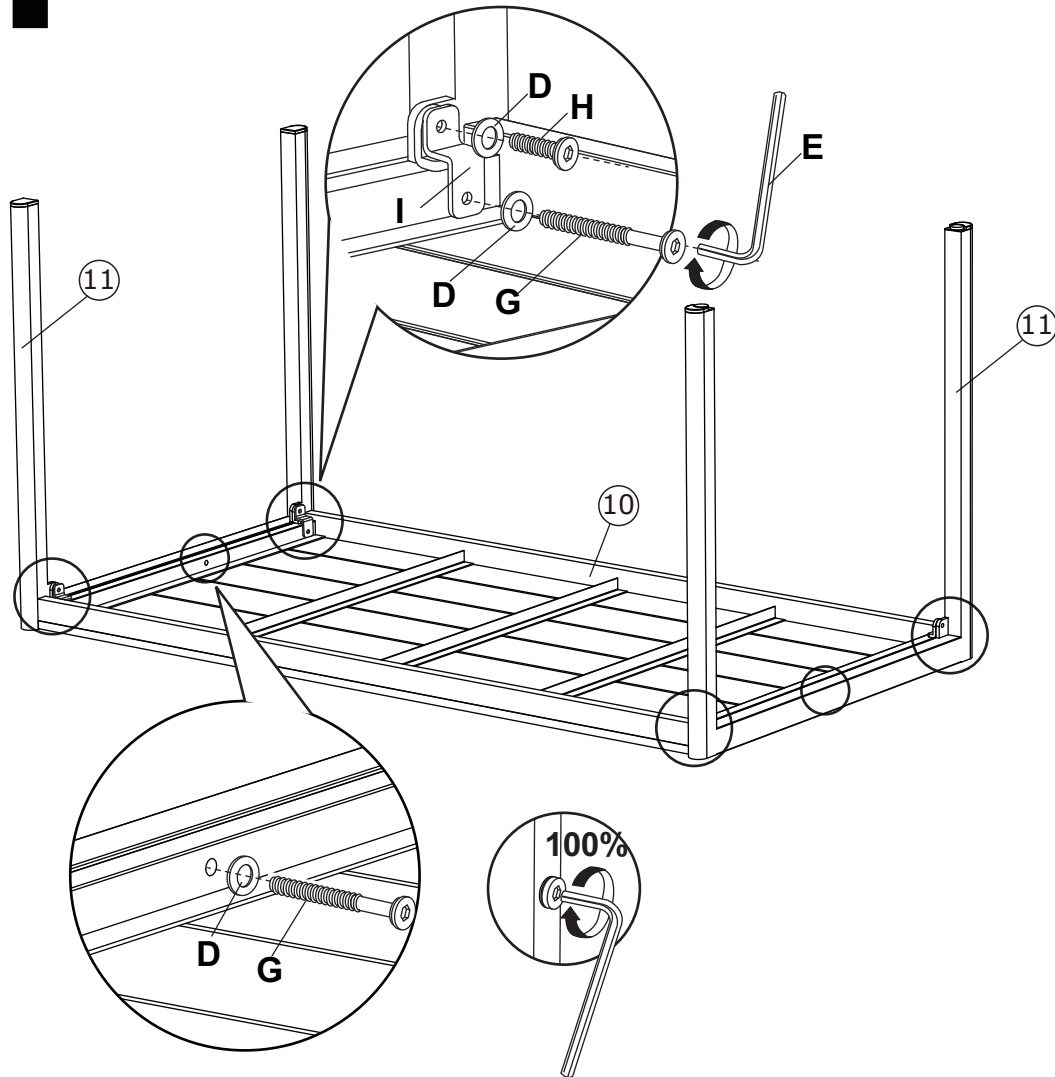


2

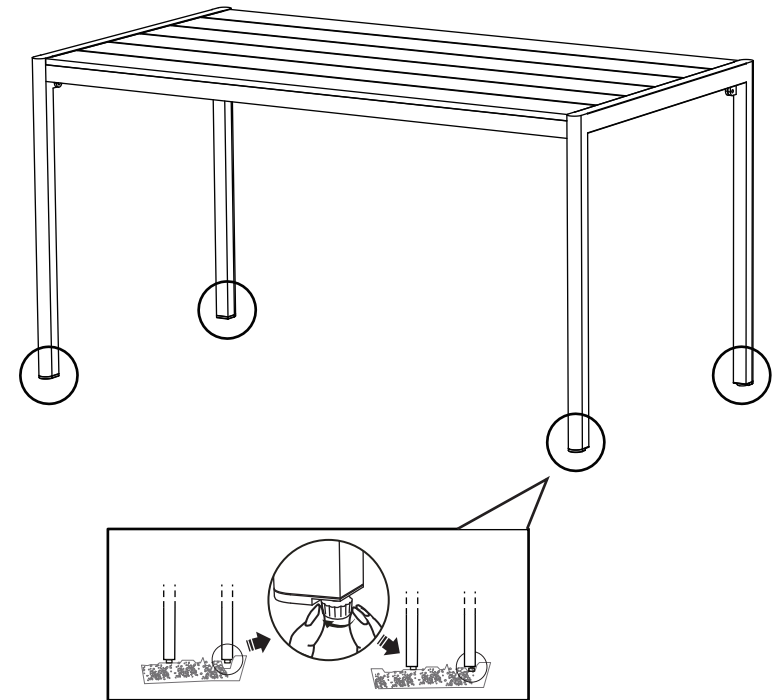


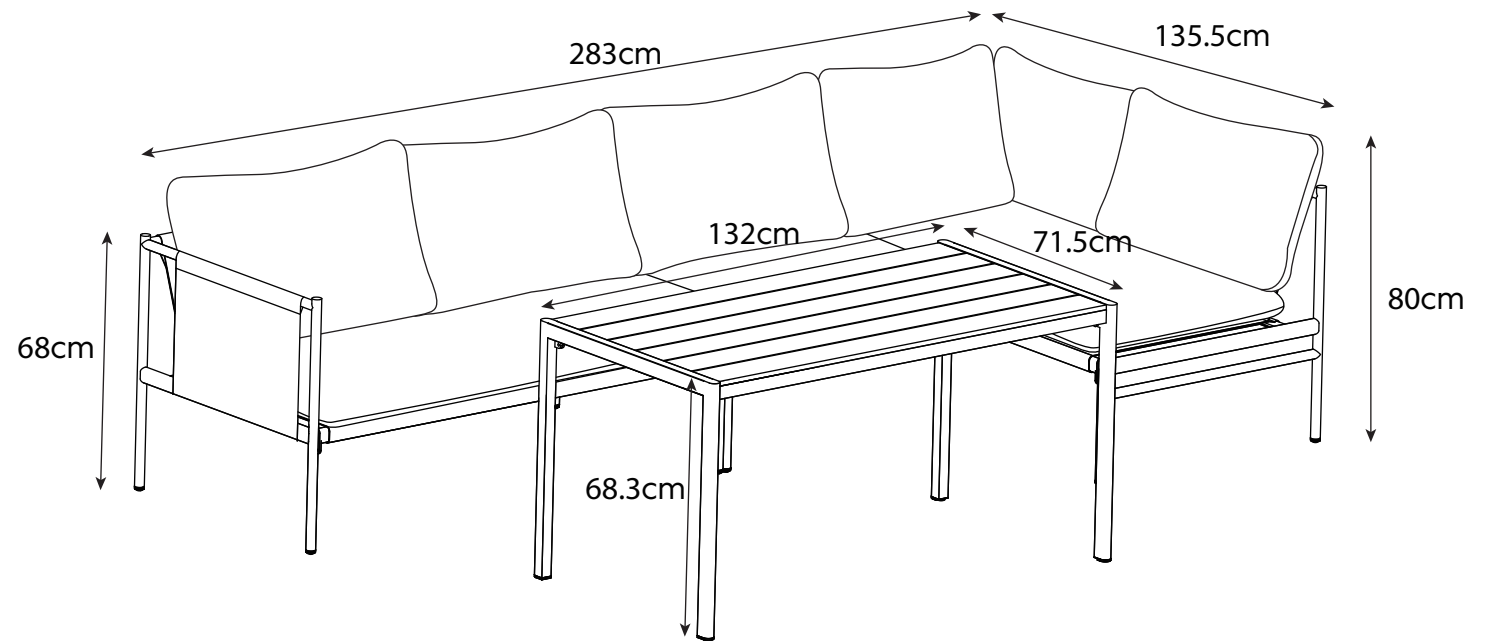
1

G  X6 M6 x40 mm	H  X4 M6 x15 mm	D  X10 Φ 14mm
---	---	---



2





GB - Check regularly that all assembly fastenings are properly tightened and retighten when necessary

FR - Vérifiez régulièrement que toutes les fixations soient bien serrées et resserrez si nécessaire.

NL - Controleer regelmatig of alle bevestigingen goed zijn aangedraaid; draai ze indien nodig opnieuw aan.

DE - Regelmäßig kontrollieren, dass alle Beschläge und Verschraubungen gut festgezogen sind und sie bei Bedarf nachziehen.

ES - Comprueba regularmente que las fijaciones estén bien apretadas y vuelve a apretarlas en caso necesario.