

# NEXT

BEAMOUNT CORNER BENCH AND EXTENDING DINING TABLE SET

H40589

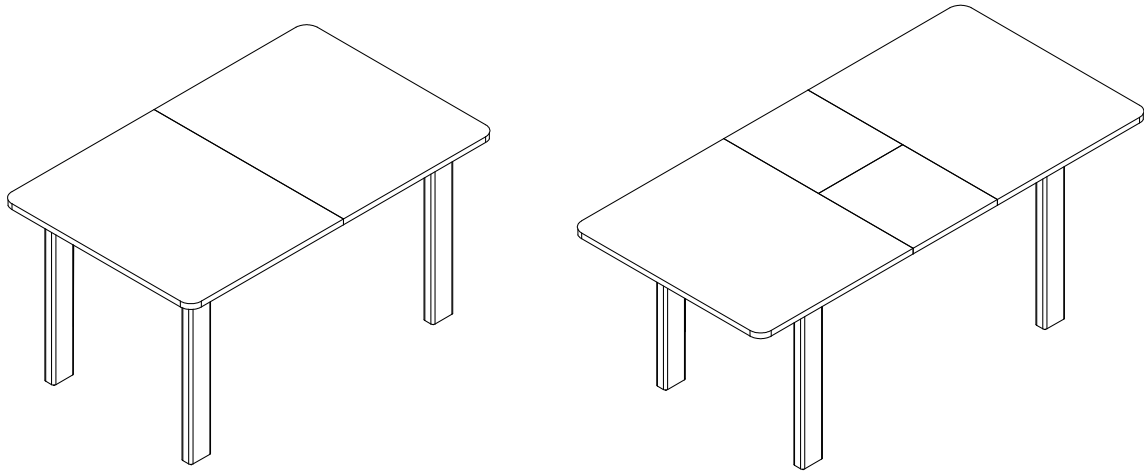
Assembly instructions

**Actual product size**

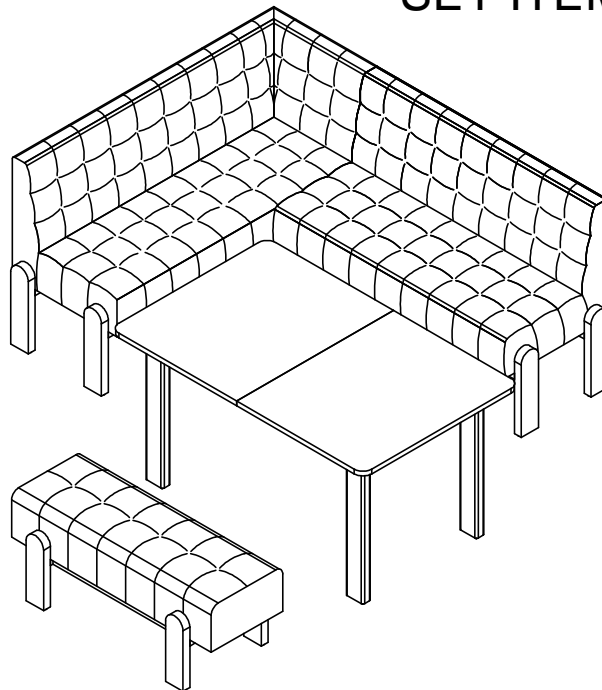
H75 x W145 x D90 cm

H75 x W185 x D90 cm

## DINING TABLE



## SET ITEM



### Need Help ?

With: Assembly instruction

Missing or damaged parts

**IMPORTANT - RETAIN FOR FUTURE REFERENCE**

**CALL: 0333 777 8999**

## BEFORE YOU START

### Number of people required to assemble

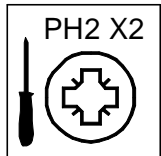
Two people are required to assemble this item



**Time to assemble : 30 minutes**



### Tools required



not supplied

### Do's

We suggest you spend a short time reading through this leaflet before you start.

When you are ready to start, make sure that you have the right tools and plenty of space.

Unwrap all packaging materials and place the components on a clean surface to protect it from damage, We recommend that the packaging is used to protect the surfaces during assembly.

Carefully check that you have all the parts before beginning assembly.

Due to the size of this product we recommend that it is assembled in the room intended for use.

Ensure the product is fully assembled as illustrated and all fixings fully tightened before use.

Wipe occasionally with a soft cloth slightly dampened with water. Then buff with a dry clean soft cloth.

Wood will mellow and change colour over time, we recommend that ornaments and items placed on the surface are moved regularly for the first few months to prevent uneven mellowing.

### Don'ts

Do not drag or pull your furniture.

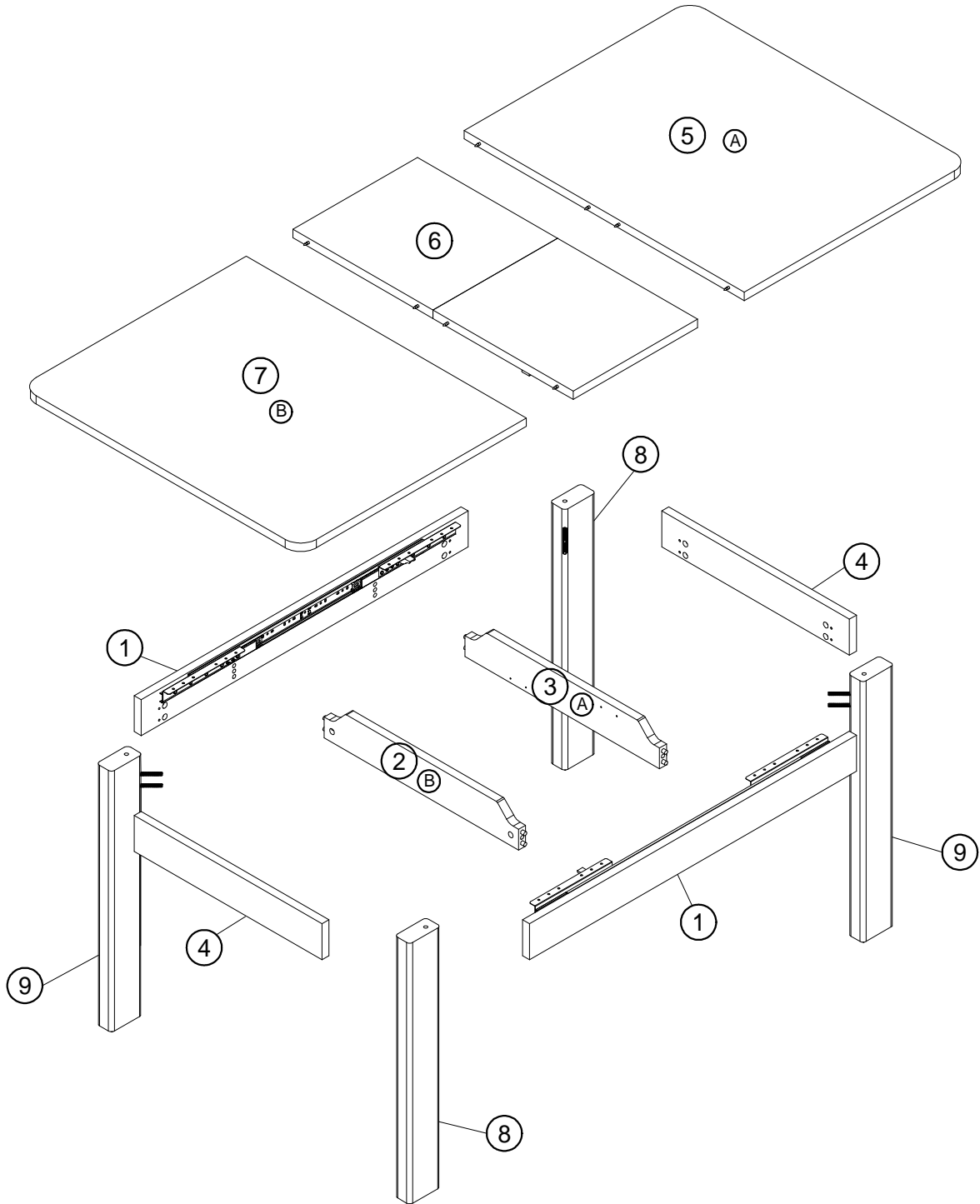
Do not rub or scrub the surface when cleaning.

Do not use silicone based furniture polish. Silicone in furniture polishes can break down the finish.

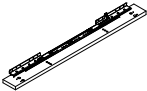
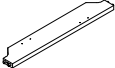
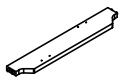
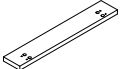
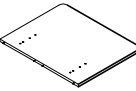
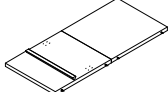
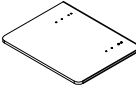


Never allow any kind of liquid to remain on your furniture. Absorption can cause wood to warp or finishes to de-laminate.

Do not place hot items (e.g. hot drinks) directly on to the wood surface. Please make sure you use a placemat or coaster.

## GETTING TO KNOW YOUR PRODUCT

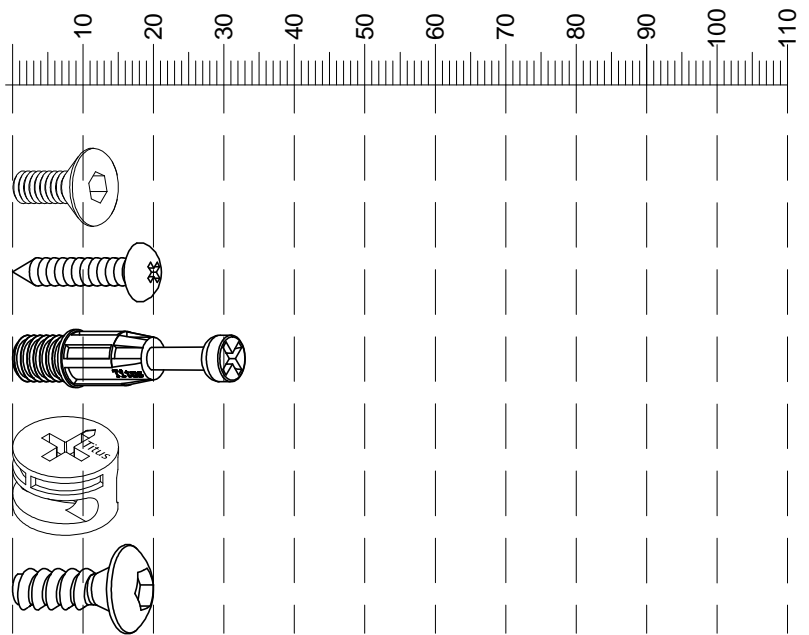


Components supplied. Please use this guide if you require replacement parts.



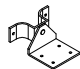
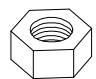
Ref	Dimensions	Visual	Qty	Ctn
1	10x105cm		2	2
2	10x62.5cm		1	1
3	10x62.5cm		1	1
4	10x60.5cm		2	2
5	72.5x90cm		1	1
6	40x90cm		1	1
7	72.5x90cm		1	1
8	10x72.5cm		2	2
9	10x72.5cm		2	2

#### Fixtures and fittings supplied (actual size)

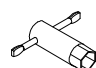
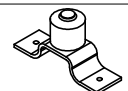
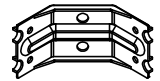
Ref	Dimensions	Qty	Spare Qty
Y27	Ø6 x 15mm	16	2
S41	Ø4 x 15mm	16	2
B12	Ø7.5 x 33mm	4	1
B3	Ø15 x 12mm	4	1
S59	Ø6 x 15mm	16	2





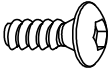

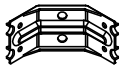
#### Fixtures and fittings supplied ( not to scale)

Ref	Dimensions	Qty	Spare Qty	Visual
T4	N/A	2	N/A	
Q3	N/A	8	1	
F17	N/A	2	N/A	
B23	N/A	8	1	

#### Fixtures and fittings supplied ( not to scale)




Ref	Dimensions	Qty	Spare Qty	Visual
T52	N/A	1	N/A	
F16	N/A	2	N/A	
M34	N/A	4	N/A	

**1**

B12	Ø7.5 x 33mm	4			not supplied
S59	Ø6 x 15mm	8			
T4	N/A	2		M34	N/A
					4

**X2**

**2**

F16	N/A	2			
S41	Ø4 x 15mm	4			not supplied

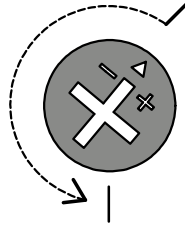
3

#### WHEN LOOSENING THE CAM

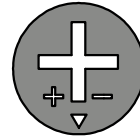
TURN THE CAM IN A COUNTERCLOCKWISE DIRECTION  
UNTIL THE ARROW POINTS IN THE POSITION SHOWN  
IN THE DIAGRAMS BELOW



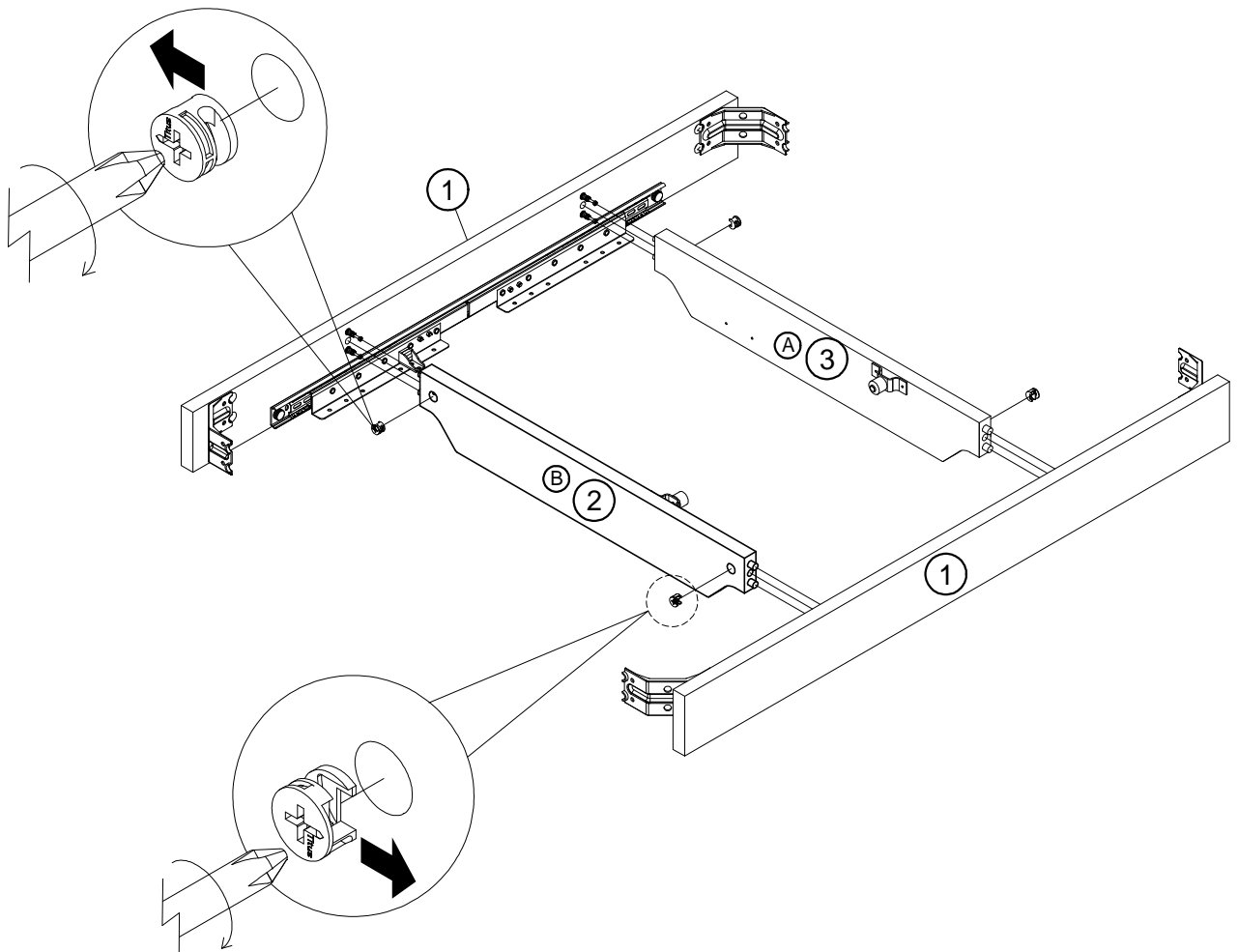
MAXIMUM  
LOCK



TURN  
TO UNLOCK



UNLOCKED



B3

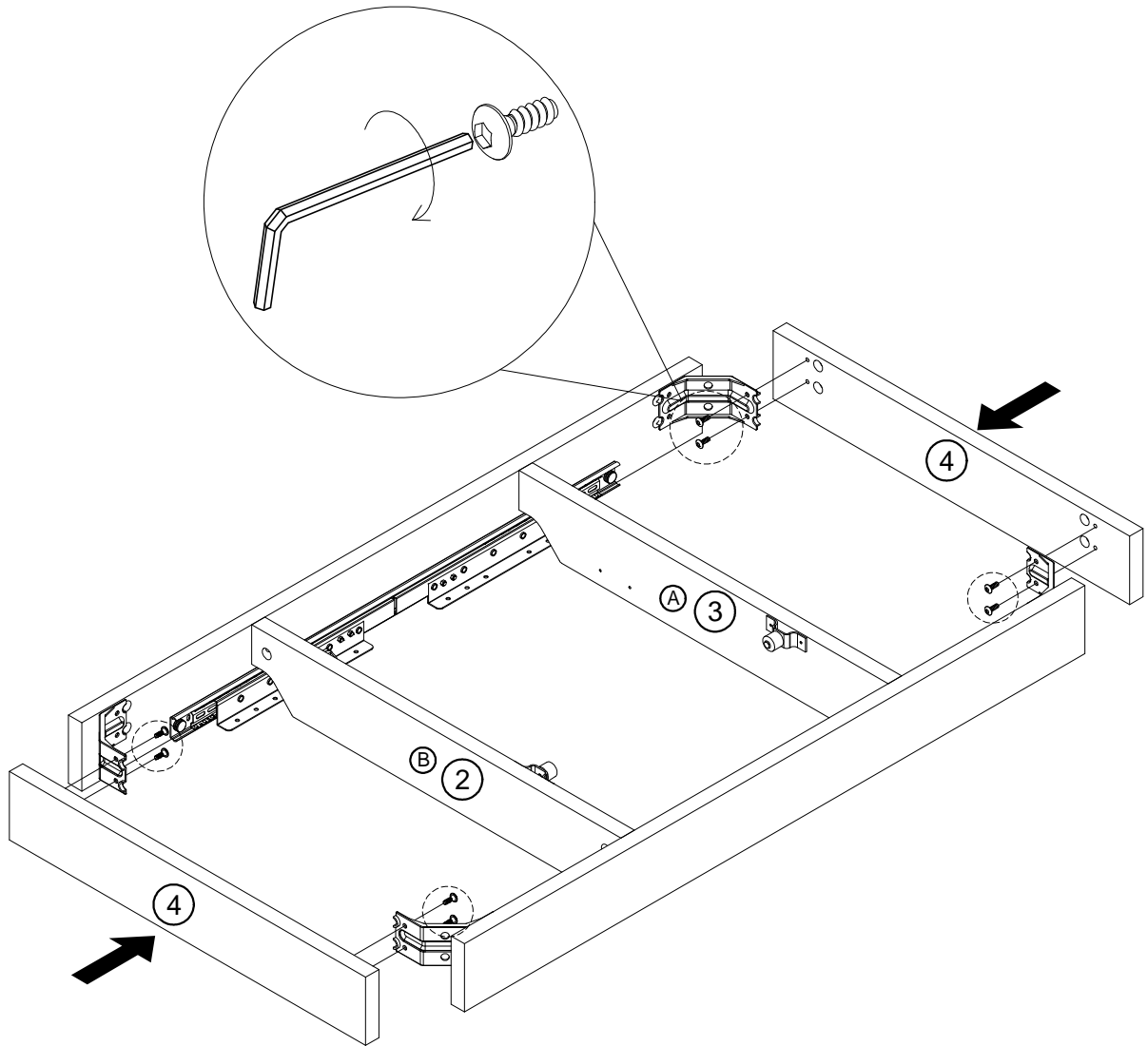
Ø15 x 12mm

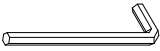
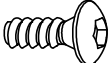
4



not supplied

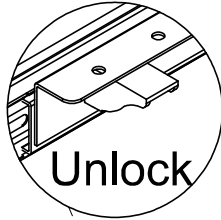
4



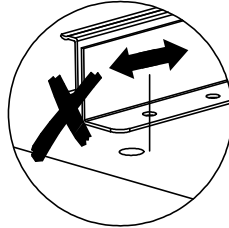
T4	N/A	2	
S59	Ø6 x 15mm	8	

5

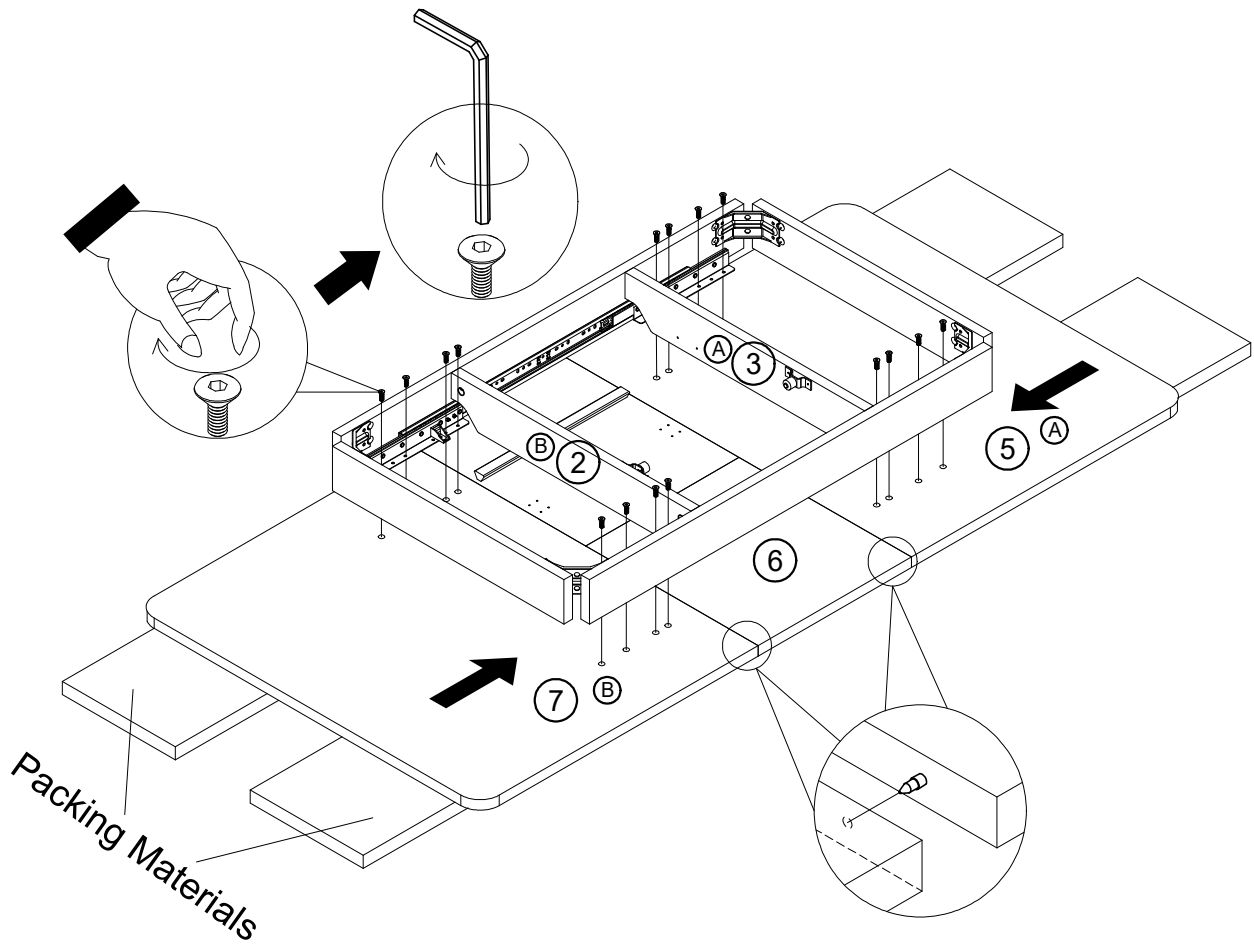
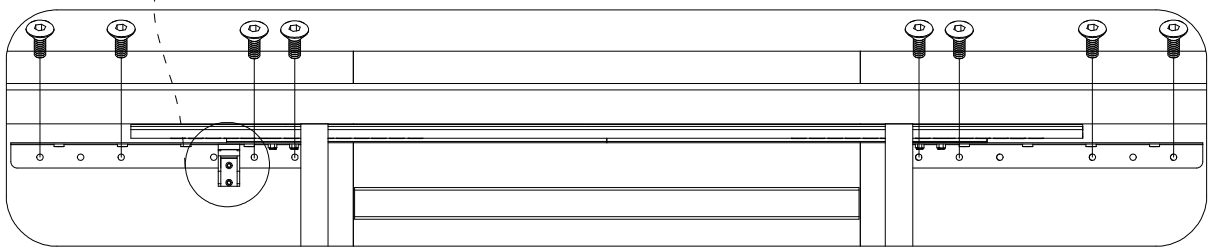
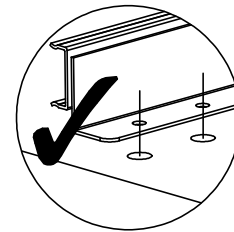
Step 1:  
Unlock


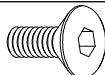


Step 2:  
Sliding the runner

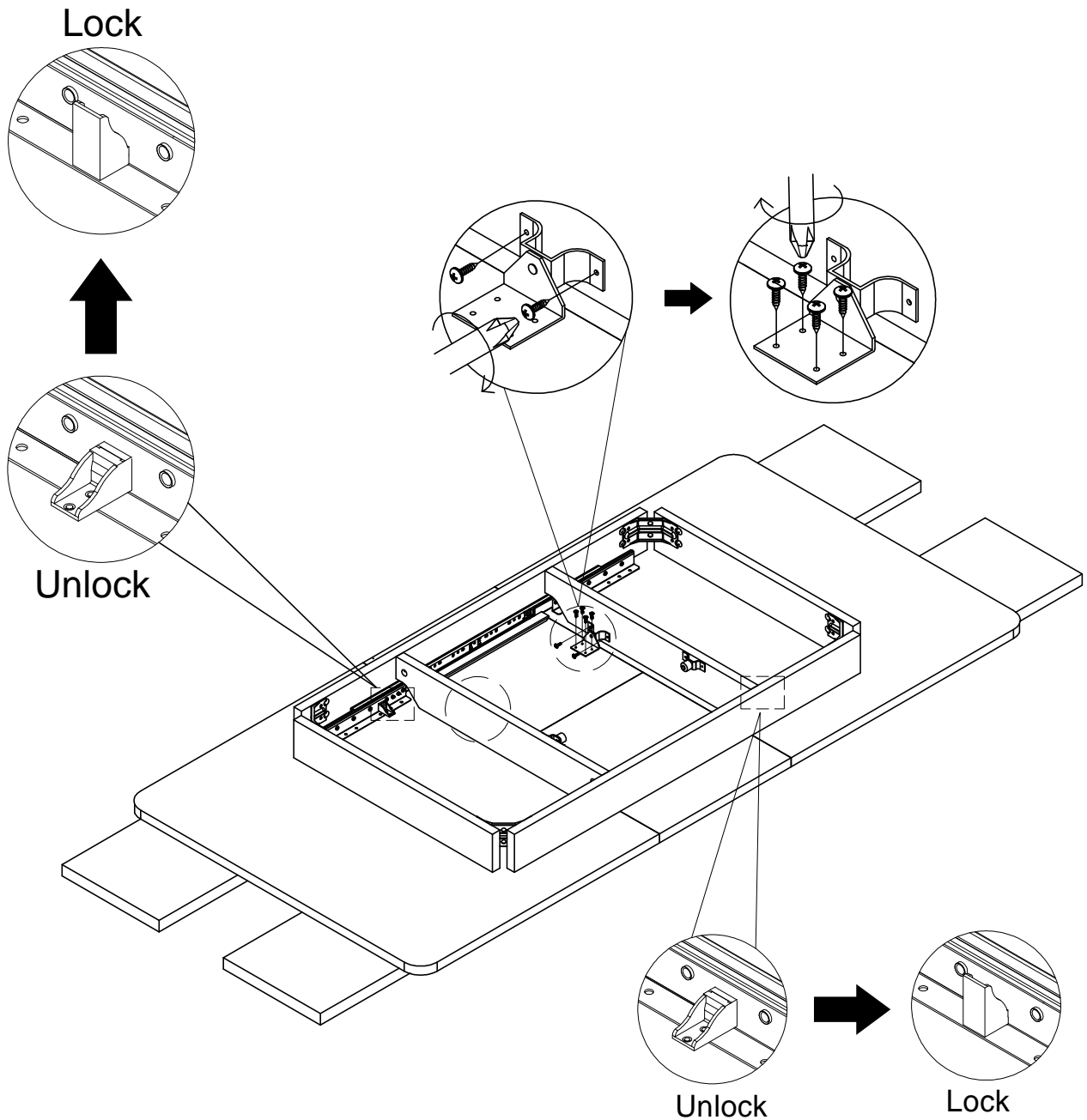



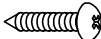

Step 3:  
Align with the holes



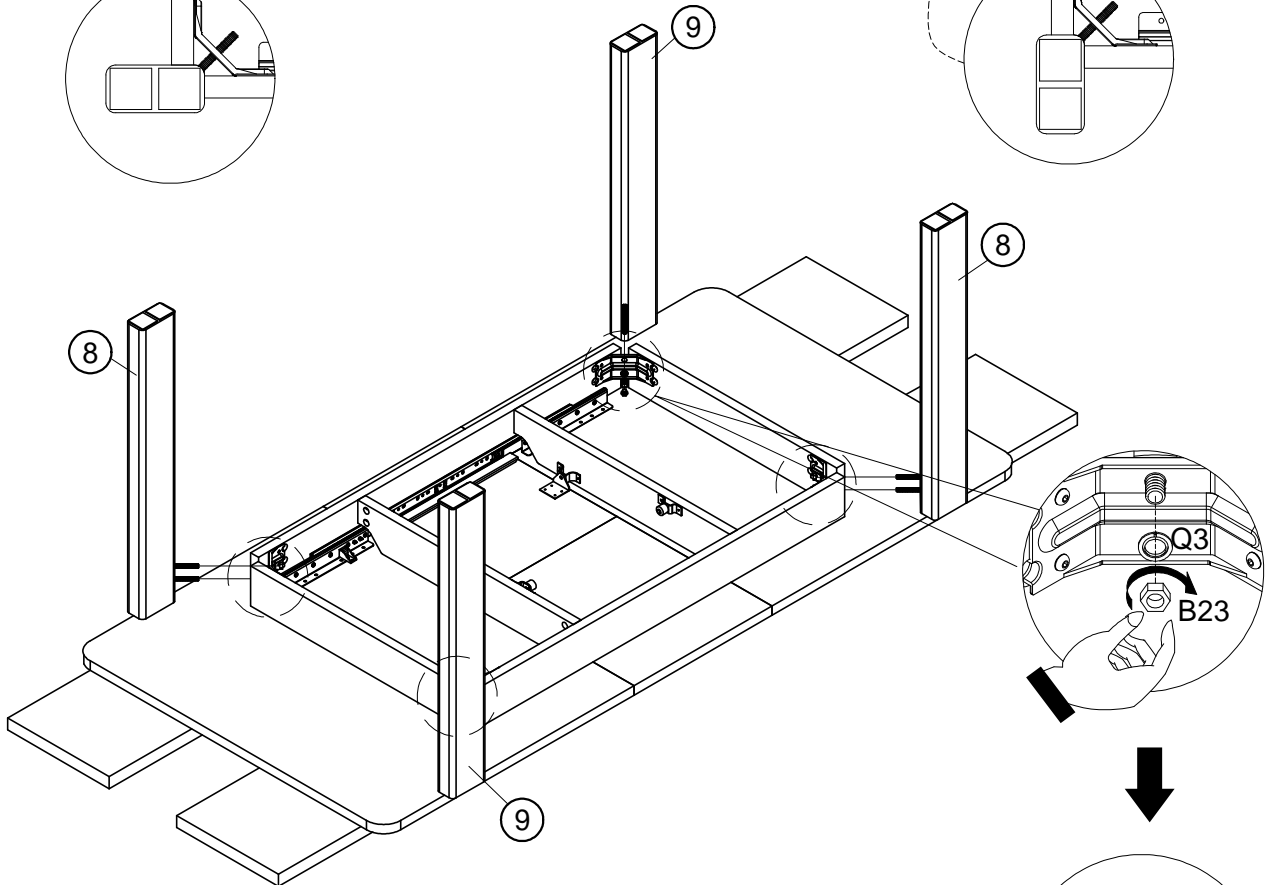
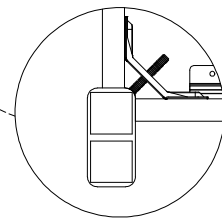
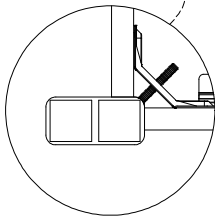
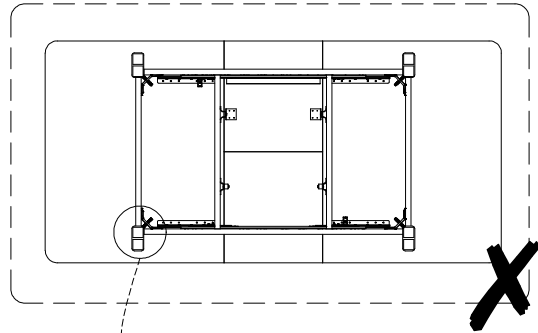
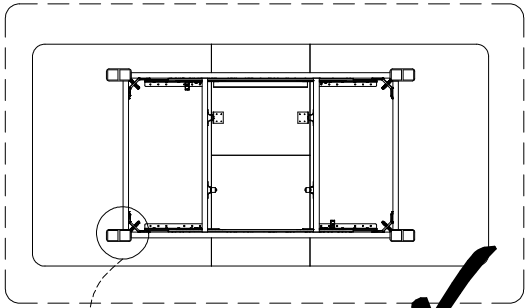
T4	N/A	2	
Y27	6 x 15mm	16	

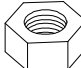
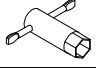
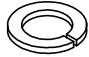
6



F17	N/A	2	
S41	Ø4 x 15mm	12	  not supplied

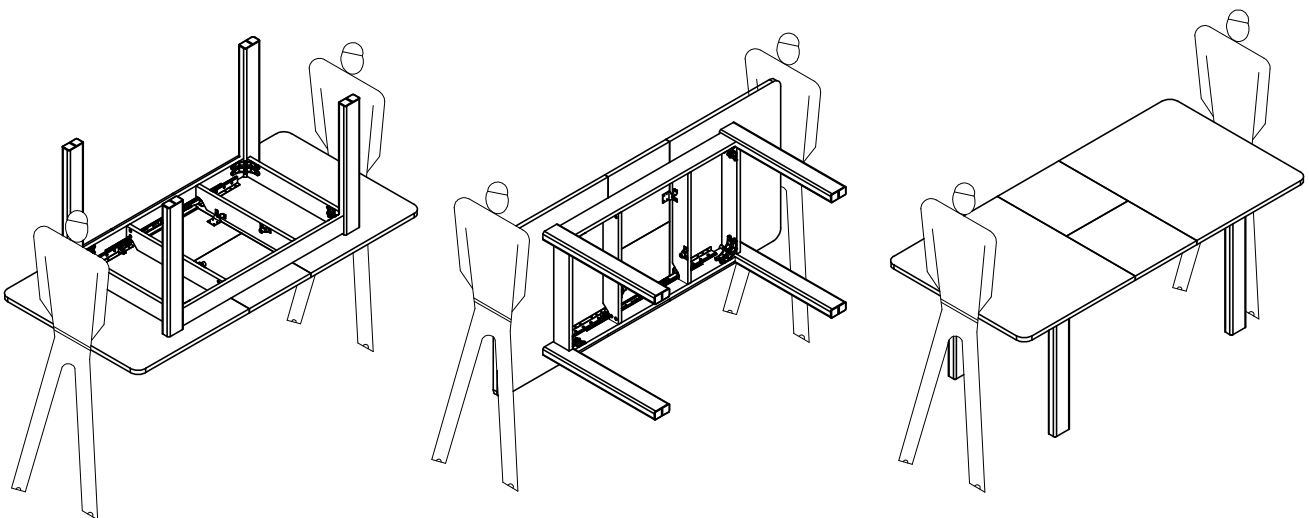
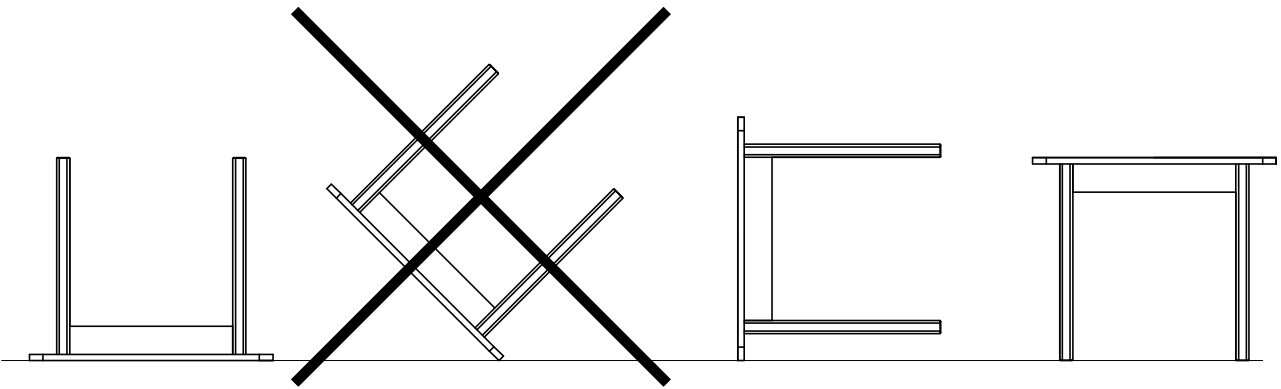
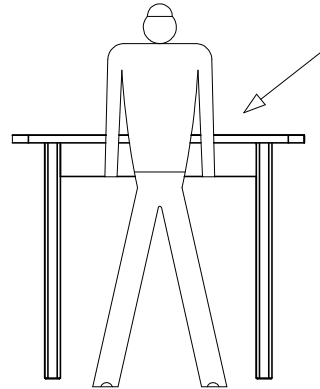
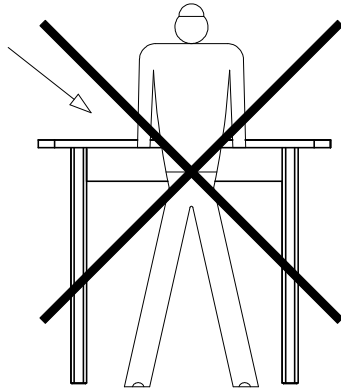
7



B23	N/A	8	
T52	N/A	1	
Q3	N/A	8	

8

**Note: Please do not lift the table by the tabletop, It must be lifted using the apron underneath the tabletop.**

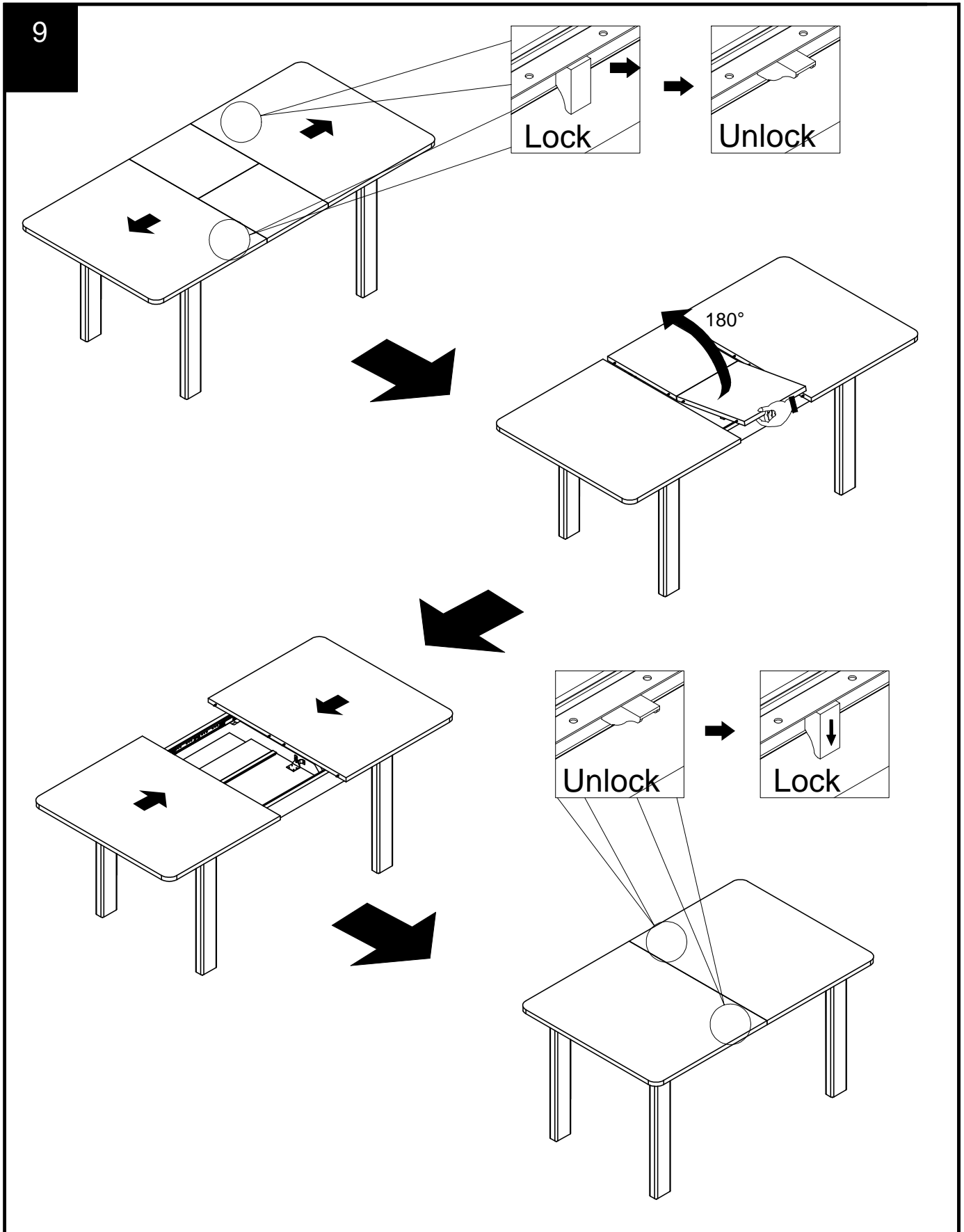


# NEXT

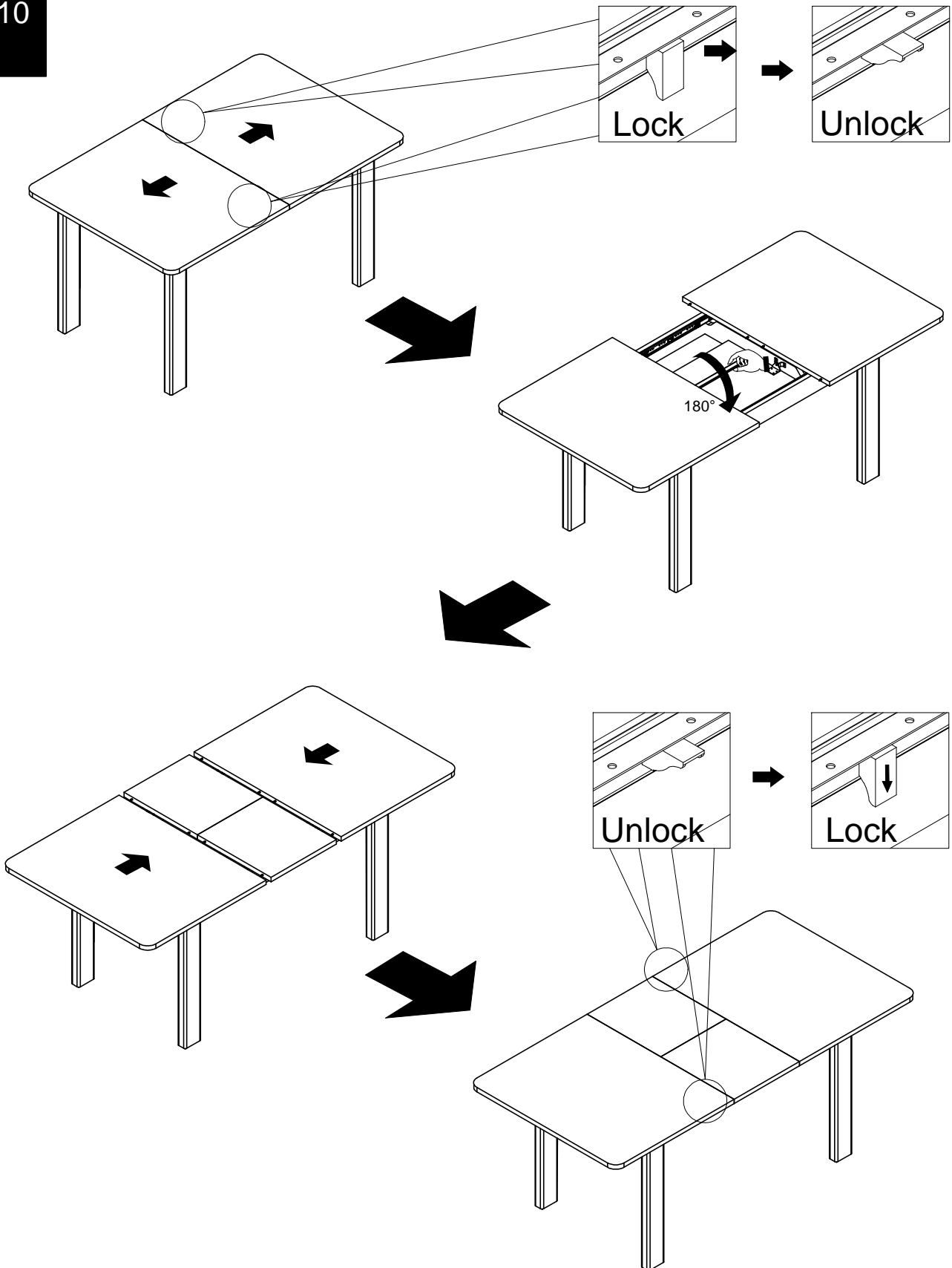
## BEAMOUNT CORNER BENCH AND EXTENDING DINING TABLE SET

H40589

Assembly instructions



10



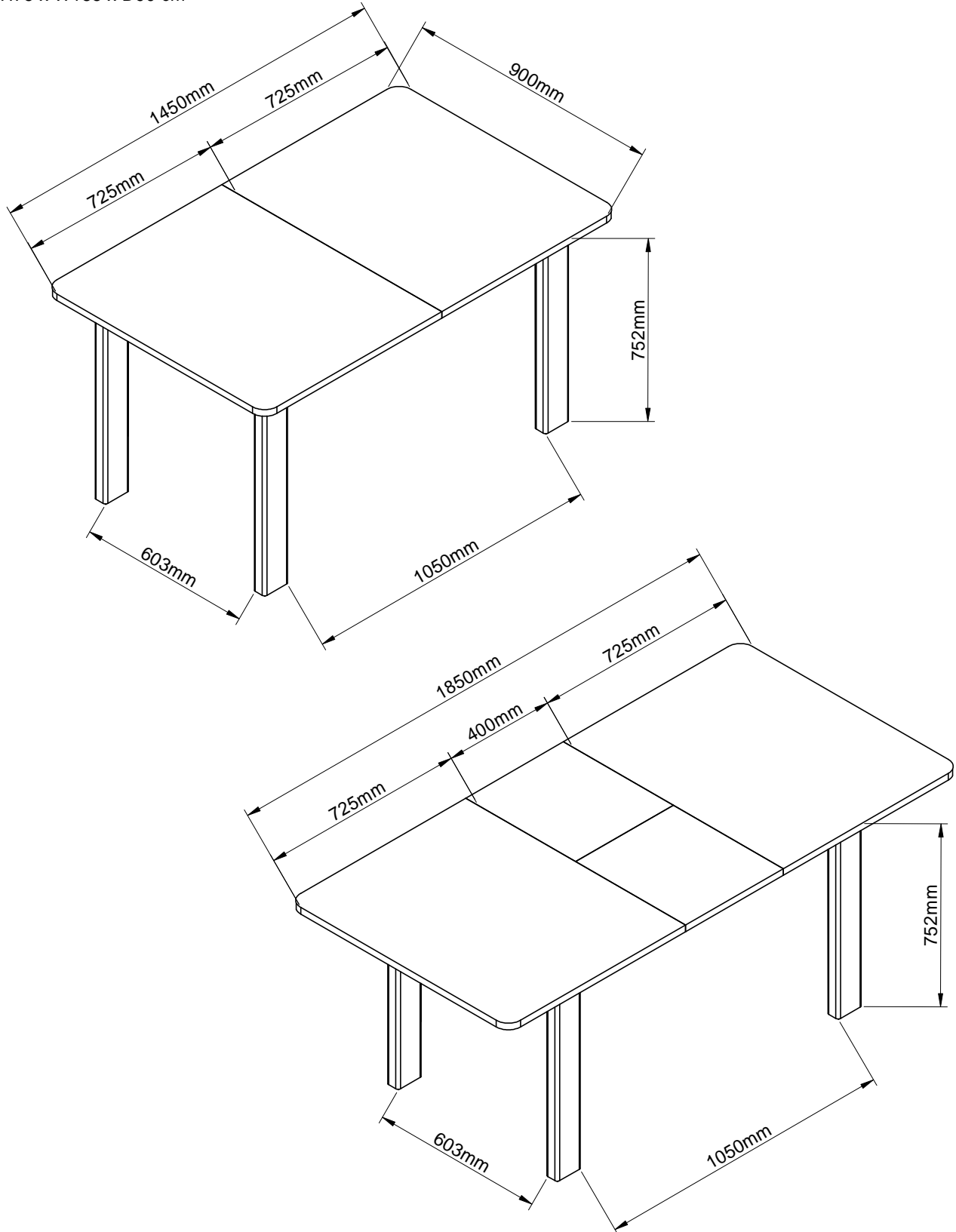
# NEXT

## BEAMOUNT CORNER BENCH AND EXTENDING DINING TABLE SET H40589

**Actual product size**

H75 x W145 x D90 cm

H75 x W185 x D90 cm

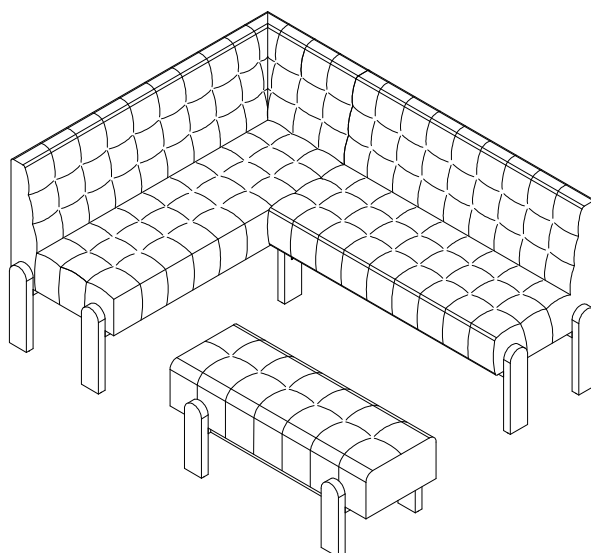


# NEXT

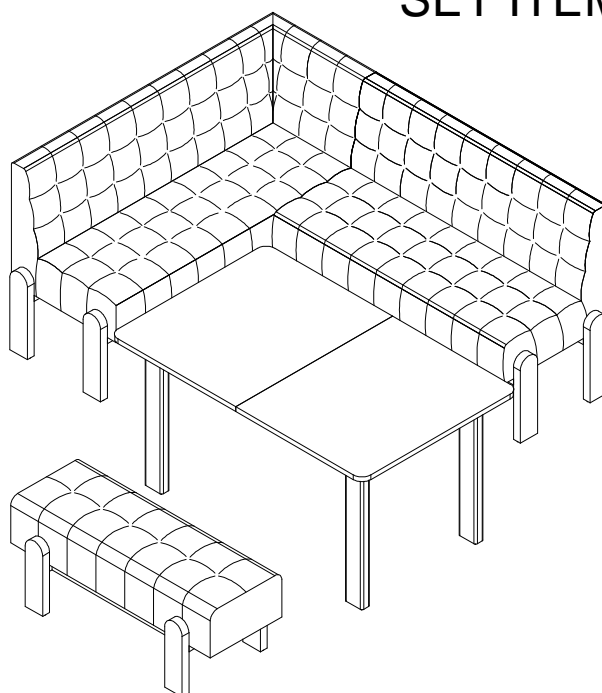
## BEAMOUNT CORNER BENCH AND EXTENDING DINING TABLE SET H40589 Assembly instructions

**Actual product size**  
H90 x W200 x D154 cm  
H46.5 x W114 x D49 cm

### CORNER BENCH



### SET ITEM



## Need Help ?

With: Assembly instruction  
Missing or damaged parts

**IMPORTANT - RETAIN FOR FUTURE REFERENCE**

**CALL: 0333 777 8999**

## BEFORE YOU START

### Number of people required to assemble

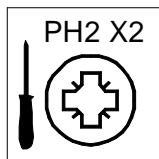
Two people are required to assemble this item



**Time to assemble : 30 minutes**



### Tools required



not supplied

### Do's

We suggest you spend a short time reading through this leaflet before you start.

When you are ready to start, make sure that you have the right tools and plenty of space.

Unwrap all packaging materials and place the components on a clean surface to protect it from damage, We recommend that the packaging is used to protect the surfaces during assembly.

Carefully check that you have all the parts before beginning assembly.

Due to the size of this product we recommend that it is assembled in the room intended for use.

Ensure the product is fully assembled as illustrated and all fixings fully tightened before use.

Wipe occasionally with a soft cloth slightly dampened with water. Then buff with a dry clean soft cloth.

Wood will mellow and change colour over time, we recommend that ornaments and items placed on the surface are moved regularly for the first few months to prevent uneven mellowing.

### Don'ts

Do not drag or pull your furniture.

Do not rub or scrub the surface when cleaning.

Do not use silicone based furniture polish. Silicone in furniture polishes can break down the finish.

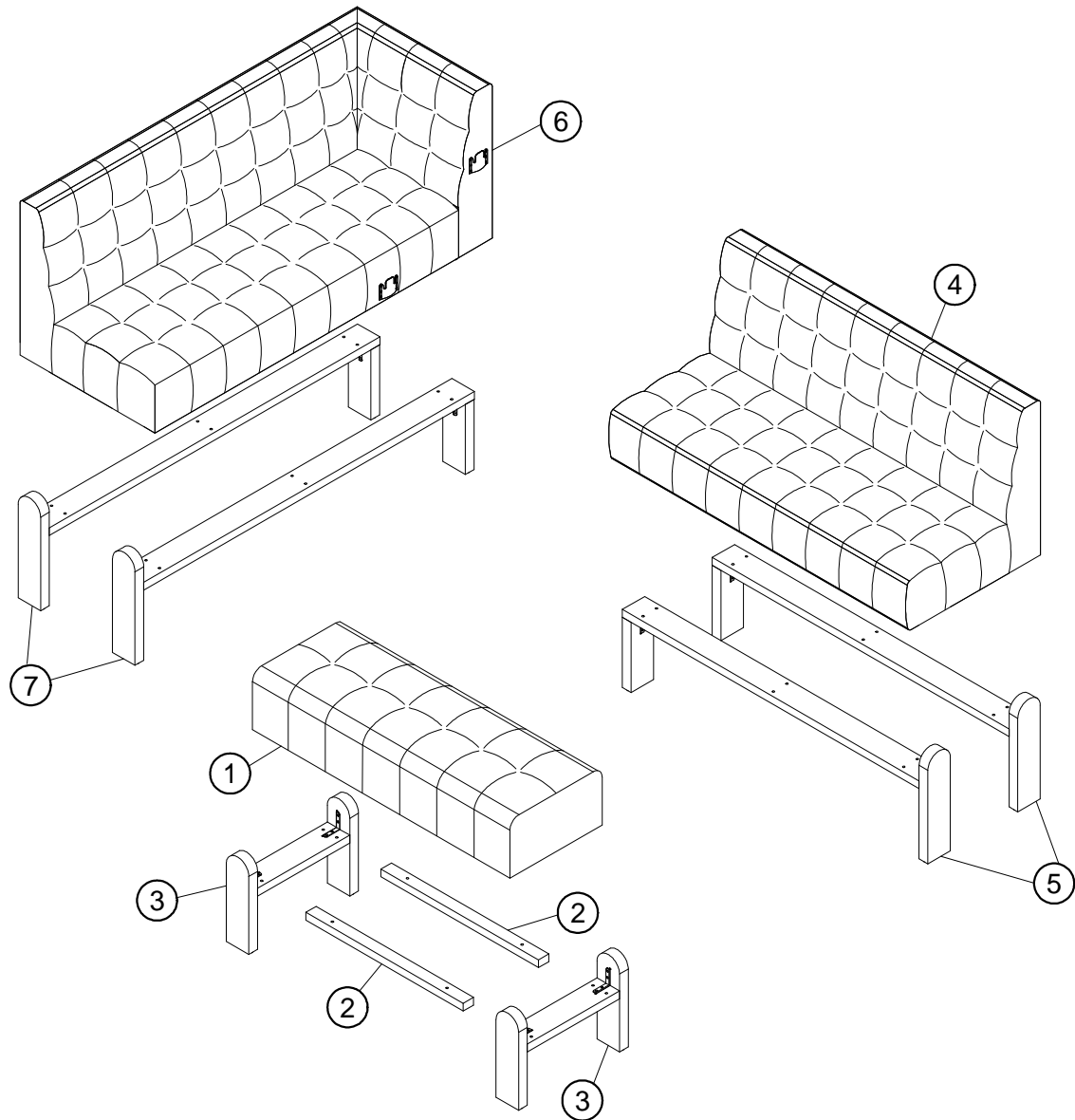
Never allow any kind of liquid to remain on your furniture.  
Absorption can cause wood to warp or finishes to de-laminate.

Do not place hot items (e.g. hot drinks) directly on to the wood surface. Please make sure you use a placemat or coaster.

# NEXT

BEAMOUNT CORNER BENCH AND EXTENDING DINING TABLE SET  
H40589  
Assembly instructions

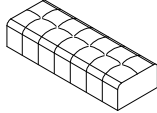
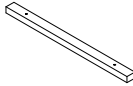
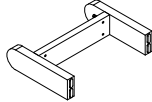
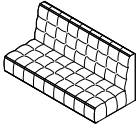
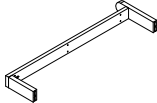
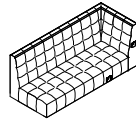
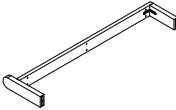
## GETTING TO KNOW YOUR PRODUCT



# NEXT

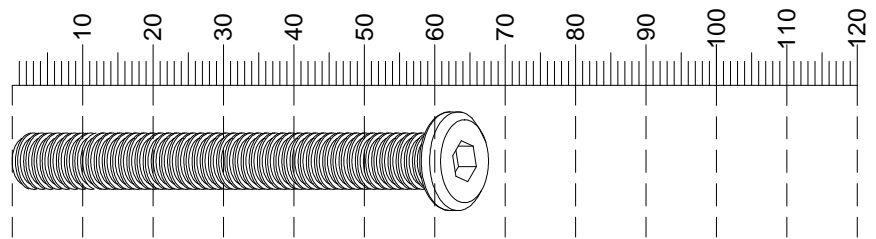
## BEAMOUNT CORNER BENCH AND EXTENDING DINING TABLE SET H40589 Assembly instructions

Components supplied. Please use this guide if you require replacement parts.

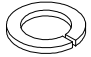
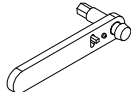


Ref	Dimensions	Visual	Qty	Ctn
1	43x114cm		1	5
2	4.5x69.5cm		2	3
3	35x49cm		2	3
4	60x134.5cm		1	4
5	41x136cm		2	3
6	60x150.5cm		1	5
7	41x151cm		2	3

**Fixtures and fittings  
supplied (actual size)**

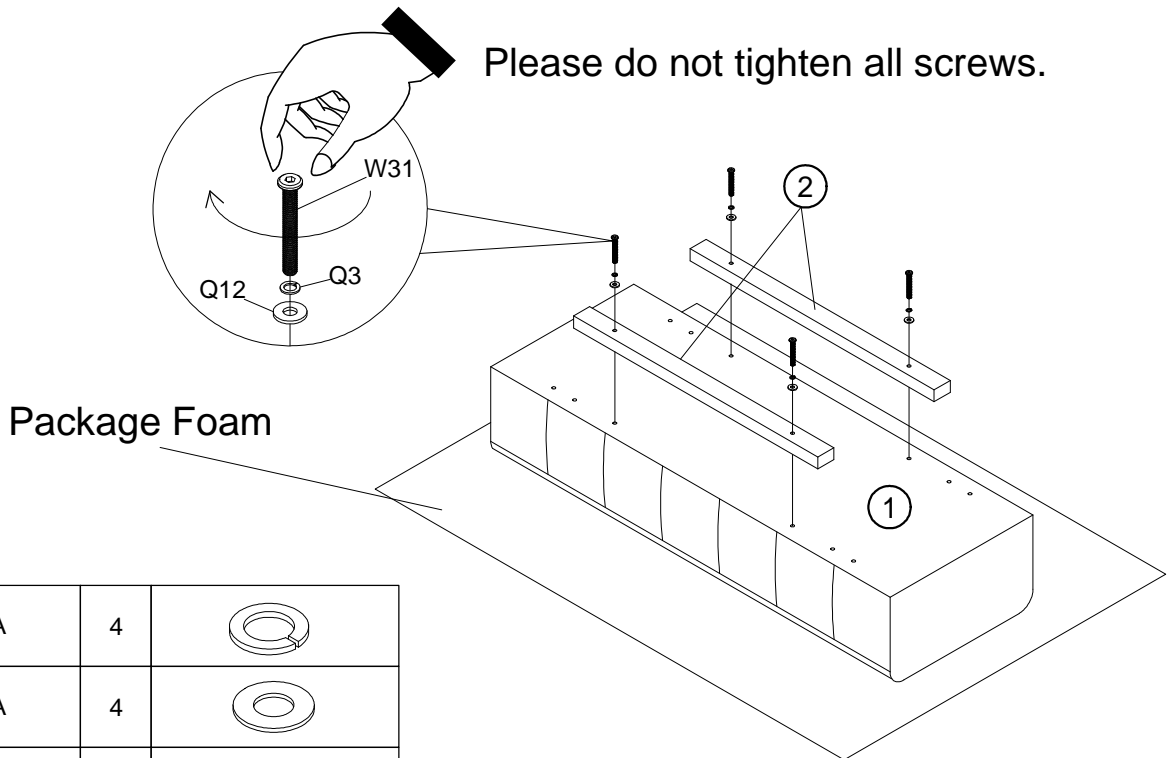
Ref	Dimensions	Qty	Spare Qty
W31	Ø8 x 60mm	36	2






**Fixtures and fittings supplied ( not to scale)**

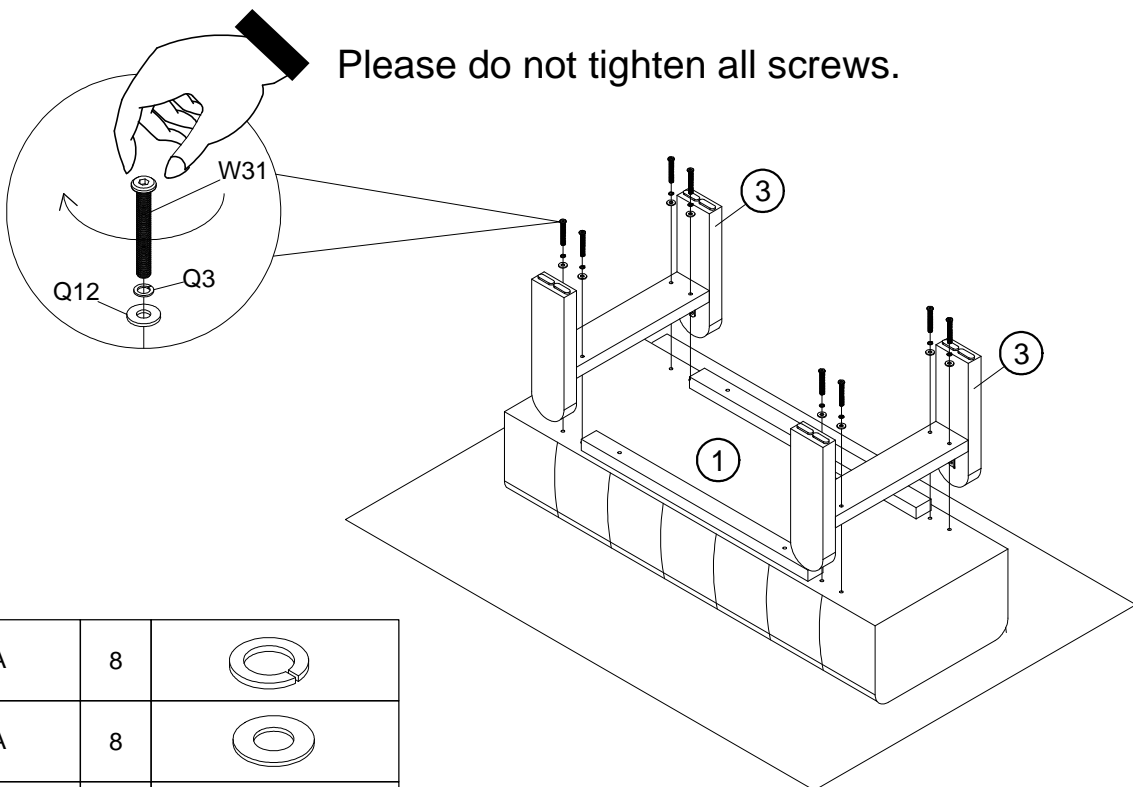
Ref	Dimensions	Qty	Spare Qty	Visual
Q3	N/A	36	2	
T10	N/A	1	N/A	
T5	N/A	2	N/A	
Q12	N/A	36	2	




1



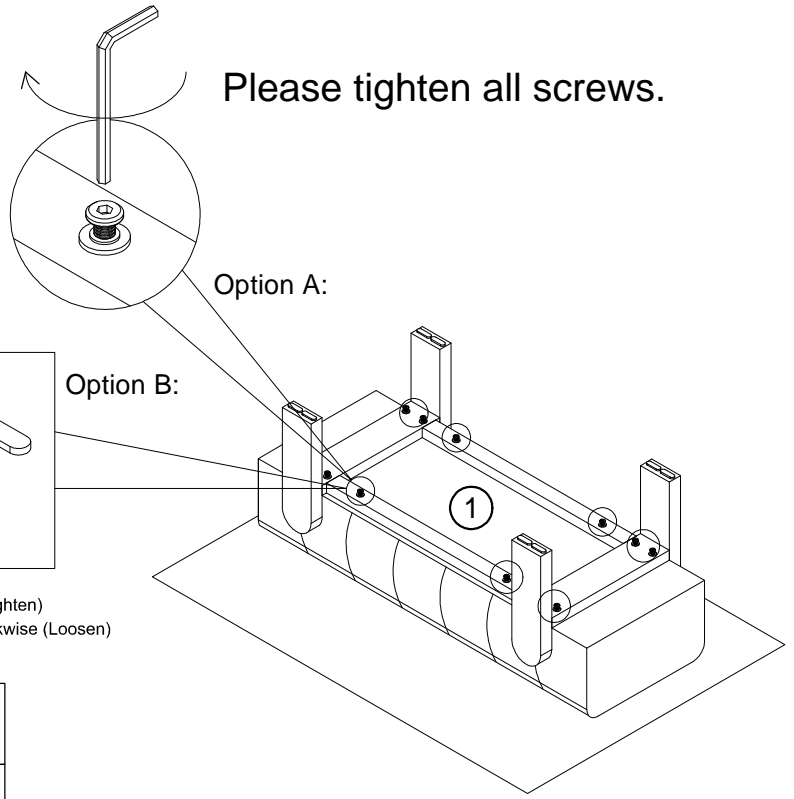
Q3	N/A	4	
Q12	N/A	4	
W31	Ø8 x 60mm	4	

2



Q3	N/A	8	
Q12	N/A	8	
W31	Ø8 x 60mm	8	

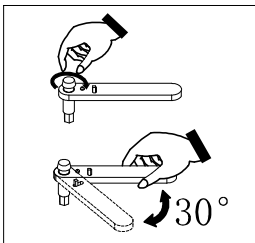
3



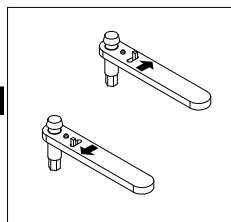
Please tighten all screws.

Option A:


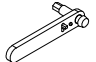
Option B:



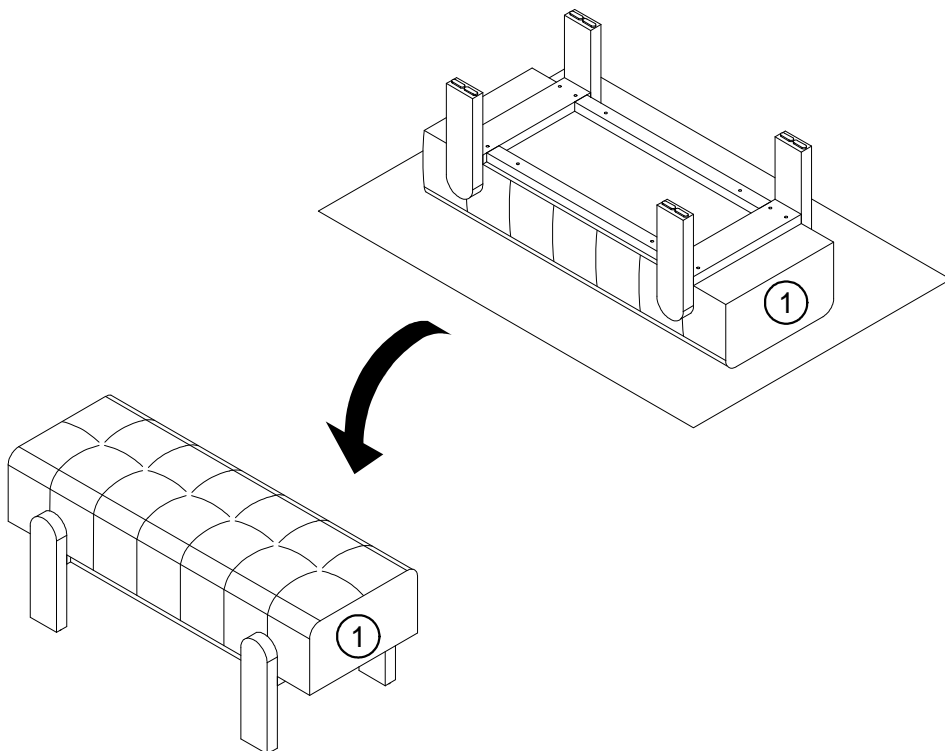
Operation  
Swing handle within 15°-30° arc  
using ratchet mechanism.



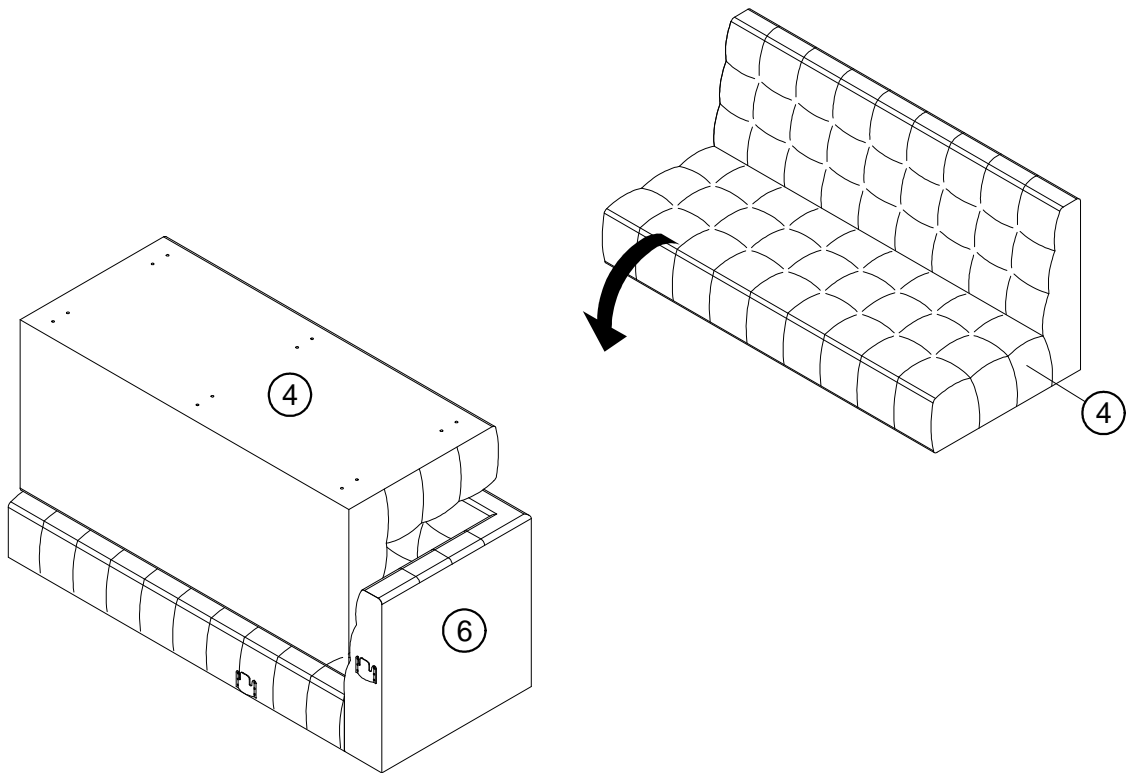
Direction Switch  
← Left: Clockwise (Tighten)  
→ Right: Counterclockwise (Loosen)

T5	N/A	2	
T10	N/A	1	

4



5



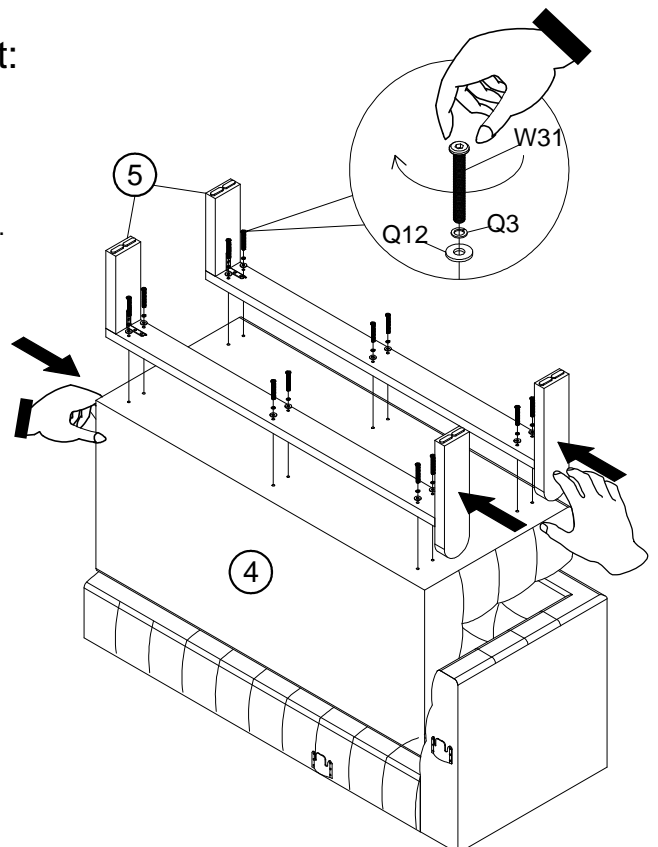
6

## Adjustment for Hole Misalignment:

Step ①: One person pushes firmly on the leg from the right side (per the diagram view).

**CAUTION:** A second person must simultaneously hold the sofa steady from the left side to avoid tipping.

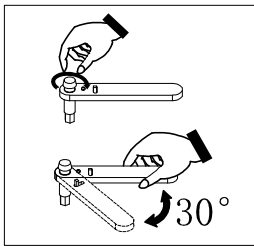
Step ②: Align the holes, insert the screws, and tighten them until they are about 80% secure.



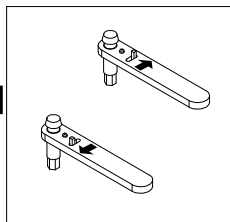
Q3	N/A	12	
Q12	N/A	12	
W31	Ø8 x 60mm	12	

7

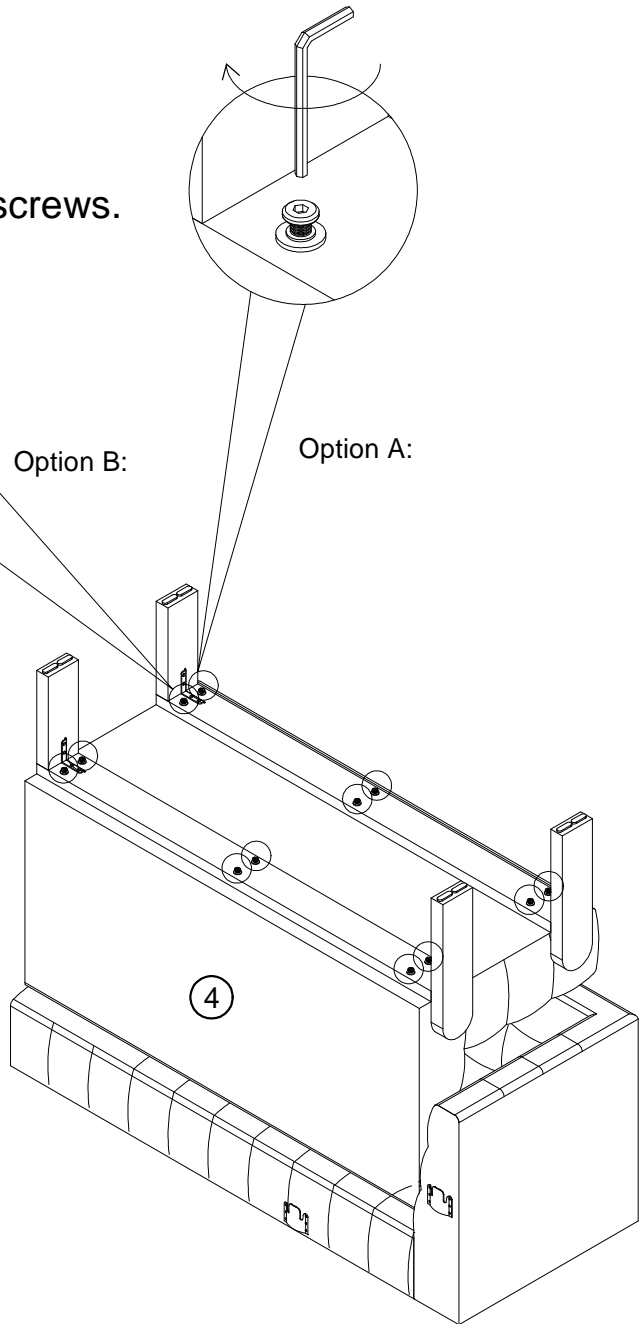
Please tighten all screws.



Operation  
Swing handle within 15°-30° arc  
using ratchet mechanism.



Direction Switch  
← Left: Clockwise (Tighten)  
→ Right: Counterclockwise (Loosen)

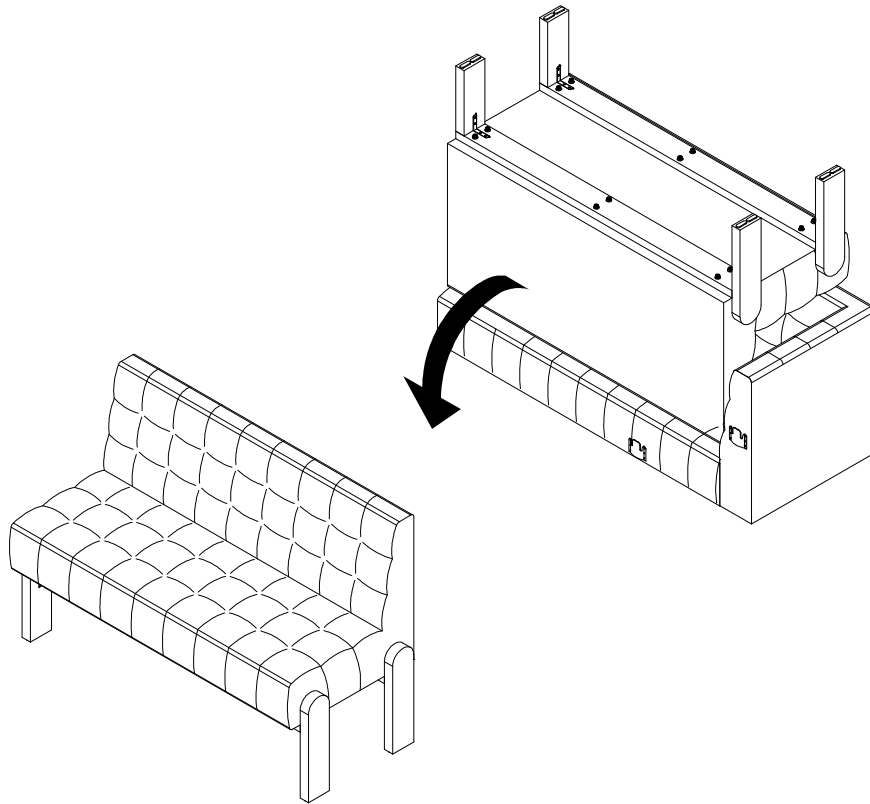


T5	N/A	2	
T10	N/A	1	

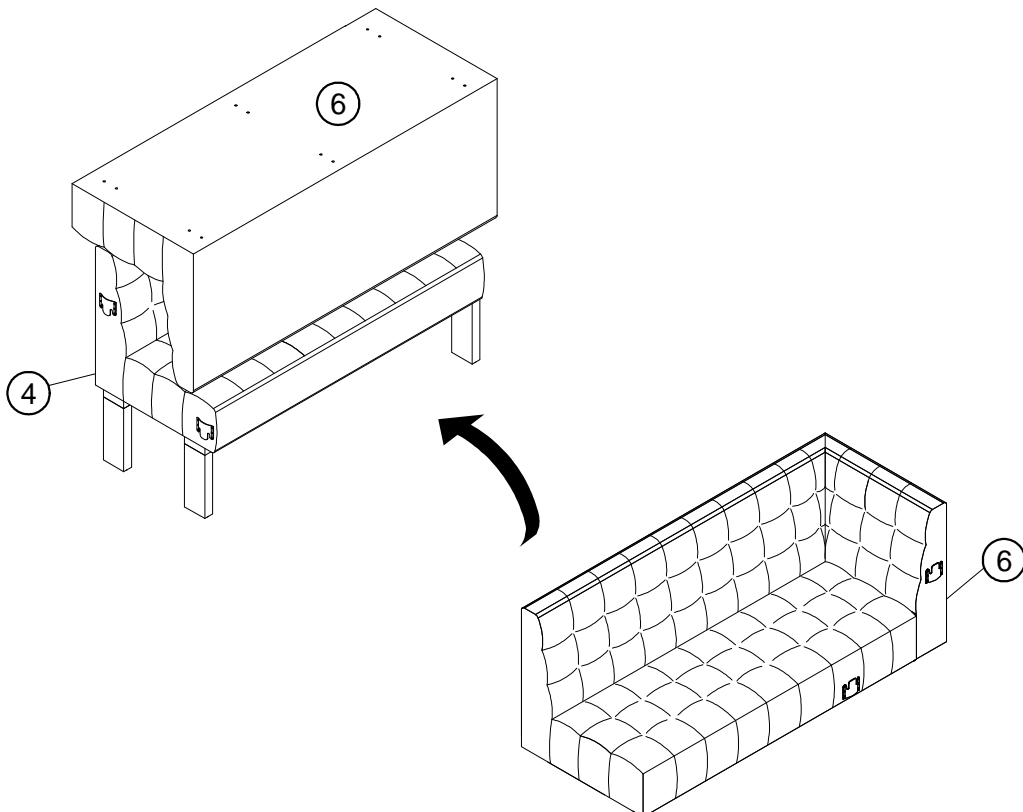
# NEXT

## BEAMOUNT CORNER BENCH AND EXTENDING DINING TABLE SET H40589 Assembly instructions

8



9



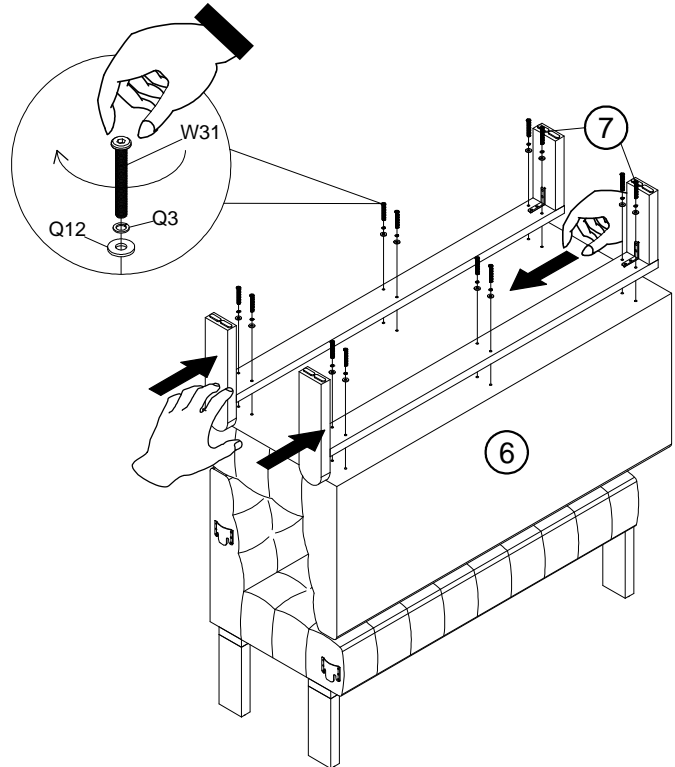
### 10




### Adjustment for Hole Misalignment:

Step ①: One person pushes firmly on the leg from the right side.

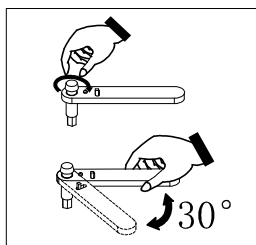
**CAUTION:** A second person must simultaneously hold the sofa steady from the left side to avoid tipping.

Step ②: Align the holes, insert the screws, and tighten them until they are about 80% secure.

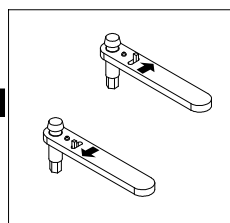


Q3	N/A	12	
Q12	N/A	12	
W31	Ø8 x 60mm	12	

### 11



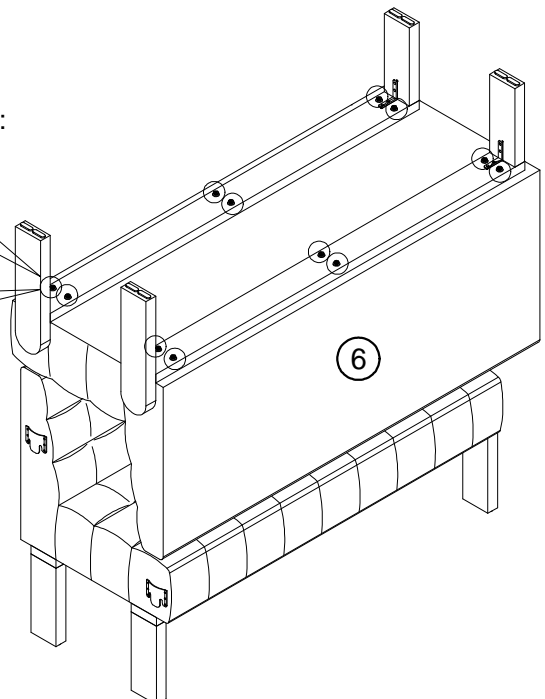
Operation  
Swing handle within 15°-30° arc using ratchet mechanism.


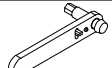


Direction Switch  
← Left: Clockwise (Tighten)  
→ Right: Counterclockwise (Loosen)

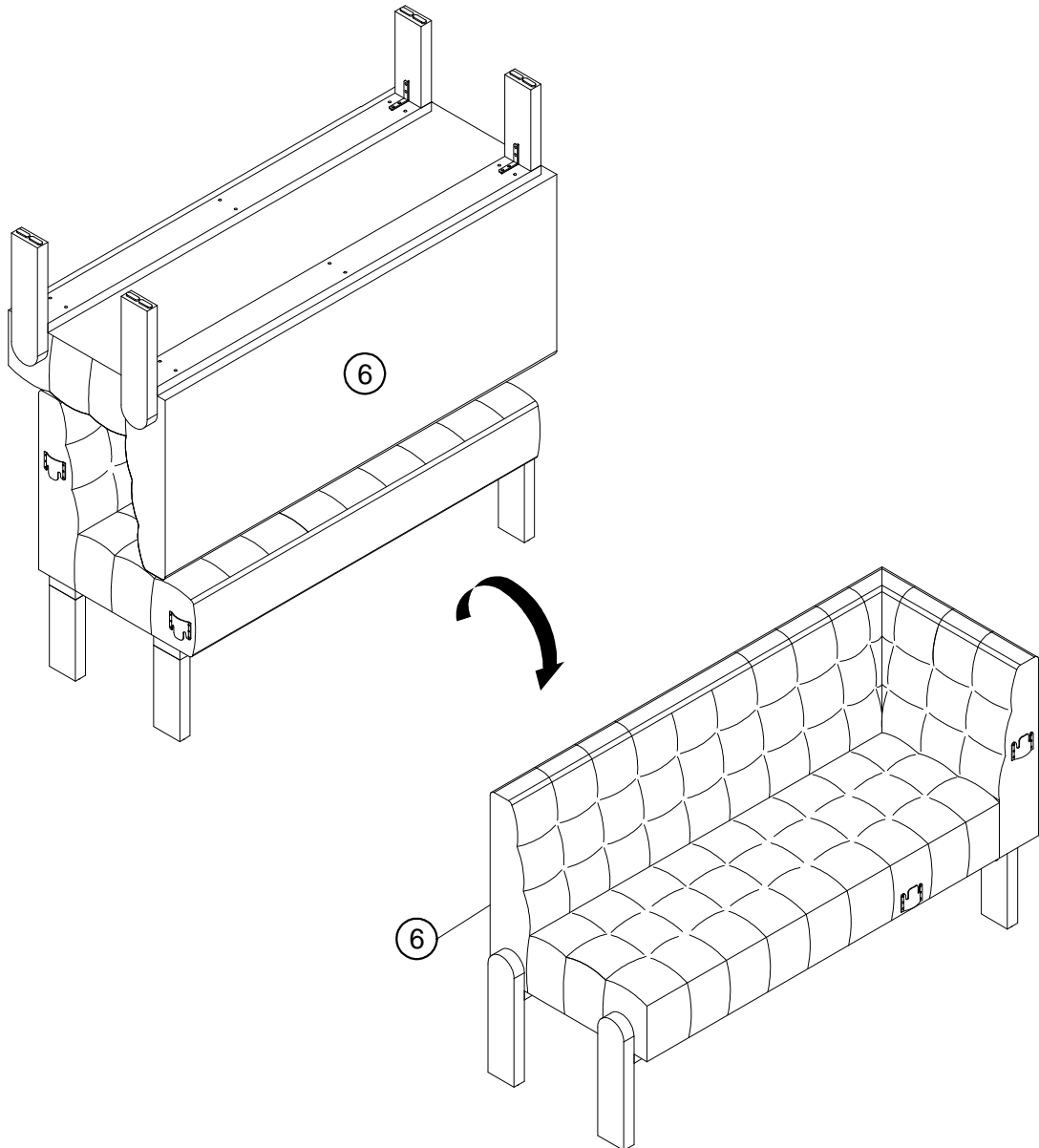
Option A:

Option B:



T5	N/A	2	
T10	N/A	1	

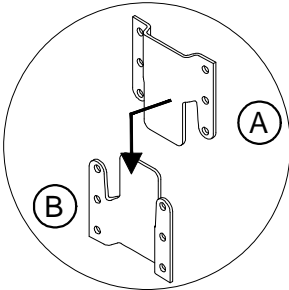
12



13

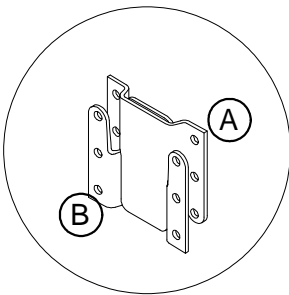
### Warning:

- Two people to assemble the sofa and to lift the sofa into position.
- Do not lift the sofa when assembled.

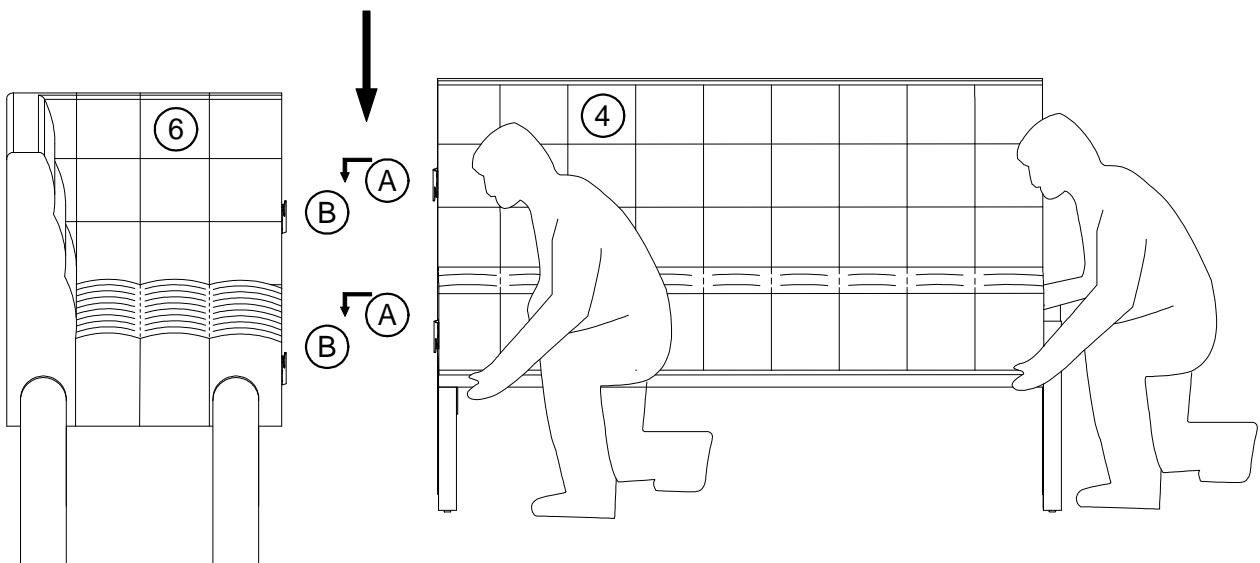


### Instructions for linkage

The linkage is made through a hook A to be inserted in another hook B.

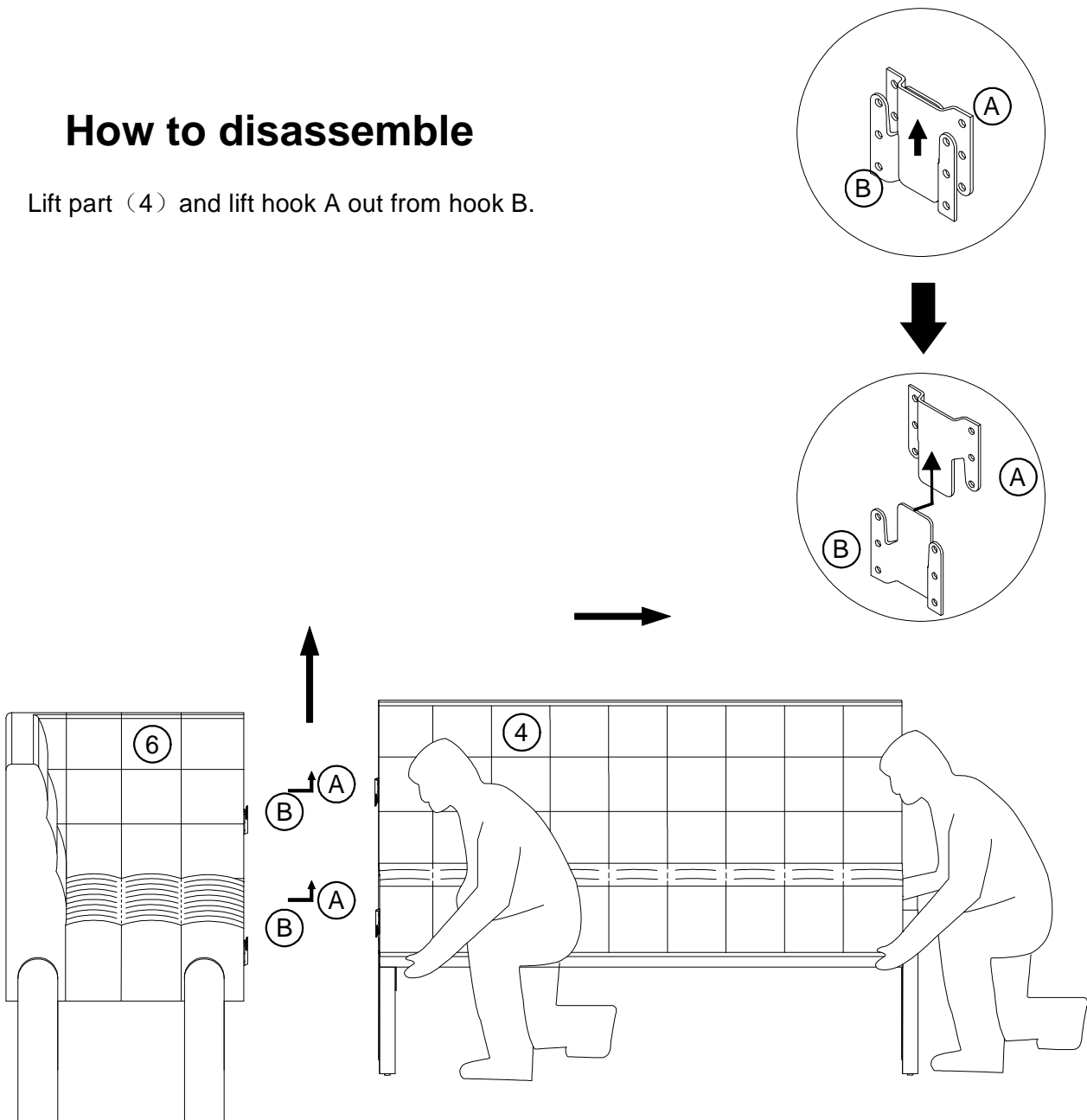


- Step 1: Lift part (4) / Hook A (Backrest side first) down into Backrest/Hook B
- Step 2 : Place the cushion front (Hook A) down into Hook B.
- Step 3 : Ensure all parts are connected and push down so all hooks are linked.



## How to disassemble

Lift part (4) and lift hook A out from hook B.



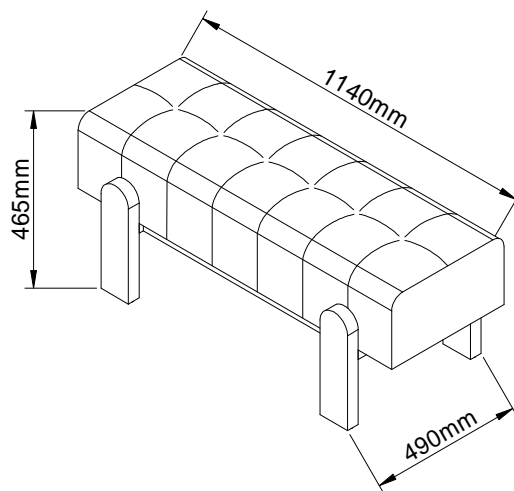
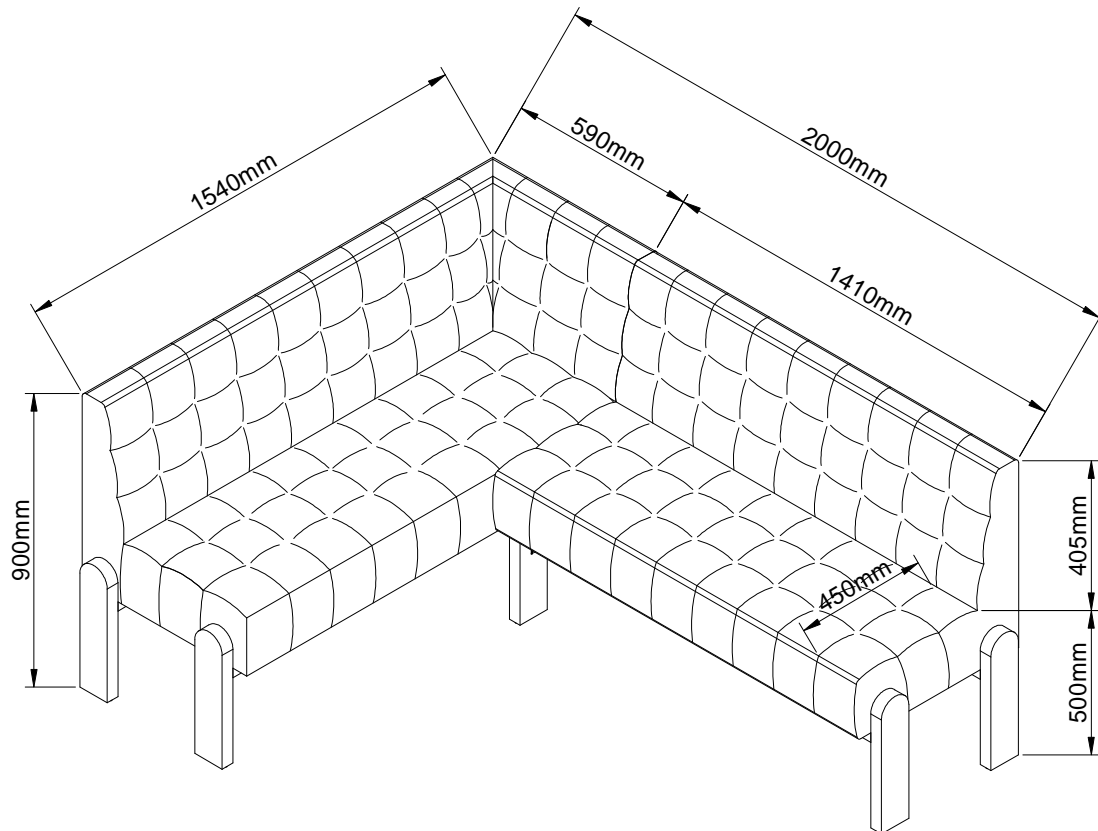
# NEXT

## BEAMOUNT CORNER BENCH AND EXTENDING DINING TABLE SET H40589

**Actual product size**

H90 x W200 x D154 cm

H46.5 x W114 x D49 cm



# NEXT

BEAMOUNT CORNER BENCH AND EXTENDING DINING TABLE SET  
H40589

## Warnings

We suggest you retain these instructions for future reference.

Keep fittings out of children's reach and keep children well away from construction area.

This product should only be used on firm level ground.

Please periodically check all fittings and re-tighten as necessary.

Please do not sit or stand on your furniture.

Avoid exposing the furniture to excessive heat or direct sunlight as this can cause deterioration of the colour.

Unwrap all packaging materials and place the components on top of the carton box or on a clean floor to protect it from damage

## Missing parts

If you are missing any fixtures and fittings for your product. Please contact our customer service team on 0333 777 8999 and they will be happy to arrange for a replacement to be sent to you free of charge.

## Home service technicians

If you have a fault with your product, please contact our customer service team on 0333 777 8999. If you have had the product for 28 days or less you may be offered a replacement, refund or for a fully trained home service technician to visit your home to assess the fault and repair the product where possible. If you have had the product for more than 28 days we will send an independent home service technician to review and repair the product where possible and recommend further action.

## You can write to us at

Home Customer Services  
Next Retail Ltd.  
Desford Road,  
Leicester,  
LE19 4AT

To view our full furniture range please visit [www.next.co.uk](http://www.next.co.uk)