

NEXT

FORDHAM FLIP BED - H56225

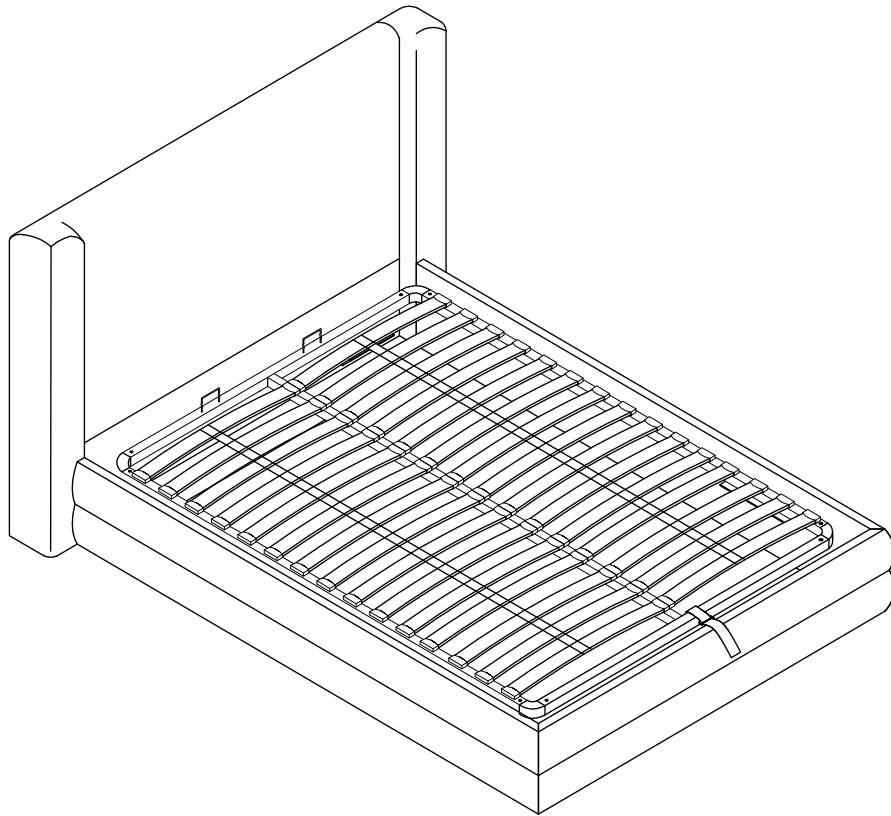
Assembly instructions

Actual product size

DOUBLE: H110 x W168 x L207 cm

KING: H110 x W183 x L217cm

SUPER KING: H110 x W213 x L217cm



Item number	Fabric name	Fabric composition
H56225	Boucle Twill Oyster Natural -Savio 900	100% Polyester

Need Help?

With: Assembly instruction
Missing or damaged parts
CALL: 0333 777 8999

IMPORTANT - RETAIN FOR FUTURE REFERENCE

FORDHAM FLIP BED - H56225

Assembly instructions

BEFORE YOU START

Two people are required to assemble this item

Time to assemble: 90 minutes



Do's

Spend a short time reading through this leaflet before you start.

When you are ready to start, make sure that you have the right tools and plenty of space.

Due to the size of the product, we recommend that it is assembled in the room intended for use.

Unwrap all packaging materials and place the components on a clean surface to protect it from damage. We recommend that the packaging is used to protect the light coloured fabrics during assembly.

Carefully check that you have all the parts before beginning assembly.

Ensure the product is fully assembled as illustrated and all fixings are fully tightened before use. Check fixings regularly to ensure they remain tight.

To clean your item, please use a vacuum or lightly brush clean.

Please note:

Periodically check the condition of your bed slats and plastic locating caps to ensure they are in good condition and have not become loose.

Don'ts

Do not drag the assembled bed.

Do not apply Adhesive substrates for example, sticky tape to the product.

Do not use silicone based furniture polish. Silicone in furniture polishes can break down the lacquer finish.

Never allow any kind of liquid to remain on your furniture. Absorption can cause finishes to de-laminate and or stain

Missing parts

If you are missing any fixtures and fittings for your product. Please contact our customer service team on 0333 777 8999 and they will be happy to arrange for a replacement to be sent to you free of charge.

Warnings

Retain these instructions for future reference.

Keep fittings out of children's reach and keep children well away from construction area.

This product should only be used on firm level ground.

Periodically check all fittings and re-tighten as necessary.

Do not jump or stand on your bed.

Avoid exposing the furniture to excessive heat or direct sunlight as this can cause damage to the materials and deterioration of the colour.

Double: MIN 20kg / MAX 60kg

King: MIN 25kg / MAX 70kg

Superking: MIN 30kg / MAX 85kg

Home Service Technicians

If you have a fault with your product, please contact our customer service team on 0333 777 8999. If you have had the product for 28 days or less, you may be offered a replacement, refund or for a fully trained home service technician to visit your home to assess the fault and repair the product where possible. If you have had the product for more than 28 days, we will send an independent home service technician to review and repair the product where possible and recommend further action.

You can write to us at

Home Customer Services
Next Retail Ltd
Desford Road,
Leicester,
LE19 4AT

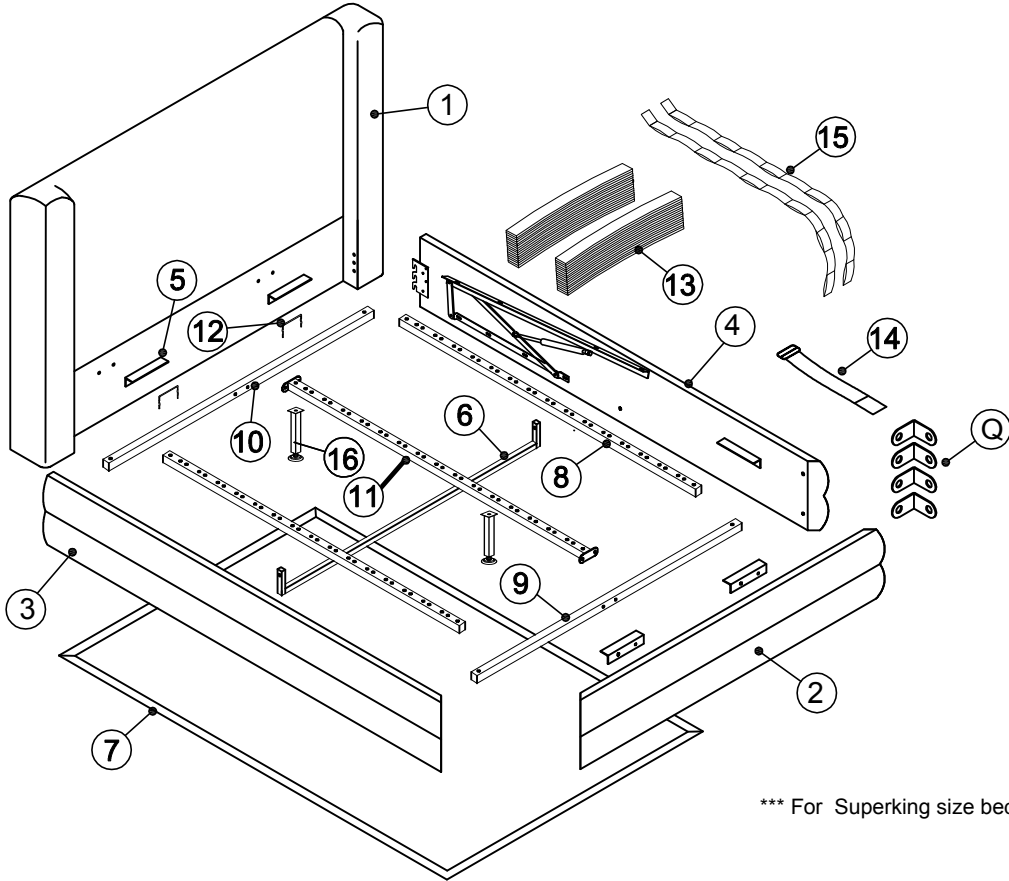
To view our full furniture range
please visit www.next.co.uk

Need Help?

With: Assembly instruction
Missing or damaged parts
CALL: 0333 777 8999

FORDHAM FLIP BED - H56225

GETTING TO KNOW YOUR PRODUCT



- ⑪ x2pcs
- ⑮ x3pcs
- ⑯ x4pcs

*** For Superking size bed,

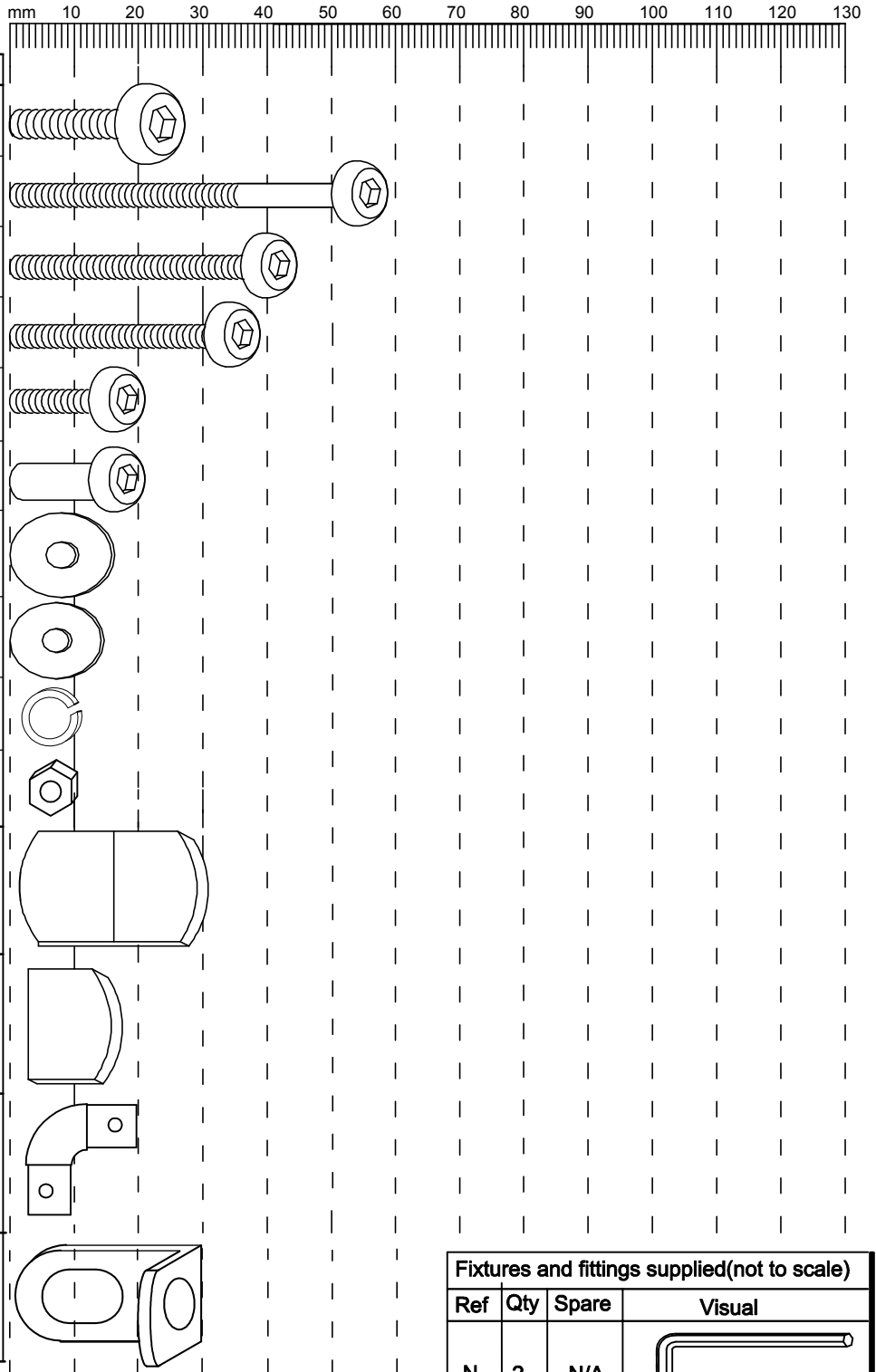
Components supplied. Please use this guide if you require replacement parts.

Ref	Dimension	Visual	Qty	Box	Ref	Dimension	Visual	Qty	Box
1	Headboard Double: 169x110cm King: 184x110cm Super King: 214x110cm		1	1	8	Side Rails Double: 176 x 3cm King: 186 x 3cm Super King: 186 x 3cm		2	2
2	Footboard Double: 164x33cm King: 179x33cm Super King: 209x33cm		1	2	9	Cross Bar Front Double: 123 x 3cm King: 138 x 3cm Superking: 168 x 3cm		1	2
3	Side Panel Left Double: 183 x 30cm King: 193 x 30cm Super King: 193 x 30cm		1	2	10	Cross Bar Back Double: 123 x 3cm King: 138 x 3cm Superking: 168 x 3cm		1	2
4	Side Panel Right Double: 183 x 30cm King: 193 x 30cm Super King: 193 x 30cm		1	2	11	Centre Rail Double: 180 x 10cm King: 190 x 3cm Superking: 190 x 3cm		1 1 2	2
5	L Metals 10 x 3.5 cm		4	2	12	U Metals 10 x 9 cm		2	2
6	Centre Supporter Double: 137 x 12cm King: 152 x 12cm Super King: 182 x 12cm		1	2	13	Wood Slats Double: 660 x 6cm King: 735 x 6cm Superking: 585 x 6cm		30 30 45	2
7	Bottom Fabric Double: 172 x 121cm King: 182 x 141cm Superking: 182 x 163cm		1	2	14	Fabric Handle 12 x 7 cm		1	2
					15	Fabric Straps Double King Super king		2 2 3	2
					16	Supporting Legs 25 x 227 mm Double King Super king		2 2 4	2

FORDHAM FLIP BED - H56225

Fixtures and fittings supplied (actual size)

Ref	Dimension	Qty	Spare
A	8 x 25mm	22	2
B	6 x 50mm	8	N/A
C	6 x 40mm	4	N/A
D	6 x 25mm Double King Super king	4 4 8	N/A
E	6 x 15mm	16	N/A
F	6 x 20mm Double King Super king	4 4 8	N/A
G	8 x 13mm	22	2
H	6 x 11mm	48	2
I	6 x 10mm	38	2
J	6 x 11mm	8	N/A
K	65 x 56mm Double King Super king	15 15 30	1
L	65 x 30mm	30	2
M	90 x 3mm	4	N/A
Q	30 x 20mm	4	N/A

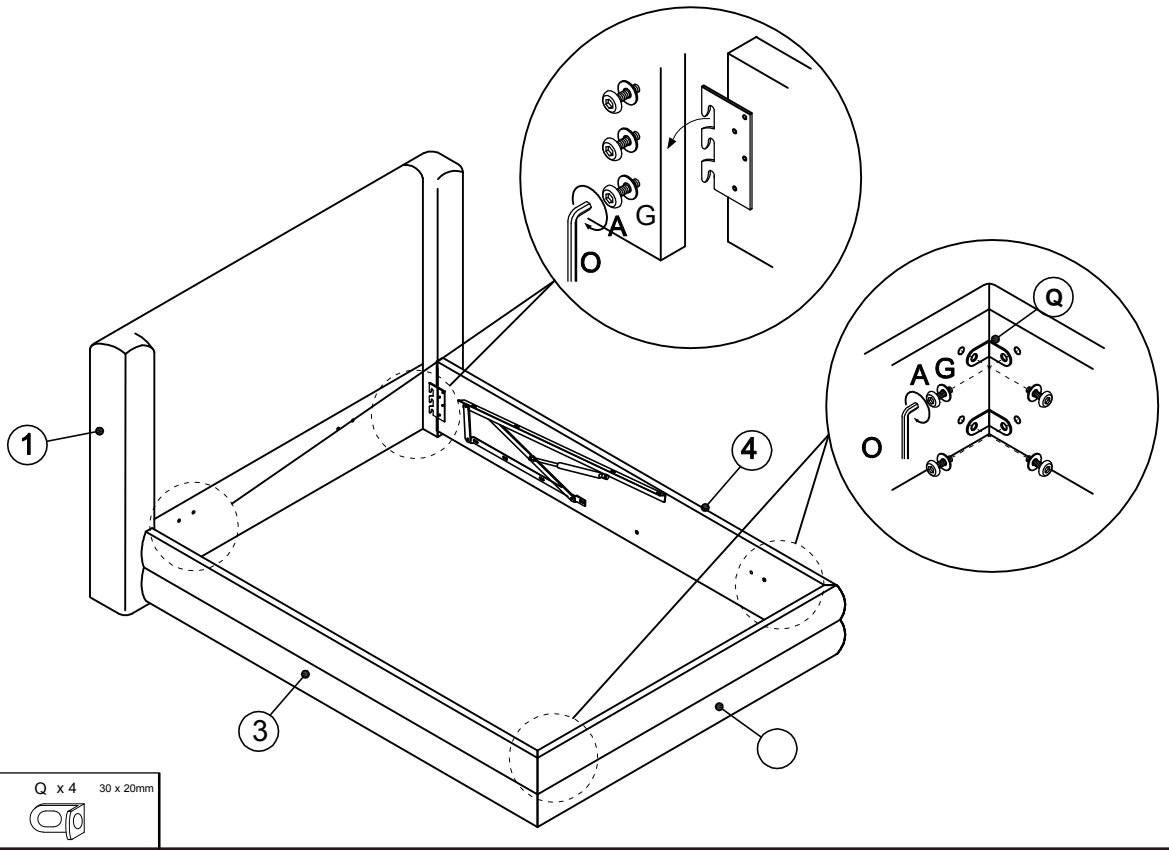


Fixtures and fittings supplied(not to scale)			
Ref	Qty	Spare	Visual
N	2	N/A	4 mm
O	1	N/A	5 mm
P	1	N/A	11 mm
R	1	N/A	13mm

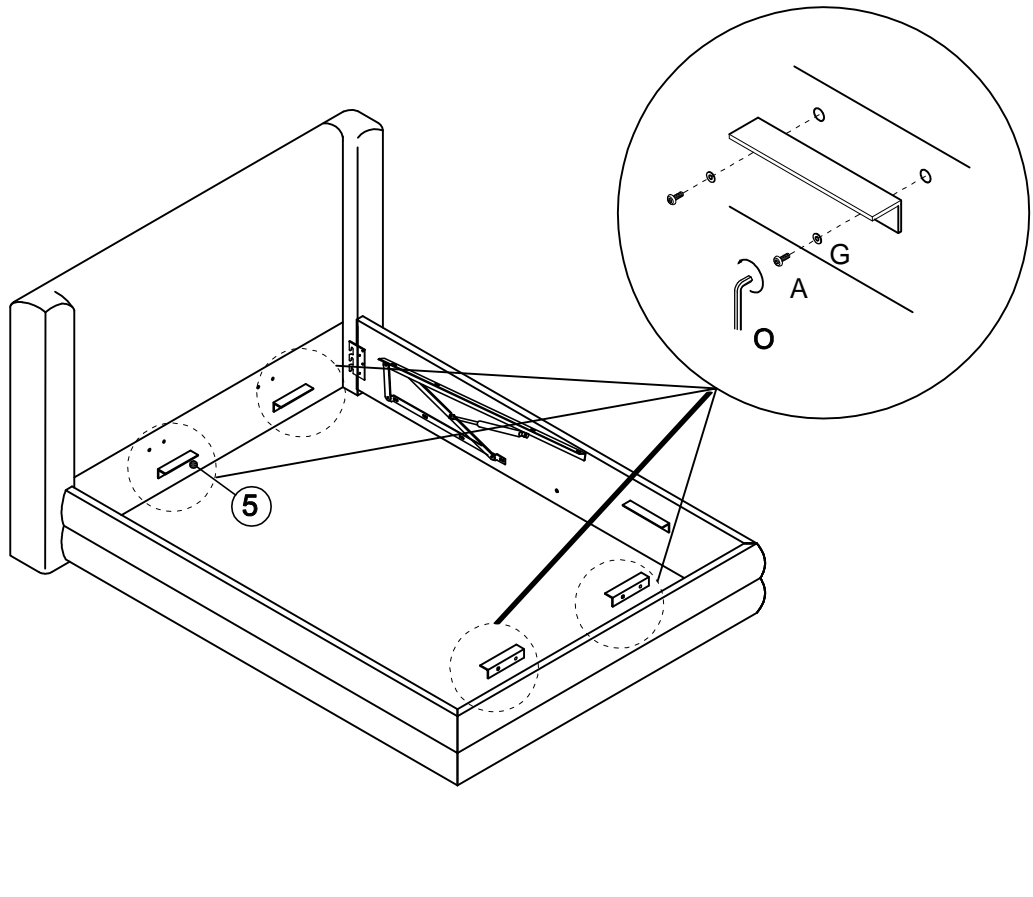
FORDHAM FLIP BED - H56225

Assembly instructions

1.



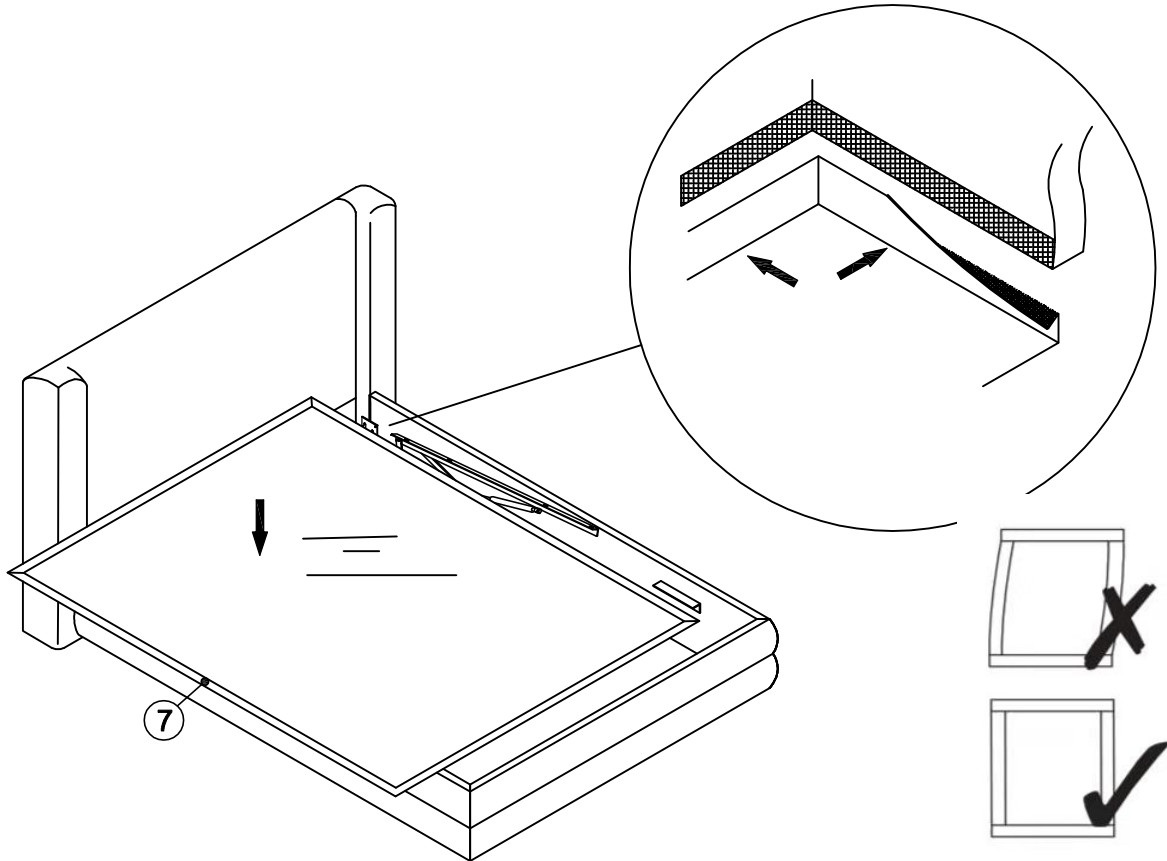
2.



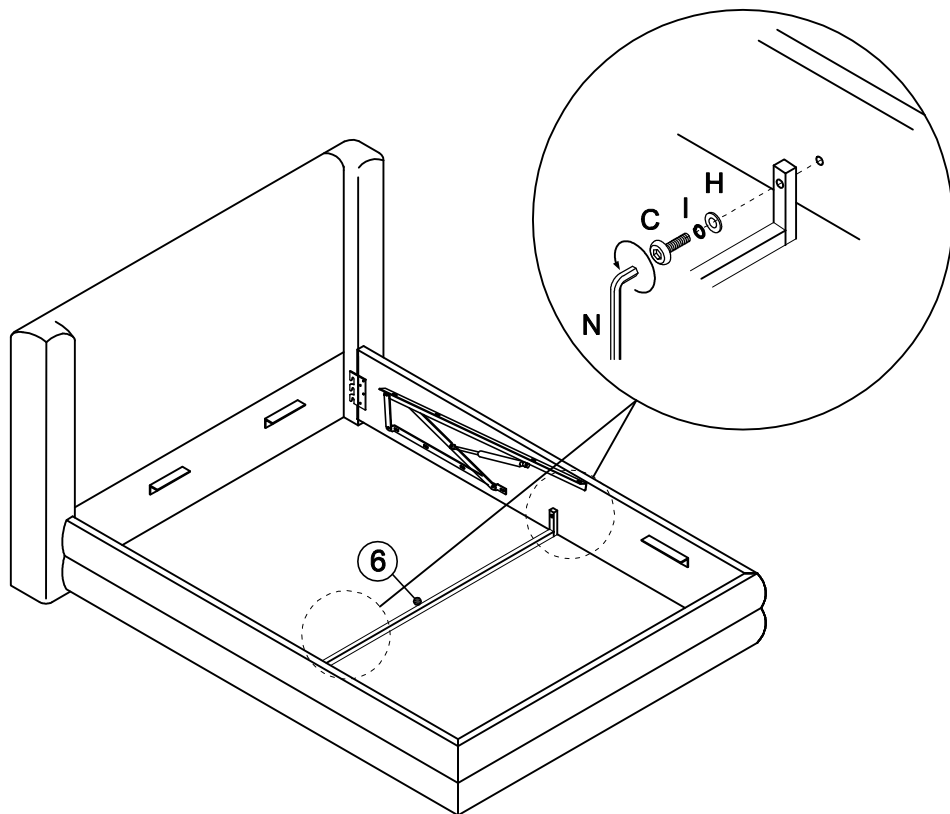
FORDHAM FLIP BED - H56225

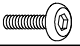


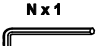
Assembly instructions

3.



4.

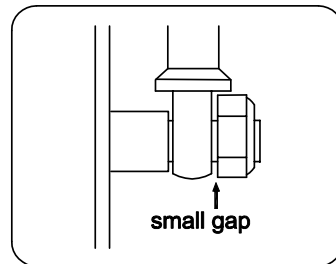
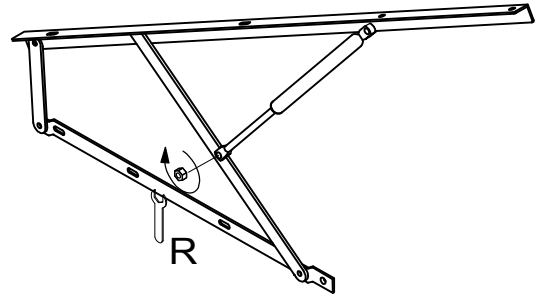
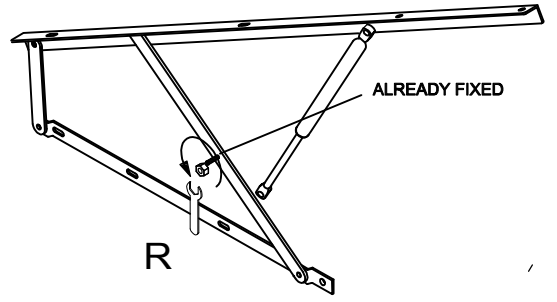
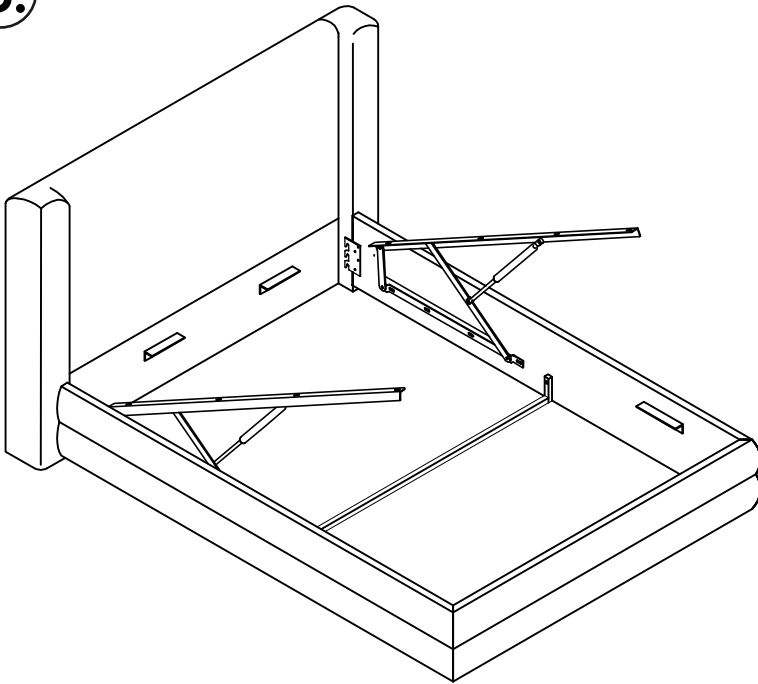


C x 2	6 x 40mm
	
H x 2	8 x 11mm
	
I x 2	6 x 10mm
	
N x 1	4 mm
	

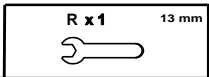
FORDHAM FLIP BED - H56225

Assembly instructions

5.

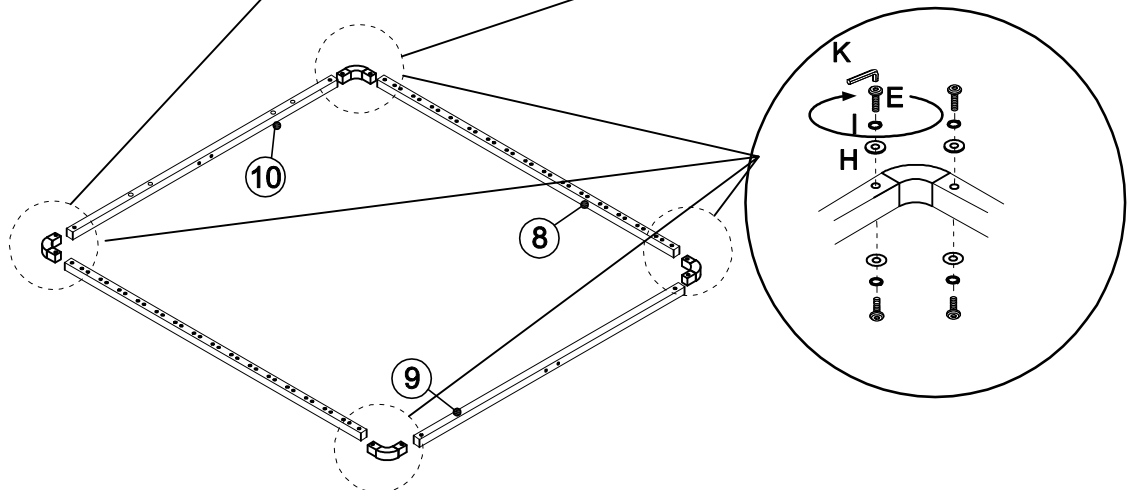
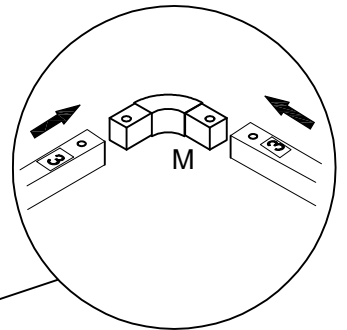
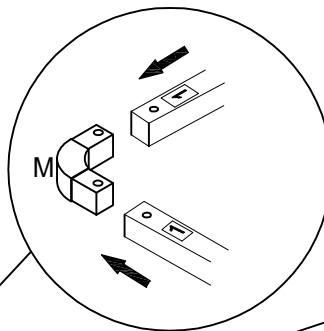


Please note: Do not over tighten the nuts.



6.

Please check the stickers on metal frames first then match the numbers accordingly.



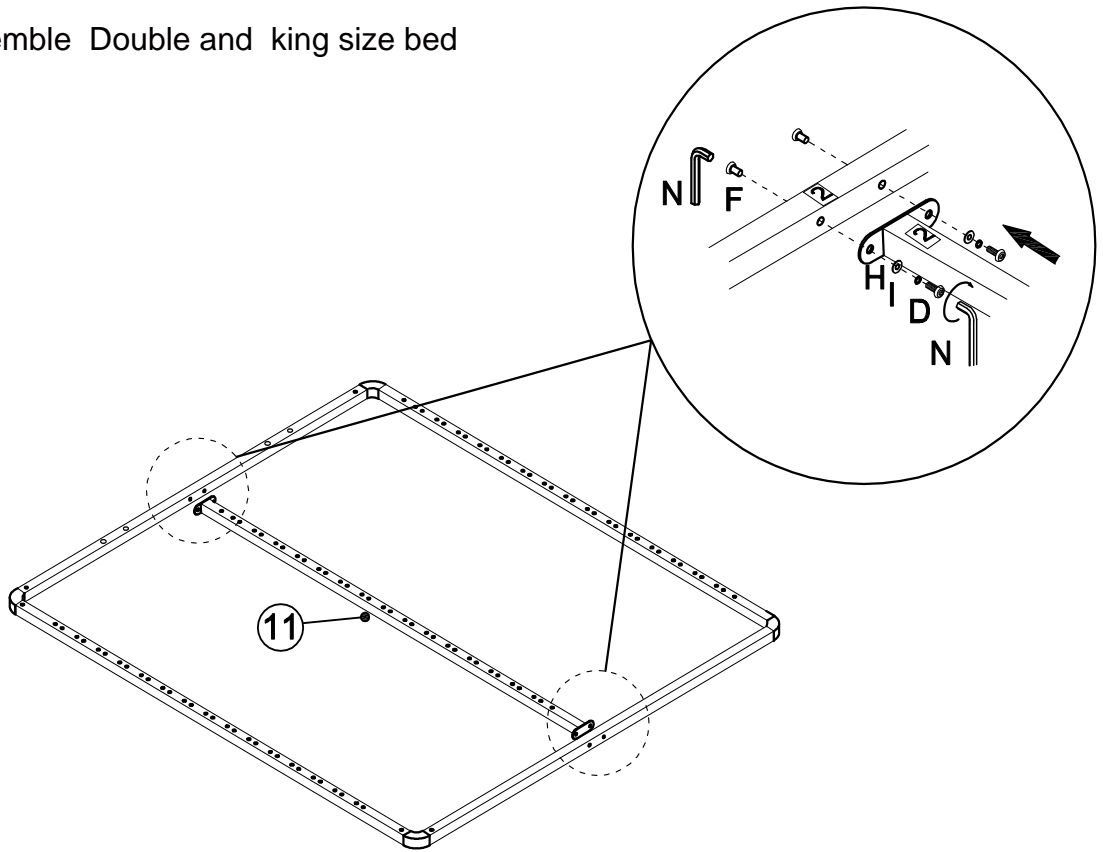
E x 16	6 x 16mm
H x 16	8 x 11mm
I x 16	8 x 10mm
N x 1	4 x 60mm
M x 4	90 x 3mm

FORDHAM FLIP BED - H56225

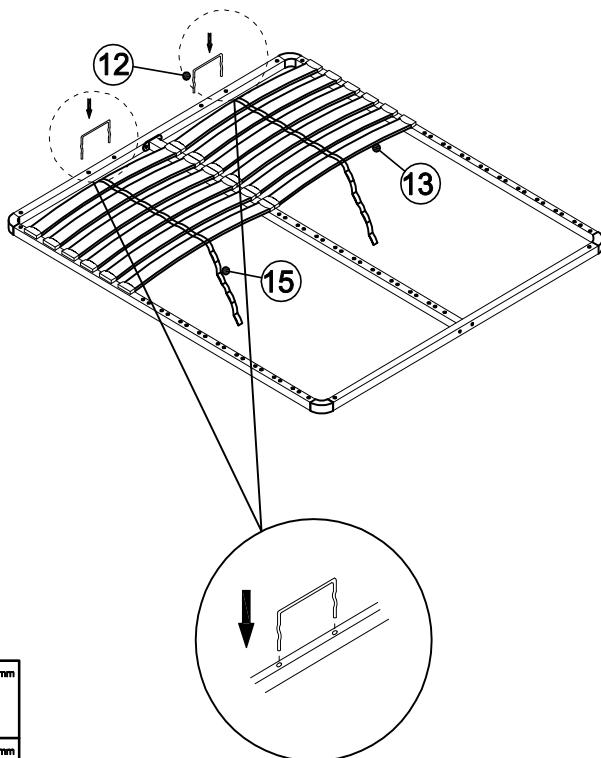
Assembly instructions

7.-1 To assemble Double and king size bed

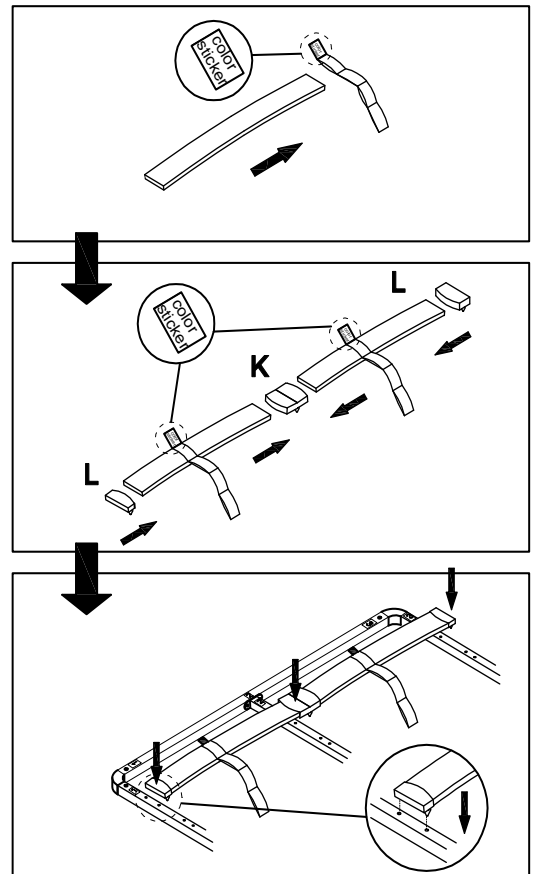
D x 4	6 x 25mm
F x 4	6 x 20mm
H x 4	6 x 11mm
I x 4	6 x 10mm
N x 2	4 x 60mm



7.-2 To assemble Double and king size bed
Please check the stickers on 2 nylon bands first, then start from this sticker side.



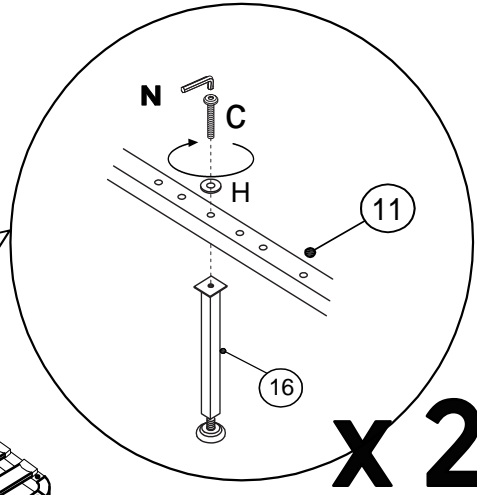
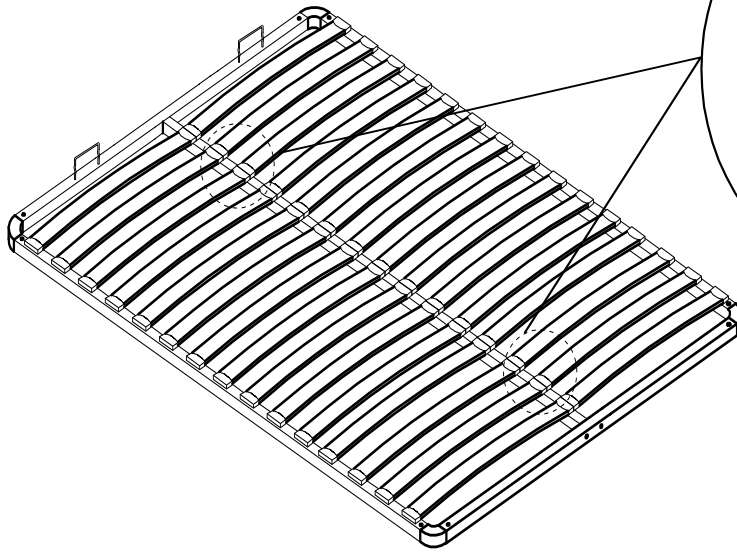
K x 15	65 x 58mm
L x 30	65 x 30mm



FORDHAM FLIP BED - H56225

Assembly instructions

7-3. To assemble Double and king size bed

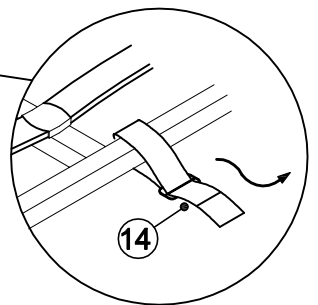
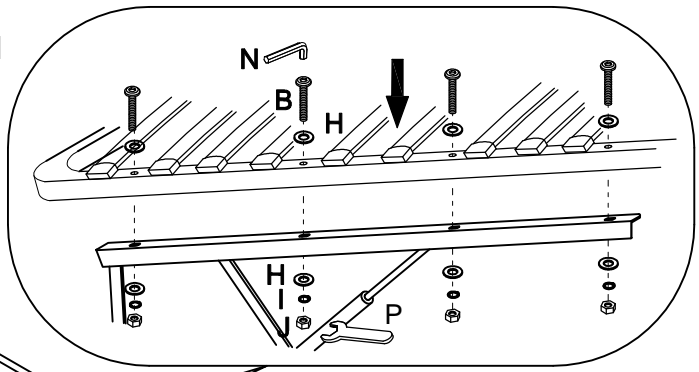
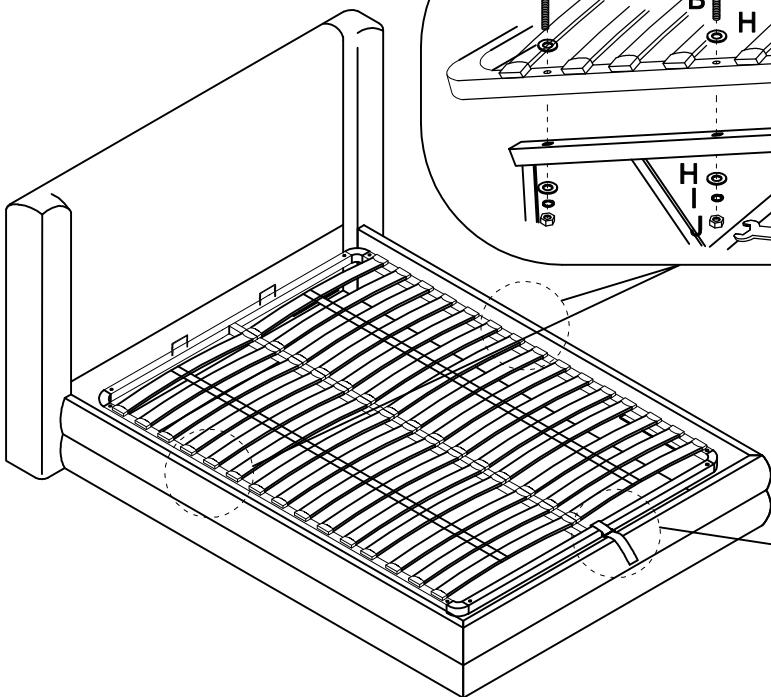


x 2

C	6x40mm	2					
H	6 x 11mm	2		N	N/A	1	

4 x 60mm

7-4. To assemble Double and king size bed



B x 8	6 x 60mm	
J x 8	6 x 11mm	
H x 16	6 x 11mm	
I x 8	6 x 10mm	
N x 1	4 x 60mm	
P x 1	11 x 60mm	

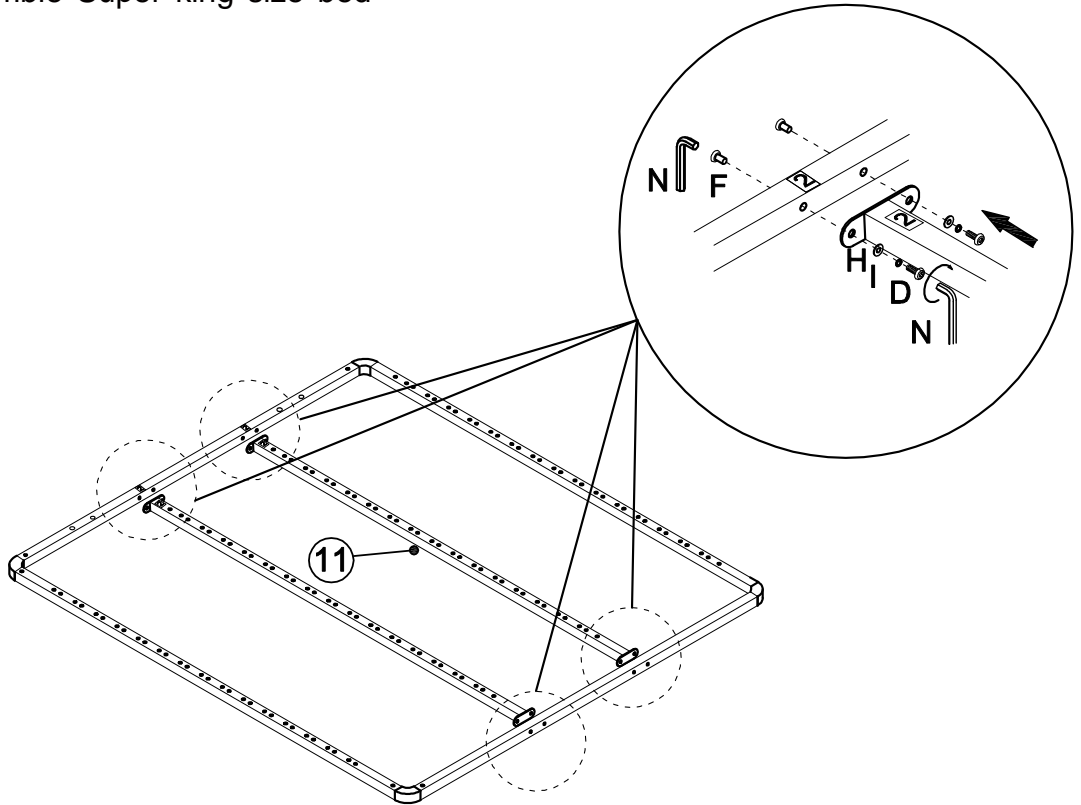
FORDHAM FLIP BED - H56225

Assembly instructions

8-1.

To assemble Super king size bed

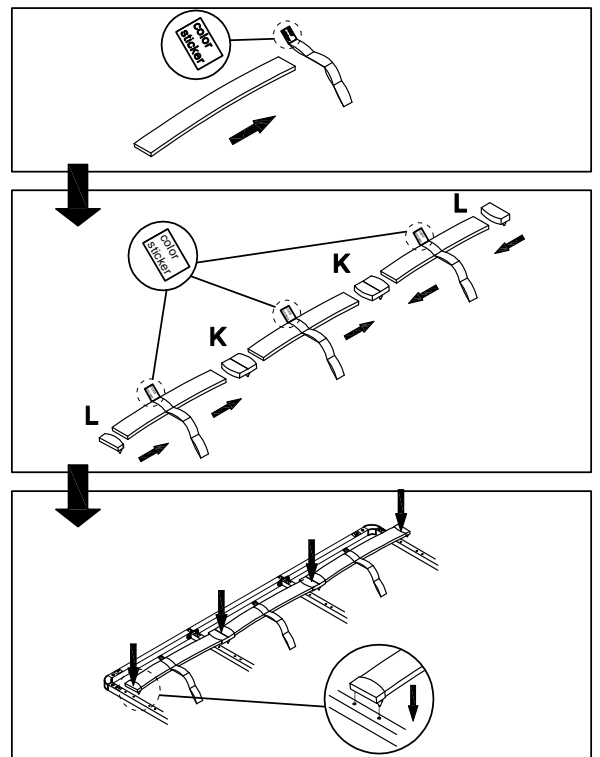
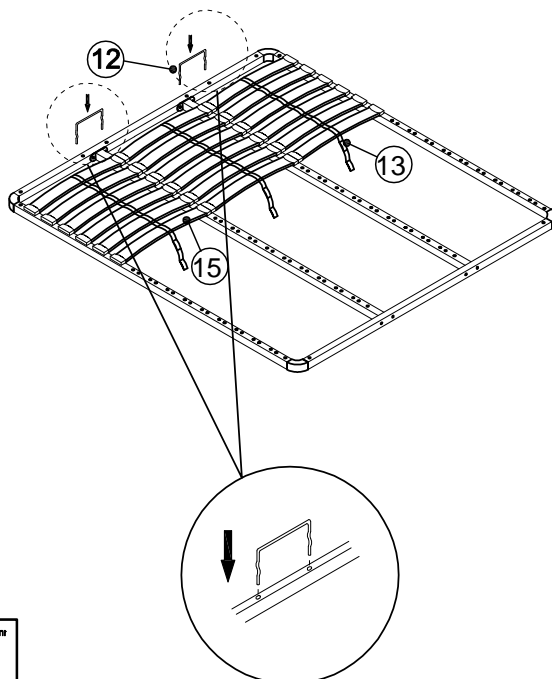
D x 8	6 x 25mm
F x 8	6 x 20mm
H x 8	6 x 11mm
I x 8	6 x 10mm
N x 2	4 x 60mm



8-2.

To assemble Super king size bed

Please check the stickers on 2 nylon bands first, then start from this sticker side.

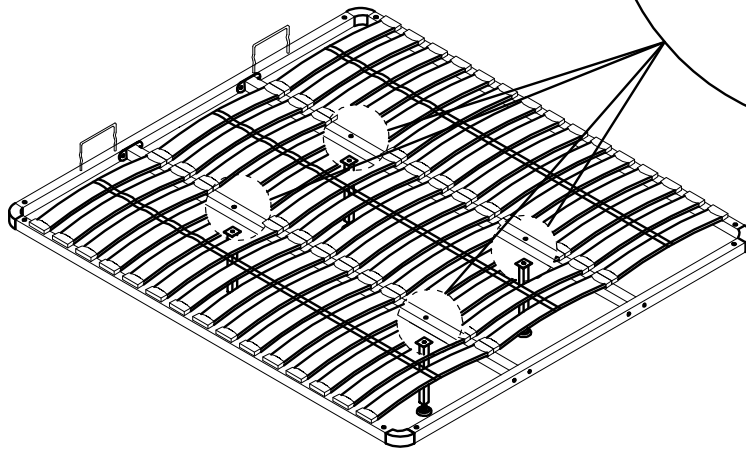


K x 30	66 x 66mm
L x 30	66 x 30mm

FORDHAM FLIP BED - H56225

Assembly instructions

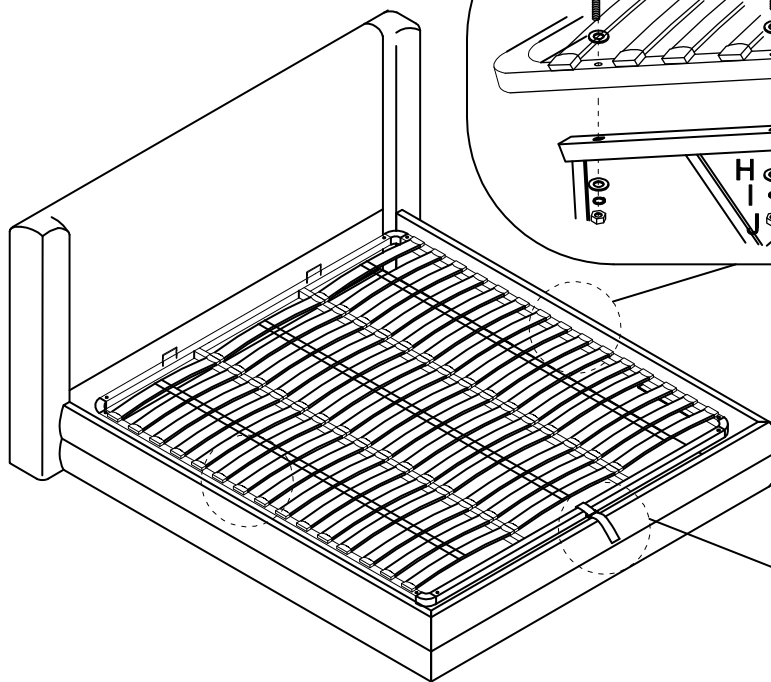
8-3. To assemble Super king size bed



x 4

C	6x40mm	4				
H	6 x 11mm	4		N	N/A	1

8-4. To assemble Super king size bed



B x 8	8 x 60mm	
J x 8	6 x 11mm	
H x 16	6 x 11mm	
I x 8	6 x 10mm	
N x 1	4 x 60mm	
P x 1	11 x 60mm	

FORDHAM FLIP BED - H56225

Actual product size

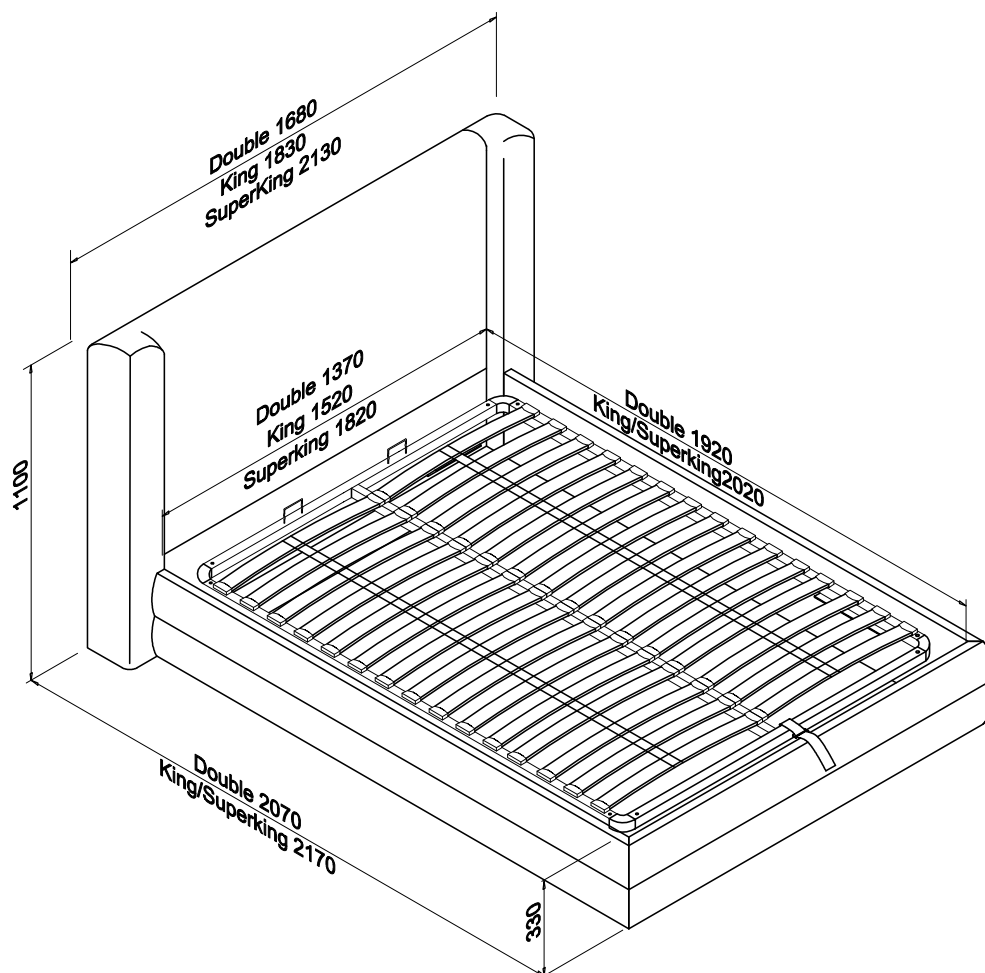
DOUBLE: H110 x W168 x L207cm

KING: H110 x W183 x L217cm

SUPER KING: H110 x W213 x L217cm

CAUTION: Flip beds use strong gas pistons to aid you in lifting the mattress to access your storage. Do not attempt to operate the mechanism without a mattress in place. This could cause damage to the frame or potential injury when opening or closing. Use the strap or handle provided to operate and keep hands and objects away from any of the moving components.

Minimum and maximum weight restrictions are highlighted below. Ensure your mattress meets this specification. Do not overload the bed frame as this will damage the mechanism.



Delivery Box Sizes (CM): Height x Width x Depth

	Double*	King*	Superking*
Box 1	172x114x22	187x114x22	217x114x22
Box 2	195x35x28	205x35x28	205x35x28
Box 3	189x23x12	199x23x12	214x26x12

*Sizes available may vary depending on Colour/ Fabric