

# NEXT

## BRAYDEN FLIP STORAGE BED H56226 H56228

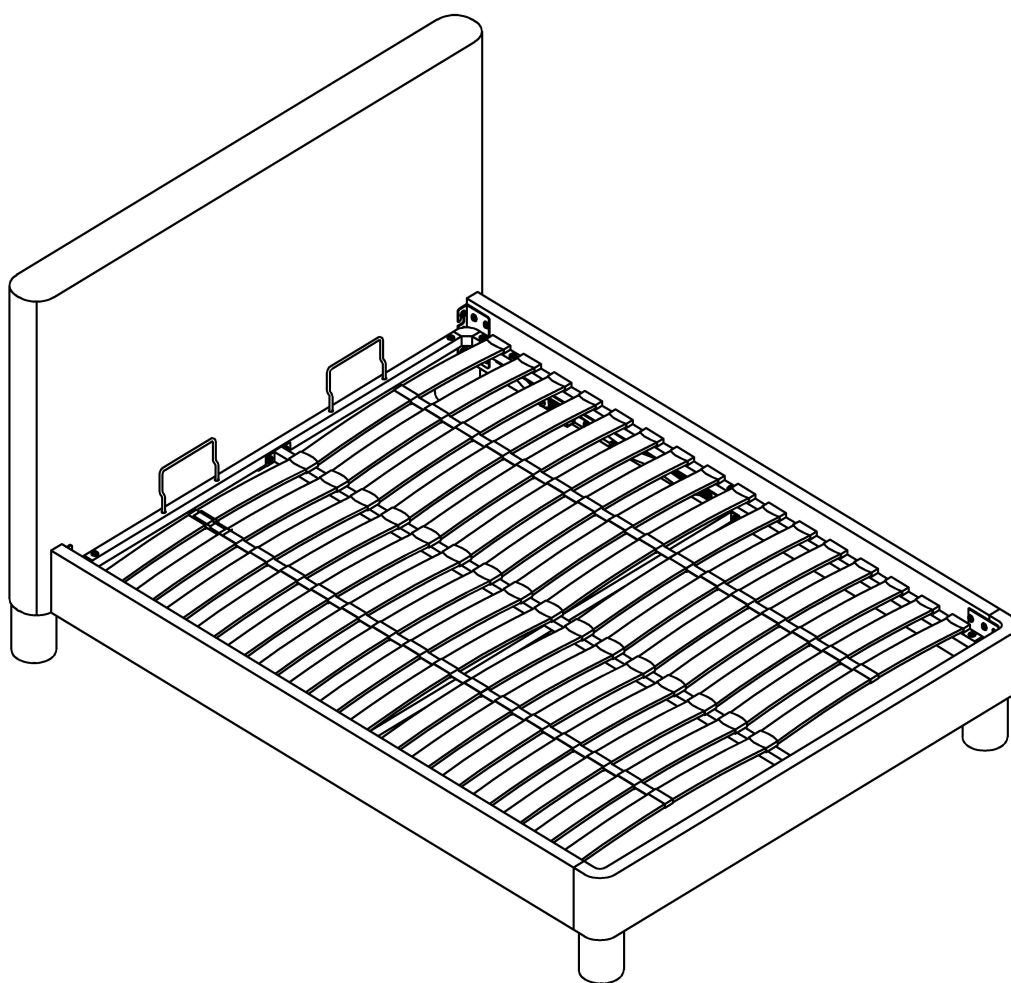
Assembly instructions

Actual product size

Small Double W141cm X L209cm X H110cm

Double W156cm X L209cm X H110cm

King W171cm X L219cm X H110cm



Item number	Fabric name -Leg	Fabric composition
H56226	Freya Frostine/SWHF-Rubber wood	100% Polyester
H56228	Freya Whirlwind/SWHF-Rubber wood	100% Polyester

### Need Help?

With: Assembly Instructions  
Missing or damaged parts

IMPORTANT - RETAIN FOR FUTURE REFERENCE

CALL: 0333 777 8999

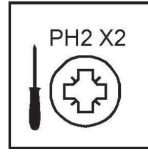
# BRAYDEN FLIP STORAGE BED

H56226 H56228

Assembly instructions

## BEFORE YOU START

Number of people required to assemble  
Two people are needed to assemble this item  
**Time to assemble** :60 minutes



## BEDS

### Warnings

Retain these instructions for future reference.  
Keep fittings out of children's reach. Keep children away from construction areas.  
This product should only be used on firm level ground. Periodically check all fittings and re-tighten as necessary. Do not jump or stand on the bed. Avoid exposing the furniture to excessive heat or direct sunlight as this can cause damage to the materials and deterioration of the colour.

### Do's

Do spend a short time reading through this leaflet before you start. When you are ready to start, make sure that you have the right tools and plenty of space. Due to the size of the product we recommend that it is assembled in the room intended for use. Unwrap all packaging materials and place the components on a clean surface to protect it from damage. We recommend that the packaging is used to protect light coloured fabrics and surfaces during assembly. Before beginning assembly carefully check that you have all the parts and fixings. Ensure the product is fully assembled as illustrated and all fixings are fully tightened before use. Check fixings regularly to ensure they remain tight. When moving your assembled bed, remove the mattress and bedding. Adjust the support leg to its shortest position. Then the bed must be lifted into position. Never drag the bed, as this can damage the legs. Once the bed is in the new position, readjust the support leg to be 5-10mm from the floor surface without the mattress. When in use the support legs will create the required support for the product. Never allow any kind of liquid to remain on your furniture. Absorption can cause materials to warp or finishes to de-laminate.

To clean your item, please use a vacuum or lightly brush clean. Never allow any kind of liquid to remain on your furniture. Absorption can cause finishes to de-laminate.

### Missing parts

If you are missing any fixtures and fittings for your product. Please contact our customer service team on 0333 777 8999 and they will be happy to arrange for a replacement to be sent to you free of charge.

### CAUTION:

Flip Beds/ Ottoman Storage beds use strong gas pistons to aid you in lifting the mattress to access storage. Do not attempt to operate the mechanism without a mattress in place. Operating incorrectly can damage the frame and cause injury. Strap must be positioned centrally along the base of the bed. Strap or Handle provided must be used to open the storage compartment. Keep hands and objects away from moving components. Minimum and maximum weight restrictions are highlighted below.

Double: MIN 20kg / MAX 60kg  
King: MIN 25kg / MAX 70kg  
Superking: MIN 30kg / MAX 85kg

Ensure your mattress meets this specification. Do not overload the bed frame as this will damage the mechanism.

To clean your item, please use a vacuum or lightly brush clean. Never allow any kind of liquid to remain on your furniture. Absorption can cause finishes to de-laminate.

Periodically check the condition of your bed slats and plastic locating caps to ensure they are in good condition and have not become loose.

### Home Service Technicians

If you have a fault with your product, please contact our customer service team on 0333 777 8999. If you have had the product for 28 days or less, you may be offered a replacement, refund or for a fully trained home service technician to visit your home to assess the fault and repair the product where possible. If you have had the product for more than 28 days, we will send an independent home service technician to review and repair the product where possible and recommend further action.

### You can write to us at

Home Customer Services  
Next Retail Ltd.  
Desford Road,  
Leicester;  
LE19 4AT

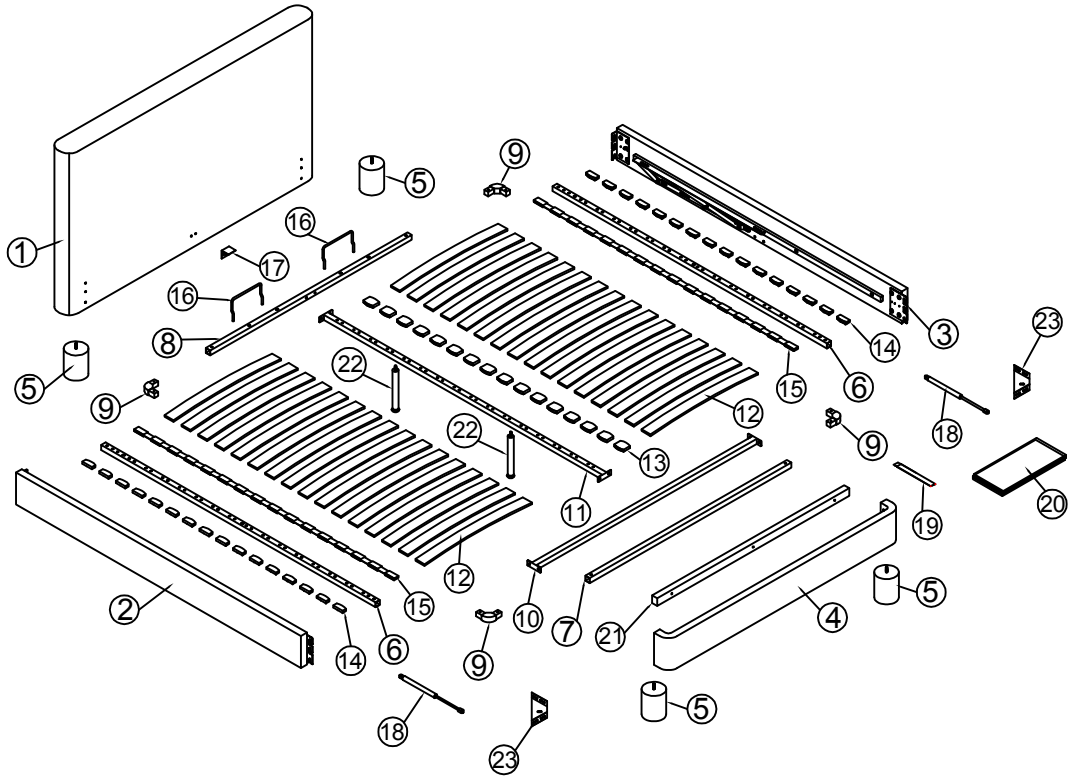
To view our full furniture range please visit  
[www.next.co.uk](http://www.next.co.uk)

## Need Help?

with: Assembly instructions  
Missing or damaged parts

CALL: 0333 777 8999

### GETTING TO KNOW YOUR PRODUCT



Components supplied. Please use this guide if you require replacement parts.

Ref	Dimension	Visual	Qty	Ctn
1	Small Double:141×95.5cm Double:156×95.5cm King:171×95.5cm		1	1
2	Small Double:189×21cm Double:189×21cm King:199×21cm		1	2
3	Small Double:189×21cm Double:189×21cm King:199×21cm		1	2
4	Small Double:128.5×21cm Double:143.5×21cm King:158.5×21cm		1	1
5	12×15cm		4	1
6	Small Double:178.6 x 3 cm Double:178.6x 3 cm King:188.6×3cm		2	2
7	Small Double:108.6 x 3 cm Double:123.6x 3 cm King:138.6×3cm		1	2
8	Small Double:108.6 x 3 cm Double:123.6x 3 cm King:138.6×3cm		1	2
9	9 x 3 cm		4	1
10	Small Double:122 x 3 cm Double:137x 3 cm King:152×3cm		1	2

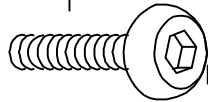
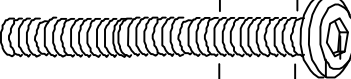
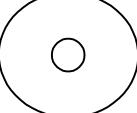
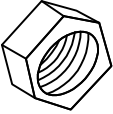

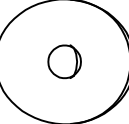

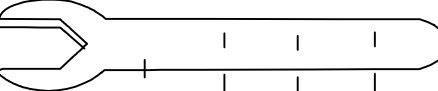
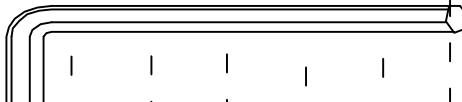
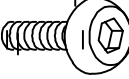

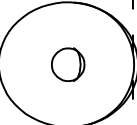
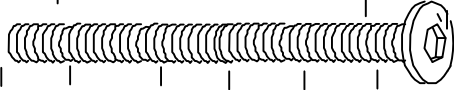
Ref	Dimension	Visual	Qty	Ctn
11	Small Double:182 x 3 cm Double:182x 3 cm King:192×3cm		1	2
12	Small Double:58.5x6cm Double:66x6cm King:73.5×6cm		30 30 32	1
13	Small Double:6.4 x 5.6 cm Double:6.4 x 5.6 cm King:6.4 x 5.6 cm (2 pcs spare part included)		15 15 16	1
14	Small Double:6.4 x 3 cm Double:6.4x 3 cm King:6.4 x 3 cm (2 pcs spare part included)		30 30 32	1
15	Small Double:170x5cm Double:170x5cm King:180×5cm		2	1
16	20.2 x 1 cm		2	1
17	5 x 5 cm		1	1
18	42 x 2.2cm		2	2
19	33 x 3 cm		1	1
20	Small Double:138*76cm Double:138*91cm King:148×106cm		1	1
21	Small Double:102×35cm Double:117×35cm King:132×35cm		1	1
22	24 x 3 cm		2	1
23			2	1

# BRAYDEN OTTOMAN BED

H56-226-207 H56-228-205 H56-226-210

H56-228-218 H56-226-252 H56-228-250

## Assembly instructions

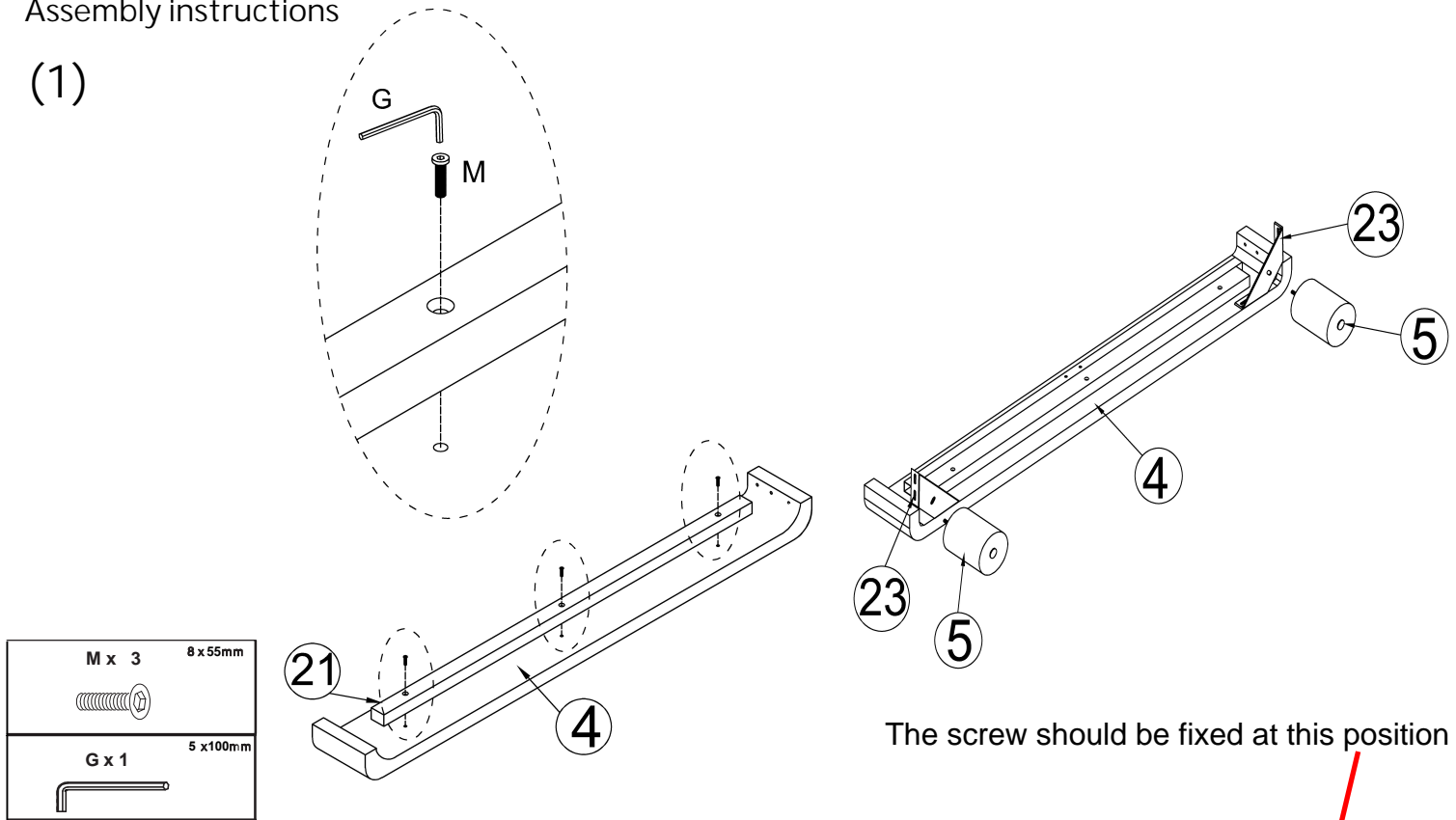
Fixtures and fittings supplied (actual size)				mm 10 20 30 40 50 60 70 80 90 100 110 120 130											
Ref	Dimensions	Qty	Spare Qty												
A	8 x 25mm	28	2												
B	8 x 50mm	8	1												
C	7x19mm	8	1												
D	8 x 13mm	14	2												
E	8 x 11mm	44	2												
F	8 x 19mm	44	2												
G	5 x 80mm	2	N/A												
H	13 x 60mm	1	N/A												
I	4 x 60mm	1	N/A												
J	6 x 15mm	8	1												
K	6 x 11mm	8	1												
L	6 x 16mm	8	1												
M	8 x 55mm	3	1												

# NEXT

## BRAYDEN FLIP STORAGE BED H56226 H56228

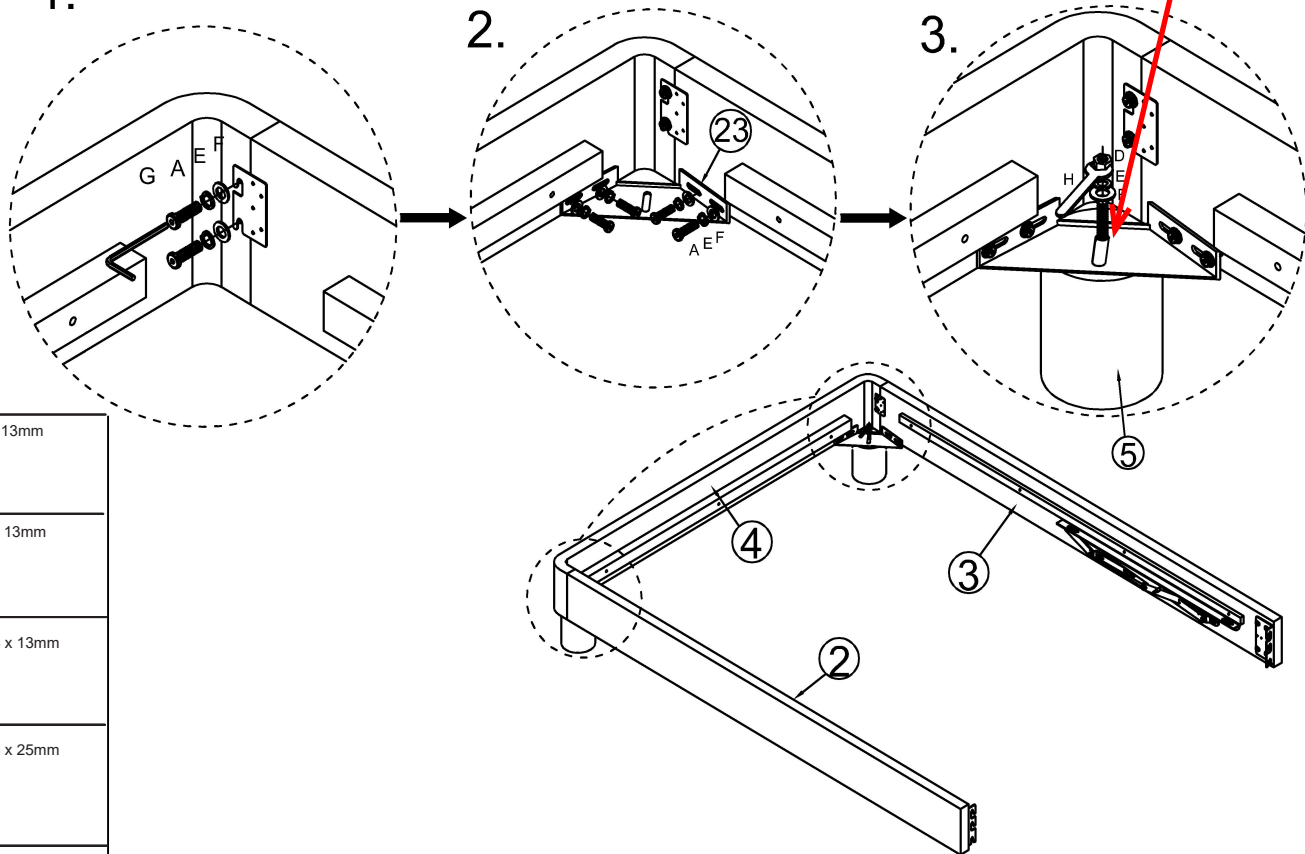
### Assembly instructions

(1)



1.

(2)

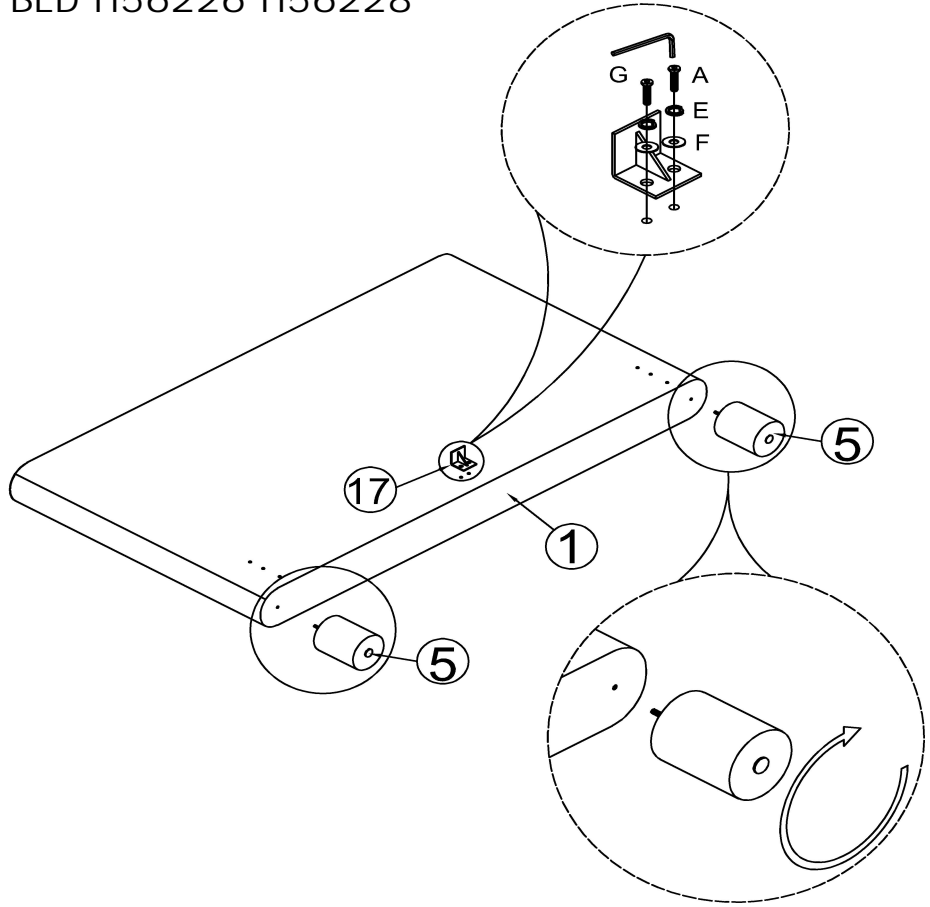






# NEXT

## BRAYDEN FLIP STORAGE BED H56226 H56228

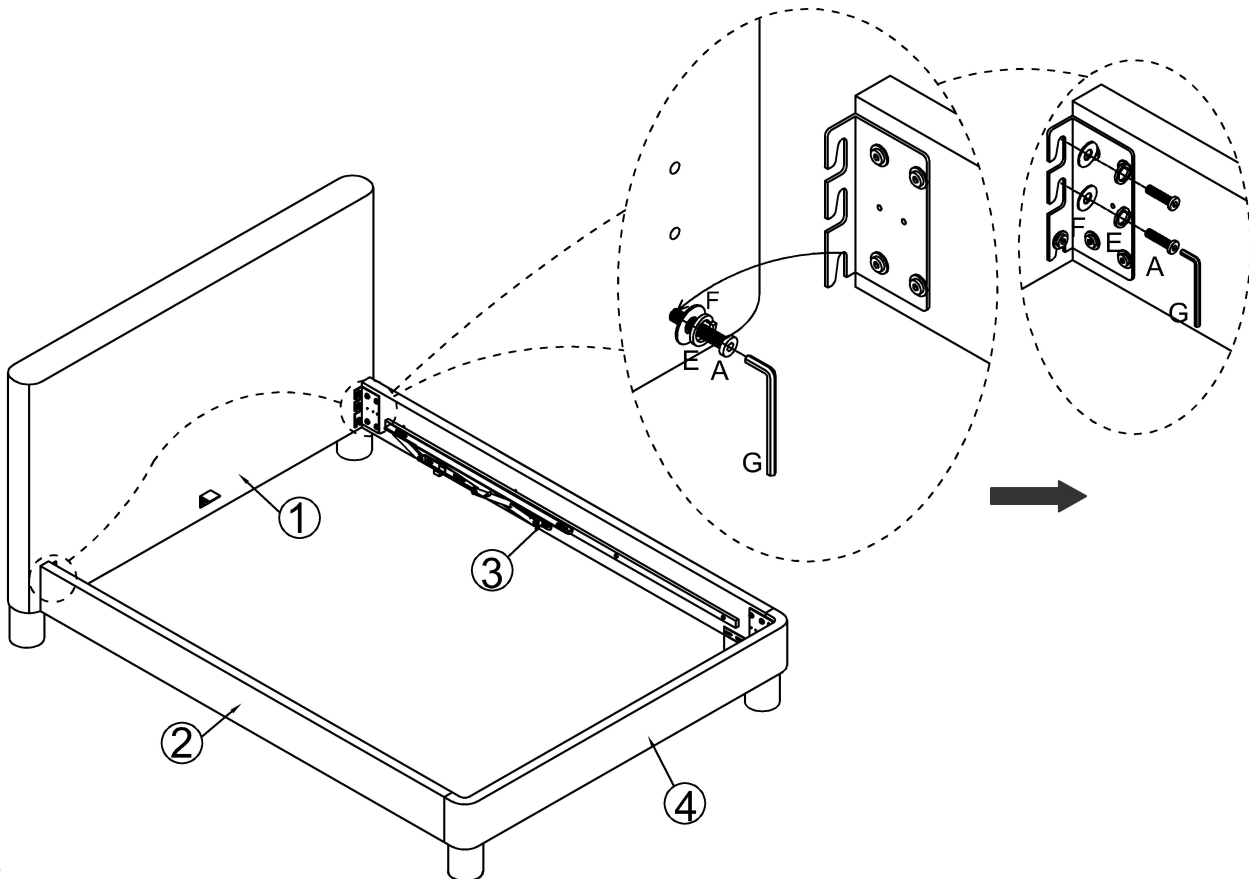
### Assembly instructions

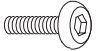



(3)



<b>A x 2</b>	8 x 25mm
	
<b>E x 2</b>	8 x 11mm
	
<b>F x 2</b>	8 x 19mm
	
<b>G x 1</b>	5 x 100mm
	

(4)



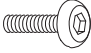



<b>A x 6</b>	8x25mm
	
<b>E x 6</b>	8x11mm
	
<b>F x 6</b>	8 x 19mm
	
<b>G x 1</b>	5 x 80mm
	

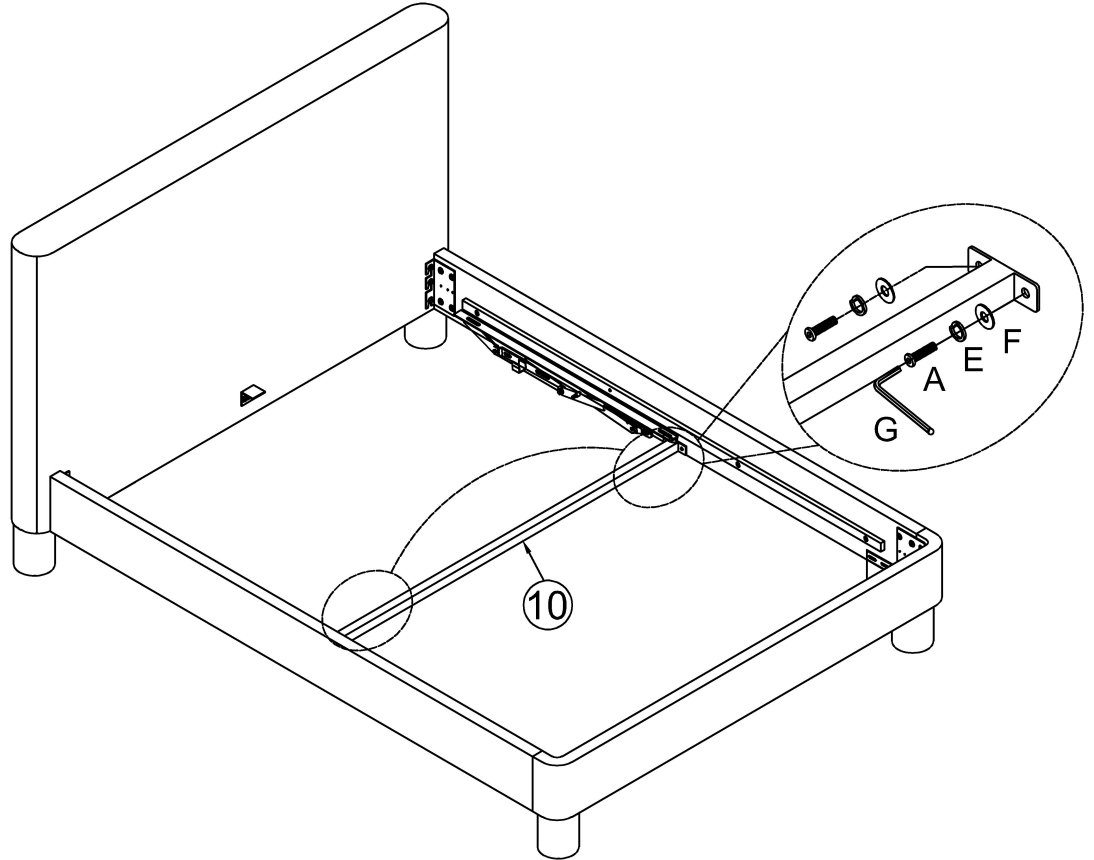
# NEXT

## BRAYDEN FLIP STORAGE BED H56226 H56228

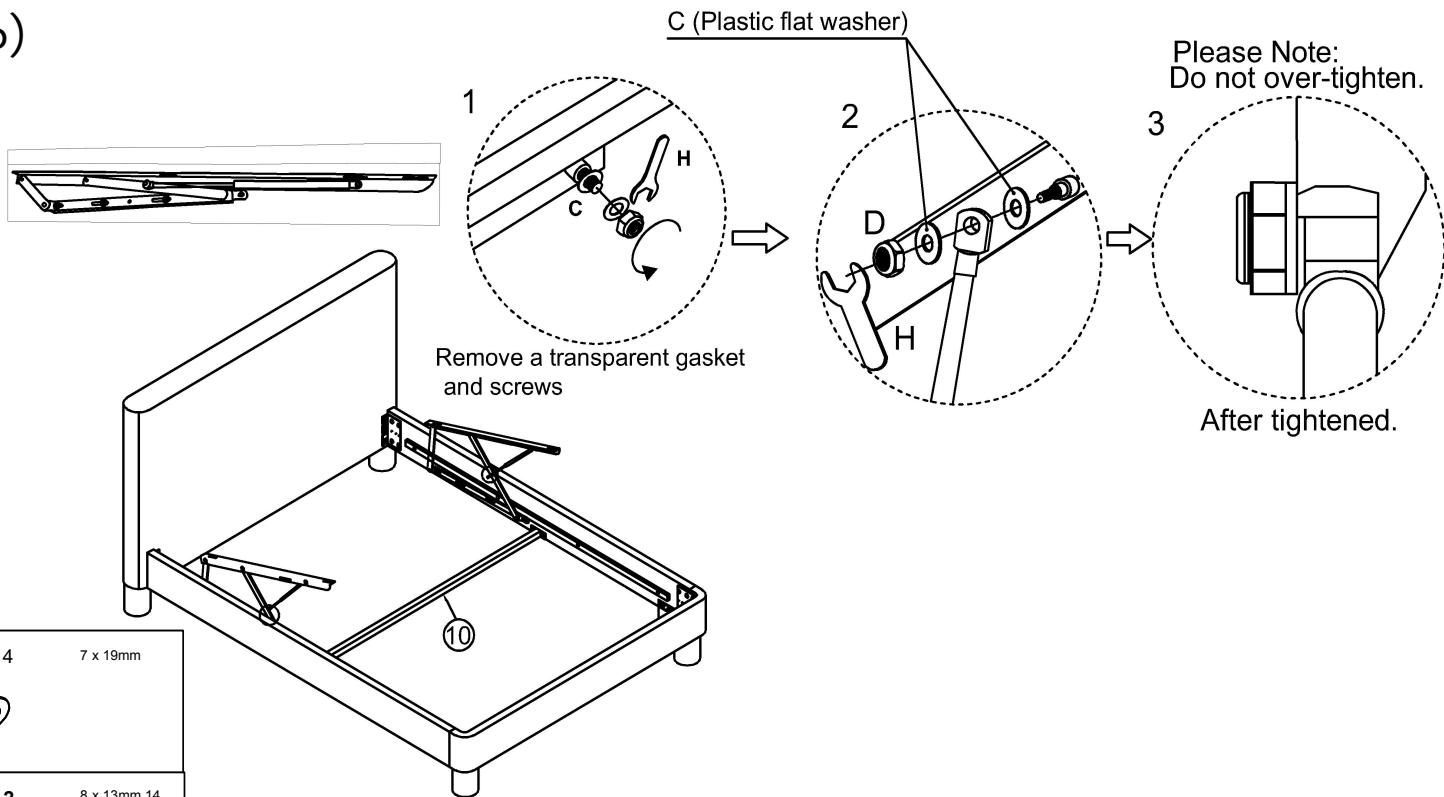
### Assembly instructions




(5)

<b>A x 4</b>	8 x 25mm
	
<b>E x 4</b>	8 x 11mm
	
<b>F x 4</b>	8 x 19mm
	
<b>G x 1</b>	5 x 80mm
	



(6)



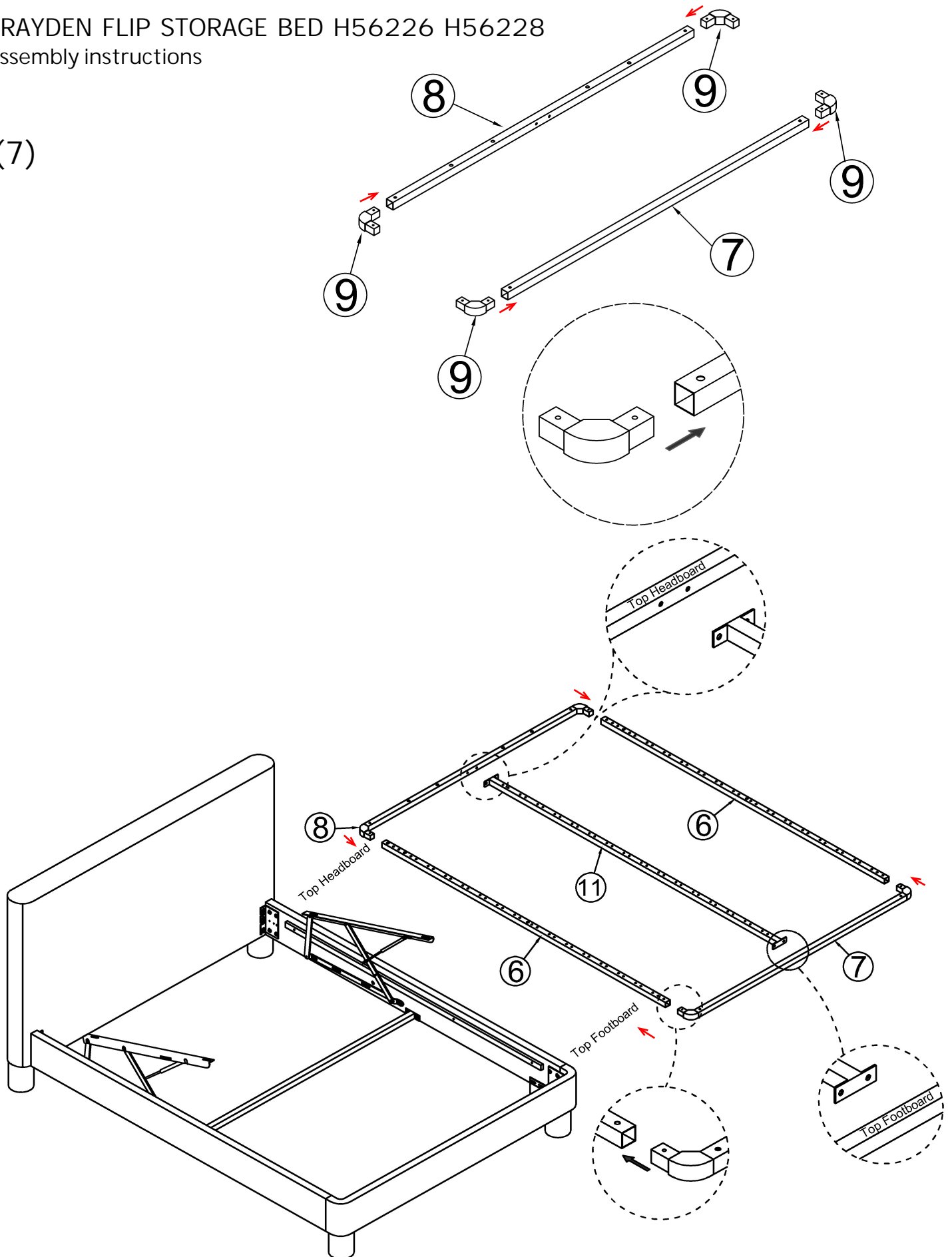
<b>C x 4</b>	7 x 19mm
	
<b>D x 2</b>	8 x 13mm 14
	
<b>H x 1</b>	x 60mm
	

# NEXT

## BRAYDEN FLIP STORAGE BED H56226 H56228

### Assembly instructions

(7)

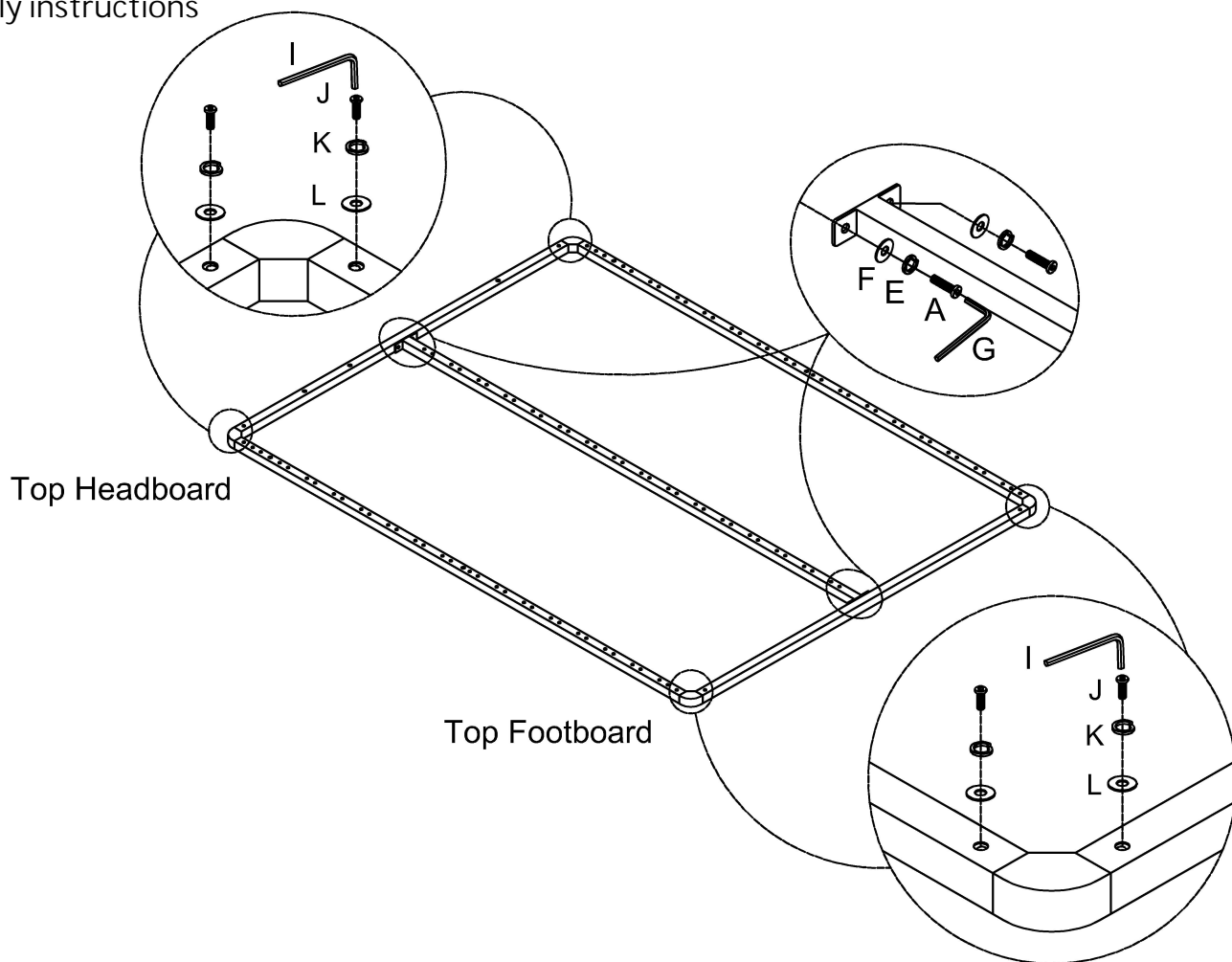


# NEXT

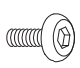

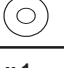



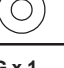

BRAYDEN FLIP STORAGE BED H56226 H56228

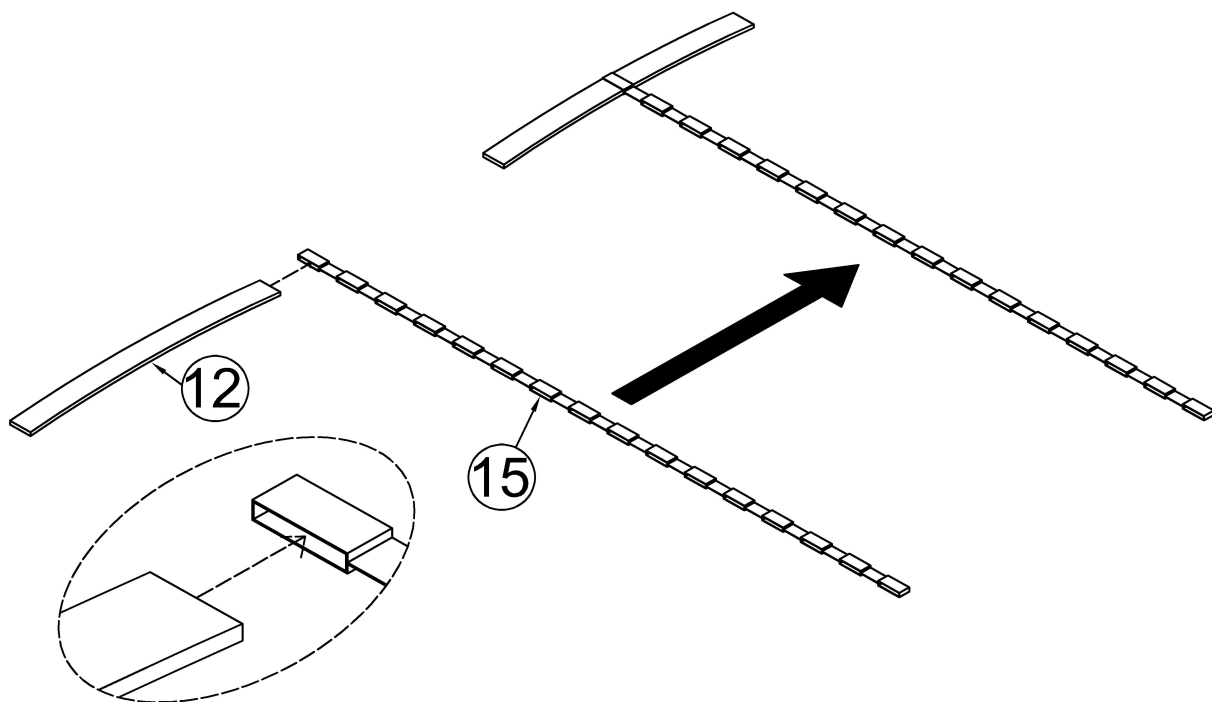
Assembly instructions

(8)



(9)

J x 8	6X15 mm
	
K x 8	6X11 mm
	
L x 8	6X16 mm
	
I x 1	4X60 mm
	
A x 4	8 x 25 mm
	
E x 4	8 x 11 mm
	
F x 4	8 x 19 mm
	
G x 1	5 x 80 mm
	

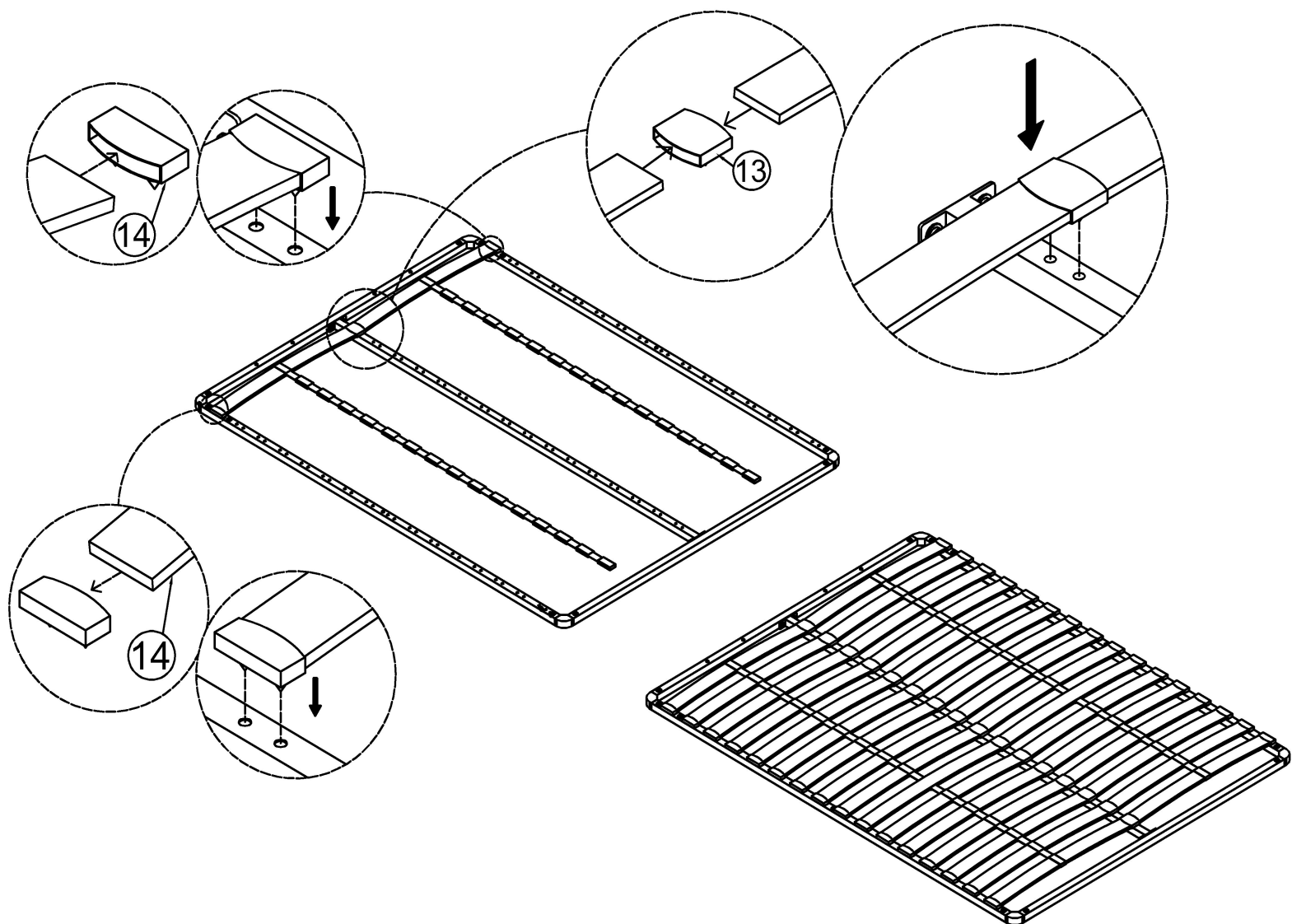


# NEXT

BRAYDEN FLIP STORAGE BED H56226 H56228

Assembly instructions

(10)

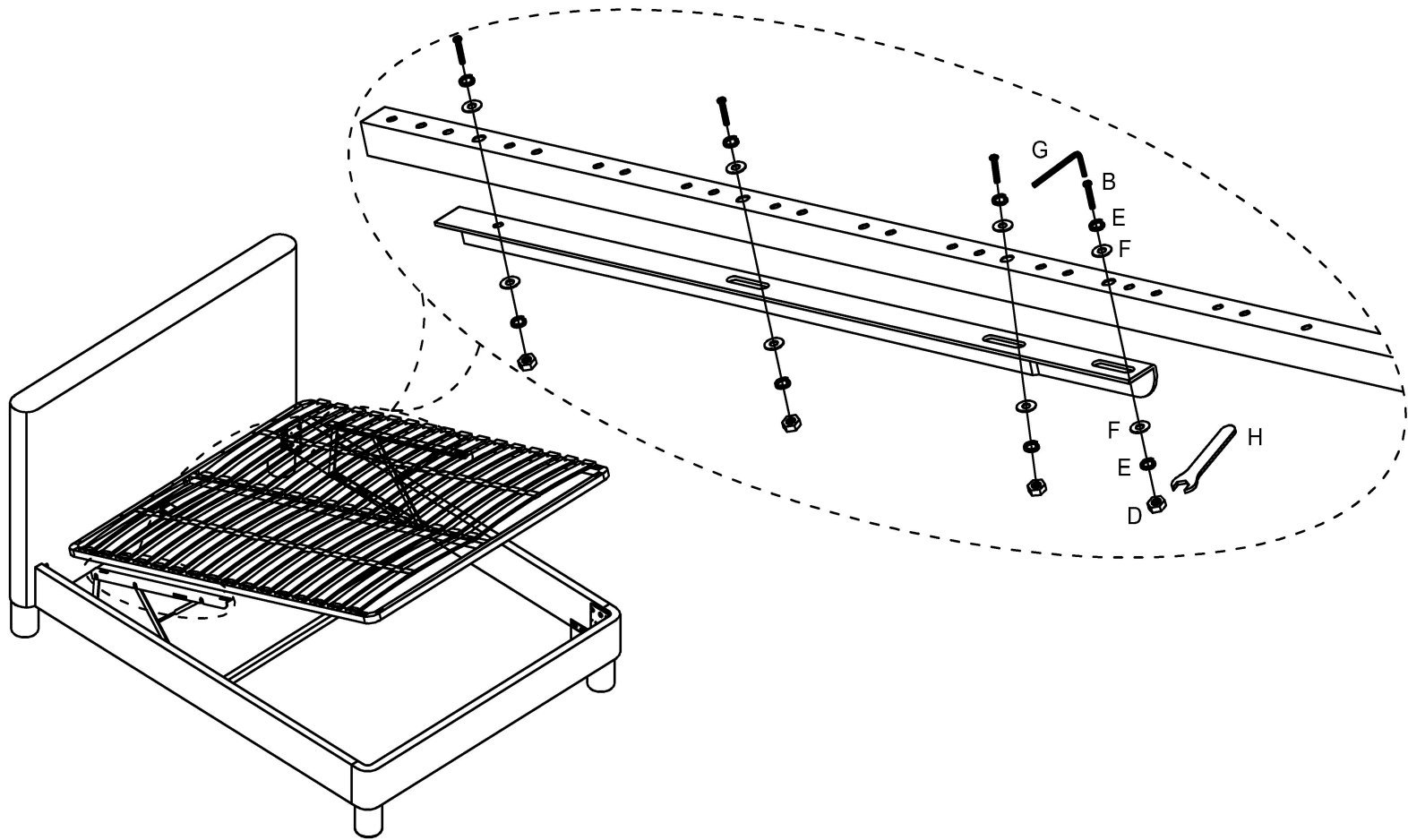





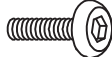


# NEXT

## BRAYDEN FLIP STORAGE BED H56226 H56228

### Assembly instructions

(11)



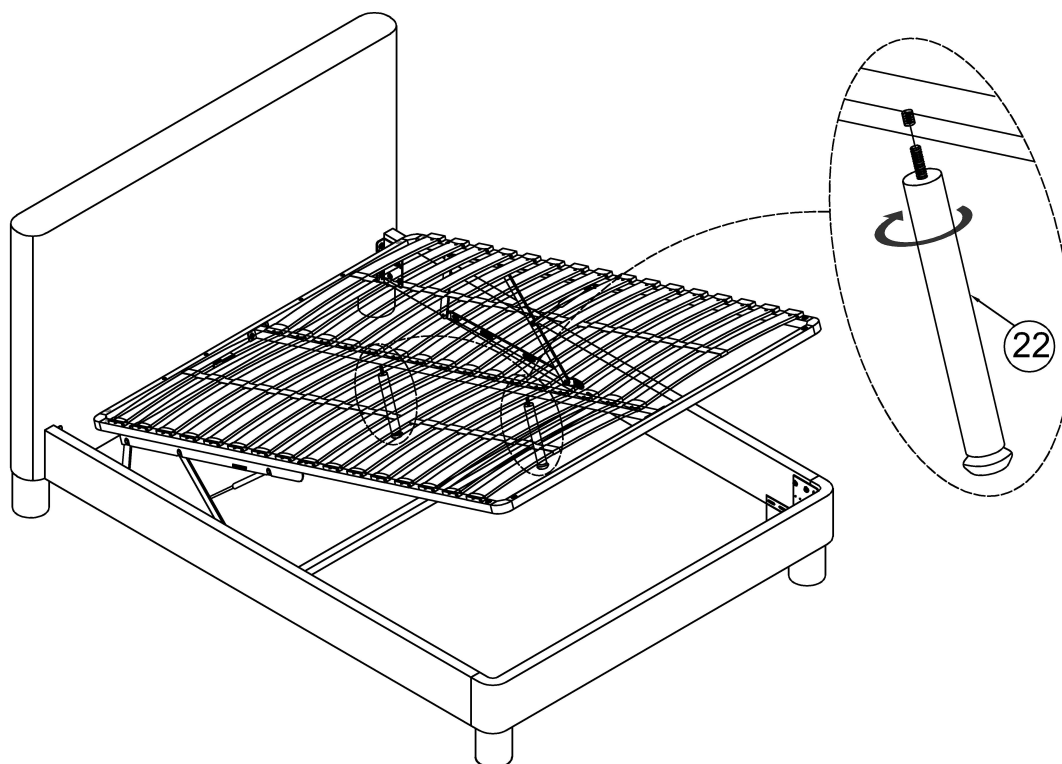
<b>E x 8</b>	8 x 13mm
	
<b>F x 8</b>	8 x 13mm
	
<b>D x 8</b>	8 x 13mm
	
<b>B x 8</b>	8 x 50mm
	
<b>H x 1</b>	13 x 60mm
	
<b>G x 1</b>	5 x 80mm
	

# NEXT

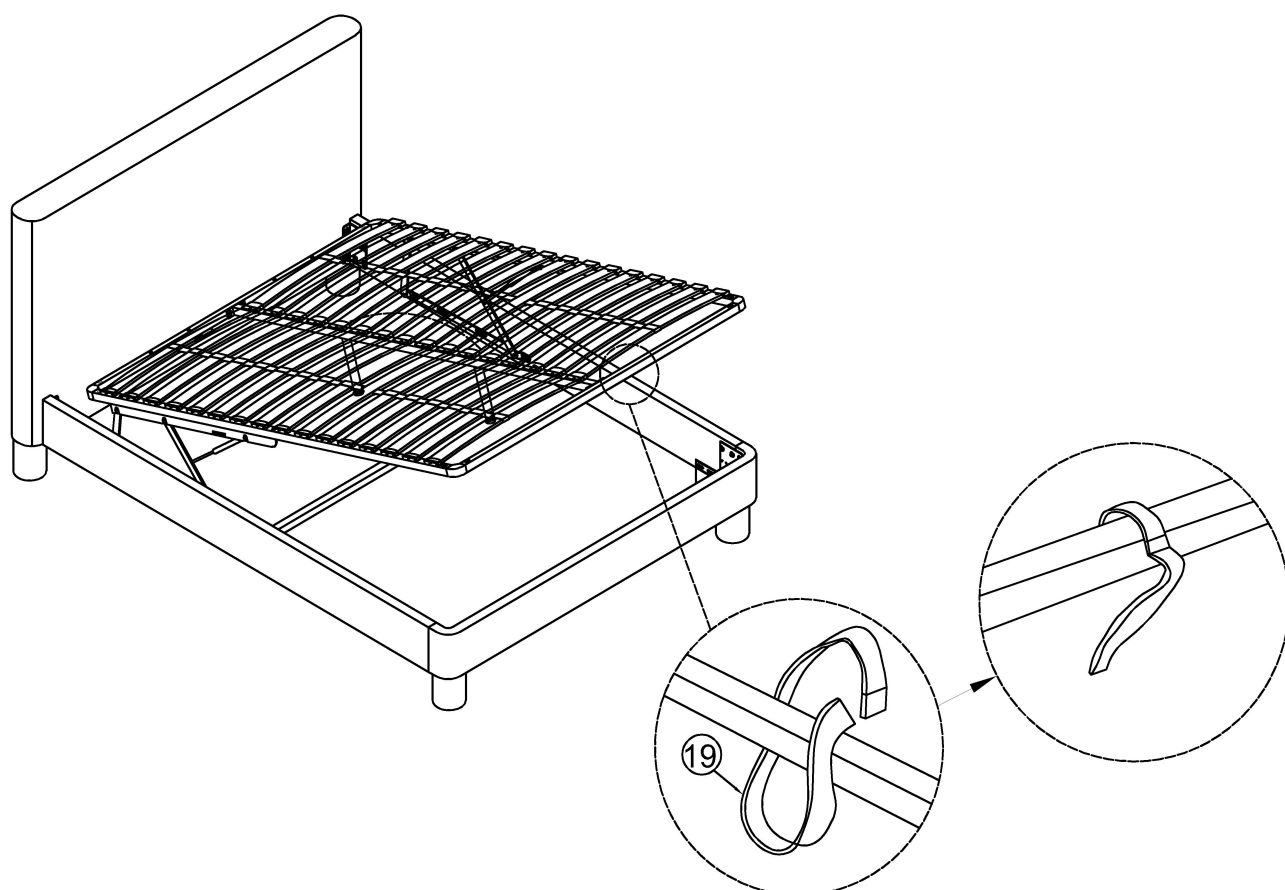
BRAYDEN FLIP STORAGE BED H56226 H56228

Assembly instructions

(12)



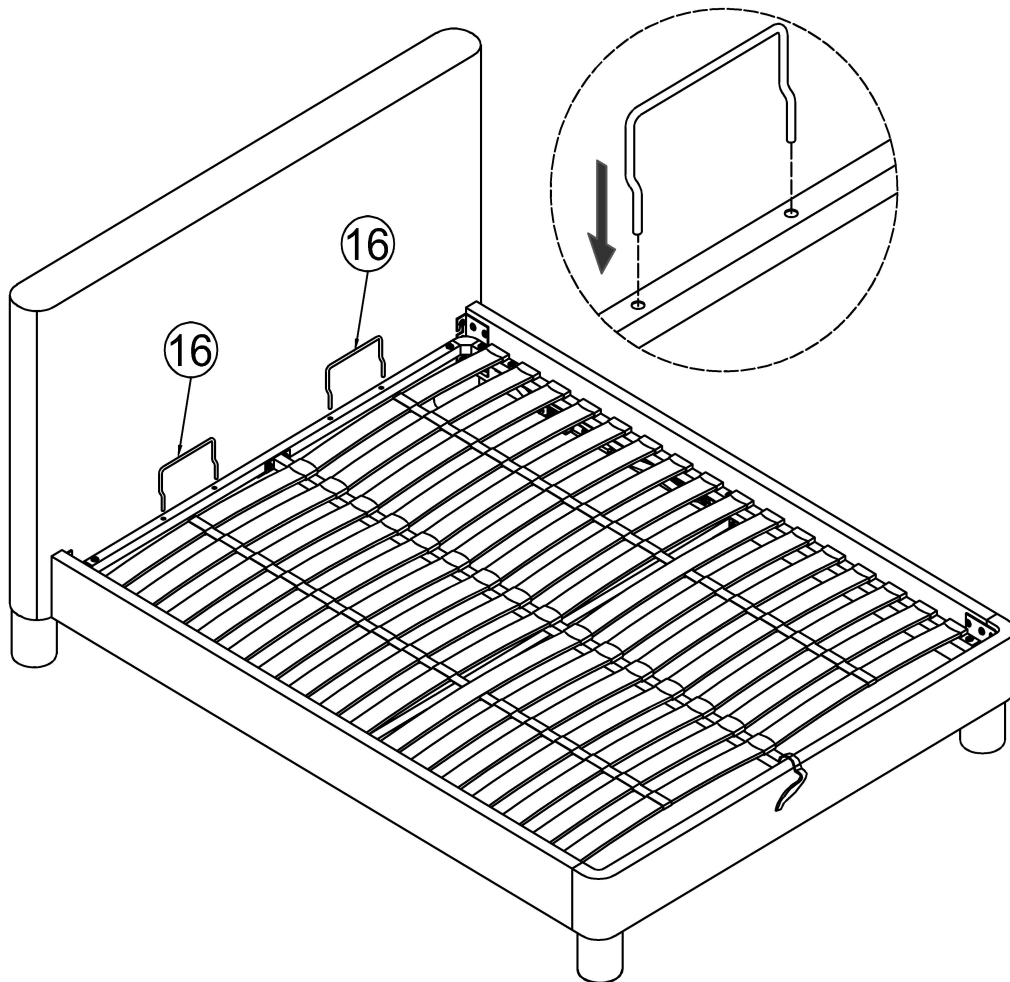
(13)



# NEXT

BRAYDEN FLIP STORAGE BED H56226 H56228  
Assembly instructions

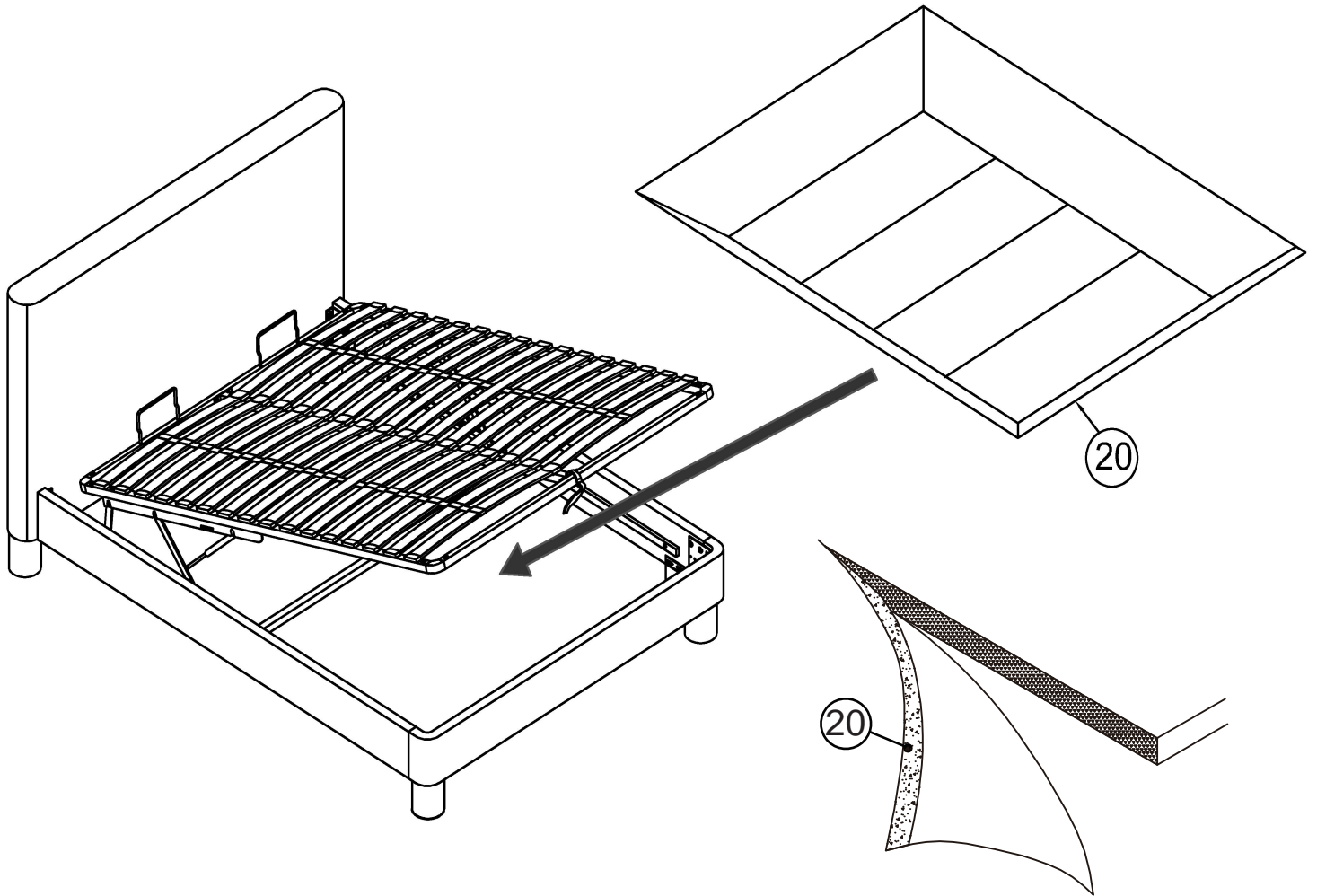
(14)



# NEXT

BRAYDEN FLIP STORAGE BED H56226 H56228  
Assembly instructions

(15)



# NEXT

## BRAYDEN FLIP STORAGE BED H56226 H56228

### Assembly instructions

#### Overall Dimensions (WxLxH cm)

Small Double: 141 x 209 x 110/37

Double: 156 x 209 x 110/37

King: 171 x 219 x 110/37

#### Internal Dimensions (WxL cm)

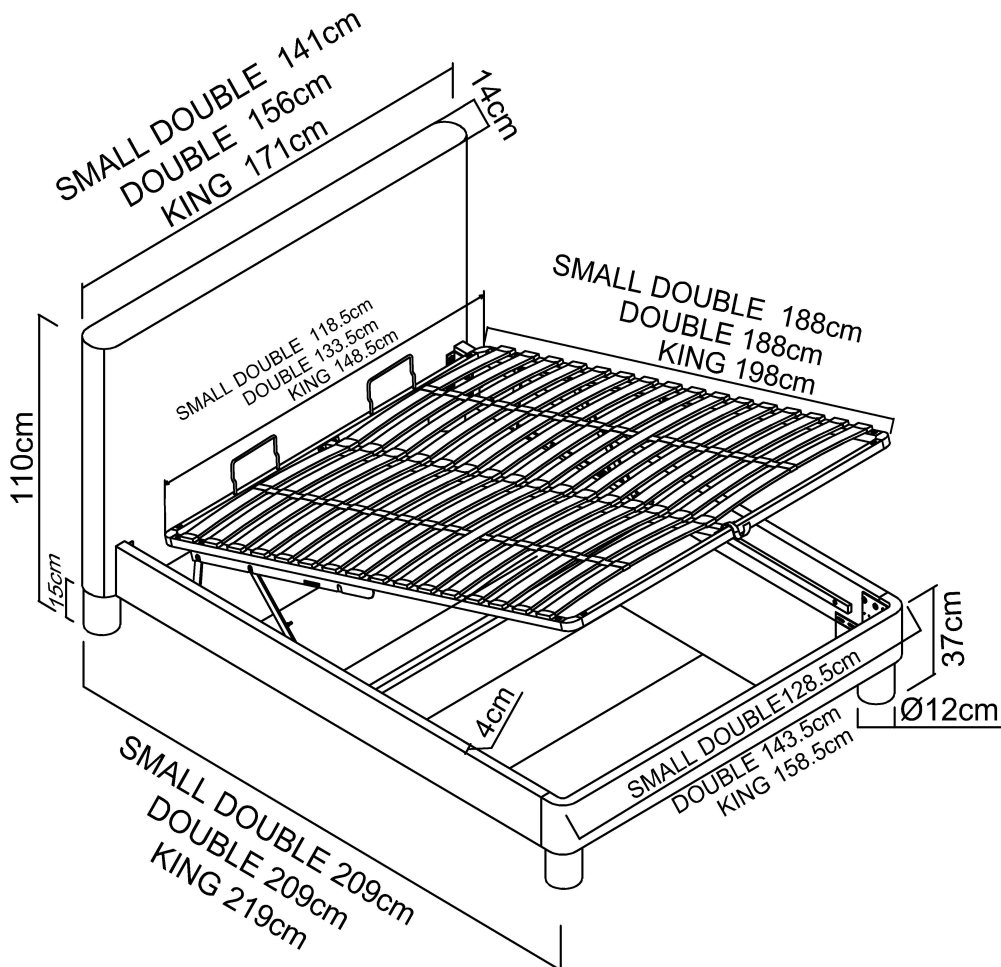
122 x 192

137 x 192

152 x 202

#### Delivery Box Size (HxWxD cm)

	Small Double	Double	King
Box1	17.5 x 145.5 x 100.5	17.5 x 160.5 x 100.5	17.5 x 175.5 x 100.5
Box2	18.5 x 195.5 x 26	18.5 x 195.5 x 26	18.5 x 205.5 x 26



# NEXT

## BRAYDEN FLIP STORAGE BED H56226 H56228

### Assembly instructions

### IMPORTANT OTTOMAN SAFETY WARNINGS

- IMPORTANT – READ CAREFULLY – RETAIN FOR FUTURE REFERENCE
- You must ensure that the mattress is on the bed frame before operating the lift mechanism – Failure to do so could result in injury.
- Keep hands clear of the mechanism when opening or closing the ottoman.
- Beware of entrapment – Never reach in through the mechanism to access the storage area.
- Always ensure that the ottoman is FULLY opened before accessing the storage area.
- Do not reach into the storage area through the hinge mechanism.
- Do not exceed the maximum weight as specified in the table below:



Bed Size	Min Weight (kg)	Max Weight (kg)
Small Double	20	50
Double	20	60
King	25	70
Super King	30	85

- Use caution when operating, always use the handle when lifting
- Note: This bed uses a pressurised mechanism.
- To be operated by adults only
- Please ensure that children and pets are kept away from the bed when operating the lift mechanism.
- Keep children and pets away from the storage area.
- No children or animals are left unattended when the frame is in the 'up' position.
- Do not overload the internal storage base.
- Do not stand inside the internal storage area of the bed
- Before removing the mattress secure the frame to ensure it does not open unexpectedly.
- Do not attempt to lie on the mattress when the ottoman is in the raised position.
- When lifting the ottoman remove all bedding except the fitted sheet.
- Depending on the weight of the mattress, the rising speed will vary so be careful until you get used to the speed.
- NOTE: When fully assembled and the mattress is in position, please raise and lower the ottoman 4 / 5 times to ensure the gas pistons are fully lubricated.