

# BEFORE YOU GET STARTED...

*We're confident you'll love your gorgeous new Next furniture. However, it's worth making absolutely certain before you put it all together.*

*So, let's quickly run through these three steps:*

## 1. COLOUR

Make sure you're happy with the colour  
No need to unpack everything, just check the first component.

## 2. PROTECTIVE PACKAGING

If you're happy, then it's time to get opening! Start by laying everything out on the protective packaging – this will prevent anything getting scratched.

## 3. PARTS PAGE

Finally, double check you have all the pieces by referencing the parts page of the instructions.

## TIPS FOR RETURNS

Not completely happy with the product? No problem. We just need everything back in the original packaging, so follow the steps below and this will ensure a super-smooth returns process and no delay to your refund.

DO



- Check everything is there (the 'parts page' is a handy checklist).
- Pop all the loose fittings and fixtures into the packaging provided or tie them up in a plastic bag.
- Wrap all the big components back up in the original protective packaging.
- Close up the box and seal it securely (don't be afraid to use plenty of tape).

DON'T



- Leave anything assembled - all components should be dismantled and separately packed.
- Put loose fixtures and fittings straight into the box.
- Throw it back in the box carelessly – as it may get damaged.

**NEXT  
HOME**

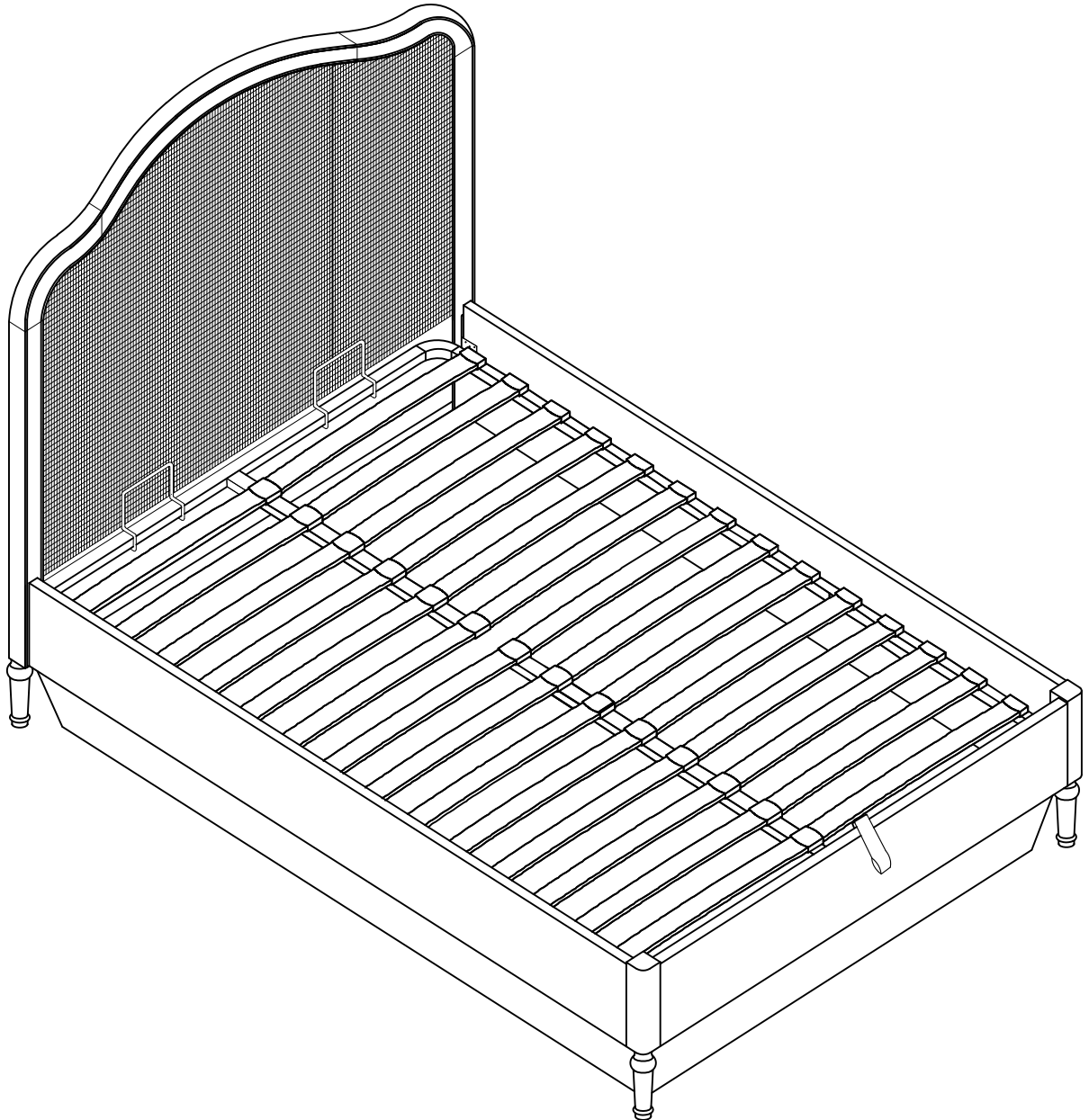
Then just give us a call on 0333 777 8999 and we'll sort out a pick up time for you.

### Assembly instructions

#### Actual product size

Double W144.5cm X L200cm X H120.5cm

King W159.5cm X L210cm X H120.5cm



Item number	Fabric name	Fabric composition
H71786	N/A	N/A

### Need Help?

With: Assembly Instructions  
Missing or damaged parts  
CALL: 0333 777 8999

**IMPORTANT - RETAIN FOR FUTURE REFERENCE**

### Assembly instructions

## BEFORE YOU START

### Warnings

We suggest you retain these instructions for future reference.

Keep fittings out of children's reach and keep children well away from construction area.

This product should only be used on firm level ground.

Please periodically check all fittings and re-tighten as necessary.

Please do not stand on your bed.

Avoid exposing the furniture to excessive heat or direct sunlight as this can cause damage to the materials and deterioration of the colour.

### Do's

We suggest you spend a short time reading through this leaflet before you start.

When you are ready to start, make sure that you have the right tools, plenty of space.

Due to the size of this product we recommend that it is assembled in the room intended for use.

Unwrap all packaging materials and place the components on a clean surface to protect them from damage.

We recommend that the packaging is used to protect the surfaces during assembly.

Carefully check that you have all the parts before beginning assembly.

Ensure the product is fully assembled as illustrated and all fixings are fully tightened before use. Check fixings regularly to ensure they remain tight.

When moving the assembled bed, remove mattress, and lift the bed. Do not drag the bed, as this can cause structural damage. Please check that the centre support rail is securely fixed in place.

When adjusting the support legs ensure that the foot is set 5mm from the floor surface without the mattress in place. When in use the legs will create the required support for the product.

Never allow any kind of liquid to remain on your furniture. Absorption can cause materials to warp or finishes to de-laminate.

To clean your item, please use a vacuum or lightly brush clean. Never allow any kind of liquid to remain on your furniture. Absorption can cause finishes to de-laminate.

### Don'ts

Do not tighten screws until fully assembled.

Do not over tighten screws or bolts.

Do not drag or pull your furniture.

Do not use this product if parts are missing, damaged or worn.

Never use scourers, abrasives or chemical cleaners.

Number of people required to assemble

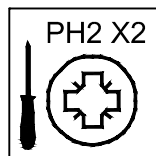
Two people are required to assemble this item



Time to assemble :1.5 hours



### Tools required



not supplied

### Missing parts

If you are missing any fixtures and fittings for your product please contact our customer service team on 0333 777 8999 and they will be happy to arrange for a replacement to be sent to you free of charge.

### Home service technicians

If you have a fault with your product please contact our customer service team on 0333 777 8999. If you have had the product for 28 days or less you may be offered a replacement, refund or for a fully trained home service technician to visit your home to assess the fault and repair the product where possible.

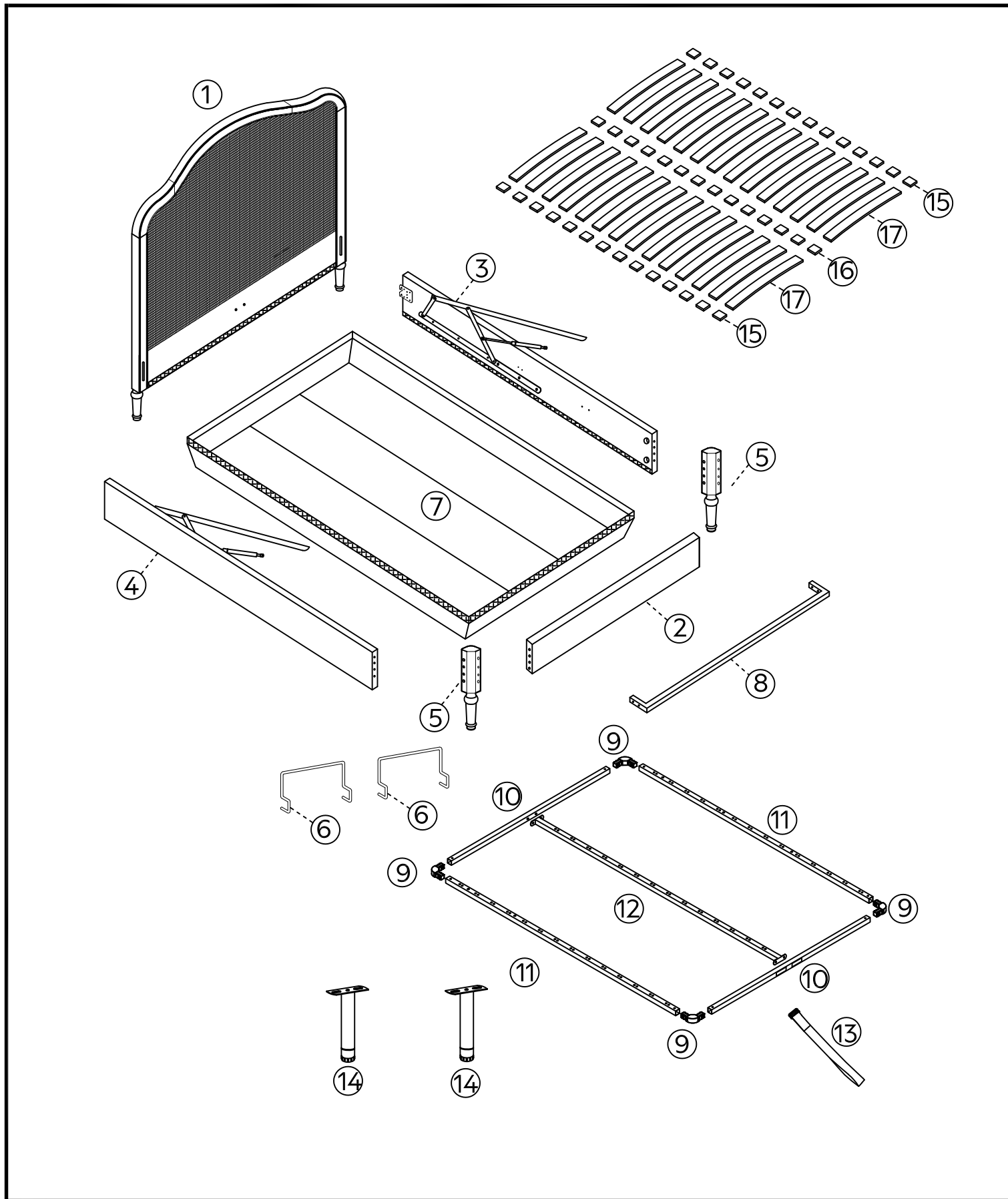
If you have had the product for more than 28 days we will send an independent home service technician to review and repair the product where possible and recommend further action.

### You can write to us at

Home Customer Services  
Next Retail Ltd,  
Desford Road,  
Leicester,  
LE19 4AT,



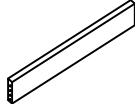

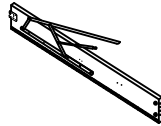

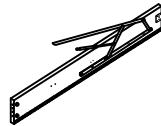
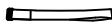

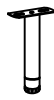
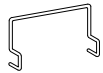

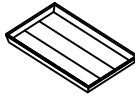

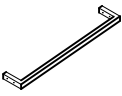


To view our full furniture range please visit [www.next.co.uk](http://www.next.co.uk)

### Assembly instructions



### Assembly instructions

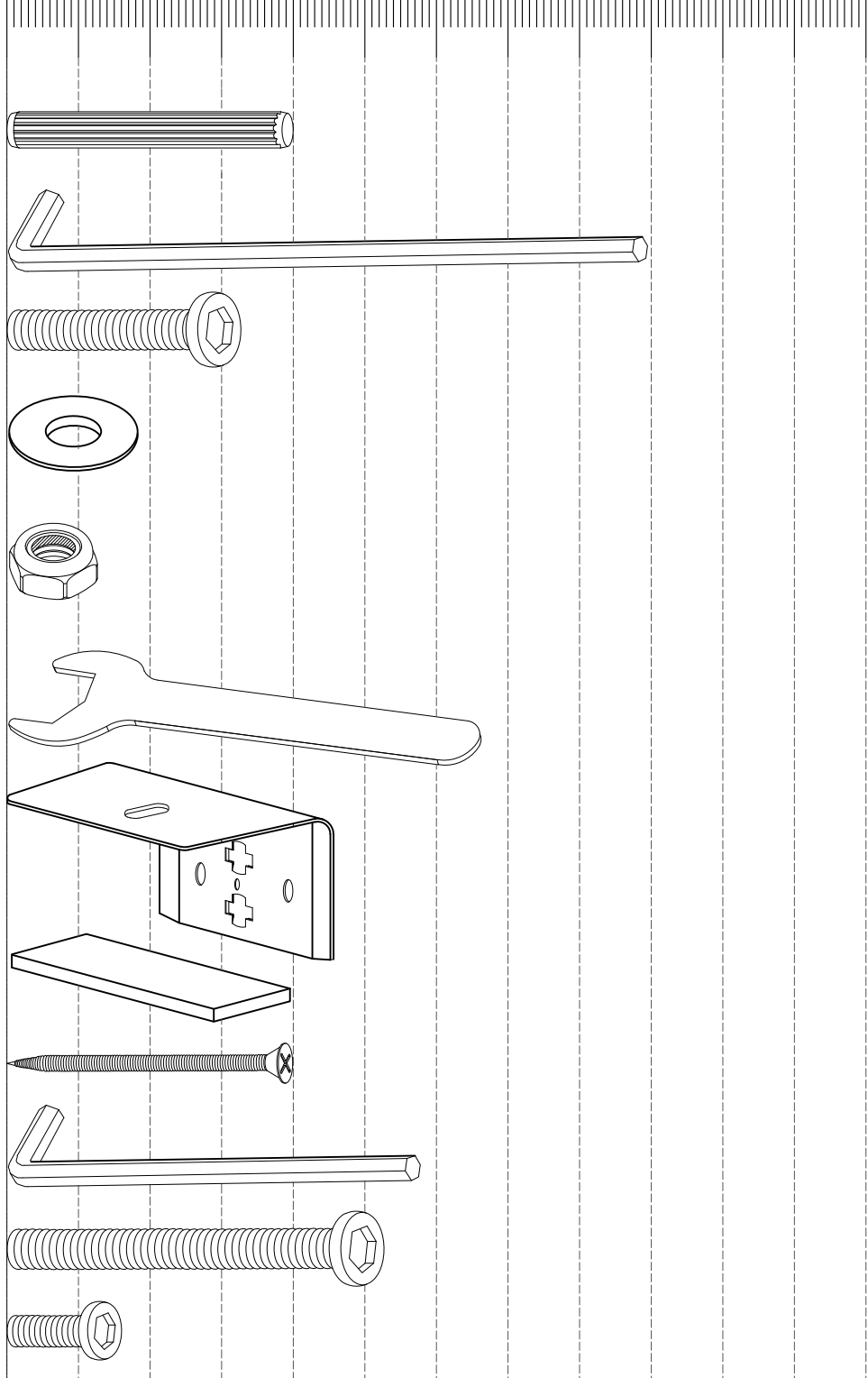
**Components supplied. Please use this guide if you require replacement parts.**

Ref	Dimensions	Visual	Qty	Ctn	Ref	Dimensions	Visual	Qty	Ctn
1	Headboard Double 144.5x120.5cm King 159.5x120.5cm		1	1	10	Tube slat frame Double 124x3cm King 139x3cm		2	3
2	Footboard Double 131x19.5cm King 146x19.5cm		1	2	11	Tube slat frame Double 179.5x3cm King 189.5x3cm		2	3
3	Right Side Rail Double 189.5x19.5cm King 199.5x19.5cm		1	2	12	Tube slat frame Double 183.5x9.5x3cm King 193.5x9.5x3cm		1	3
4	Left Side Rail Double 189.5x19.5cm King 199.5x19.5cm		1	2	13	Belt (34.5x3.7cm)		1	1
5	Feet (5.7x5.7x35cm)		2	1	14	Metal Support legs (Ø3.8x25.5cm)		2	1
6	Mattress holder (20.6x12.2x3.6cm)		2	1	15	End Plastic Cap (Small)		28	1
7	Baseboards Double 204x150cm King 214x165cm		1	2	16	Centre Plastic Cap (Big)		14	1
8	Centre Supporter Double 137.3x2x11.5cm King 152.3x2x11.5cm		1	2	17	Slats Double 66.5x6x1cm King 74x6x1cm		28	3
9	Connect for slat frame (9.6x9.6x2.95cm)		4	1					

### Assembly instructions

10 20 30 40 50 60 70 80 90 100 110 120

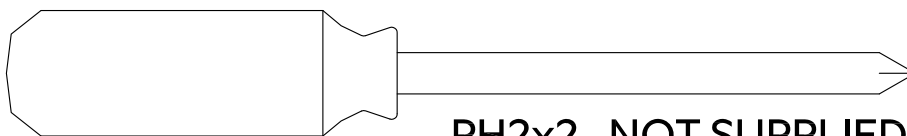
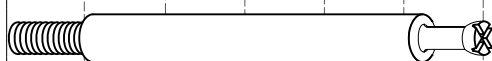
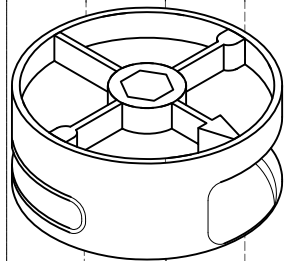
Ref	Dimensions	Qty
WMS05	M8x40mm	8
WBS12	M5x90mm	2
WLG108	M8x25mm	20
WDP22	M8x19mm	24
WLM30	M8	8
WBS13	Ø13	2
WJM74	70x43x46mm	6
WBZB12	40x20x3mm	9
WLS49	M5x40mm	4
WBS15	M4x57mm	2
WLG119	M8x45mm	8
WLG79	M6x10mm	8



### Assembly instructions

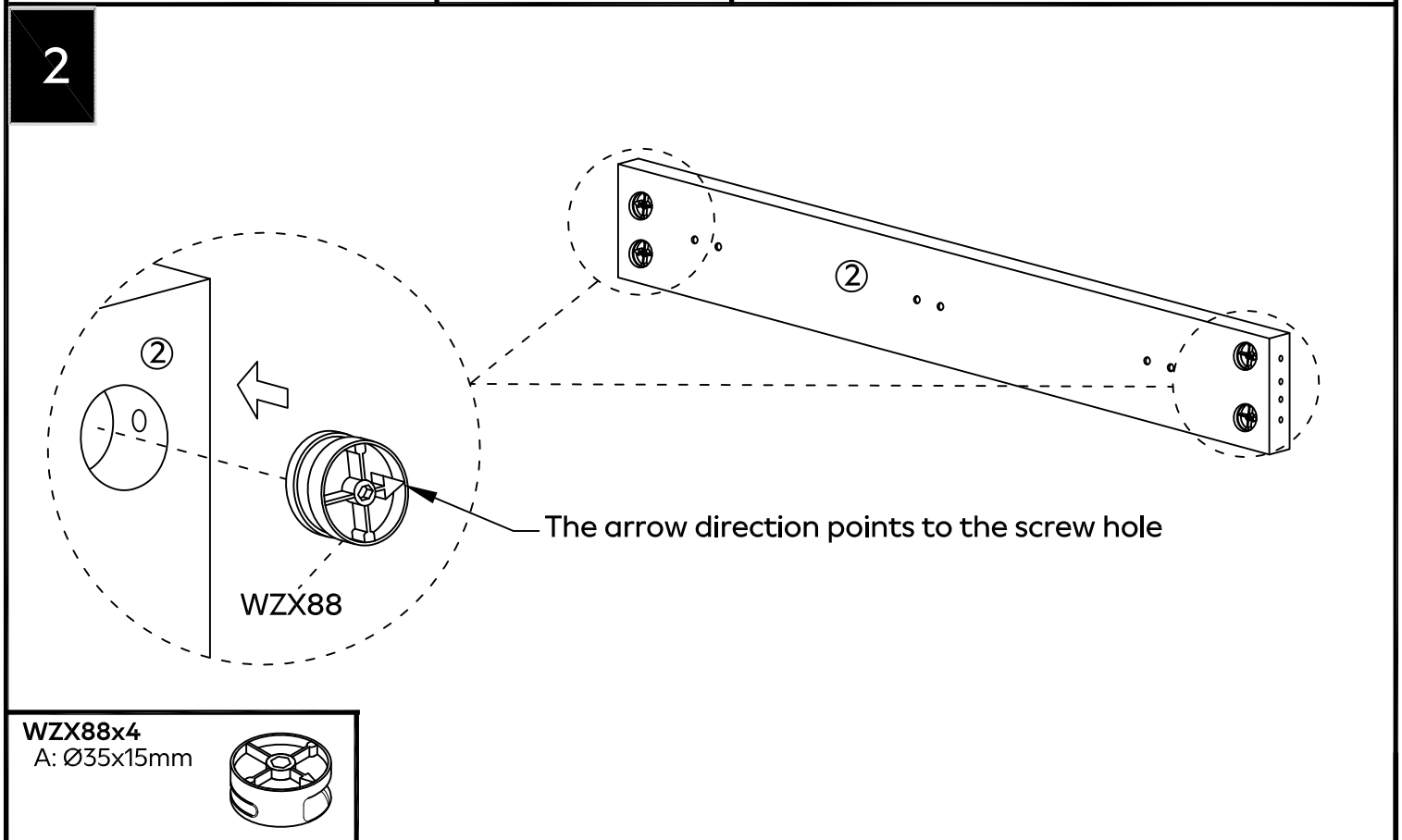
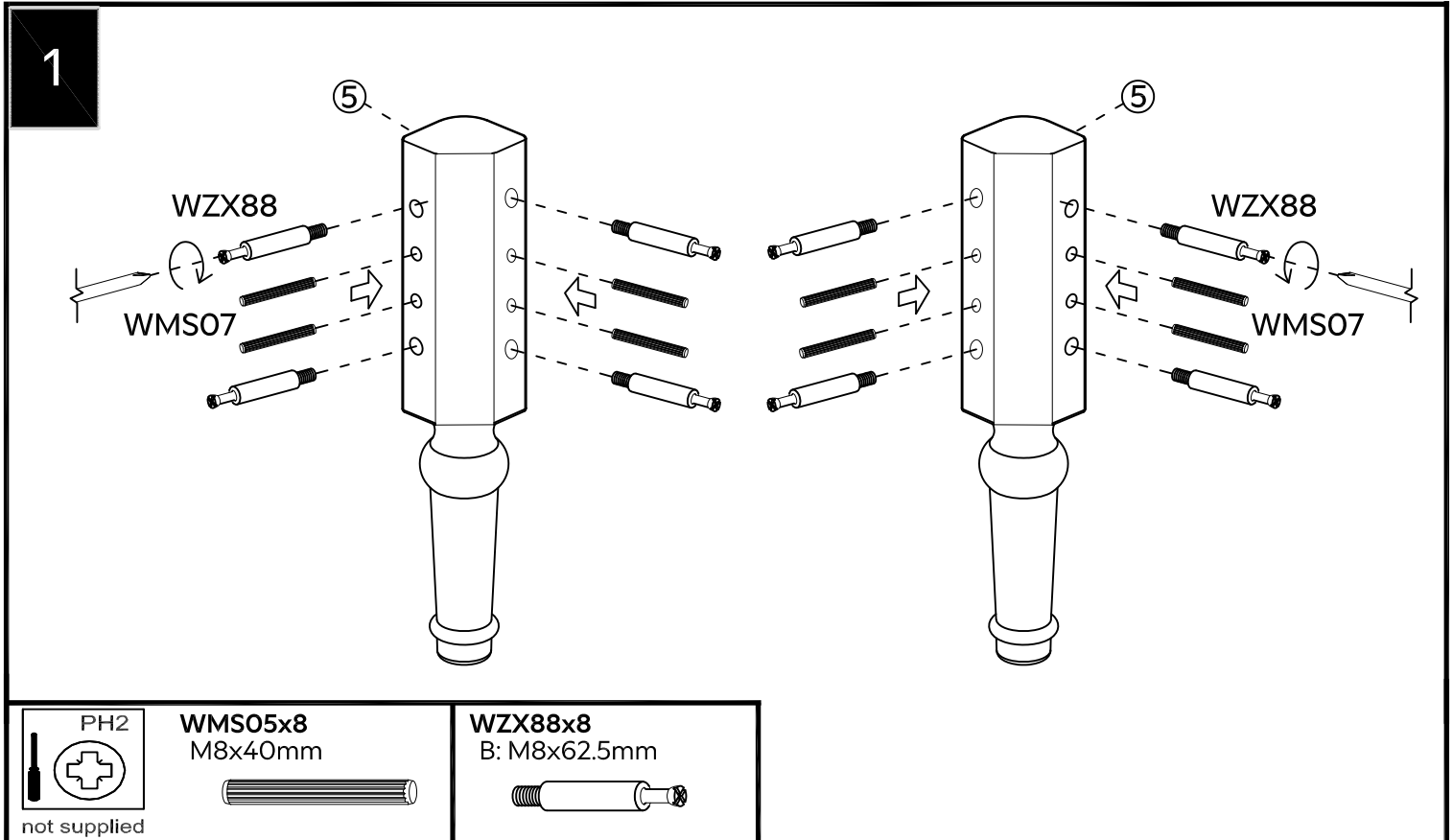
10 20 30 40 50 60 70 80 90 100 110 120

Ref	Dimensions	Qty
WZX88	A: Ø35x15mm	8
WZX88	B: M8x62.5mm	8
WBS14	M6x80mm	2



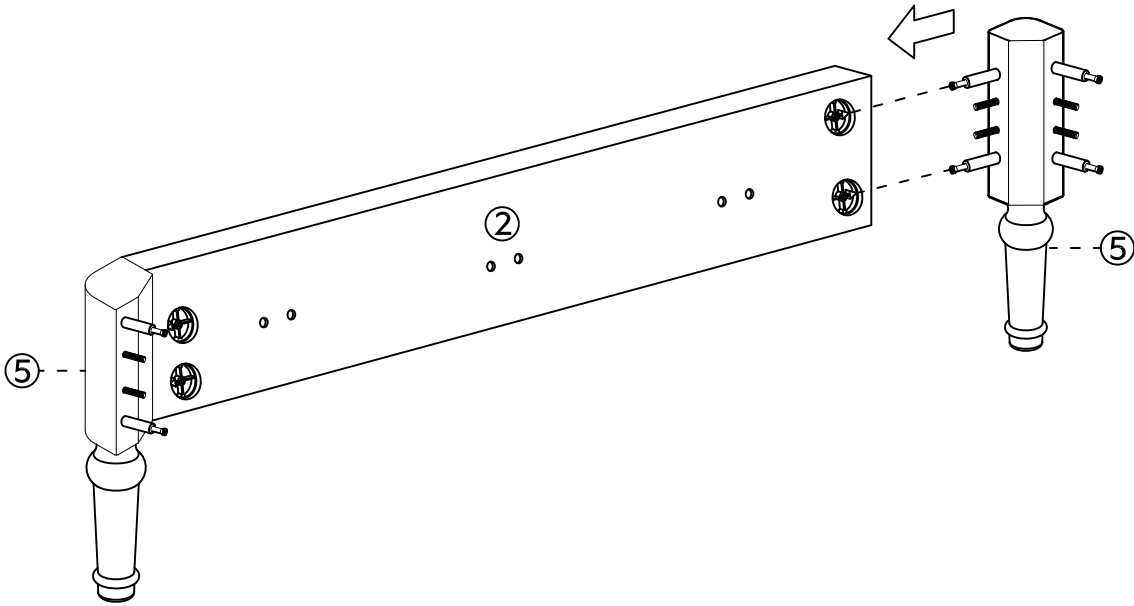
**PH2x2 NOT SUPPLIED**

### Assembly instructions

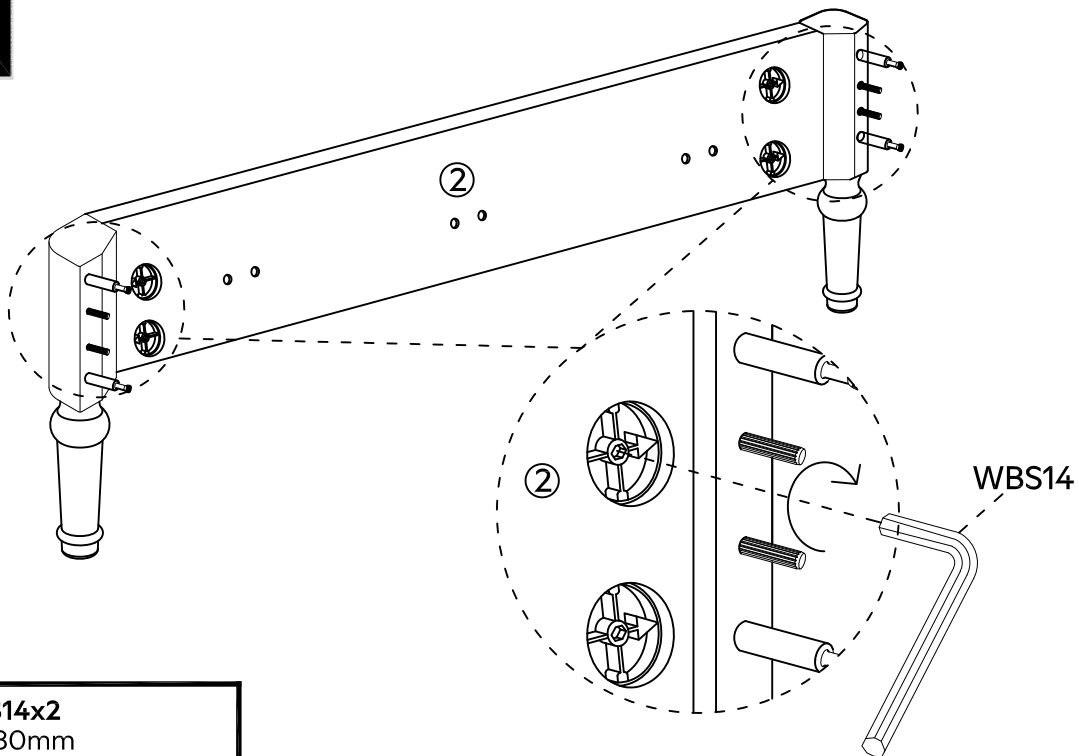


### Assembly instructions

3



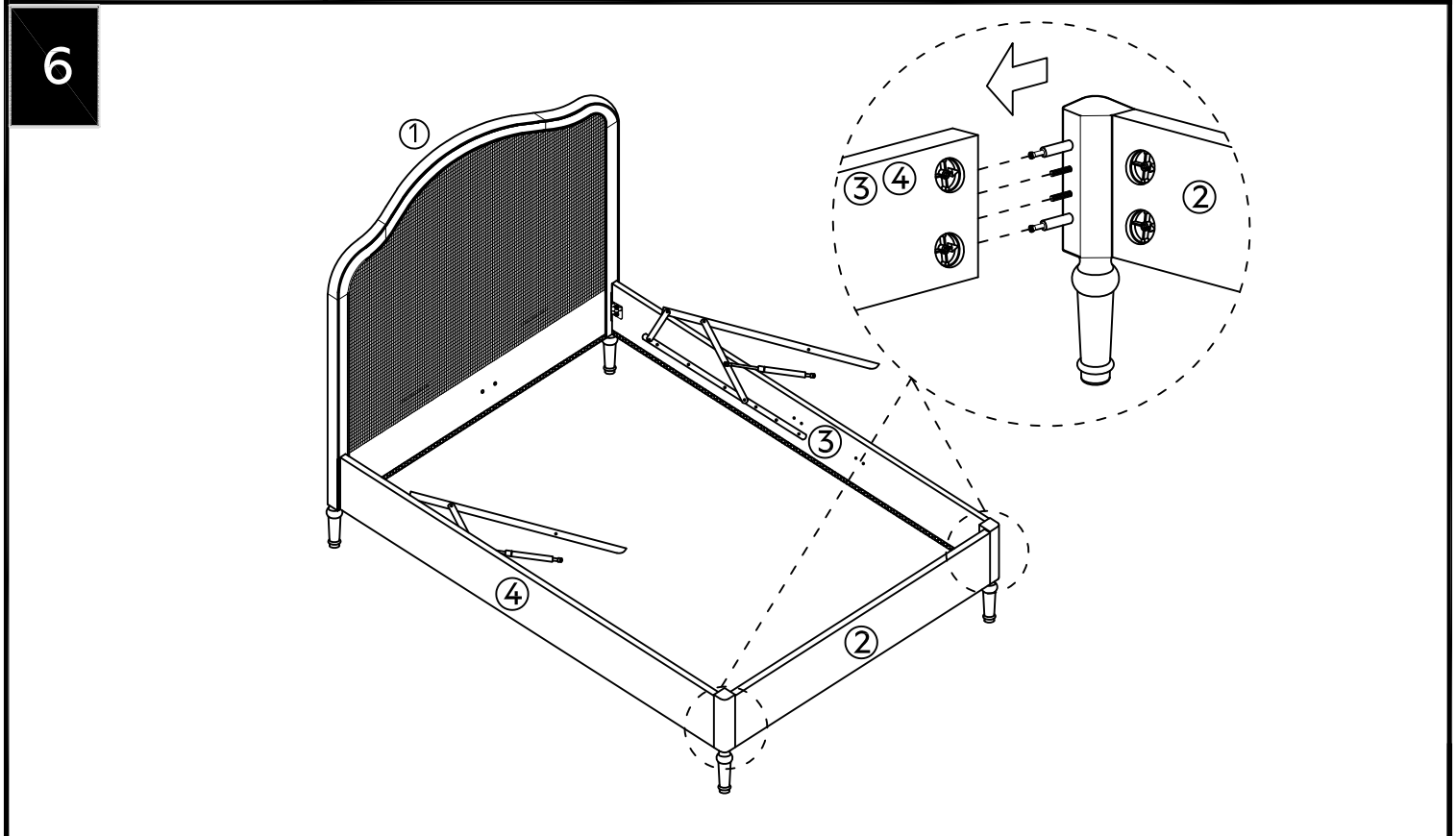
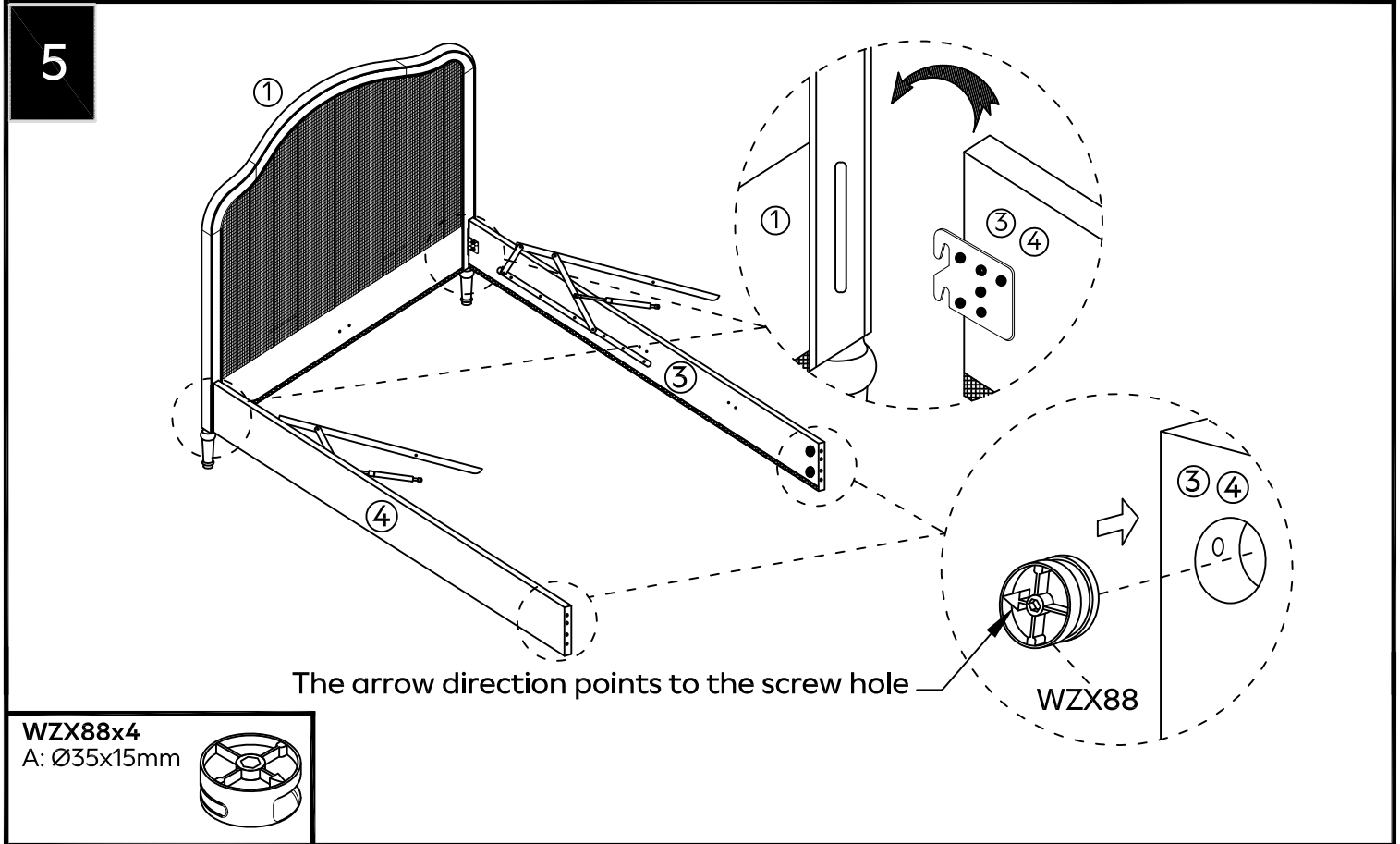
4



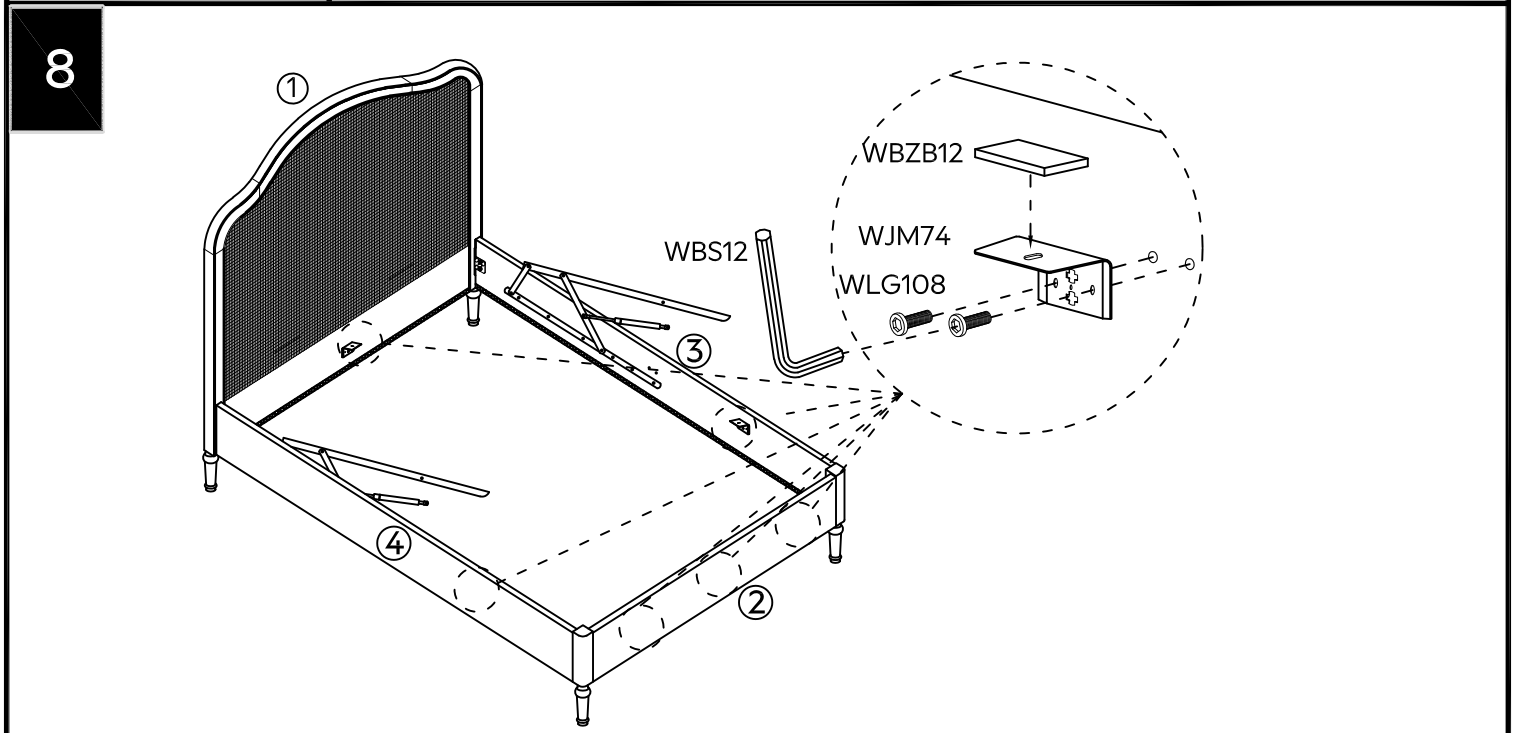
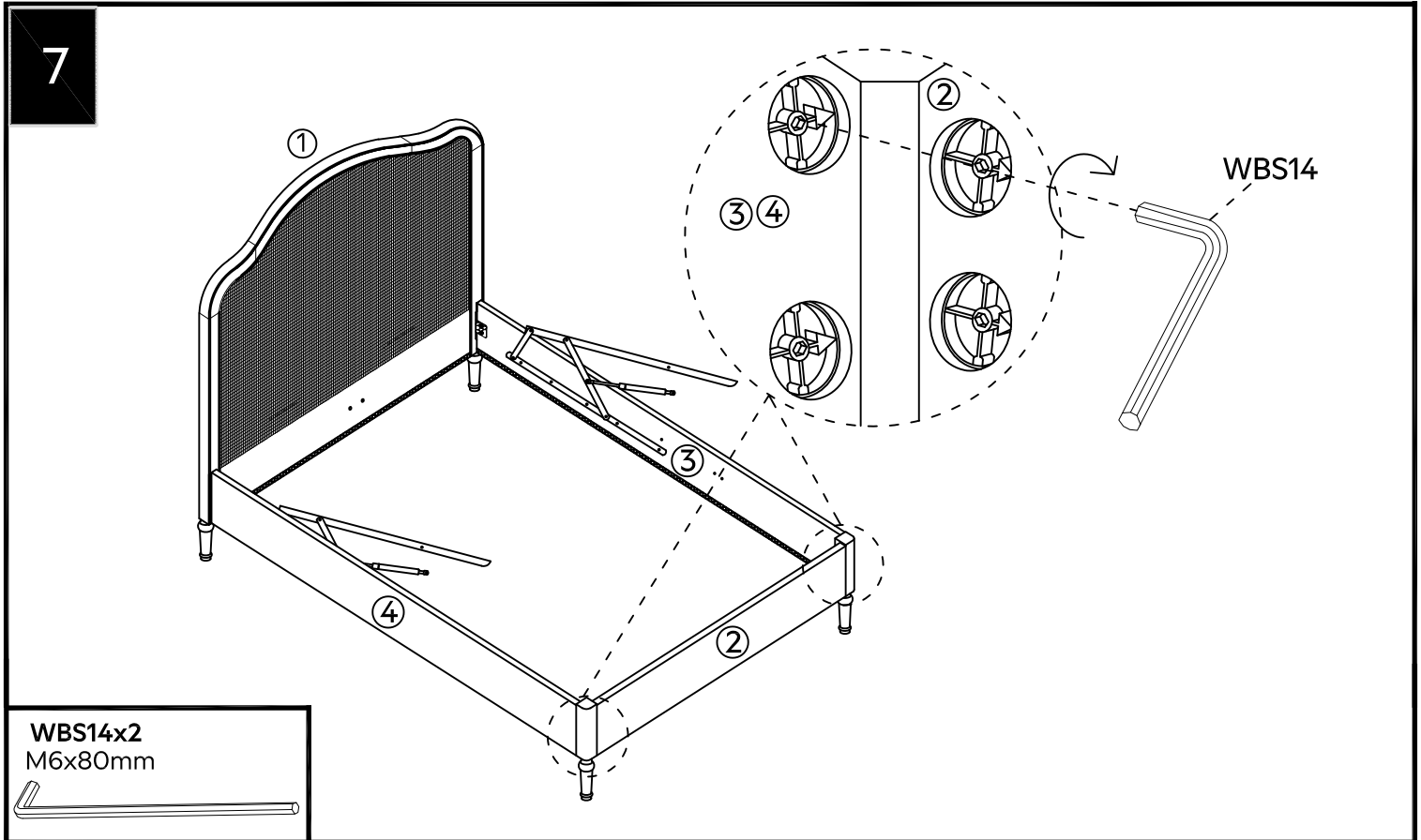
**WBS14x2**  
M6x80mm



### Assembly instructions



### Assembly instructions



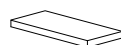
WLG108x12  
M8x25mm



WJM74x6  
Brackets  
70x43x46x2.2mm



WJBZ12x6  
40x20x3mm



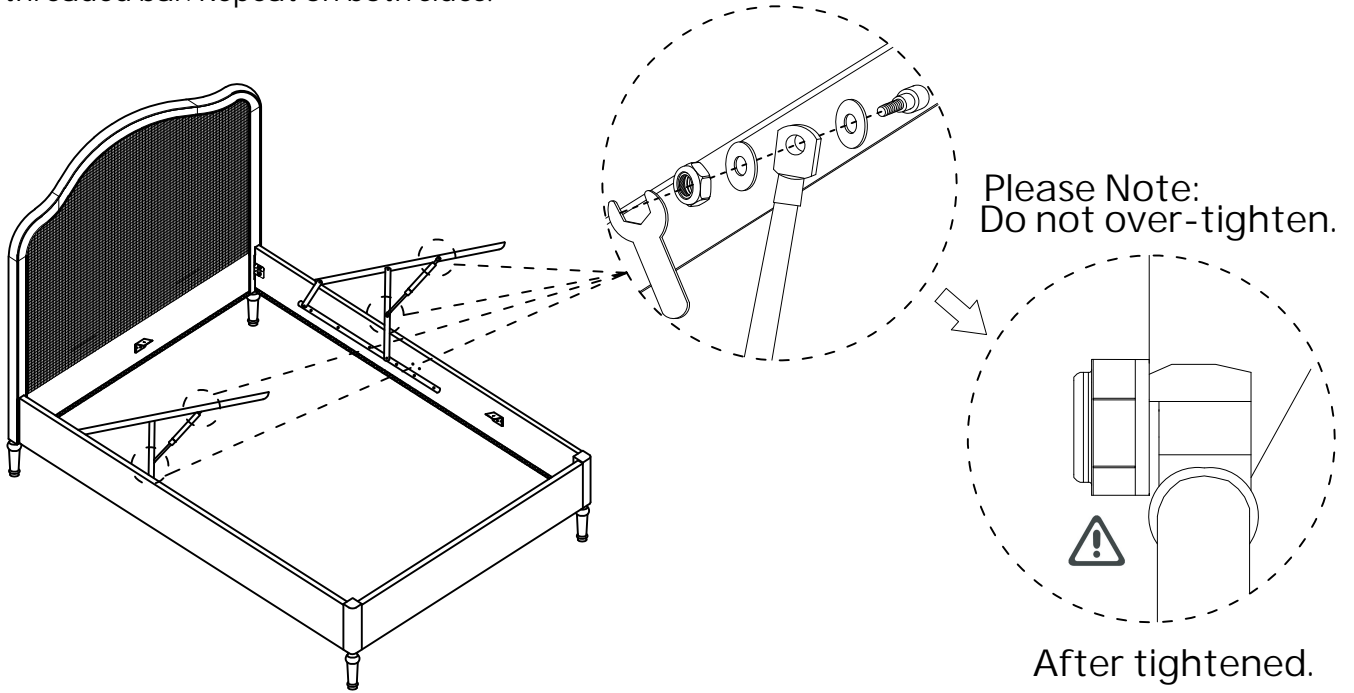
WBS12x2  
M5x90mm



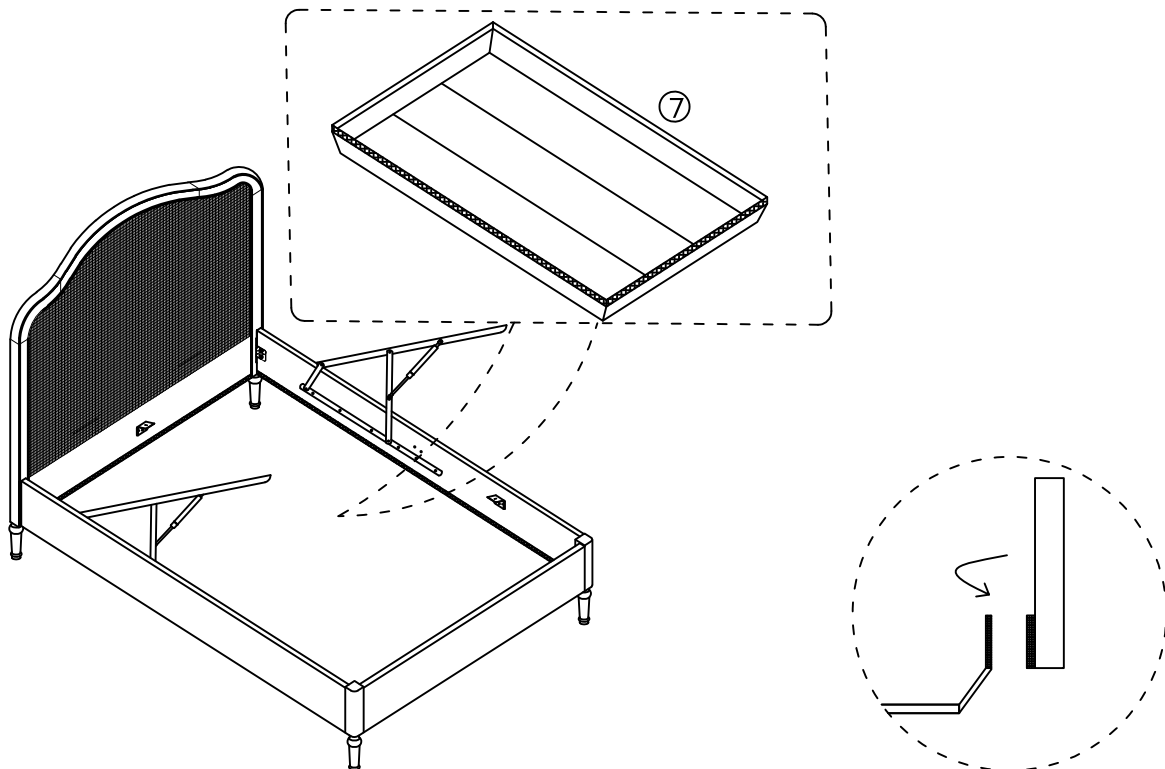
### Assembly instructions

9

NOTE: THE NUTS AND WASHERS ARE ALREADY IN POSITION ON THE BRACKET Un-tie mechanism, take out the transit protection block, connect the piston arm to the raising mechanism by removing and retightening the nuts and washers until the nylon locknut is engaged on the threaded bar. Repeat on both sides!

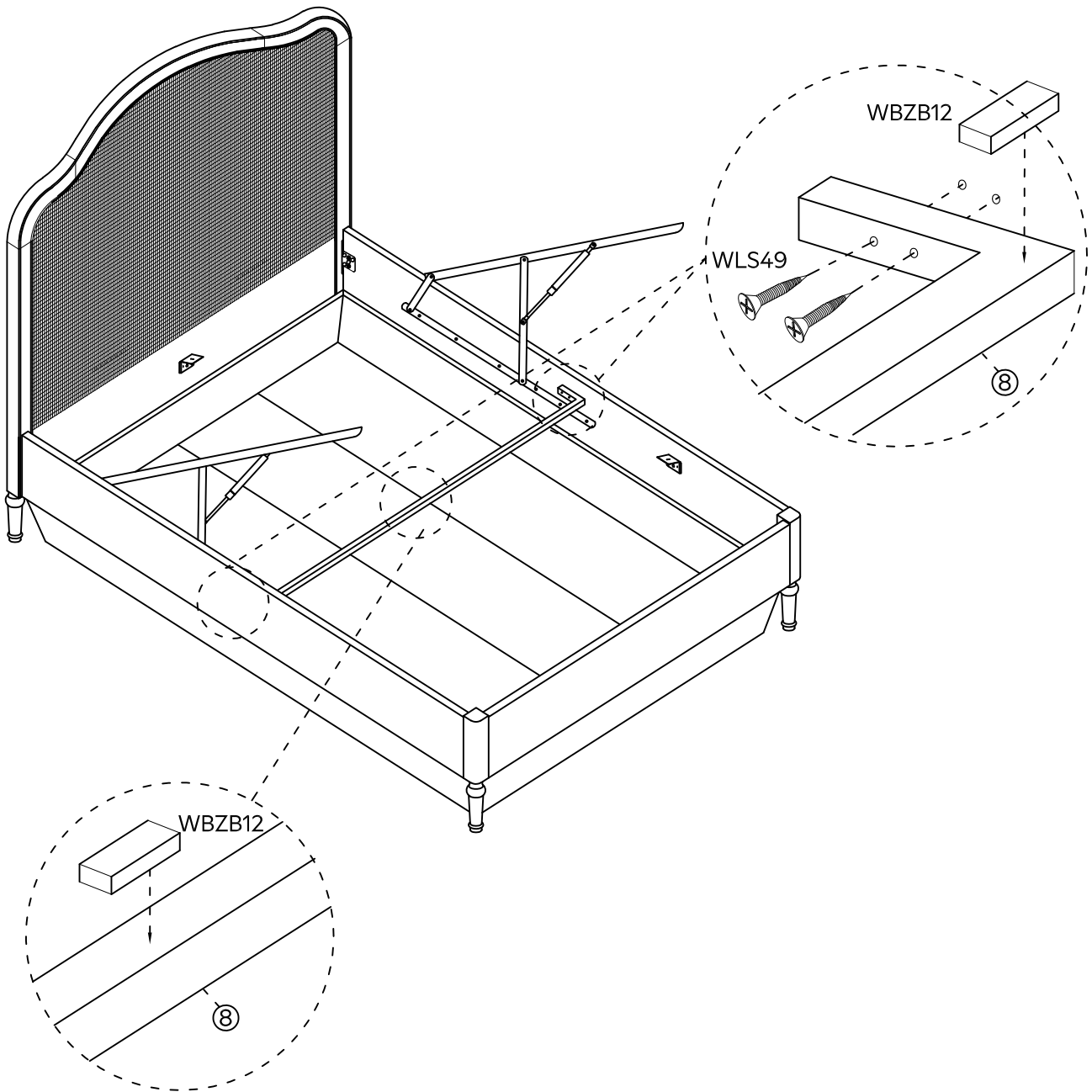




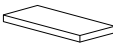
10



### Assembly instructions

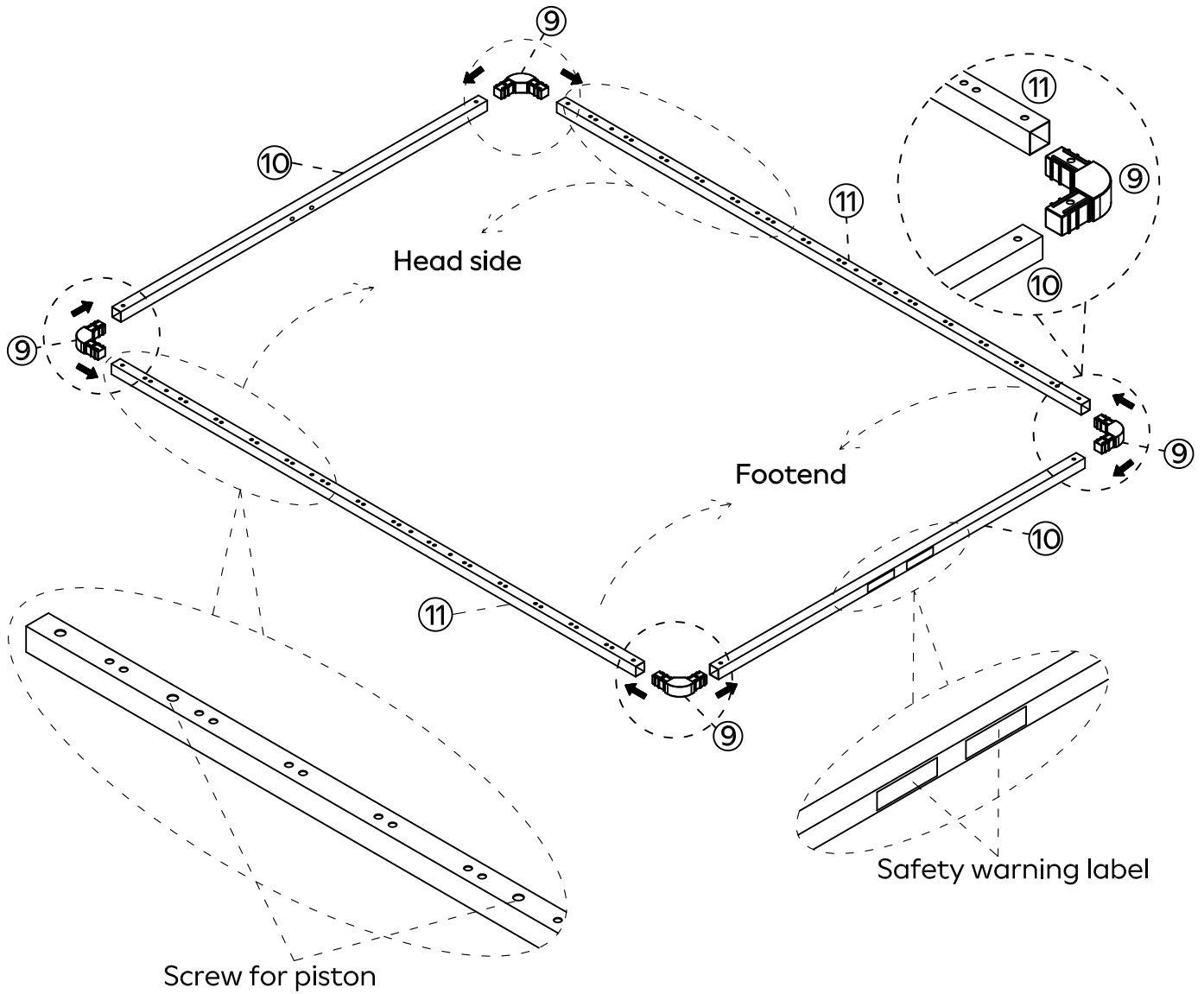
11



 PH2 not supplied	 WLS49x4 M5x40mm	 WBZB12x3 40x20x3mm
--	---	--

### Assembly instructions

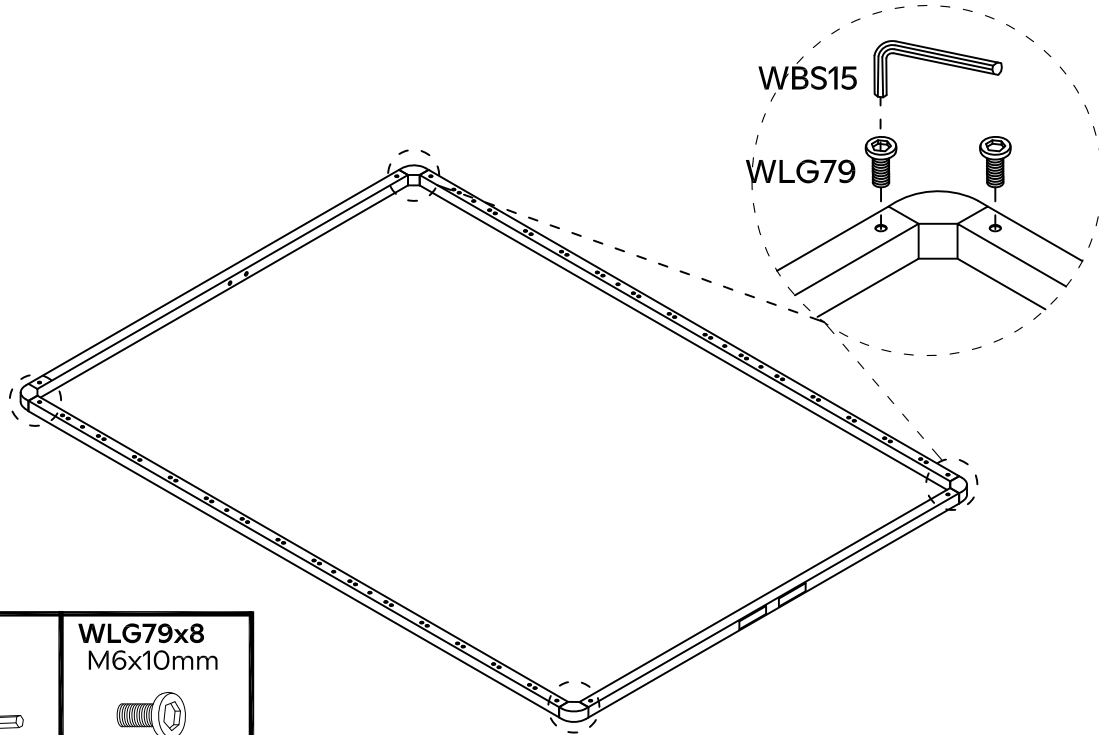
12



Note: The tube ⑩ with safety warning label should be assembled footend.

### Assembly instructions

13



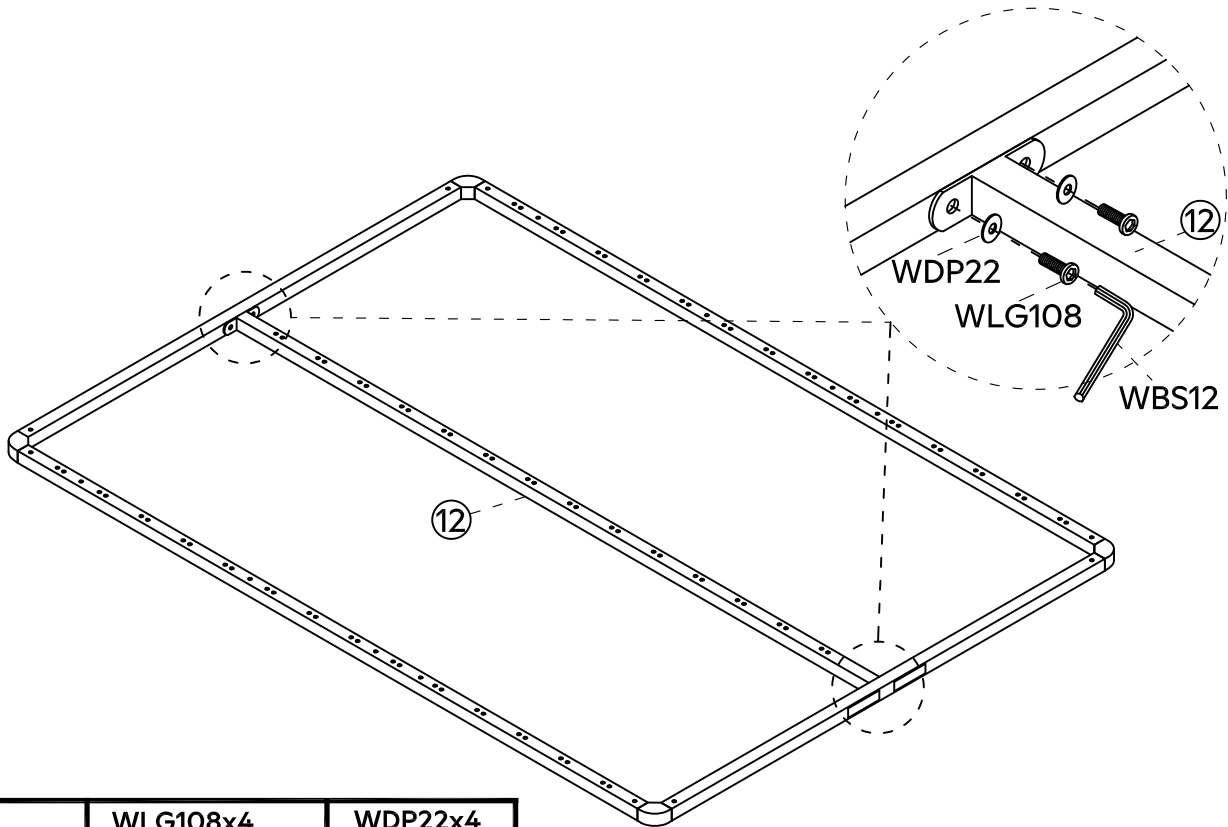
**WBS15x2**  
M4x57mm



**WLG79x8**  
M6x10mm



14



**WBS12x2**  
M5x90mm



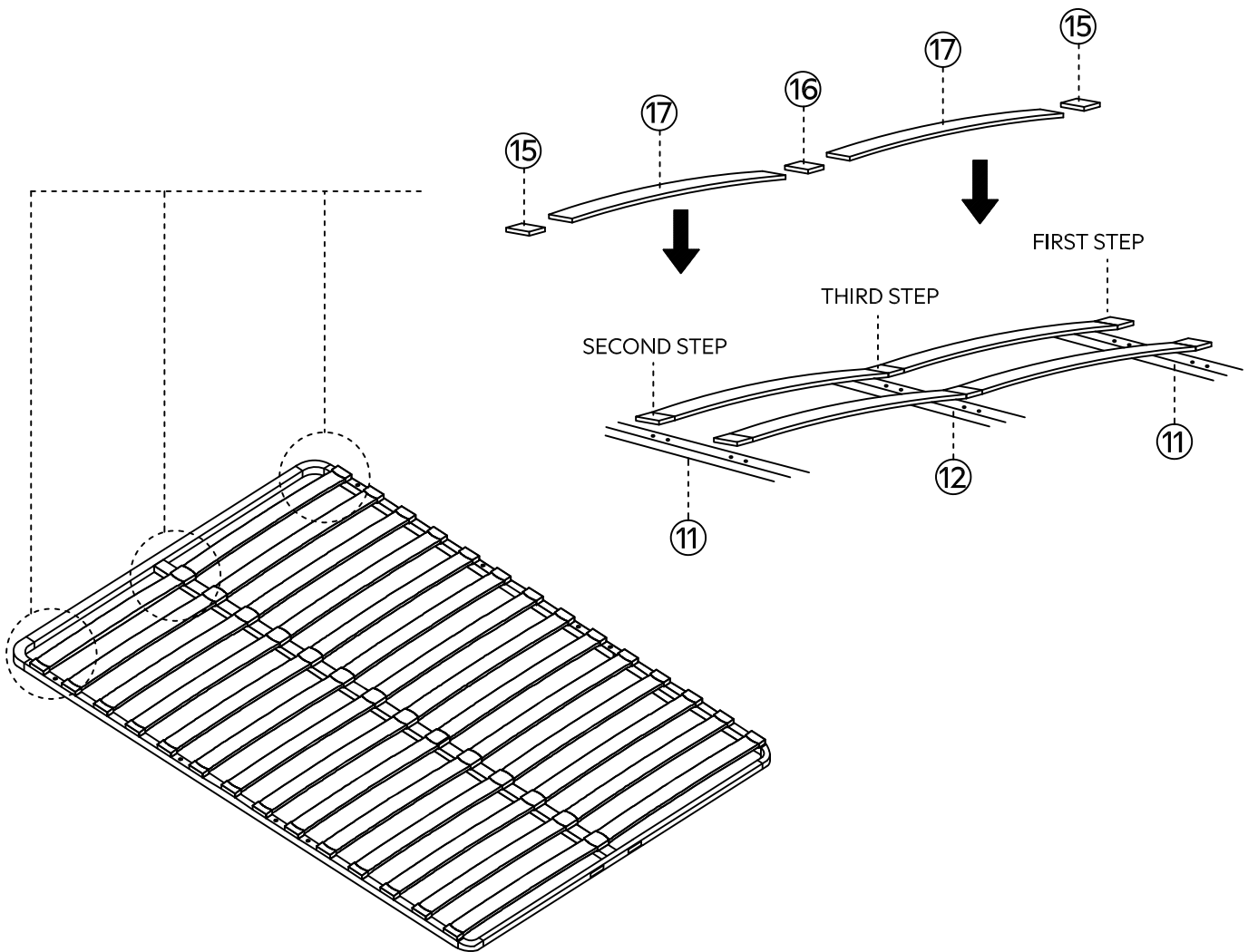
**WLG108x4**  
M8x25mm



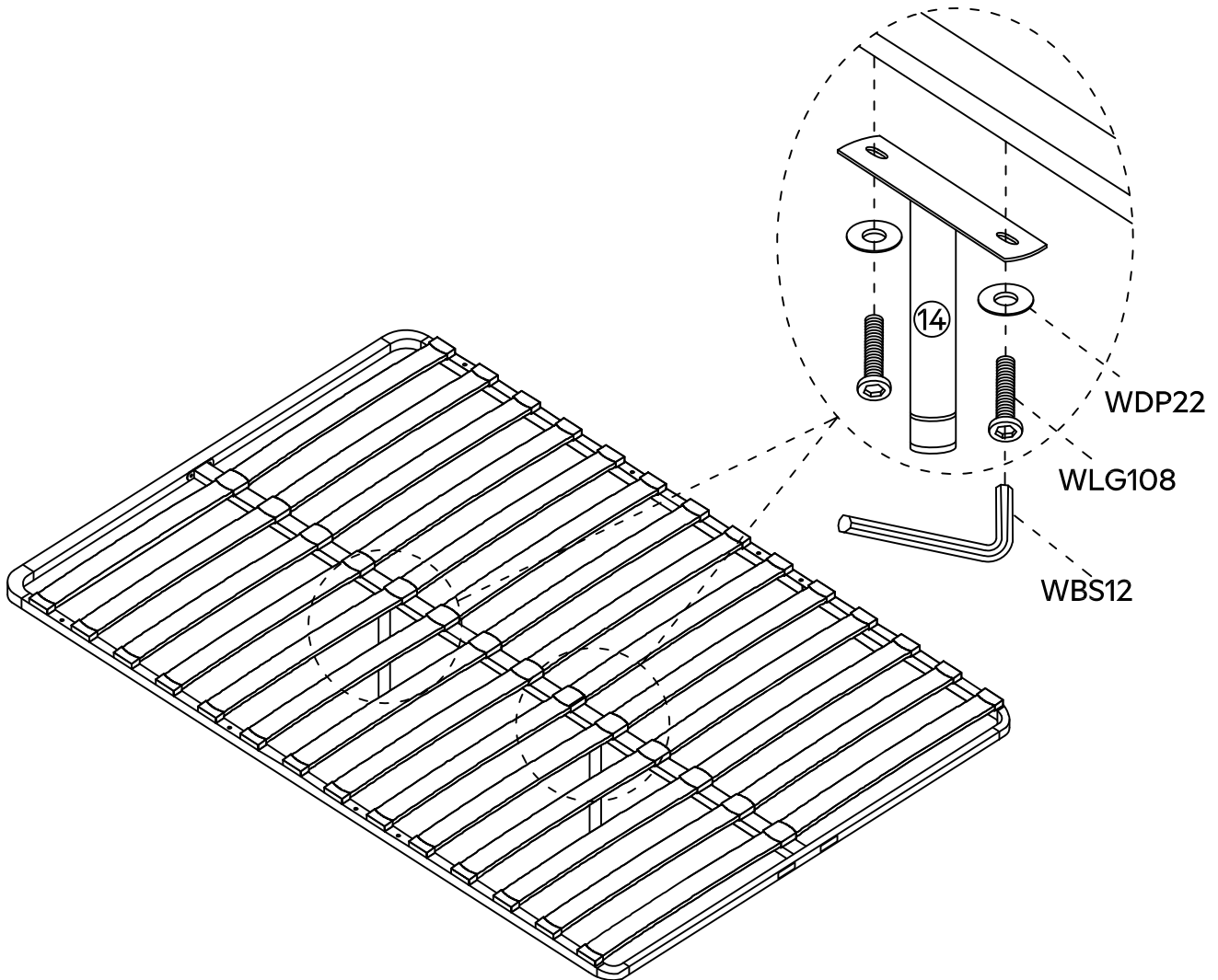
**WDP22x4**  
M8x19mm



15



16



**WBS12x2**  
M5x90mm



**WLG108x4**  
M8x25mm

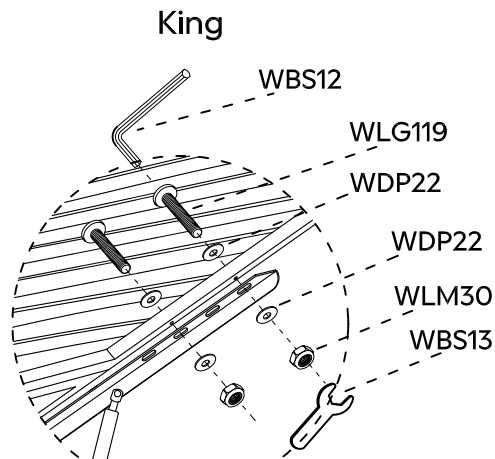
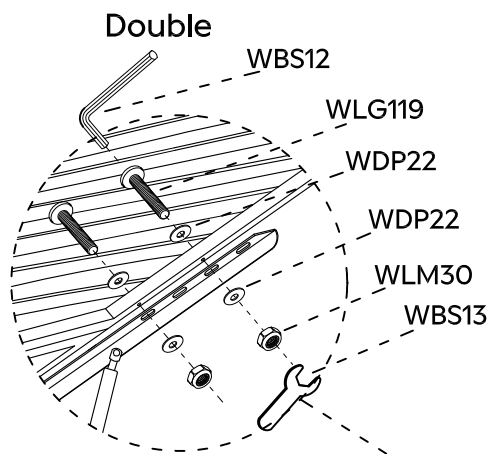
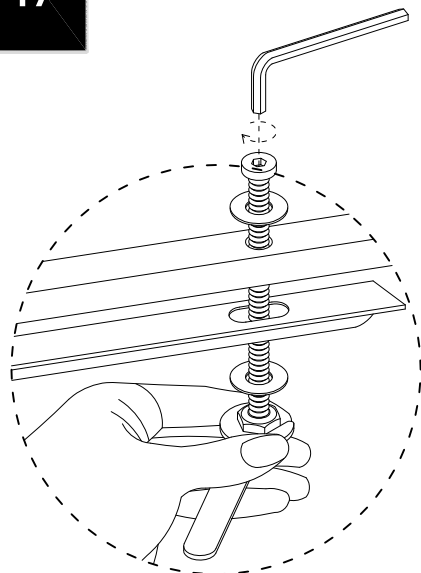


**WDP22x4**  
M8x19mm

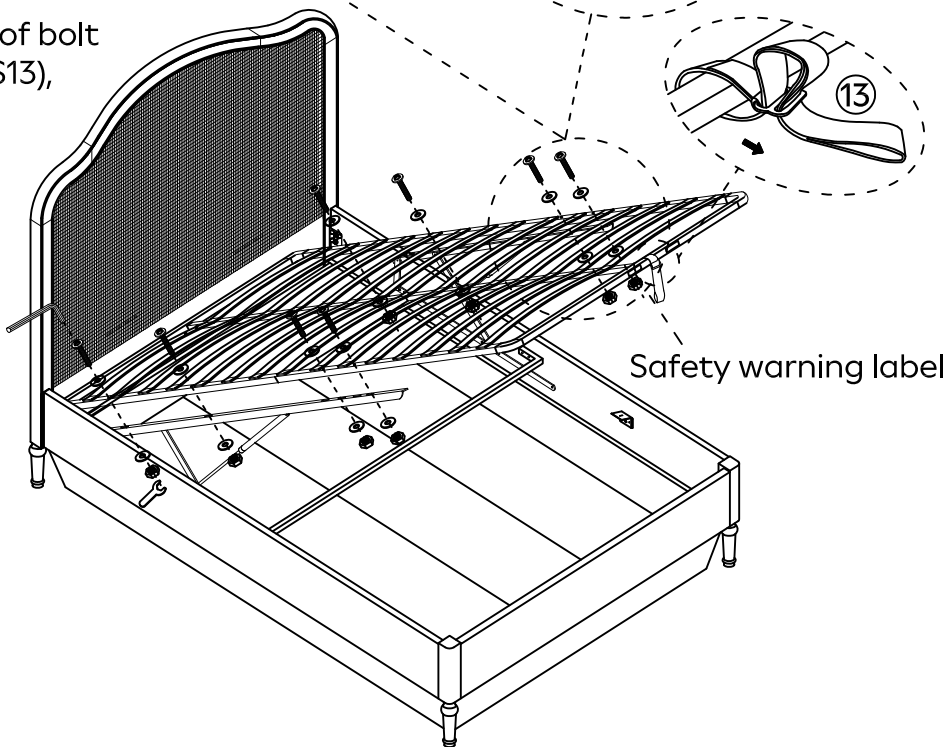
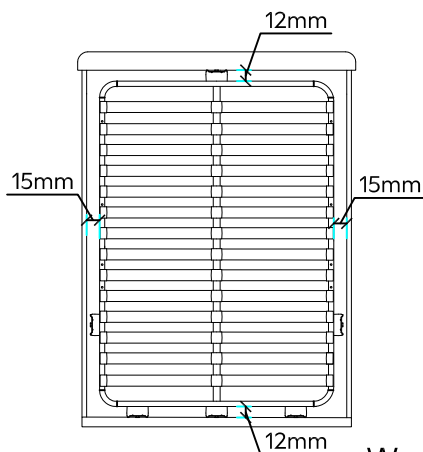


17

Fully tighten all the bolts at this stage.



Fix the nut (WLM30) at one end of bolt (WLG119) by using spanner (WBS13), then tighten the bolt (WLG119) by using allen key (WBS12).



We suggest to assemble the slat frame in the middle position of the bed and try to keep 15mm distance on both side rails and keep 12mm distance on headboard and footboard, need to be equal distance.

WBS12x2  
M5x90mm



WLG119x8  
M8x45mm



WDP22x16  
M8x19mm



WLM30x8  
M8

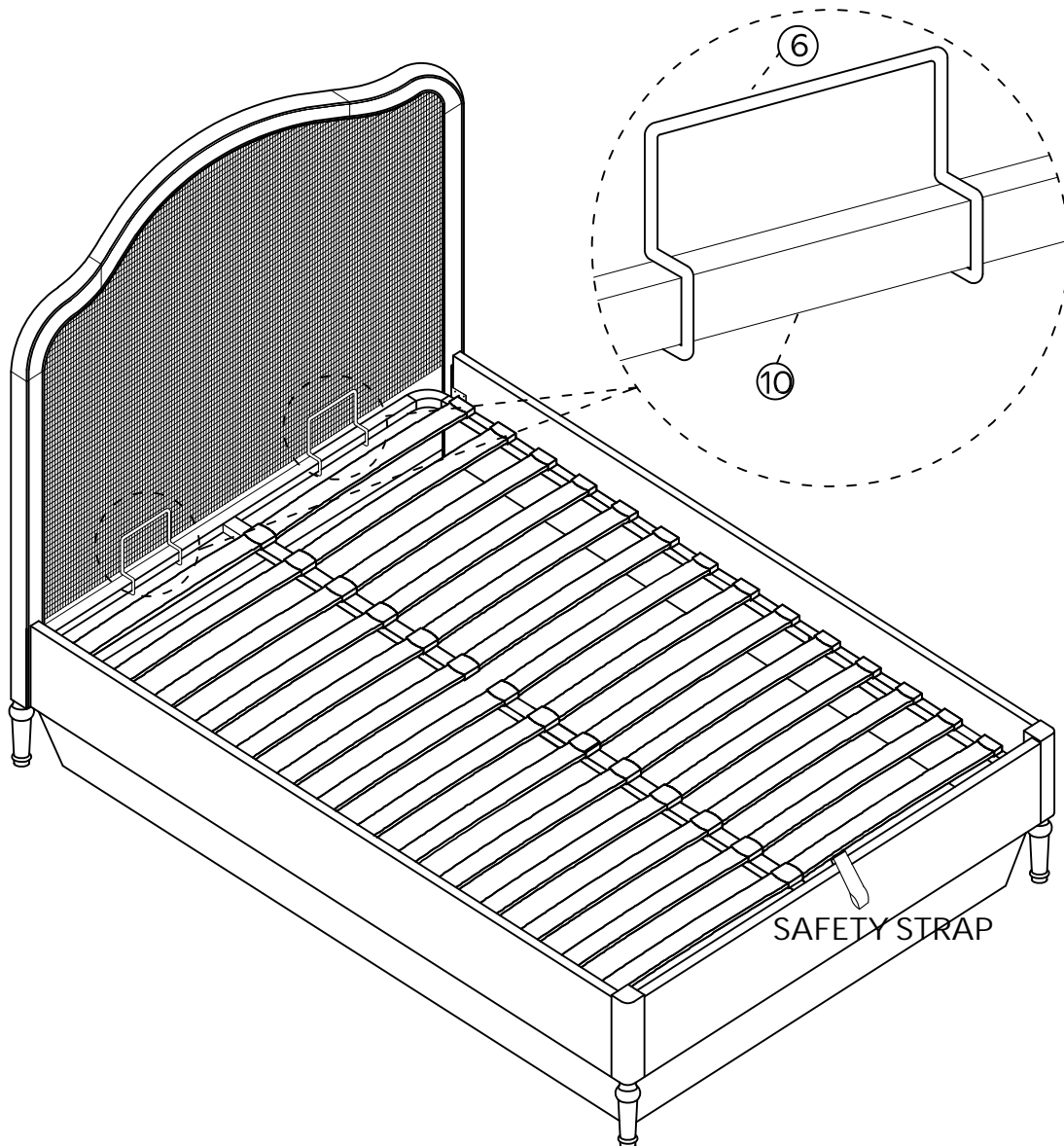


WBS13x2  
Ø13



18

**Warning:** When you need to move the bed please lift it, do not drag it.



### WARNING

SAFETY STRAP/ HANDLE

MUST BE POSITIONED IN THE CENTRE OF THE BED FRAME

ALWAYS USE THE SAFETY STRAP/HANDLE TO OPEN.

Overall Dimensions (WxLxH cm)

Double: 144.5 x 200 x 120.5/35  
 King: 159.5 x 210 x 120.5/35

Internal Dimensions (WxL cm)

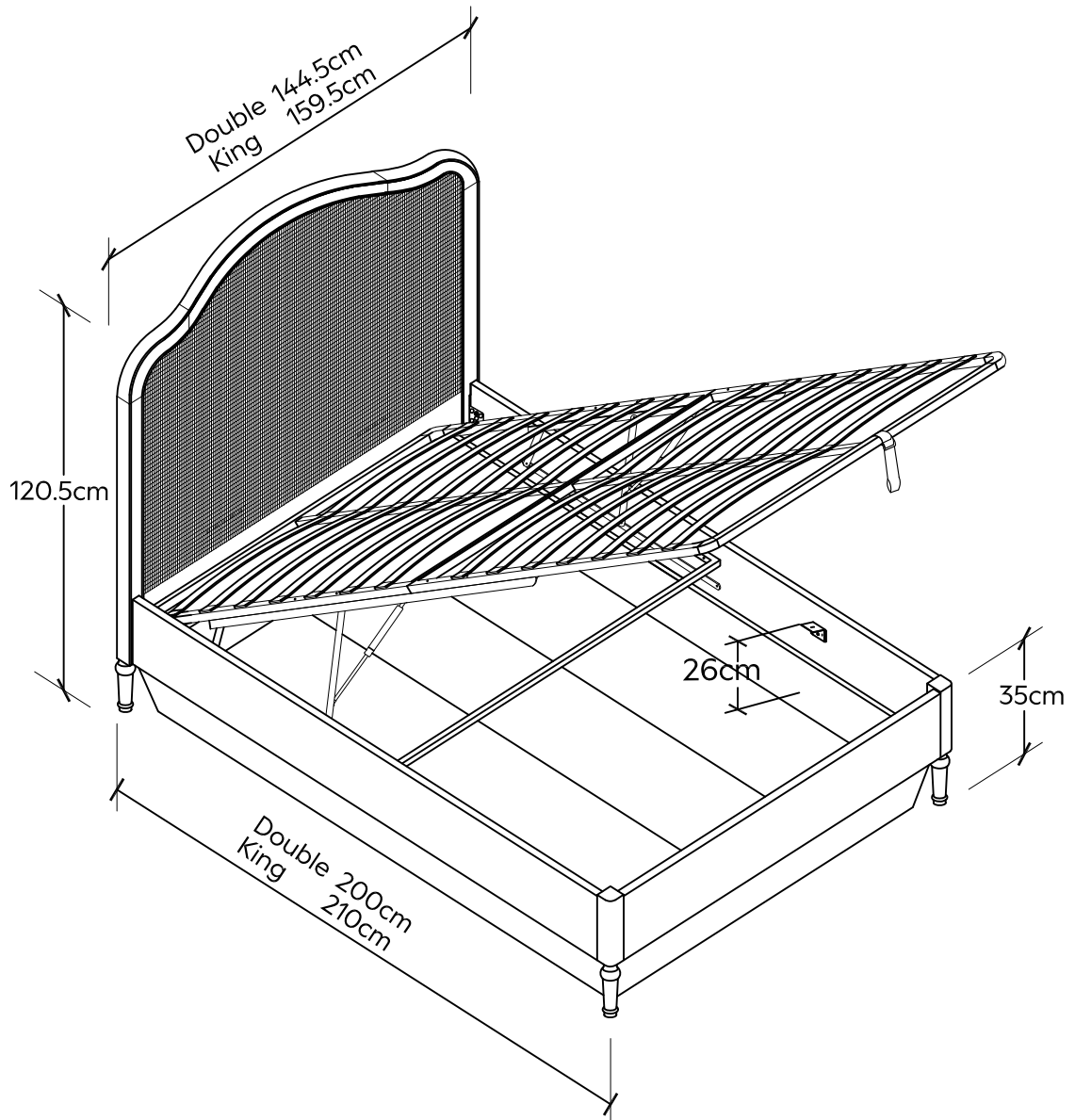
137 x 192  
 152 x 202

Delivery Box Sizes (HxWxD cm)

	Double	King
Box1	7x150x124	7x165x124
Box2	18x202x45	18x212x45
Box3	11x191x19	11x201x20

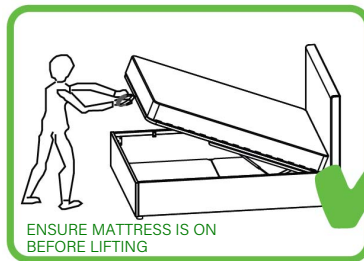
Storage (Litres)

Double	King
683	798



### IMPORTANT OTTOMAN SAFETY WARNINGS

- IMPORTANT – READ CAREFULLY – RETAIN FOR FUTURE REFERENCE
- You must ensure that the mattress is on the bed frame before operating the lift mechanism – Failure to do so could result in injury.
- Keep hands clear of the mechanism when opening or closing the ottoman.
- Beware of entrapment – Never reach in through the mechanism to access the storage area.
- Always ensure that the ottoman is FULLY opened before accessing the storage area.
- Do not reach into the storage area through the hinge mechanism.
- Do not exceed the maximum weight as specified in the table below:



Bed Size	Min Weight (kg)	Max Weight (kg)
Double	20	60
King	25	70

- Use caution when operating, always use the handle when lifting
- Note: This bed uses a pressurised mechanism.
- To be operated by adults only
- Please ensure that children and pets are kept away from the bed when operating the lift mechanism.
- Keep children and pets away from the storage area.
- No children or animals are left unattended when the frame is in the ' up' position.
- Do not overload the internal storage base.
- Do not stand inside the internal storage area of the bed
- Before removing the mattress secure the frame to ensure it does not open unexpectedly.
- Do not attempt to lie on the mattress when the ottoman is in the raised position.
- When lifting the ottoman remove all bedding except the fitted sheet.
- Depending on the weight of the mattress, the rising speed will vary so be careful until you get used to the speed.
- NOTE: When fully assembled and the mattress is in position, please raise and lower the ottoman 4 / 5 times to ensure the gas pistons are fully lubricated.