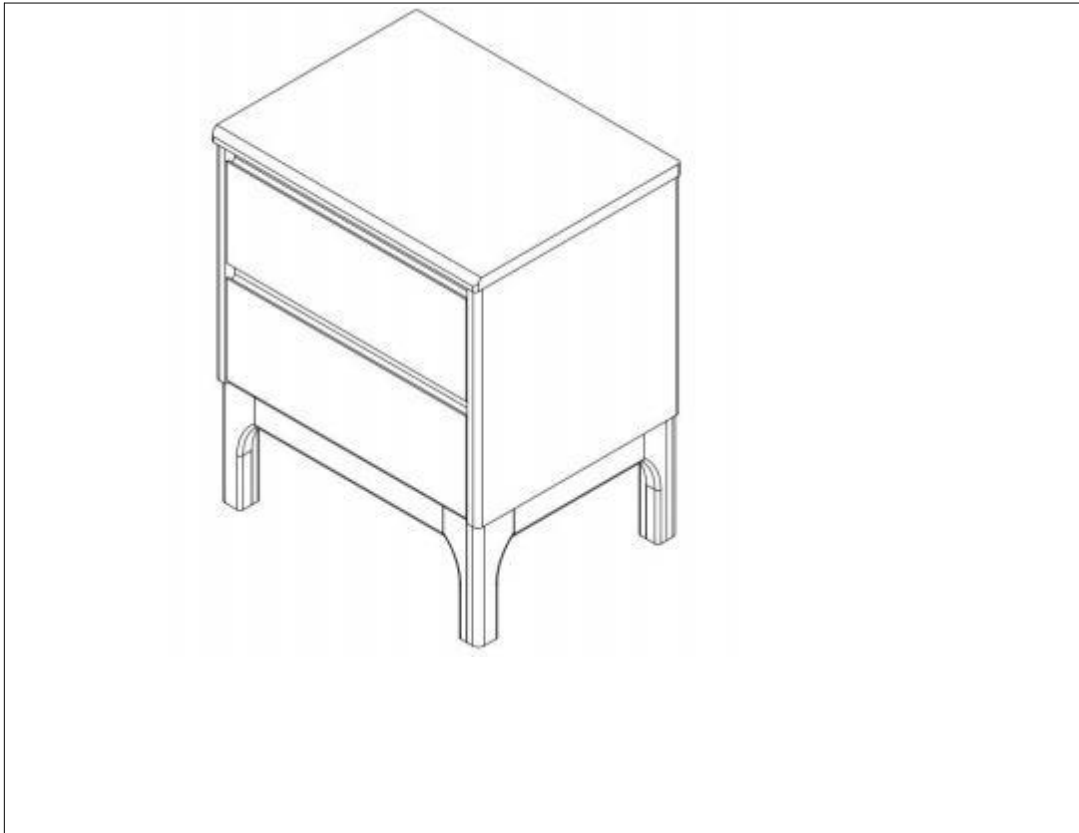


ELDON



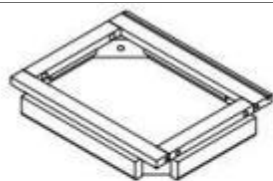
1 HOUR APPROX ASSEMBLY
1 PEOPLE ARE REQUIRED TO BUILD THIS SAFELY



Care and maintenance of your bed

- Use extreme care when assembling your bedside table. Any damage caused by using power tools will not be covered under warranty.
- Please check your bedside table regularly and tighten fixings if necessary.
- Do not knock or scratch on your bedside table.
- If you need to move your bedside table, we recommend lifting it and DO NOT drag the bedside table.

Bed Parts Checklist & Fittings Checklist



①



②



③



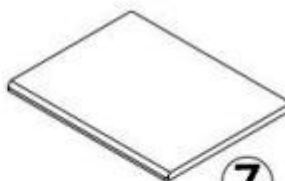
④



⑤



⑥



⑦



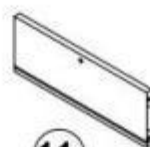
⑧



⑨



⑩



⑪



⑫



⑬

① x1	② x4	③ x1	④ x1
⑤ x1	⑥ x1	⑦ x1	⑧ x1
⑨ x1	⑩ x4	⑪ x2	⑫ x2
⑬ x2			

A x8 M8x50	B x4 8x13	C x4 8x16	D x1 M5	E x8 8x20
F x1 M4	G x10 M6x25	H x10 6x10	I x10 6x12	J x16 8x40
K x16 4x25	L x2 6x20	M x2 6x20		

Tips before you start

- Ensure you have enough space and a clean, dry area for assembly.
- Please check all parts are present before you start assembly and ensure you are familiar with all the parts.
- Keep all hardware parts safe and in the packaging to allow you to be able to identify all the parts with ease.

- If fixings are found to be damaged or missing, they must be replaced before further use of the product.

- Keep Children and Pets away from the area during assembly.
- The use of Power Tools is not recommended. If power tools are used, ensure extreme caution to not damage the bed in any way.
- Please read and understand the assembly instructions before completing each step. The correct order of assembly will prevent accidental damage to your bed.

- Do not over tighten screws or bolts.

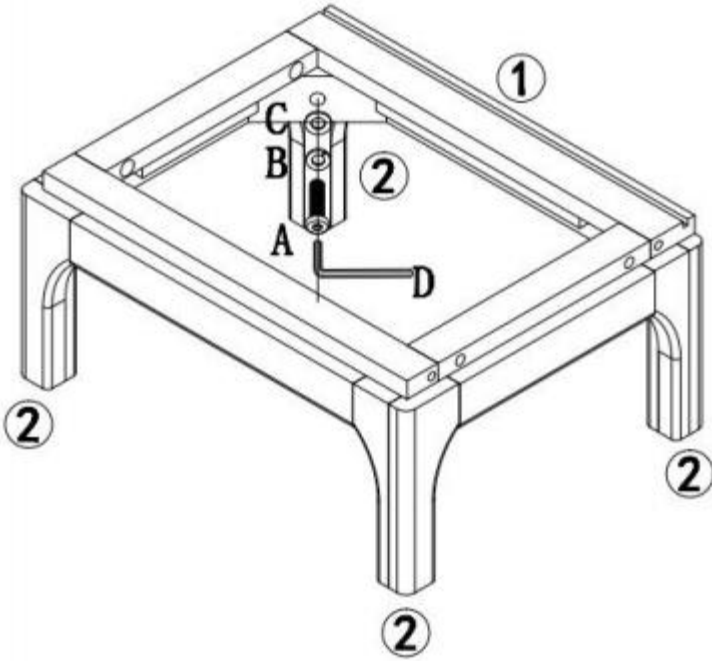
Produced in China for

Kaydian Design Ltd

Redburn House, Redburn Road, Westerhope,
Newcastle upon Tyne, NE51NB
www.kaydian.co.uk

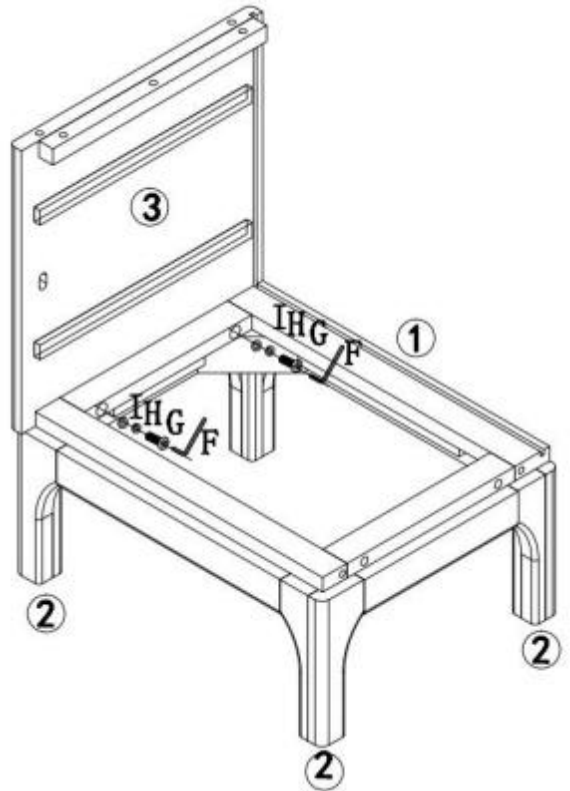
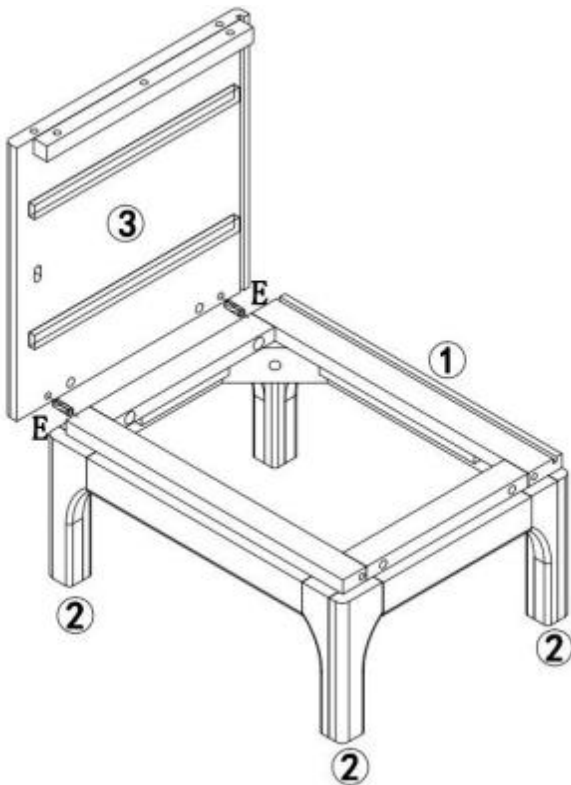
STEP 1

Attach the Legs (2) to the bottom panel (1).



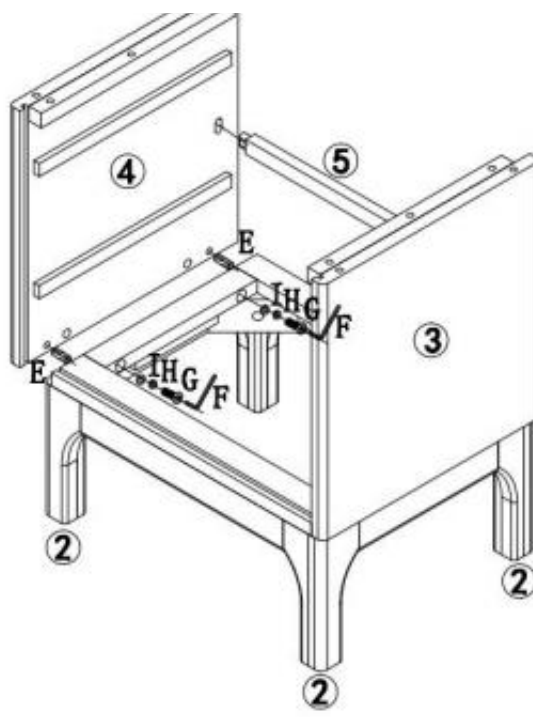
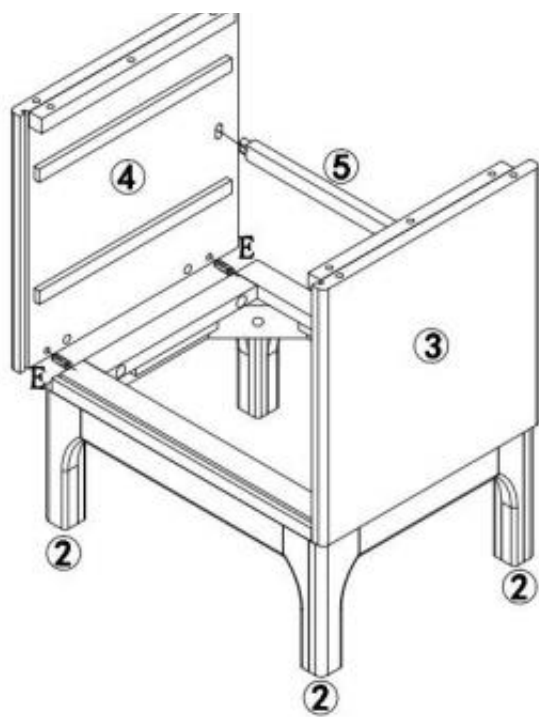
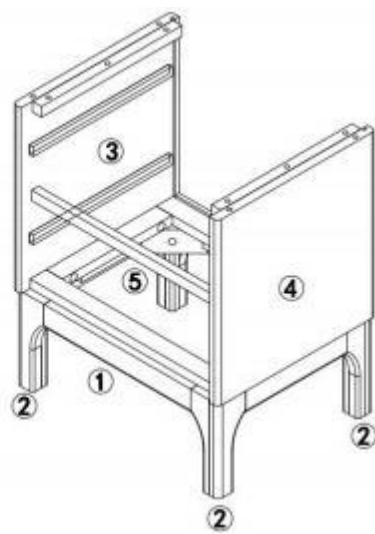
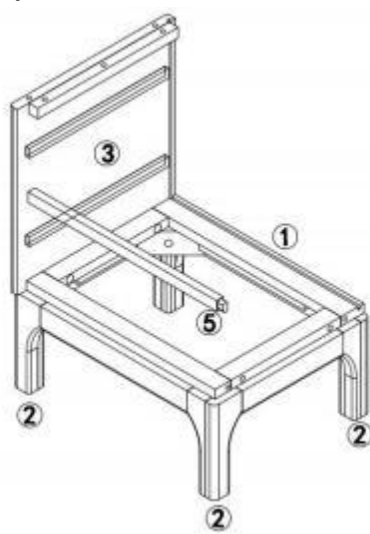
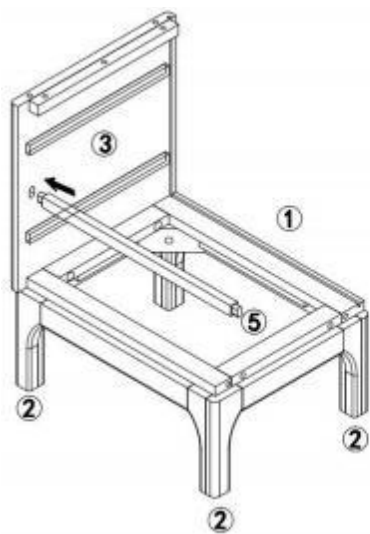
STEP 2

Slot the left side panel (3) to the bottom panel (1). Use Allen Key (F) to tighten it with (G), (H) & (I).



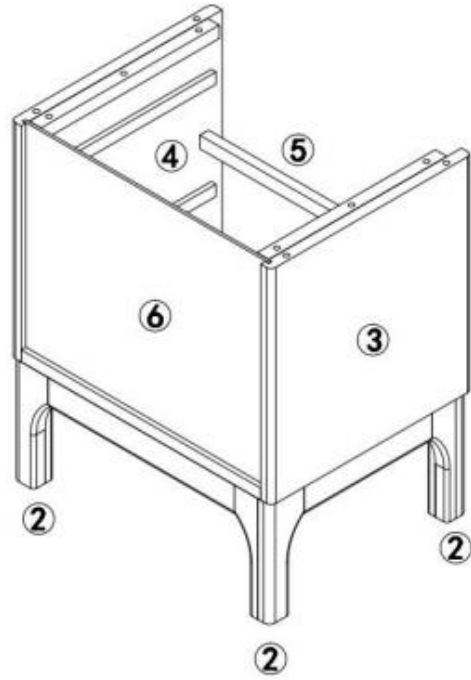
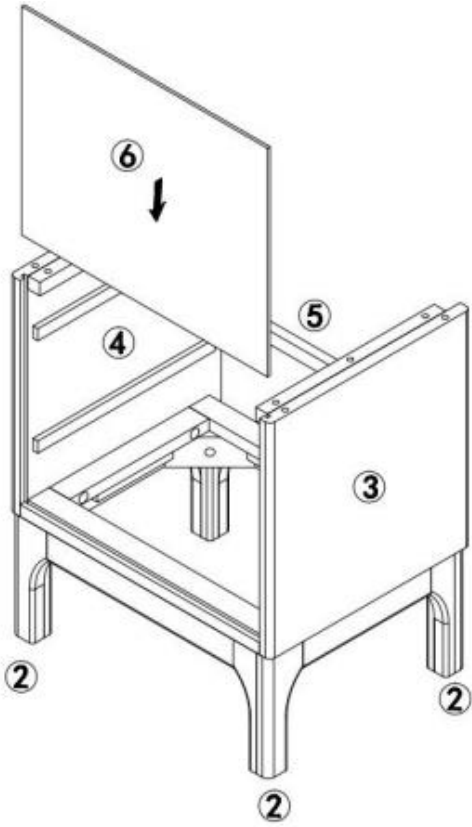
STEP 3

Attach the cross rail ⑤ to side panel ③ and then attach side panel ④.



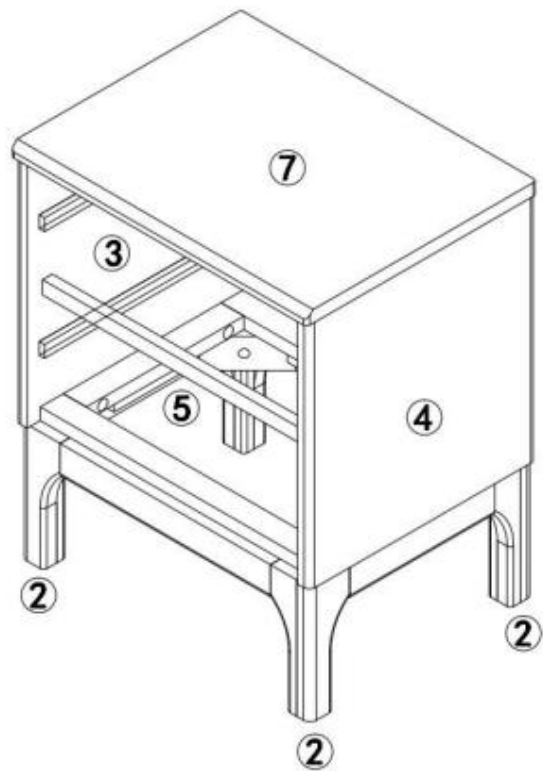
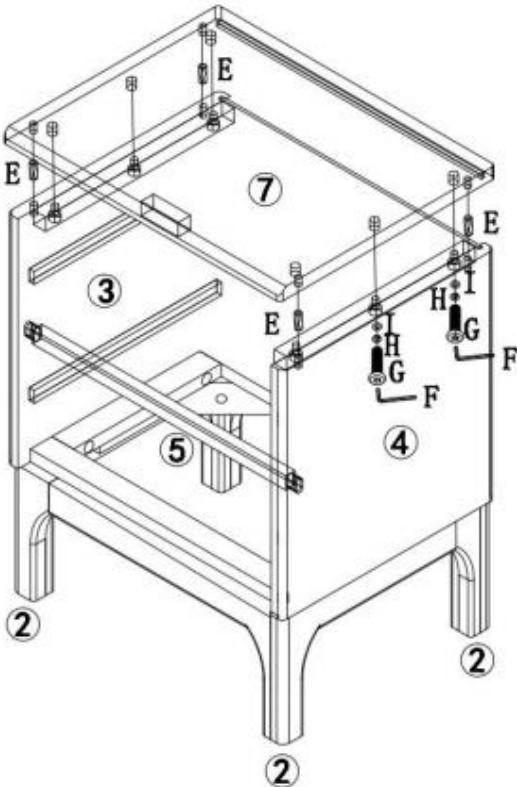
STEP 4

Carefully slot the back panel ⑥ into place.



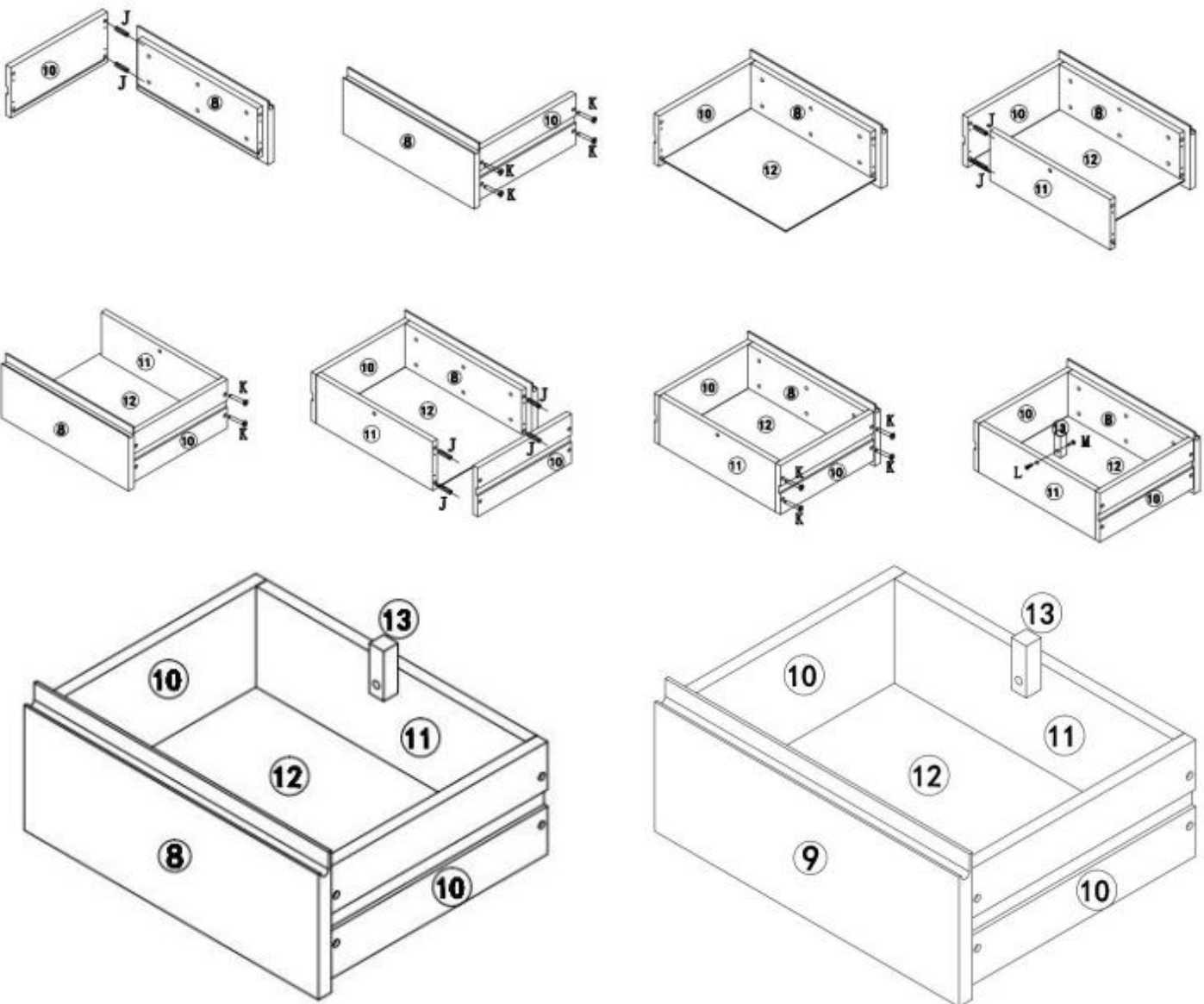
STEP 5

Assemble the top panel ⑦.



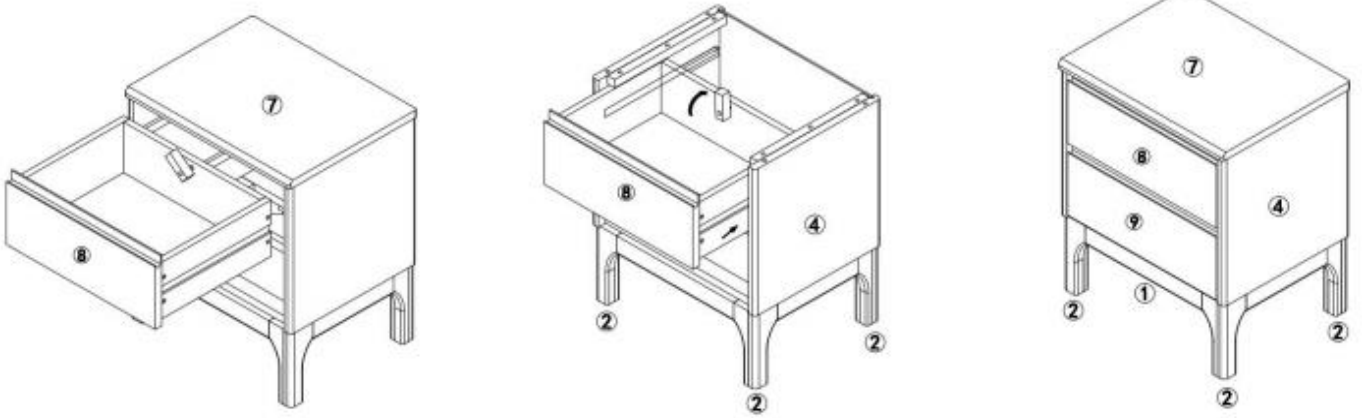
STEP 6

Assemble the Top drawer ⑧ as per the below steps. And assemble the Bottom drawer ⑨ in the same way. When attaching part ⑬13, do not fully tighten at this stage.



STEP 7

Place the drawers into position. Pull the drawer partially out and turn part ⑬ upright and tighten in position.



STEP 8

Position your bedside table against the wall and affix to the wall using appropriate fixings, like below reference photos.

