

NEXT

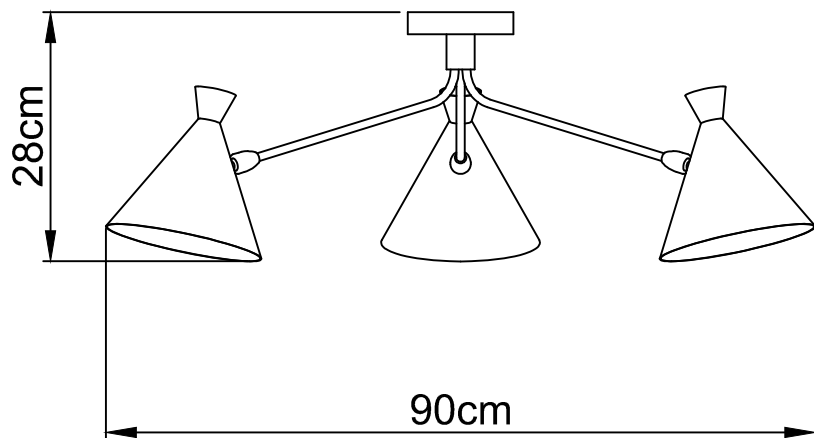
AUSTIN 3LT FLUSH

K92647

Assembly instructions

Actual product size

D90 * H28 cm



NEXT

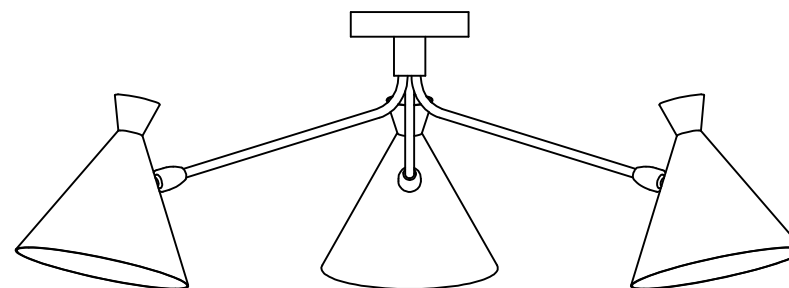
AUSTIN 3LT FLUSH

K92647

Assembly instructions

Actual product size

D90 * H28 cm



IMPORTANT-RETAIN FOR FUTURE REFERENCE

Need Help?

with: Assembly instructions
Missing or damaged parts

CALL: 0333 777 8999

NEXT AUSTIN 3LT FLUSH

K92647

Assembly instructions

BEFORE YOU START

Warnings

We suggest you retain these instructions for future reference
For your safety, this product must be installed in accordance with local Building Regulations. If in any doubt, or required by the law, consult a competent person who is registered with an electrician self-certification scheme. Further information is available online or from your Local Authority

This light is suitable for indoor use only

We suggest you retain these instructions for future reference

Light fittings should be connected to a 5 amp fused circuit

This light when used with the supplied light bulb may be dimmed using a standard dimmer switch
Before commencing installation, isolate the circuit to be used by removing the fuse or circuit breaker at the consumer distribution unit

Do's

We suggest you spend a short time reading through this leaflet before you start

When you are ready to start, make sure that you have the right tools and plenty of space

Unwrap all packaging materials and place the components on top of the carton box or on a clean floor to protect it from damage

We recommend that the packaging is used to protect the surfaces during assembly
Carefully check that you have all the parts before beginning assembly

Ensure the product is fully assembled as illustrated and all fixings fully tightened before use. Check fixings regularly to ensure they remain tight

Always switch off the supply before changing light bulbs or cleaning

Allow bulbs to cool down before handling

Don'ts

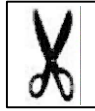
The fitting should not be fixed to newly painted or plastered surfaces as this may cause discolouration of the finish

We recommend cleaning with a soft dry cloth, do not use abrasive materials as these will rub away the protective coating

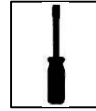
Number of people required to assemble

One person who is competent with electrical wiring and installation, however we do recommend that this item is installed by a qualified electrician

Tools required



not supplied



not supplied

Cross Head Screwdriver
Flat Screwdriver
Insulating Tape

Missing parts

If you are missing any fixtures and fittings for your product please contact our customer service team on 0333 777 8999 and they will be happy to help.

Cleaning Care

We recommend cleaning with a soft dry cloth. Do not use abrasive materials as these will rub away the protective coating.

Maintenance

To ensure your safety, if the cable becomes damaged it must be replaced by only a qualified person.

Safety information

For your safety, please remember the following:

- Always switch off the power supply before changing lightbulbs or cleaning
- Allow bulbs to cool down before handling.

You can write us at

Home Customer Services
Next Retail Ltd.
Desford Road, Leicester, LE19 4AT

Next Retail (Ireland) Ltd.
13-18 City Quay, Dublin 2, D02 ED70

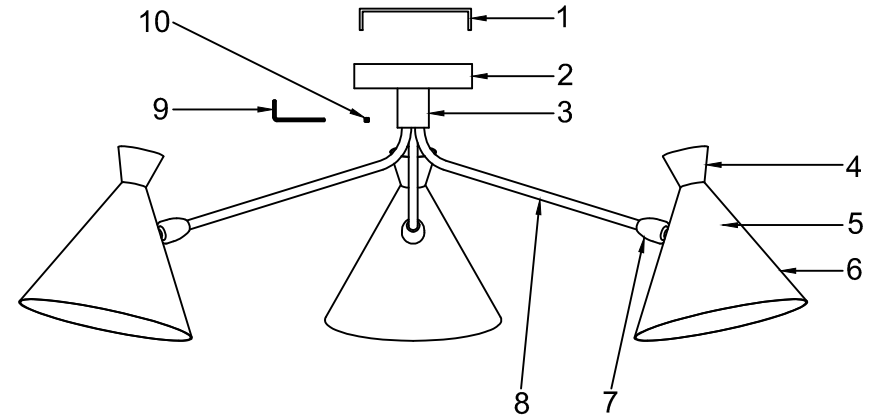
To view our full range please visit
www.next.co.uk

NEXT AUSTIN 3LT FLUSH

K92647

Assembly instructions

GETTING TO KNOW YOUR PRODUCT

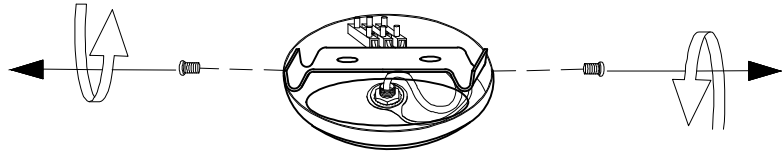


Ref	Description	Specification	Qty	Remark
1	Bracket	L11.6 * W1.8 * H1.3 cm	1	
2	Ceiling Plate	D12 * H2.5 cm	1	
3	Metal Neck	D3.2 * H4 cm	1	
4	Metal Cover	D4.6 * H3.4 cm	3	
5	Lampholder	E14	3	
6	Metal Shade	D18 * H14.2 cm	3	
7	Adjustable Head	D2.3 * H4.8 cm	3	
8	Metal Frame	D0.9 * L27.6*W13.3cm	3	
9	Allen Key	D3*L6 cm	1	Packed in fixing bag
10	Grub Screws	D4*H5 mm	4	Packed in fixing bag

NEXT AUSTIN 3LT FLUSH

K92647
Assembly instructions

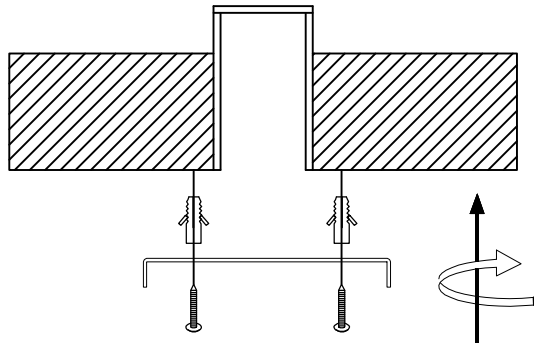
1



Step 1

Using the mounting strap as a guide, mark screw positions on the ceiling. Make sure the area is free of any hidden wires, water or gas pipes.

2



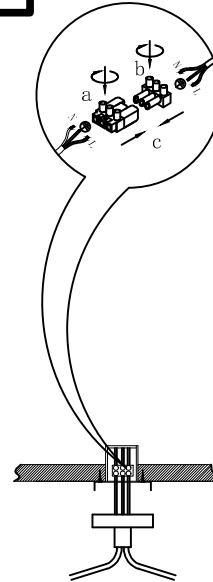
Step 2

Attach mounting strap to the ceiling using screws supplied. The screws should penetrate a ceiling joist by at least 25 mm.

NEXT AUSTIN 3LT FLUSH

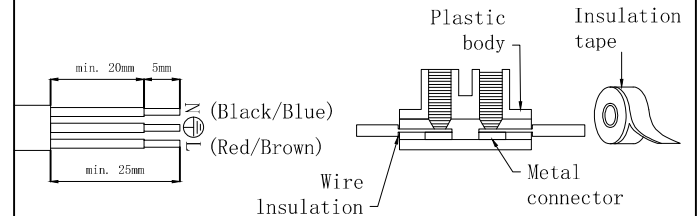
K92647
Assembly instructions

3



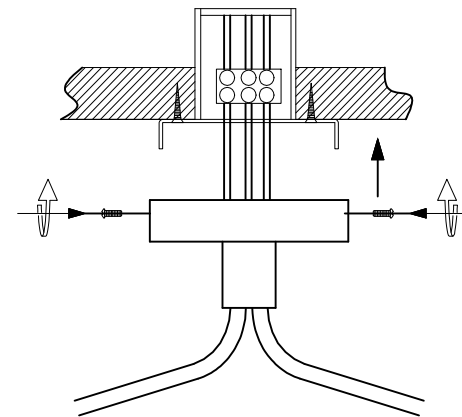
Step 3

Light fitting flex	Household circuit
Blue or wire marked "N".....	Connect toBlack or blue(Neutral)
Green/Yellow or wire marked "E".....	Connect toGreen/Yellow-sleeved Copper(Earth)
Brown or wire marked "L".....	Connect toSwitched live



Connect the supply wires to the terminal block of the fitting as above diagram. Ensure that connections are tight and no loose strands of wire are left out of the connector blocks. This product must be earthed - if no earth wire(Green/Yellow wire) is available,consult an electrician.

4



Step 4

Attach housing to the mounting strap using the two side screws and washers.

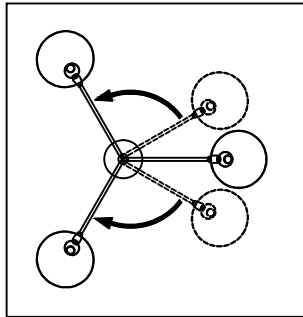
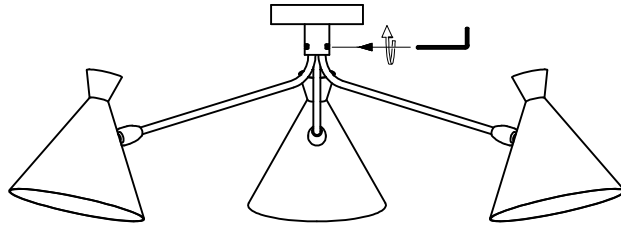
NEXT

AUSTIN 3LT FLUSH

K92647

Assembly instructions

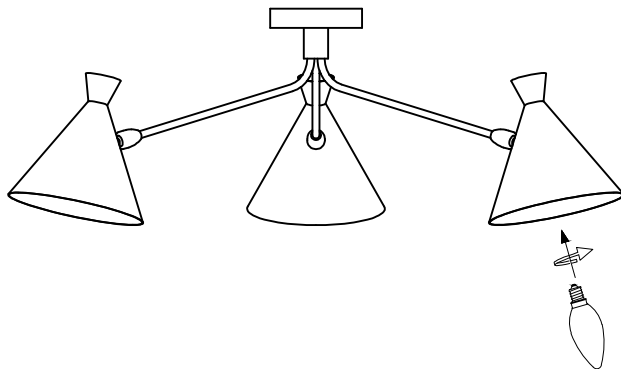
5



Step 5

Adjust arms into desired position and tighten grub screws using supplied allen key.

6



Bulb:
Max 7W E14 LED

Step 6

Screw bulb into lampholder. (Bulb not included)

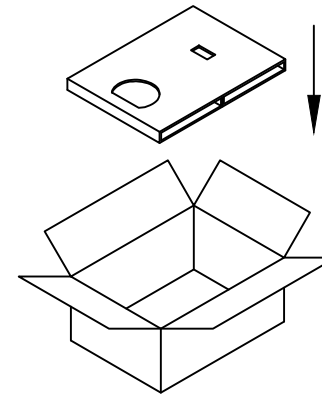
NEXT

Item K92647 AUSTIN 3LT FLUSH

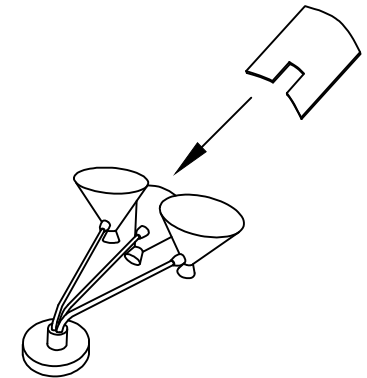
Instructions for repackaging

Thank you for purchasing this Next lighting product. We hope you will be delighted with your purchase, but in the event that you wish to return the product, please follow the repackaging instructions below.

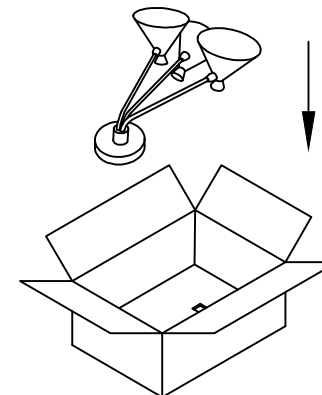
1



2



3



4

