

# NEXT

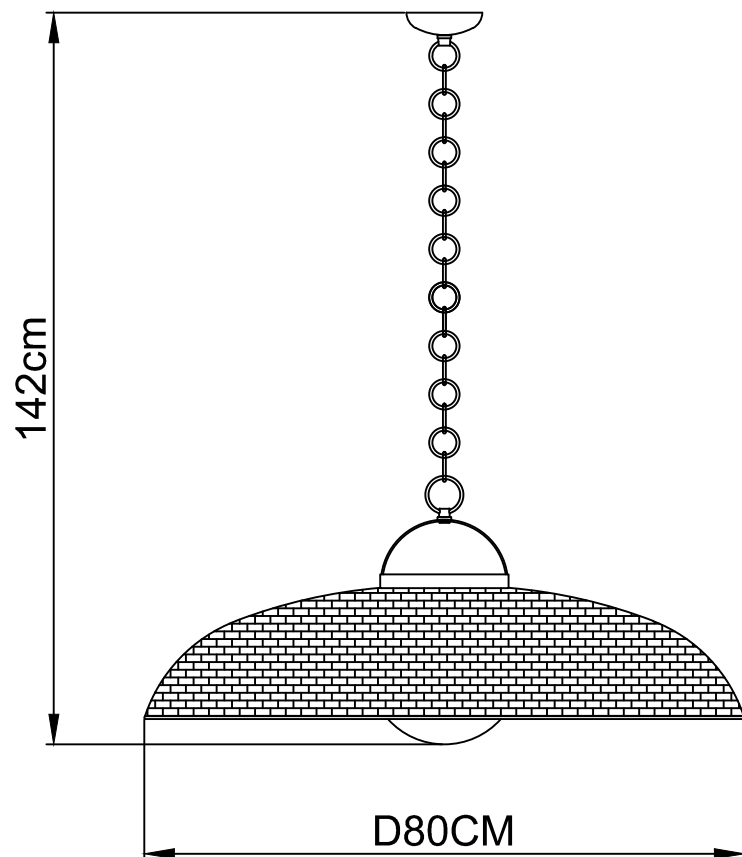
## ALBA RATTAN PEND

K92649

Assembly instructions

**Actual product size**

H142 X DIA 80cm



# NEXT

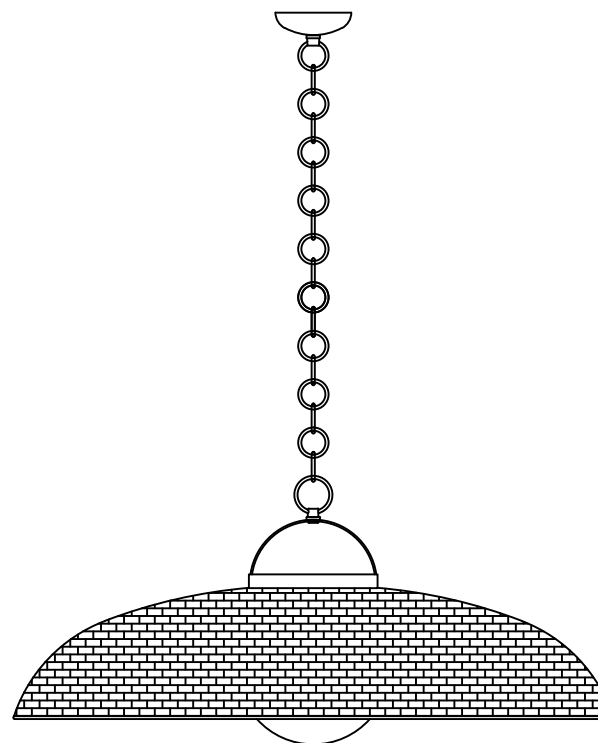
## ALBA RATTAN PEND

K92649

Assembly instructions

**Actual product size**

H142 X DIA 80cm



### Need Help?

with: Assembly instructions  
Missing or damaged parts

**CALL: 0333 777 8999**

IMPORTANT-RETAIN FOR FUTURE REFERENCE

# NEXT ALBA RATTAN PEND

K92649  
Assembly instructions

## BEFORE YOU START

### Warnings

We suggest you retain these instructions for future reference  
For your safety, this product must be installed in accordance with local Building Regulations. If in any doubt, or required by the law, consult a competent person who is registered with an electrician self-certification scheme. Further information is available online or from your Local Authority

This light is suitable for indoor use only

We suggest you retain these instructions for future reference

Light fittings should be connected to a 5 amp fused circuit

This light when used with the supplied light bulb may be dimmed using a standard dimmer switch  
Before commencing installation, isolate the circuit to be used by removing the fuse or circuit breaker at the consumer distribution unit

### Do's

We suggest you spend a short time reading through this leaflet before you start

When you are ready to start, make sure that you have the right tools and plenty of space

Unwrap all packaging materials and place the components on top of the carton box or on a clean floor to protect it from damage

We recommend that the packaging is used to protect the surfaces during assembly  
Carefully check that you have all the parts before beginning assembly

Ensure the product is fully assembled as illustrated and all fixings fully tightened before use. Check fixings regularly to ensure they remain tight

Always switch off the supply before changing light bulbs or cleaning

Allow bulbs to cool down before handling

### Don'ts

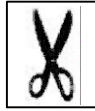
The fitting should not be fixed to newly painted or plastered surfaces as this may cause discolouration of the finish

We recommend cleaning with a soft dry cloth, do not use abrasive materials as these will rub away the protective coating

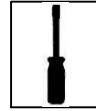
### Number of people required to assemble

One person who is competent with electrical wiring and installation, however we do recommend that this item is installed by a qualified electrician

### Tools required



not supplied



not supplied

Cross Head Screwdriver  
Flat Screwdriver  
Insulating Tape

### Missing parts

If you are missing any fixtures and fittings for your product please contact our customer service team on 0333 777 8999 and they will be happy to help.

### Cleaning Care

We recommend cleaning with a soft dry cloth. Do not use abrasive materials as these will rub away the protective coating.

### Maintenance

To ensure your safety, if the cable becomes damaged it must be replaced by only a qualified person.

### Safety information

For your safety, please remember the following:  
- Always switch off the power supply before changing lightbulbs or cleaning  
- Allow bulbs to cool down before handling.

### You can write to us at

Home Customer Services  
Next Retail Ltd,  
Desford Road,  
Leicester,  
LE19 4AT

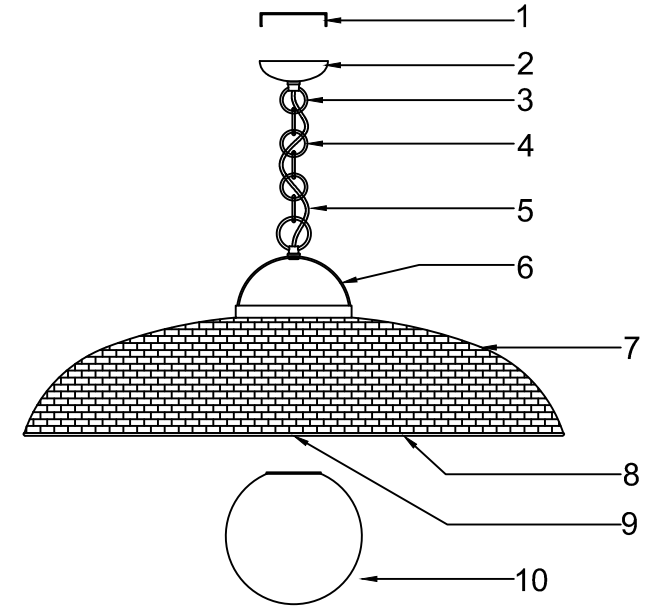
Next Retail (Ireland) Ltd.  
13-18 City Quay, Dublin 2, D02 ED70

To view our full range please visit  
[www.next.co.uk](http://www.next.co.uk)

# NEXT ALBA RATTAN PEND

K92649  
Assembly instructions

## GETTING TO KNOW YOUR PRODUCT

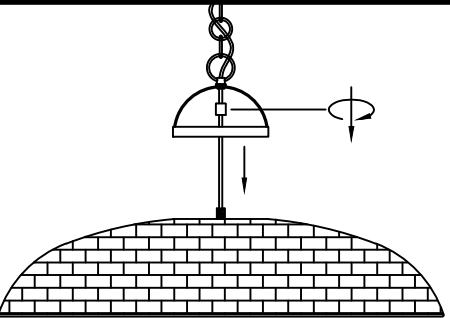


Ref	Description	Specification	Qty	Remark
1	Bracket	L9 * W1.8 * H1.4 cm	1	
2	Ceiling Plate	D10 * H3 cm	1	
3	Hook	W3.5 * H4.2 cm	2	
4	Chain	W4.0 * L100 cm	1	
5	Cable	L145 cm	1	
6	Arch Frame	D17 * H9.2 cm	1	
7	Rattan Shade	D15 * H14 cm	1	
8	Lampholder Cup	D8.5 * H1.2 cm	1	
9	Lampholder	E27	1	
10	Glass Shade	D20 * H19.2 cm	1	
11				

# NEXT ALBA RATTAN PEND

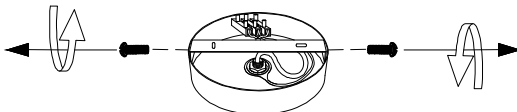
K92649  
Assembly instructions

**1**



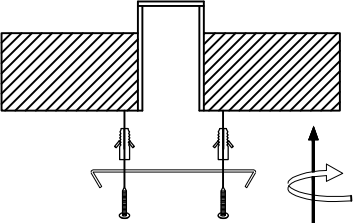
**Step 1**  
Please attach the arch frame to the shade by gently pulling the cable through and tighten the nut as directed in image.

**2**



**Step 2**  
Remove the fixing bracket from the ceiling cup. Using the mounting strap as a guide, mark screw positions on the ceiling. Make sure the area is free of any hidden wires, water or gas pipes.

**3**

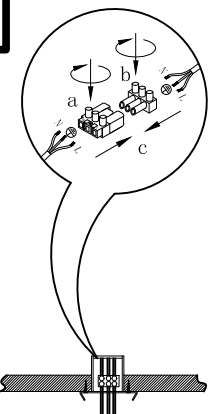


**Step 3**  
Attach mounting strap to the ceiling using screws supplied. The screws should penetrate a ceiling joist by at least 25 mm.

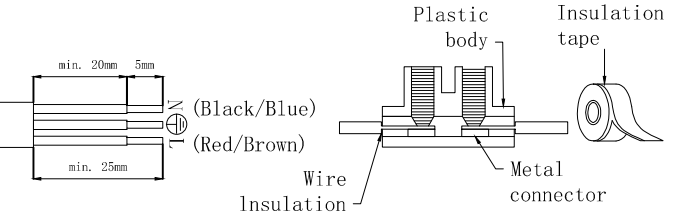
# NEXT ALBA RATTAN PEND

K92649  
Assembly instructions

**4**



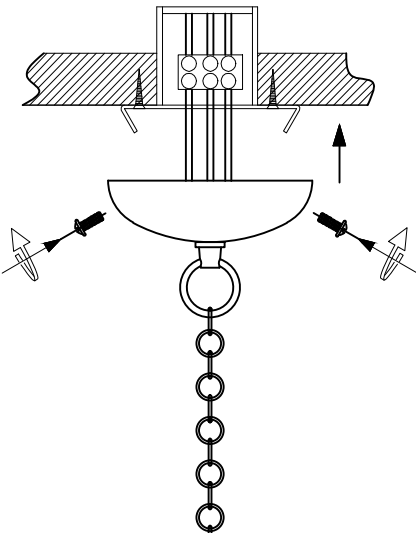
**Step 4**  
Light fitting flex Household circuit  
Blue or wire marked "N".....Connect to ....Black or blue(Neutral)  
Green/Yellow or wire marked "⊕".....Connect to ....Green/Yellow-sleeved Copper(Earth) ⊕  
Brown or wire marked "L".....Connect to ....Switched live



min. 20mm 5mm  
min. 25mm  
(Black/Blue)  
(Red/Brown)  
Plastic body  
Insulation tape  
Wire Insulation  
Metal connector

Connect the supply wires to the terminal block of the fitting as above diagram. Ensure that connections are tight and no loose strands of wire are left out of the connector blocks. This product must be earthed - if no earth wire(Green/Yellow wire) is available,consult an electrician.

**6**



**Step 6**  
Attach housing to the mounting strap using the two side screws and washers.

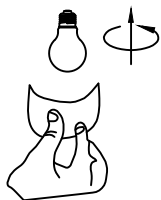
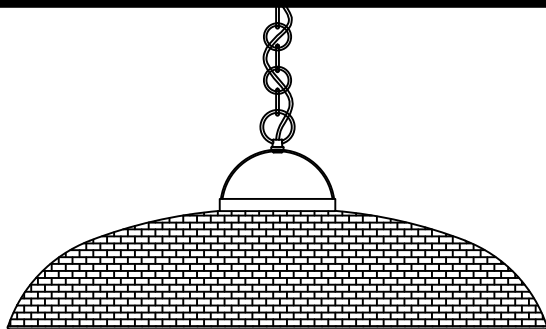
# NEXT

## ALBA RATTAN PEND

K92649

Assembly instructions

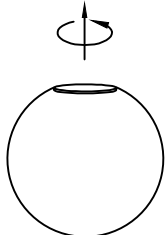
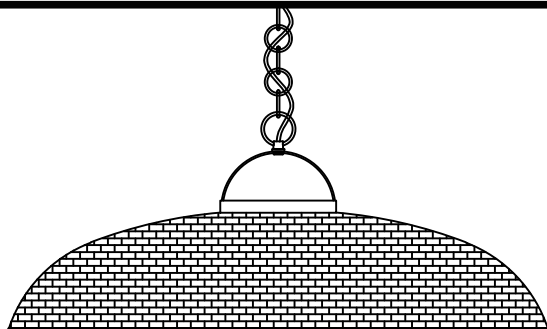
7



Bulb:  
Max 10W E27 LED

### Step 7

Screw bulb into lampholder. (Bulb not included)



### Step 8

Screw on the opal glass globe to the shade.

# NEXT

## Item K92649 ALBA RATTAN PEND

Instructions for repackaging

Thank you for purchasing this Next lighting product. We hope you will be delighted with your purchase, but in the event that you wish to return the product, please follow the repackaging instructions below.

