

NEXT

Thank you for shopping with us

NEXT

BLENHEIM 3 LIGHT FLUSH FITTING

K92690

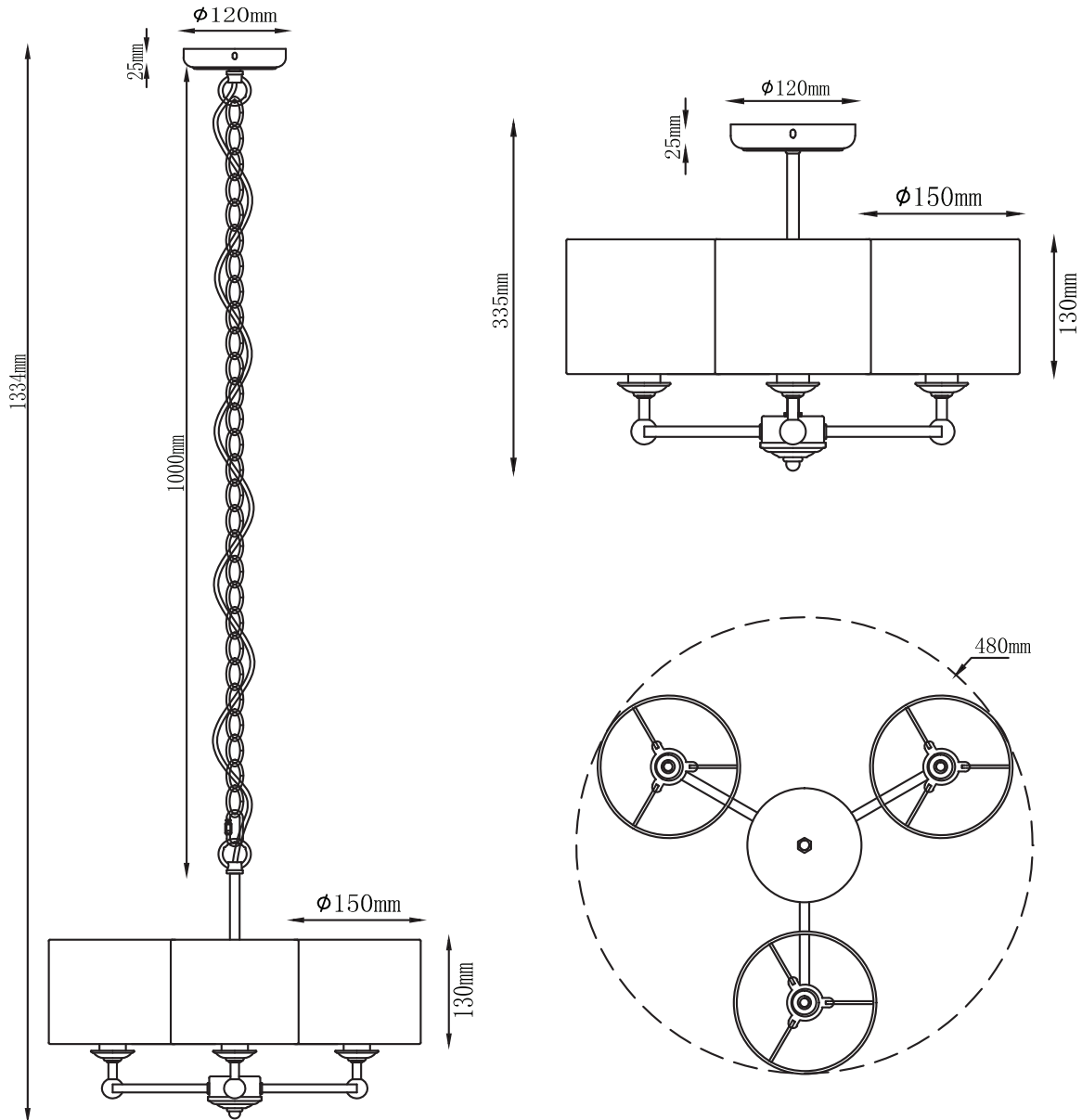
Assembly Instructions

Actual Product Size

Φ480*H1334mm

max / min drop

1334mm / 434mm



IMPORTANT - RETAIN FOR FUTURE REFERENCE

Need Help?

with: Assembly instructions,
missing or damaged parts

CALL:0333 777 8999

NEXT

BLENHEIM 3 LIGHT FLUSH FITTING

K92690

Assembly Instructions

BEFORE YOU START

Warnings

We suggest you retain these instructions for future reference

For your safety, this product must be installed in accordance with local Building Regulations. If in any doubt, or required by the law, consult a competent person who is registered with an electrician self-certification scheme. Further information is available online or from your Local Authority

This light is suitable for indoor use only

Light fittings should be connected to a 5 amp fused circuit

Before commencing installation, isolate the circuit to be used by removing the fuse or circuit breaker at the consumer distribution unit

IMPORTANT: The fixing point(s) and fixings must be capable of supporting the full weight of the light fitting.

The product must be securely fixed to the mounting surface using the screws supplied. The screws supplied are suitable for "masonry" only. Other fixings not supplied must be purchased.

Do's

We suggest you spend a short time reading through this leaflet before you start

When you are ready to start, make sure that you have the right tools and plenty of space

Unwrap all packaging materials and place the components on top of the carton box or on a clean floor to protect it from damage

We recommend that the packaging is used to protect the surfaces during assembly

Carefully check that you have all the parts before beginning assembly

Ensure the product is fully assembled as illustrated and all fixings fully tightened before use. Check fixings regularly to ensure they remain tight

Always switch off the supply before changing light bulbs or cleaning

Allow bulbs to cool down before handling

Use 3 x E14 Max 7W LED bulbs (bulb not included)

Don'ts

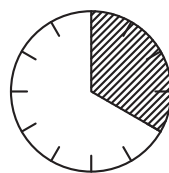
The fitting should not be fixed to newly painted or plastered surfaces as this may cause discolouration of the finish

We recommend cleaning with a soft dry cloth, do not use abrasive materials as these will rub away the protective coating.

Number of people required to assemble

One person who is competent with electrical wiring and installation, however we do recommend that this item is installed by a qualified electrician

Time to assemble



20mins

Tools required

Cross Head Screwdriver
Flat Screwdriver
Insulating Tape

Missing parts

If you are missing any fixtures and fittings for your product please contact our customer service team on 0333 777 8999 and they will be happy to help.

Cleaning Care

We recommend cleaning with a soft dry cloth. Do not use abrasive materials as these will rub away the protective coating.

Maintenance

To ensure your safety, if the cable becomes damaged it must be replaced only by a qualified person.

Safety information

For your safety, please remember the following:

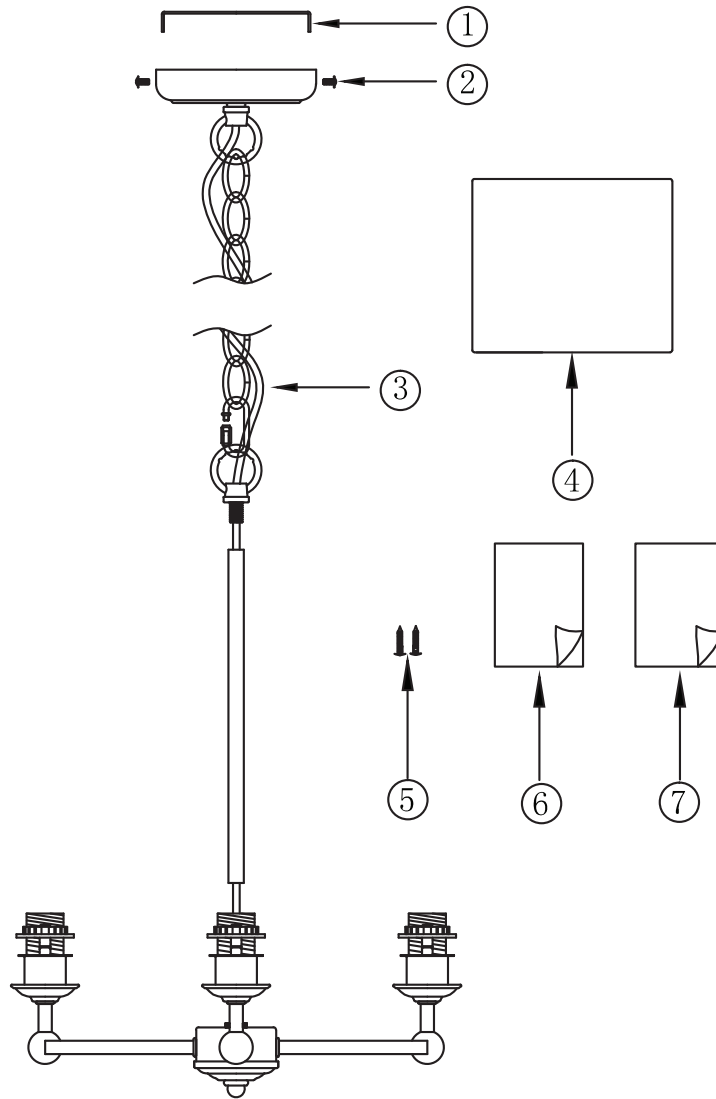
- Always switch off the power supply before changing light bulbs or cleaning .
- Allow bulbs to cool down before handling.

You can write to us at

Home Customer Services
Next Retail Ltd,
Desford Road,
Leicester,
LE19 4AT
or
Next Retail (Ireland) Ltd,
13-18 City Quay,
Dublin 2,
D02 ED70

To view our full range please visit
www.next.co.uk

GETTING TO KNOW YOUR PRODUCT



Ref	Description	Specification	Qty	Remark
1	Fixing bracket	L115*W20*H15MM	1	Attached on light fitting
2	Fixing bracket screws	M4*L10MM	2	Attached on light fitting
3	Light fitting		1	Packed in carton
4	Lamp shades	Φ150*H130MM	3	Packed in carton
5	Fixing screws	L38MM	2	Packed in fixing pack
6	Assembly instructions	A3 X 2	1	Packed in fixing pack
7	Re-package instructions	A4 X 1	1	Packed in fixing pack

NEXT

BLENHEIM 3 LIGHT FLUSH FITTING

K92690

Assembly Instructions

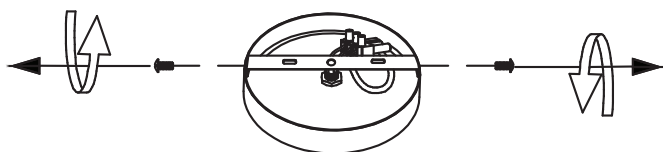
THIS PRODUCT IS DUAL MOUNTABLE

Follow steps 1 - 6 to fit the product with the chains

Follow steps A - H to fit the product as a Flush Light

** Please be aware if you cut the electrical cable once you convert the light to a flush fitting you are not able to add the full length of the chains back on

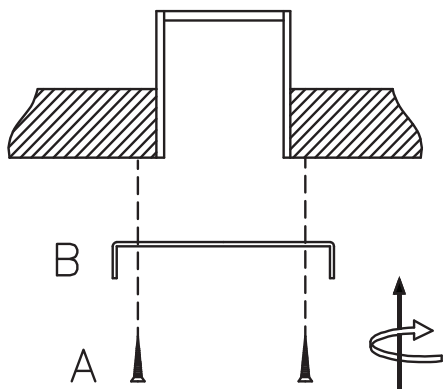
1



Step 1

Using the fixing bracket as a guide, mark screw positions on the ceiling. Make sure the area is free of any hidden wires, water or gas pipes.

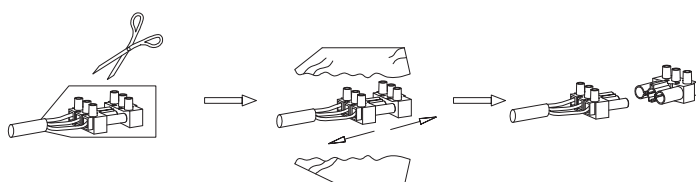
2



Step 2

Attach fixing bracket to the ceiling using screws supplied.

3



Step 3

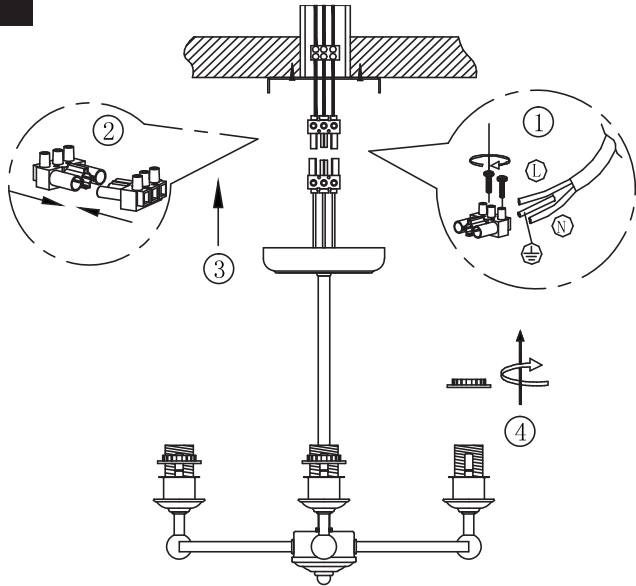
When you are ready to connect your fitting to the electricity supply, carefully remove any clear plastic sleeve around the terminal block using a pair of scissors. Take care not to damage the wiring or terminal block while removing the sleeve. Then separate the female part from the male part and retain it for later use.

NEXT BLENHEIM 3 LIGHT FLUSH FITTING

K92690

Assembly Instructions

G

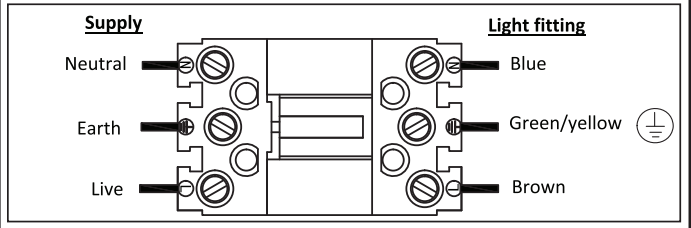


Step G

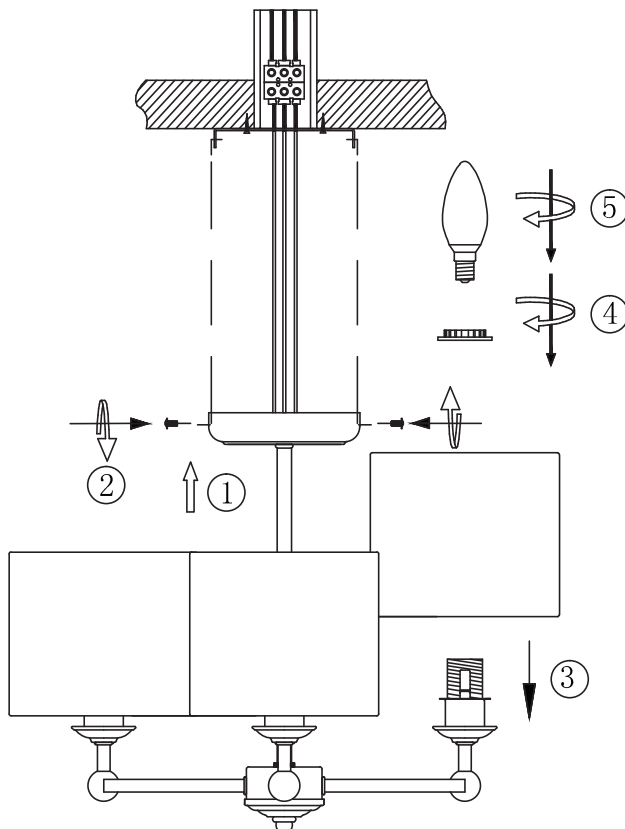
First, connect the wires from building to the side of the terminal block shown in step 1. Ensure that the wires are correctly paired, following the diagram below, and ensure that connections are tight and that no loose strands are left out of the connectors.

Whilst supporting the weight of the light, firmly push the two parts of the terminal block together so that they are securely connected.

Remove the shade rings from lampholders.



H



Step H

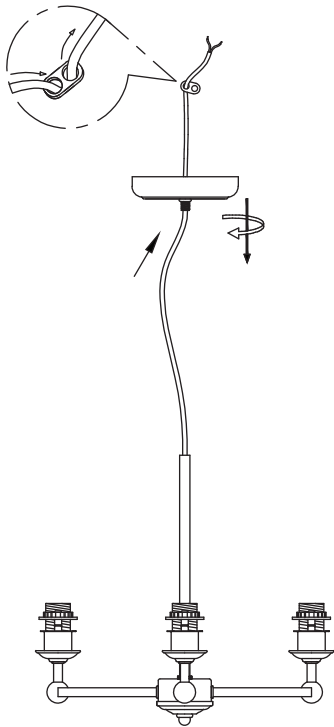
Attach ceiling plate to the fixing bracket using fixing bracket screws. Put on the lamp shades and secure into position with the shade rings. Fit the bulbs. Do not exceed the stated maximum wattage.

NEXT BLENHEIM 3 LIGHT FLUSH FITTING

K92690

Assembly Instructions

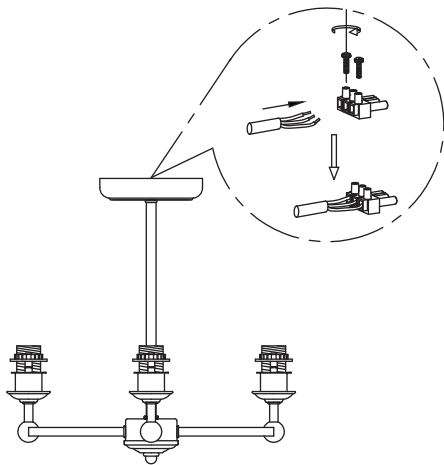
D



Step D

Attach on the ceiling cup and cable S. Move the cable S grip down the cable so that it is flush inside the ceiling plate.

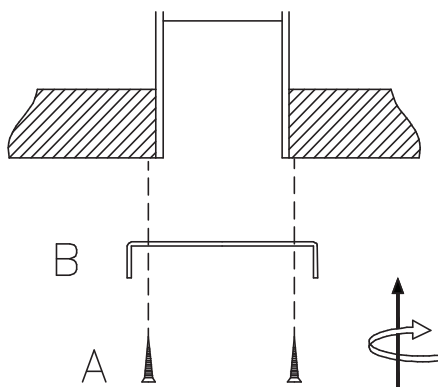
E



Step E

Connect the terminal block.

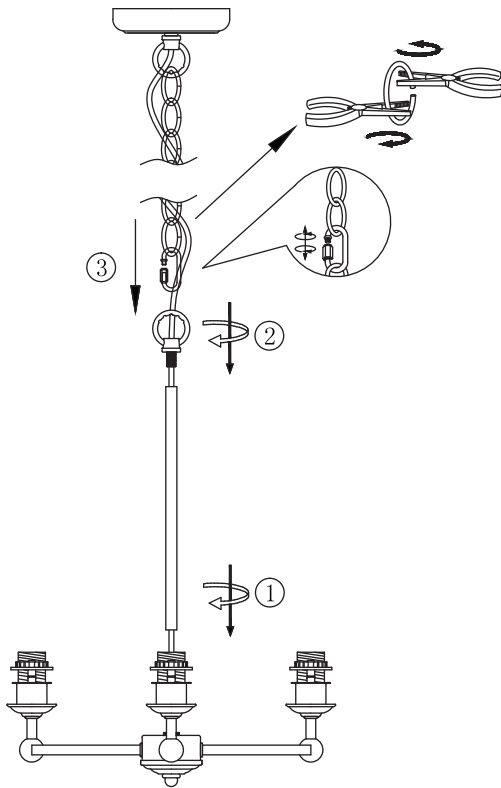
F



Step F

Using the fixing bracket as a guide, mark screw positions on the ceiling. Make sure the area is free of any hidden wires, water or gas pipes. Attach fixing bracket to the ceiling using screws supplied.

4

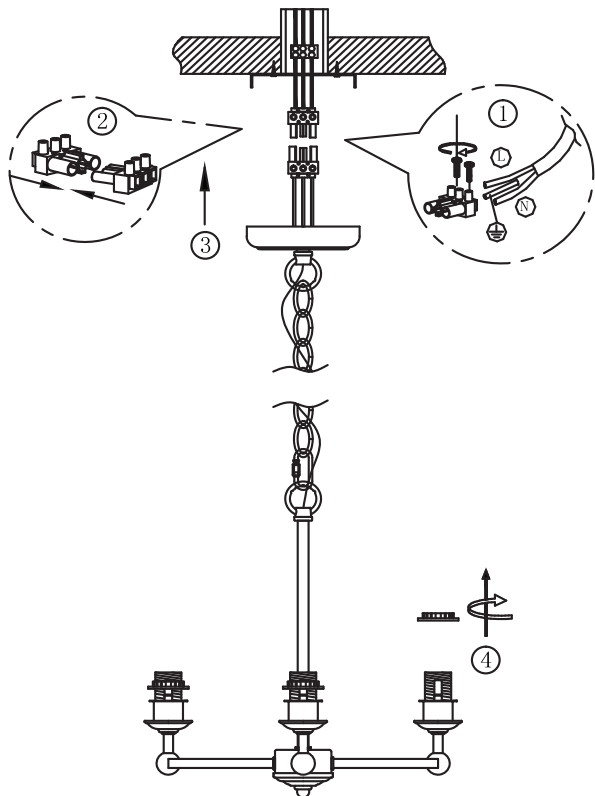


Step 4

Screw the metal tube onto housing, then tighten the chain ring. The height of the fitting can be adjusted by removing chain links and shortening the cable accordingly. Using 2x sets of pliers at either end of the ring, twist in opposite directions to remove the chain rings.

Open the quick link by screw down the nut on the link and assemble the chain link on it. Then screw the nut back on the quick link, ensure the nut is fully tightened (as diagram shown).

5

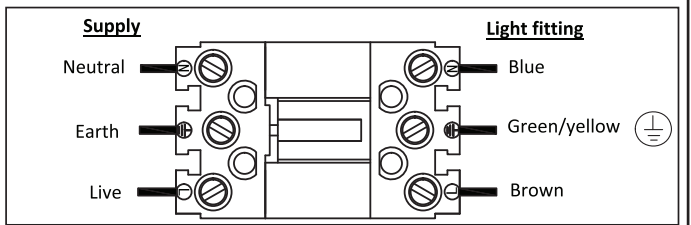


Step 5

First, connect the wires from building to the side of the terminal block shown in step 1. Ensure that the wires are correctly paired, following the diagram below, and ensure that connections are tight and that no loose strands are left out of the connectors.

Whilst supporting the weight of the light, firmly push the two parts of the terminal block together so that they are securely connected.

Remove the shade rings from lampholders.

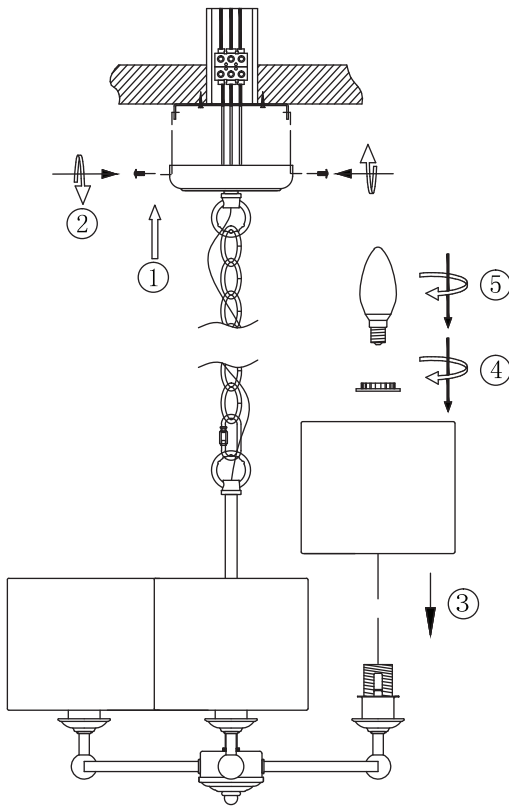


NEXT BLENHEIM 3 LIGHT FLUSH FITTING

K92690

Assembly Instructions

6

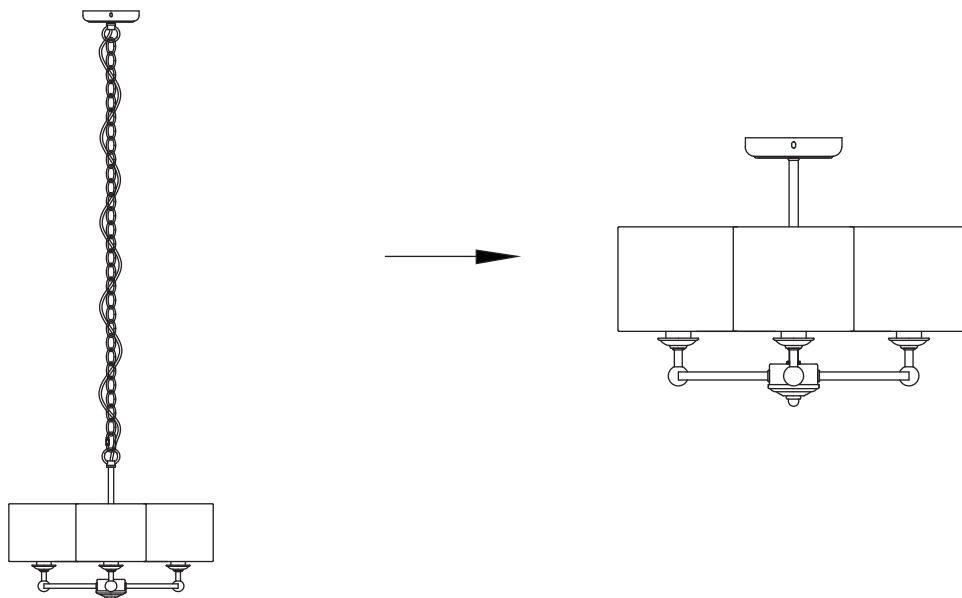


Step 6

Attach ceiling plate to the fixing bracket using fixing bracket screws. Put on the lamp shades and secure into position with the shade rings. Fit the bulbs. Do not exceed the stated maximum wattage.

Instructions to convert light to a Flush Fitting

**** Please be aware if you cut the electrical cable once you convert the light to a flush fitting you are not able to add the full length of the chains back on**



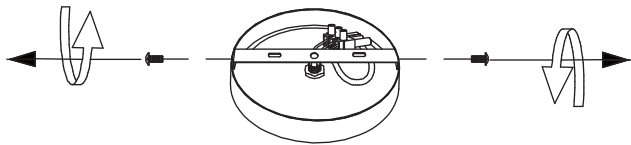
BLENHEIM 3 LIGHT FLUSH FITTING

NEXT

K92690

Assembly Instructions

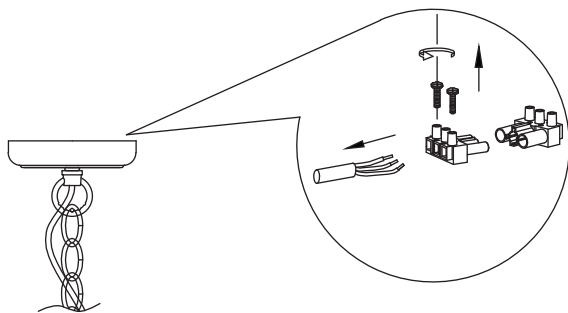
A



Step A

Remove the fixing bracket from the ceiling cup.

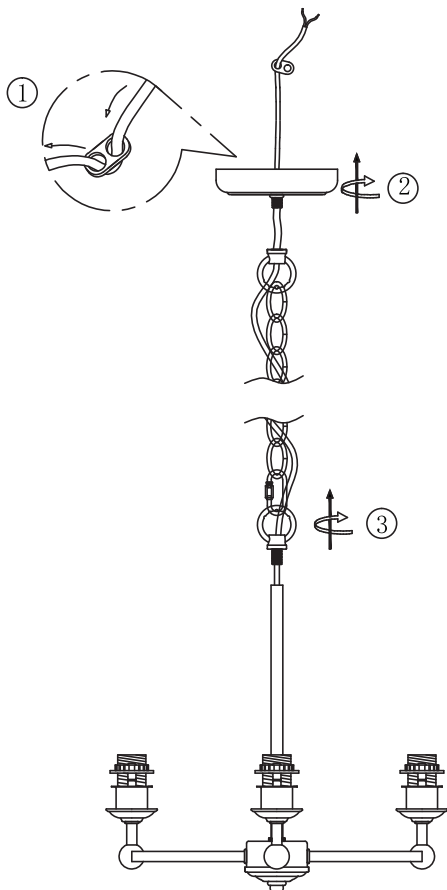
B



Step B

Remove the terminal block. Then separate the female part from the male part and retain it for later use.

C



Step C

Remove the cable S, unscrew the ceiling cup and the whole chain links then taking out all of them from the lamp body.