

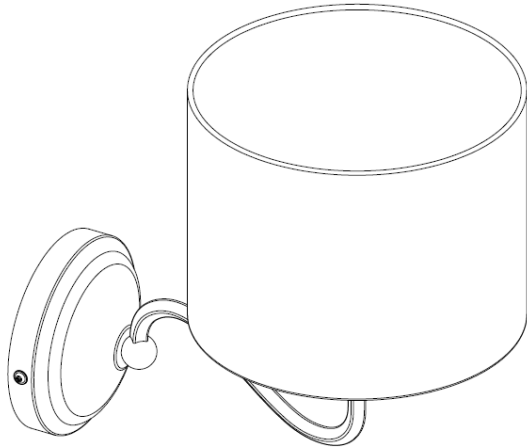
# NEXT

## BURFORD BLACK WALL LAMP

K92708

Assembly instructions

**Actual product size:**  
H25.5 x W27.2 x D18cm



### Need Help?

With: Assembly instructions  
Missing or damaged parts

**CALL: 0333 777 8999**



**IMPORTANT – RETAIN FOR FUTURE REFERENCE**

# NEXT

## BURFORD BLACK WALL LAMP

K92708

Assembly instructions

### BEFORE YOU START

#### Warnings

We suggest you retain these instructions for future reference

For your safety, this product must be installed in accordance with local Building Regulations. If in any doubt, or required by the law, consult a competent person who is registered with an electrician self-certification scheme. Further information is available online or from your Local Authority

This light is suitable for indoor use only

Light fittings should be connected to a 5 amp fused circuit

Use Max 240 Volts 7 Watt E14 Bulb (Not included)

Before commencing installation, isolate the circuit to be used by removing the fuse or circuit breaker at the consumer distribution unit

#### Do's

We suggest you spend a short time reading through this leaflet before you start

When you are ready to start, make sure that you have the right tools and plenty of space

Unwrap all packaging materials and place the components on top of the carton box or on a clean floor to protect it from damage

We recommend that the packaging is used to protect the surfaces during assembly

Carefully check that you have all the parts before beginning assembly

Ensure the product is fully assembled as illustrated and all fixings fully tightened before use. Check fixings regularly to ensure they remain tight

Always switch off the supply before changing light bulbs or cleaning

Allow bulbs to cool down before handling

#### Don'ts

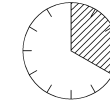
The fitting should not be fixed to newly painted or plastered surfaces as this may cause discolouration of the finish

We recommend cleaning with a soft dry cloth, do not use abrasive materials as these will rub away the protective coating

#### Number of people required to assemble

One person who is competent with electrical wiring and installation, however we do recommend that this item is installed by a qualified electrician

#### Time to assemble



**20 mins**

#### Tools required



Cross Head Screwdriver (Not supplied)



Flat Screwdriver (Not supplied)



Insulating Tape (Not supplied)



Scissors (Not supplied)

#### Missing parts

If you are missing any fixtures and fittings for your product please contact our customer service team on 0333 777 8999 and they will be happy to help.

#### Cleaning Care

We recommend cleaning with a soft dry cloth. Do not use abrasive materials as these will rub away the protective coating.

#### Safety information

- For your safety, please remember the following:
- Always switch off the power supply before changing lightbulbs or cleaning
  - Allow bulbs to cool down before handling.

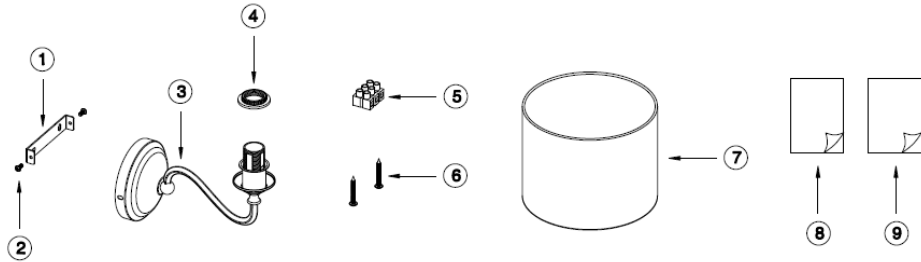
#### You can write to us at

Home Customer Services  
Next Retail Ltd,  
Desford Road,  
Leicester,  
LE19 4AT

Next retail (Ireland) Ltd  
13-18 City Quay,  
Dublin 2,  
D02 ED70

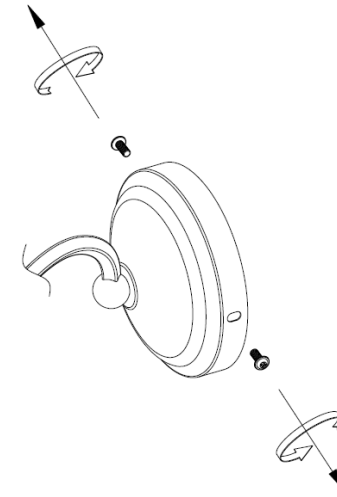
**To view our full range please visit  
[www.next.co.uk](http://www.next.co.uk)**

### GETTING TO KNOW YOUR PRODUCT



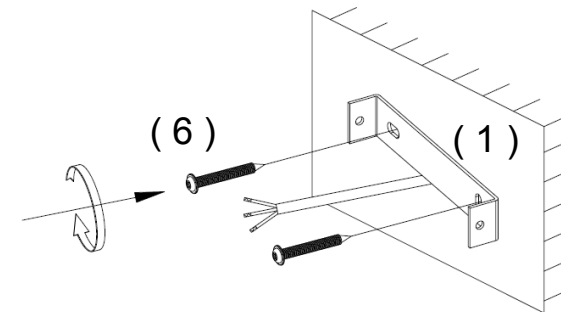
Ref	Description	Specification	Qty	Remark
1	Fixing bracket	L106 x W20 x H13mm	1	Attached on light fitting
2	Screw	PWM4 x 8mm	2	Attached on light fitting
3	Light fitting	H25.5 x W27.2 x D18cm	1	Package in carton
4	Shade ring	E14	1	Attached on light fitting
5	Terminal block	PA7	1	Package in fixing pack
6	Screw	PA4 x 35mm	2	Package in fixing pack
7	Lampshade	D180 x H140mm	1	Package in carton
8	Assembly instructions	A5	1	Package in fixing pack
9	Re-package instructions	A4	1	Package in fixing pack

1



Step 1:  
- Remove the fixing bracket.

2

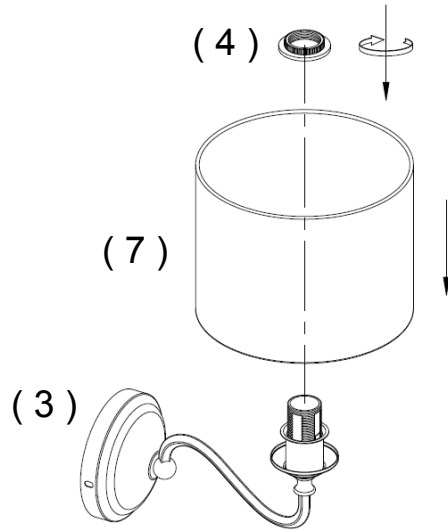


Step 2:  
- Attach the fixing bracket to the wall.  
- Ensure the screws penetrate a wall joist by at least 25mm.

# NEXT BURFORD BLACK WALL LAMP

K92708  
Assembly instructions

3

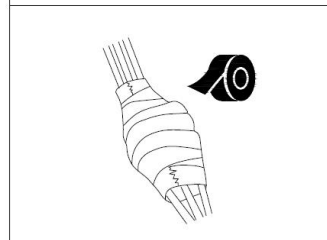
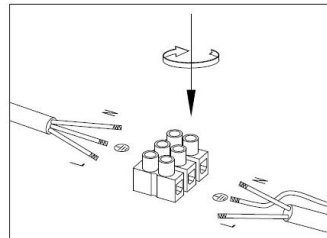
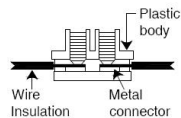
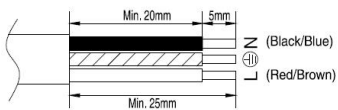


Step 3:  
- Attach the lampshade to the lampholder. Screw the lampshade ring to the lampholder.

4

## Light fitting flex      Household circuit

Blue or wire marked "N".....Connect to....Black or Blue (Neutral)  
Green/Yellow or wire marked "⊕".....Connect to....Green/Yellow-sleeved Copper (Earth) ⊕  
Brown or wire marked "L".....Connect to....Switched live

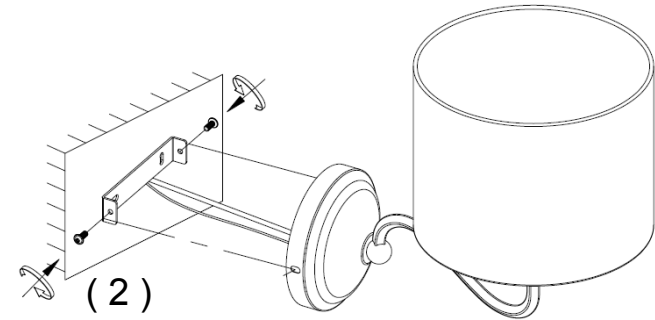


- When you are ready to connect your fitting to the electricity supply, carefully remove any clear plastic sleeve around the terminal block using a pair of scissors. Take care not to damage the wiring or terminal block while removing the sleeve.
- Connect the supply wires to the terminal block of the fitting as above diagram.
- Ensure that connections are tight and that no loose strands are left out of the connectors. Cover the connectors with two layers of good quality electrical insulation tape continuing at least 3cm either side of the connector block.
- This product must be earthed – if no earth wire (Green/Yellow wire) is available, consult an electrician.

# NEXT BURFORD BLACK WALL LAMP

K92708  
Assembly instructions

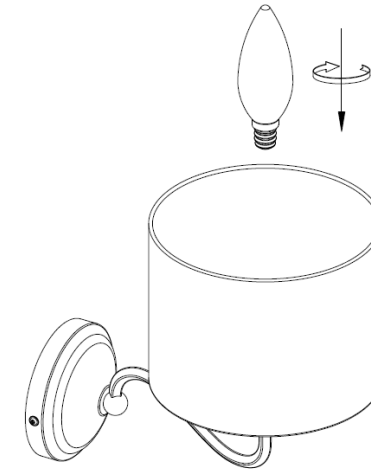
5



Step 5:  
- Tighten the screw to fix the canopy to the wall.

6

## Bulb not included



Step 6:  
- Screw the bulb to the lampholder. Use Max 240 Volts 7 Watt E14 Bulb.

**NEXT**

# BURFORD BLACK WALL LAMP

K92708

Assembly instructions

**Actual product size:**  
H25.5 x W27.2 x D18cm

