

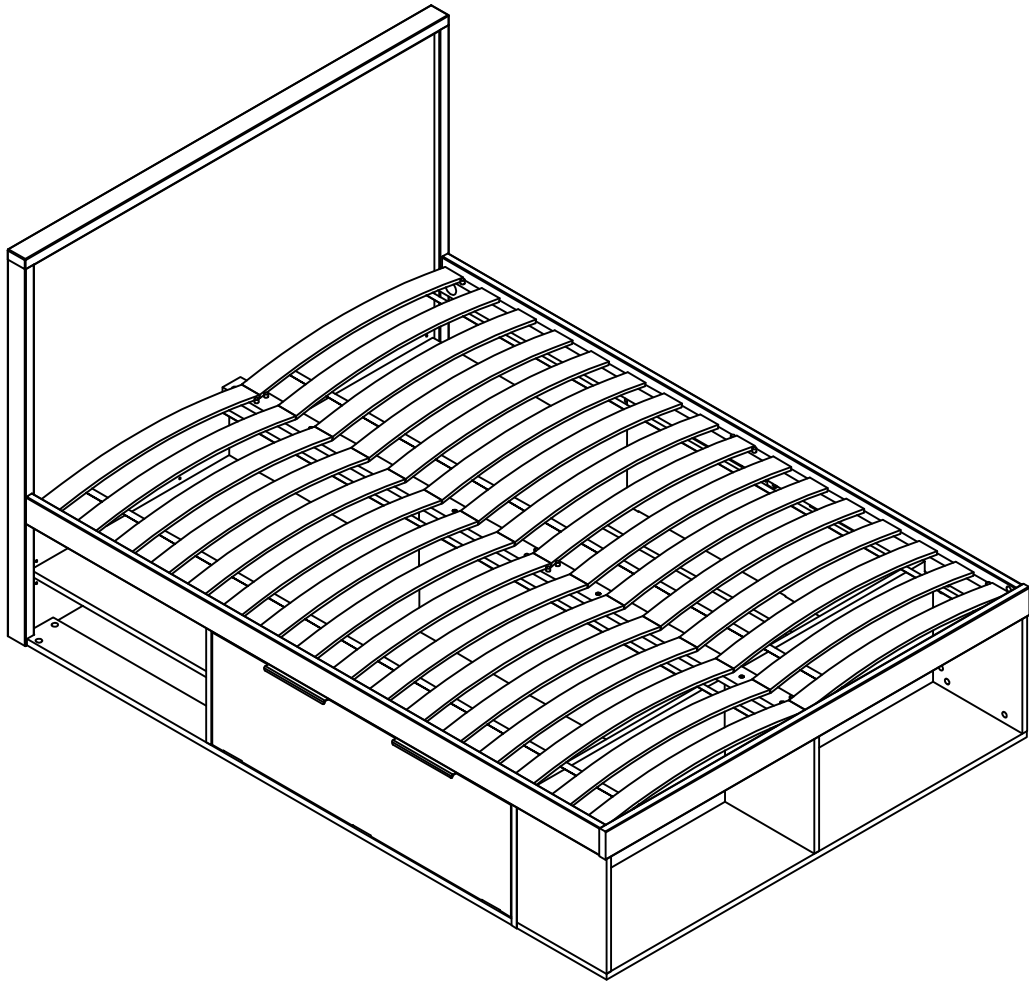
next

BRONX GREY LOFT STORAGE BED
M20525
Assembly instructions

Actual product size

DOUBLE: H112 x W200 x D142cm

KING: H112 x W210 x D157cm



Need Help ?

With: Assembly instruction
Missing or damaged parts

IMPORTANT - RETAIN FOR FUTURE REFERENCE

CALL: 0333 777 8999

BEFORE YOU START

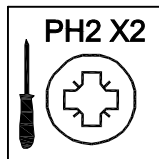
Number of people required to assemble

Two people are required to assemble this item



Time to assemble : 1 hour

Tools required



not supplied

Do's

We suggest you spend a short time reading through this leaflet before you start.

When you are ready to start, make sure that you have the right tools and plenty of space.

Unwrap all packaging materials and place the components on a clean surface to protect it from damage, We recommend that the packaging is used to protect the surfaces during assembly.

Carefully check that you have all the parts before beginning assembly.

Due to the size of this product we recommend that it is assembled in the room intended for use.

Ensure the product is fully assembled as illustrated and all fixings fully tightened before use.

Wipe occasionally with a soft cloth slightly dampened with water. Then buff with a dry clean soft cloth.

Wood will mellow and change colour over time, we recommend that ornaments and items placed on the surface are moved regularly for the first few months to prevent uneven mellowing.

Don'ts

Do not drag or pull your furniture.

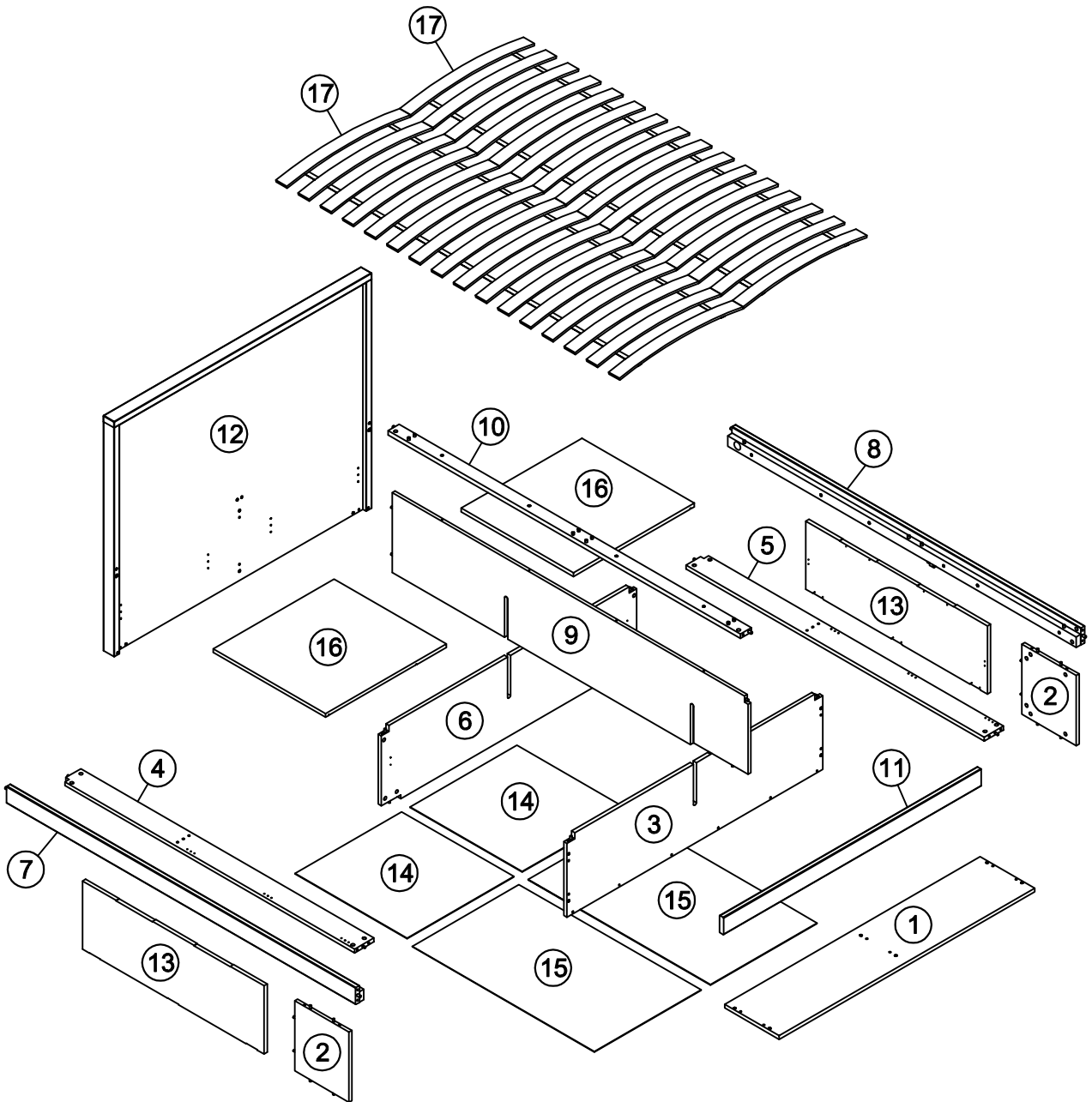
Do not rub or scrub the surface when cleaning.

Do not use silicone based furniture polish. Silicone in furniture polishes can break down the finish.

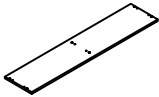
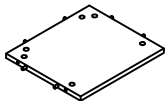
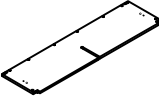
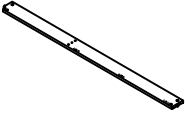
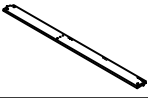
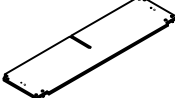


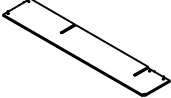
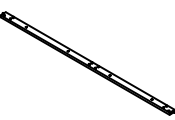
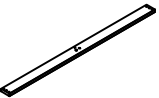

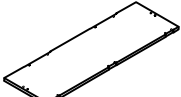
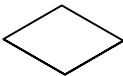
Never allow any kind of liquid to remain on your furniture. Absorption can cause wood to warp or finishes to de-laminate.

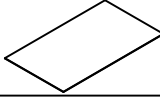
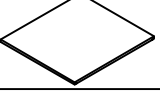

Do not place hot items (e.g. hot drinks) directly on to the wood surface. Please make sure you use a placemat or coaster.

GETTING TO KNOW YOUR PRODUCT

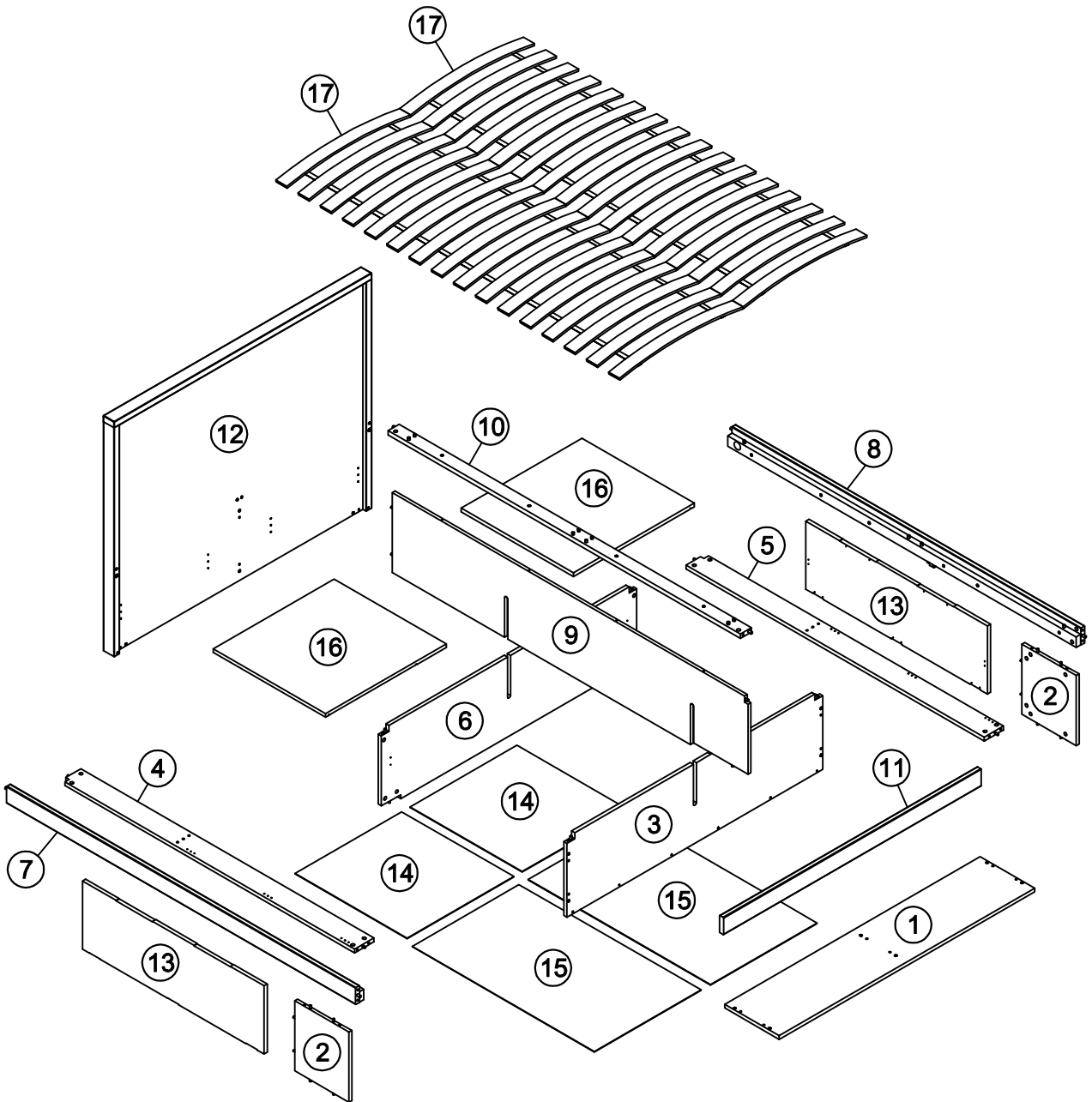


Components supplied. Please use this guide if you require replacement parts.

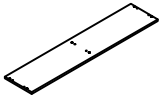
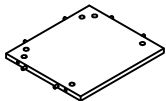
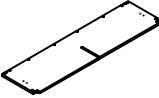
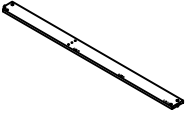
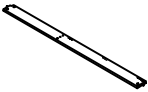
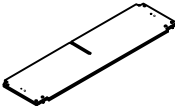


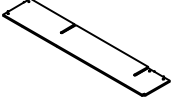
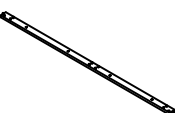
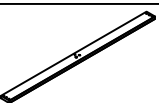

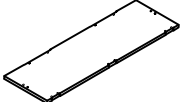
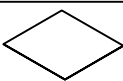
Ref	Dimensions	Visual	Qty	Ctn
1	30x140.5cm		1	2
2	30x33.5cm		2	2
3	38x141cm		1	1
4	10.5x164cm		1	1
5	10.5x164cm		1	1
6	38x140.5cm		1	1
7	8x192cm		1	1
8	8x192cm		1	1
9	38x196cm		1	1
10	6x194cm		1	1
11	8x141.5cm		1	2
12	112x142cm		1	2
13	32.5x100cm		2	2
14	59x61.5cm		2	2

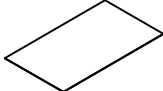
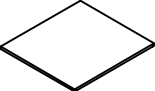

Ref	Dimensions	Visual	Qty	Ctn
15	59x100.5cm		2	2
16	61.5x66.5cm		2	2
17	6x68cm		32	1

GETTING TO KNOW YOUR PRODUCT



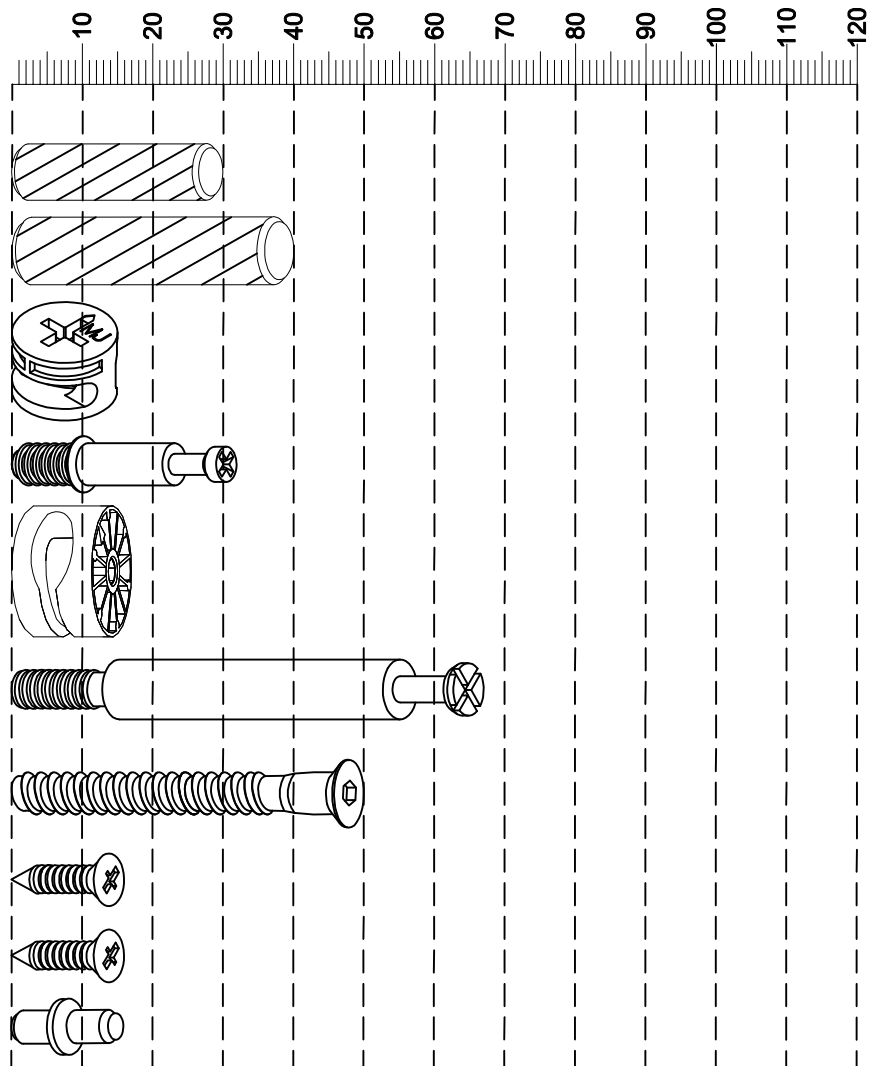
Components supplied. Please use this guide if you require replacement parts.

Ref	Dimensions	Visual	Qty	Ctn
1	30x155.5cm		1	1
2	30x33.5cm		2	1/3
3	38x156cm		1	1
4	10.5x174cm		1	2
5	10.5x174cm		1	2
6	38x155.5cm		1	1
7	8x202cm		1	2
8	8x202cm		1	2
9	38x206cm		1	2
10	6x204cm		1	2
11	8x156.5cm		1	1
12	112x157cm		1	3
13	32.5x105.5cm		2	1/3
14	66x66cm		2	3

Ref	Dimensions	Visual	Qty	Ctn
15	66x106cm		2	3
16	74x66.5cm		2	3
17	6x76cm		32	1

Fixtures and fittings supplied (actual size)

Ref	Dimensions	Qty	Spare Qty
D6	Ø8 x 30mm	N/A	2
D9	Ø10 x 40mm	N/A	1
B4	Ø15 x 12mm	38	2
B12	Ø7.5 x 33mm	38	2
B25	Ø35 x 17mm	2	N/A
B24	Ø8.5 x 63mm	2	N/A
Y8	Ø6 x 50mm	10	2
U123	Ø4 x 16mm	16	2
U121	Ø4 x 16mm	42	2
P3	Ø5 x 16mm	8	1



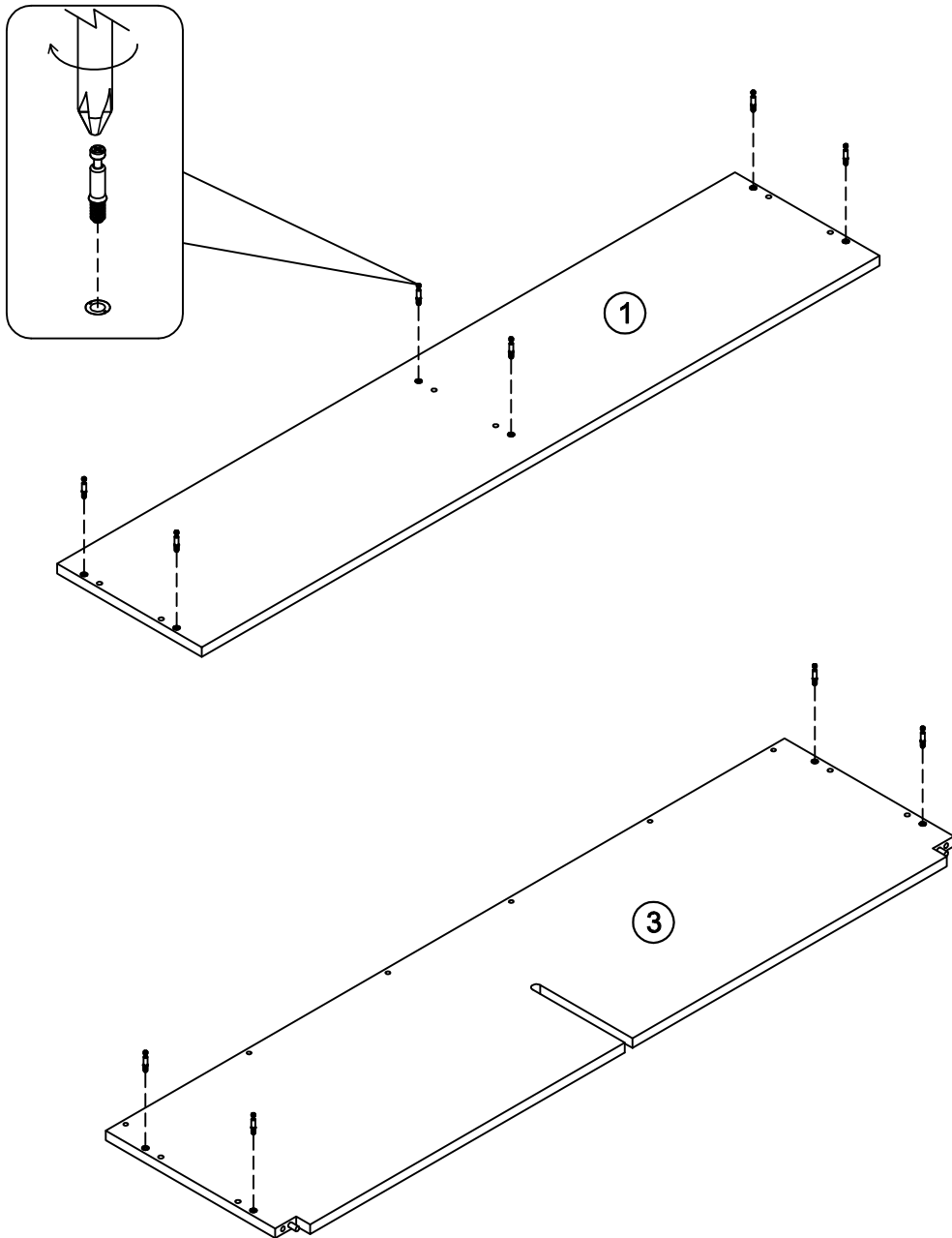
Fixtures and fittings supplied (not to scale)

Ref	Dimensions	Qty	Spare Qty	Visual
H38	N/A	4	N/A	
H29	N/A	6	N/A	
E39	N/A	4	N/A	

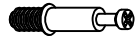
Fixtures and fittings supplied (not to scale)

Ref	Dimensions	Qty	Spare Qty	Visual
T1	N/A	2	N/A	
T7	N/A	1	N/A	
O1	Ø21mm	30	2	

1



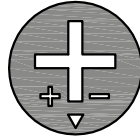
B12 Ø7.5 x 33mm 10



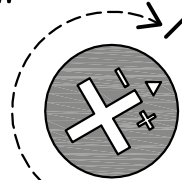
2

DON'T STOP UNTIL THE 2 O'CLOCK LOCK

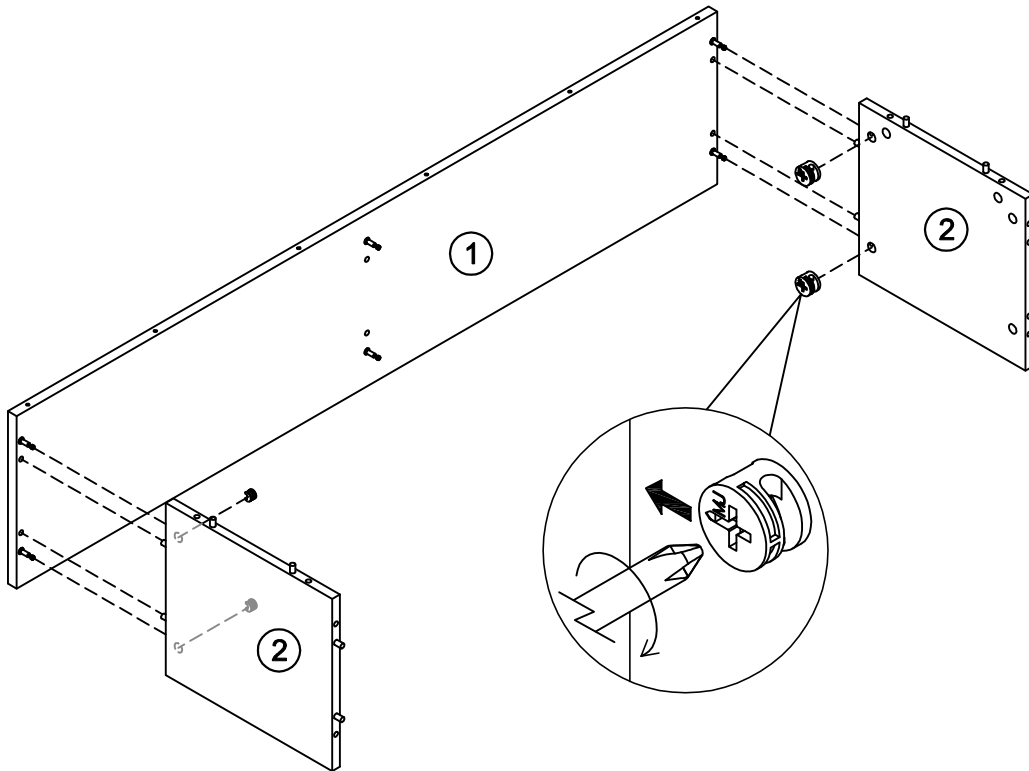
TURN THE CAM IN A CLOCKWISE DIRECTION UNTIL THE ARROW POINTS IN THE POSITIONS SHOWN IN THE DIAGRAMS BELOW



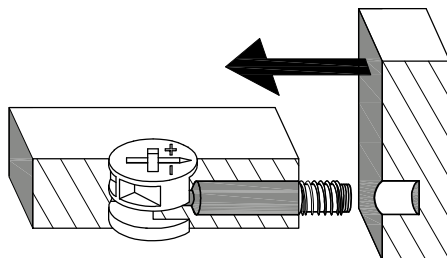
START



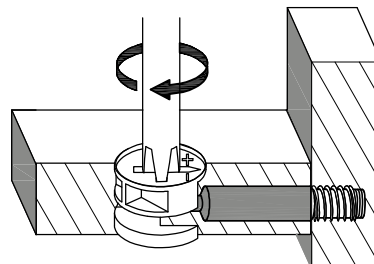
CORRECT LOCK



PUSH THE TWO PANELS TOGETHER ALLOWING THE DOWEL TO ALIGN WITH THE HOLE



TURN THE CAM IN A CLOCKWISE DIRECTION







B4 Ø15 x 12mm

4

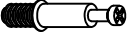



not supplied

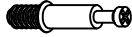



3

B4	Ø15 x 12mm	4		 not supplied
T1	N/A	2		
Y8	Ø6 x 50mm	6		



4

B12	Ø7.5 x 33mm	4		 not supplied
-----	-------------	---	---	---

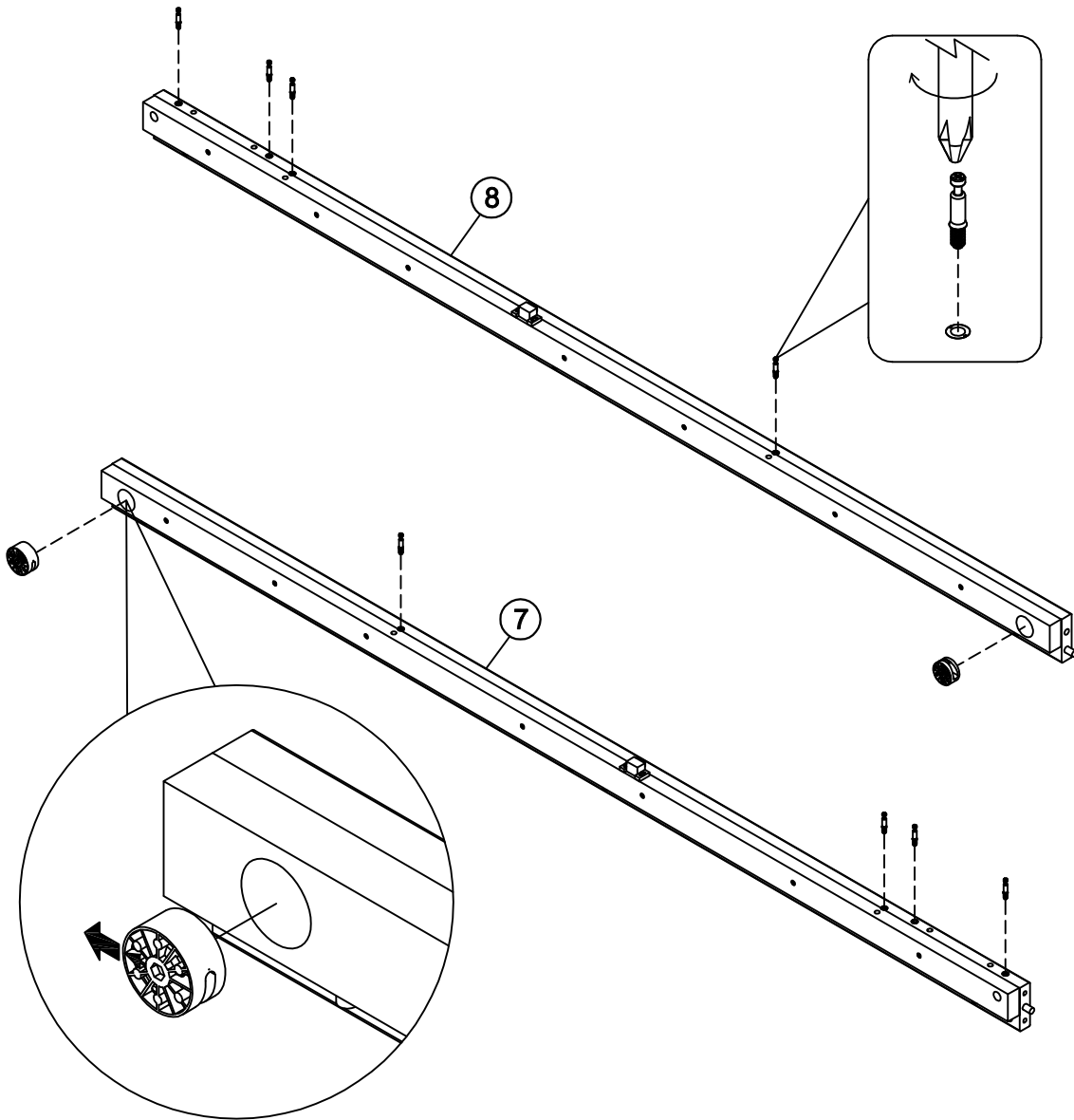
5


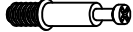

B12	Ø7.5 x 33mm	4		 not supplied
B4	Ø15 x 12mm	4		 not supplied

6

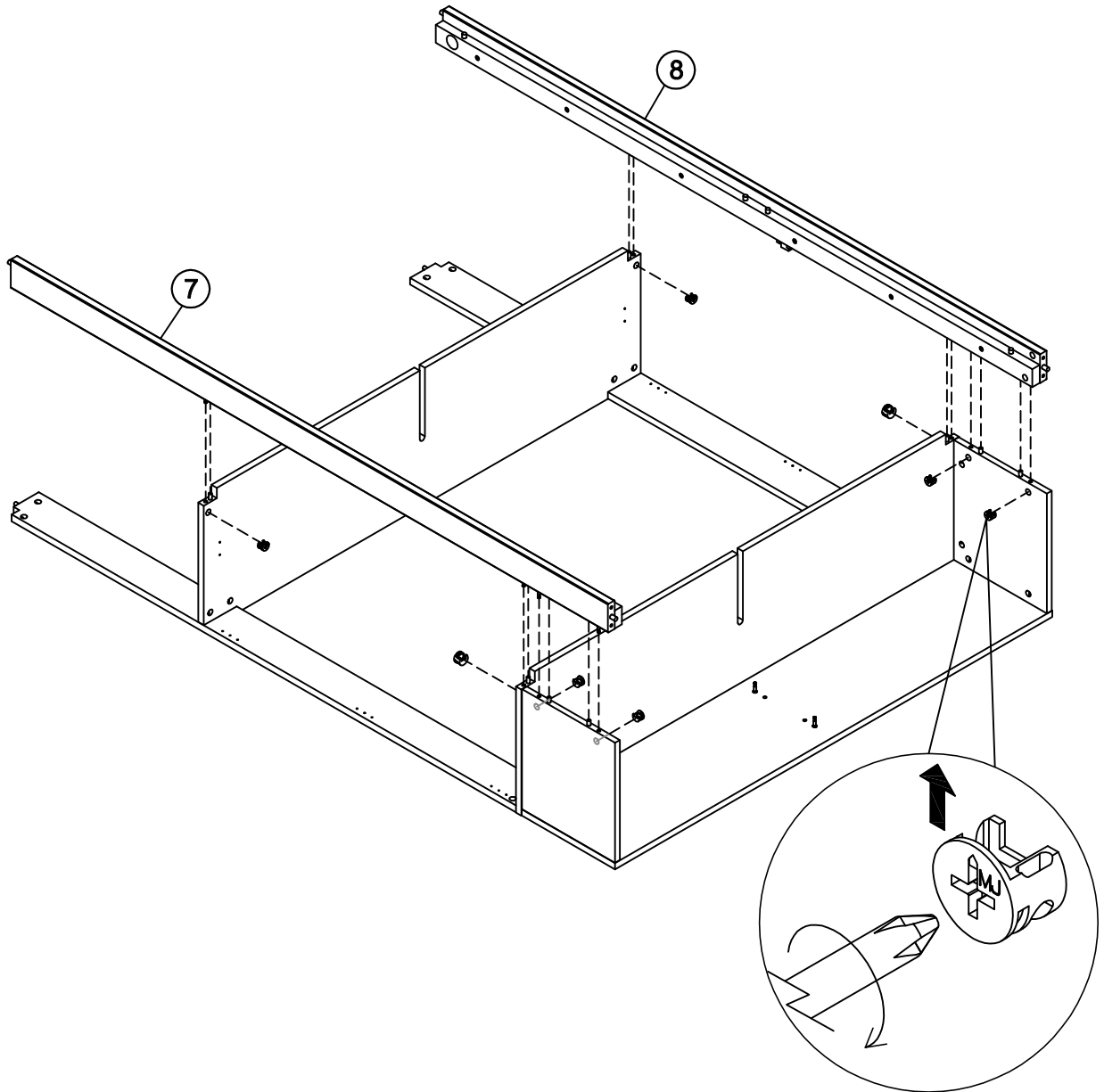
B4	Ø15 x 12mm	4		 not supplied
----	------------	---	---	---

7



B25	Ø35 x 17mm	2	
B12	Ø7.5 x 33mm	8	 

8



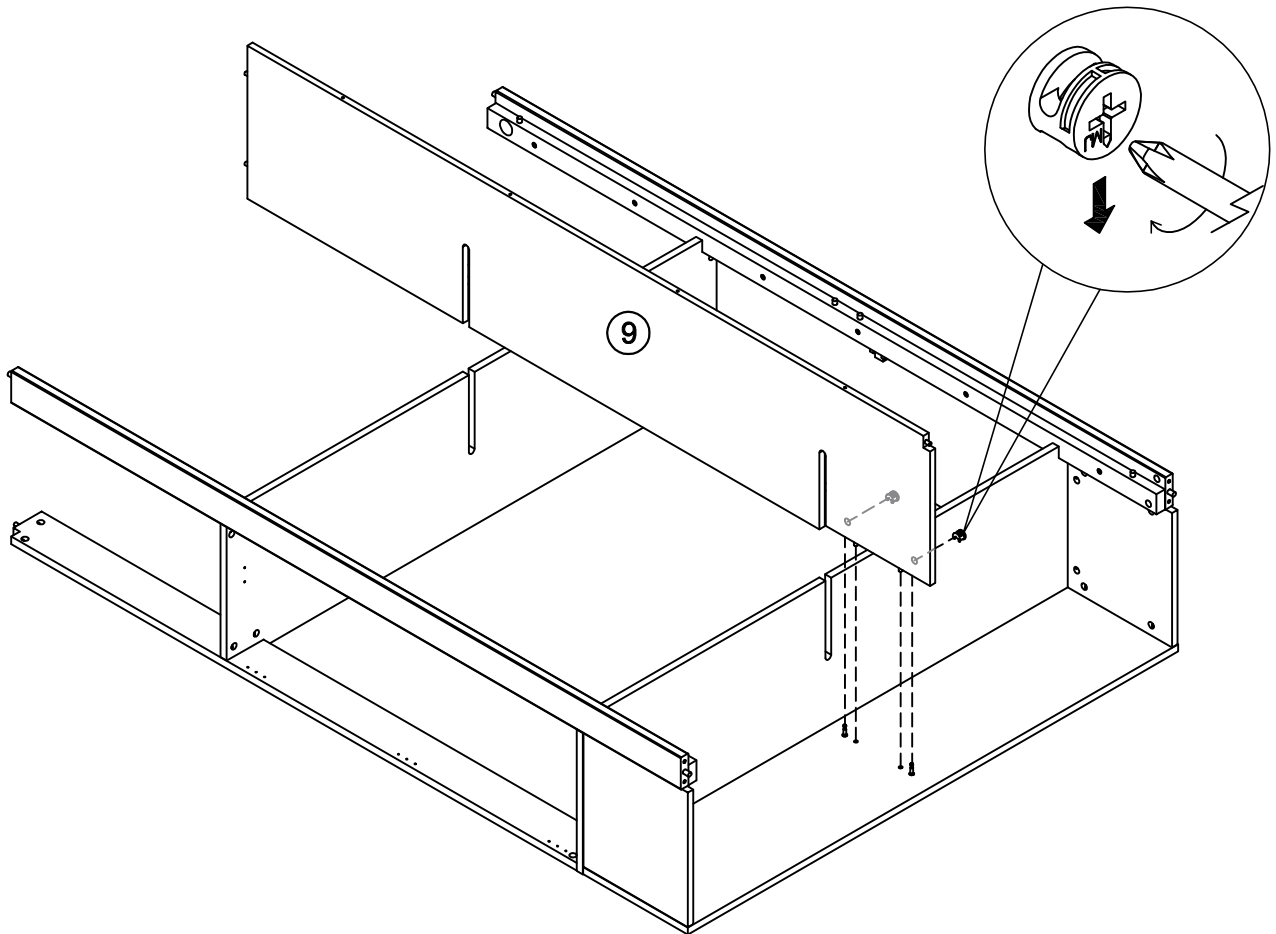
B4

Ø15 x 12mm

8



9



B4

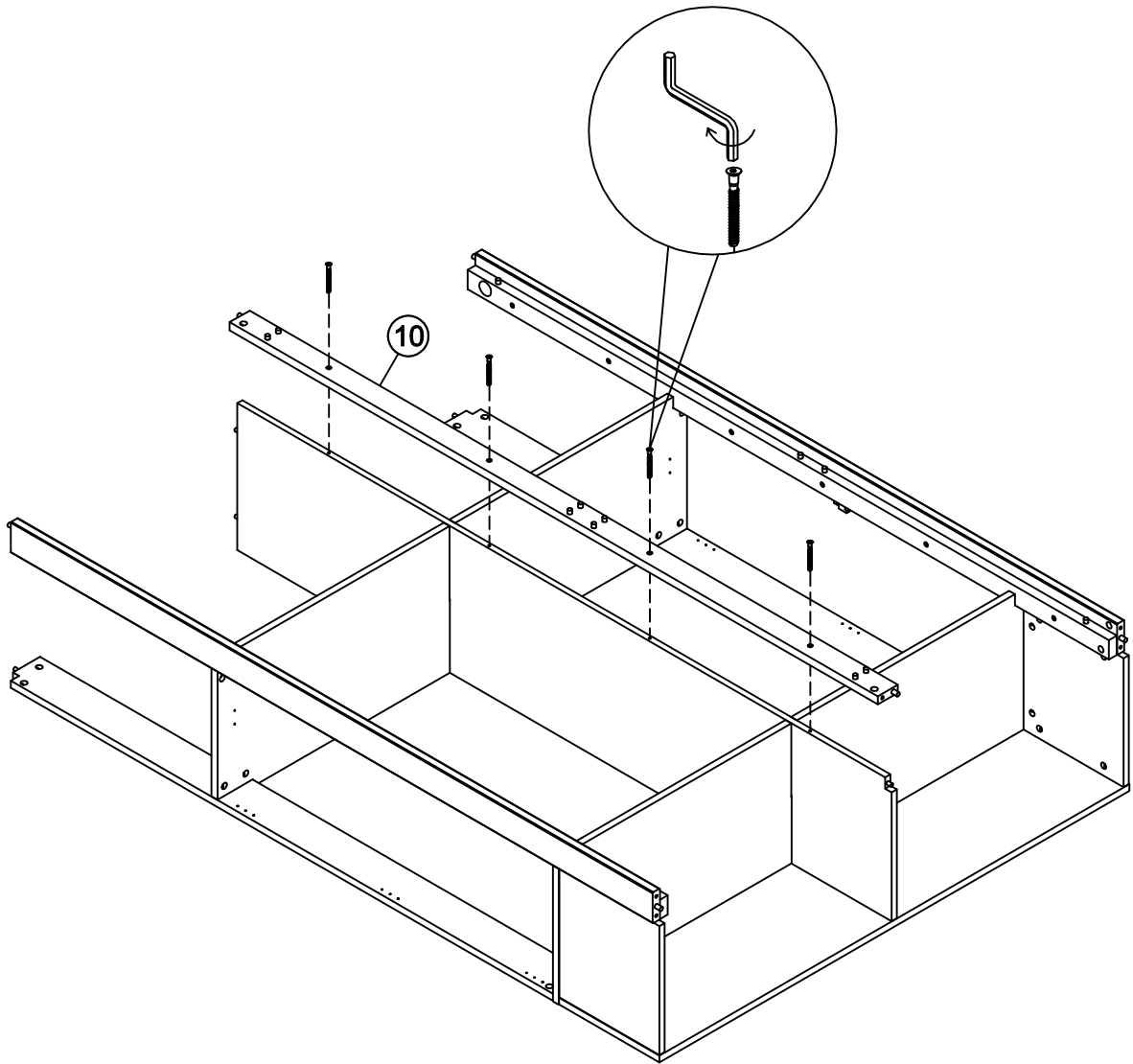
Ø15 x 12mm



2



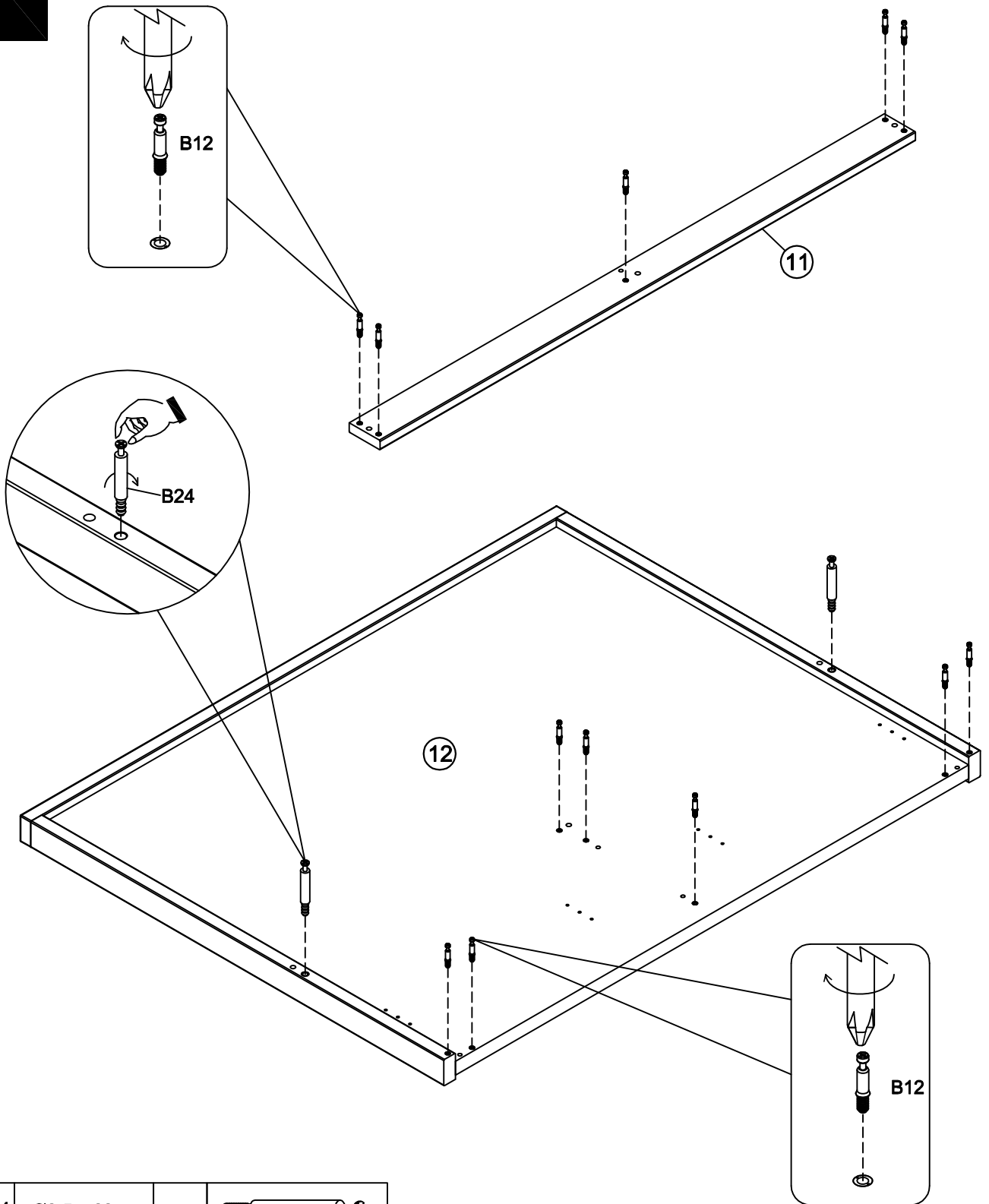
not supplied

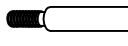
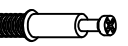

10



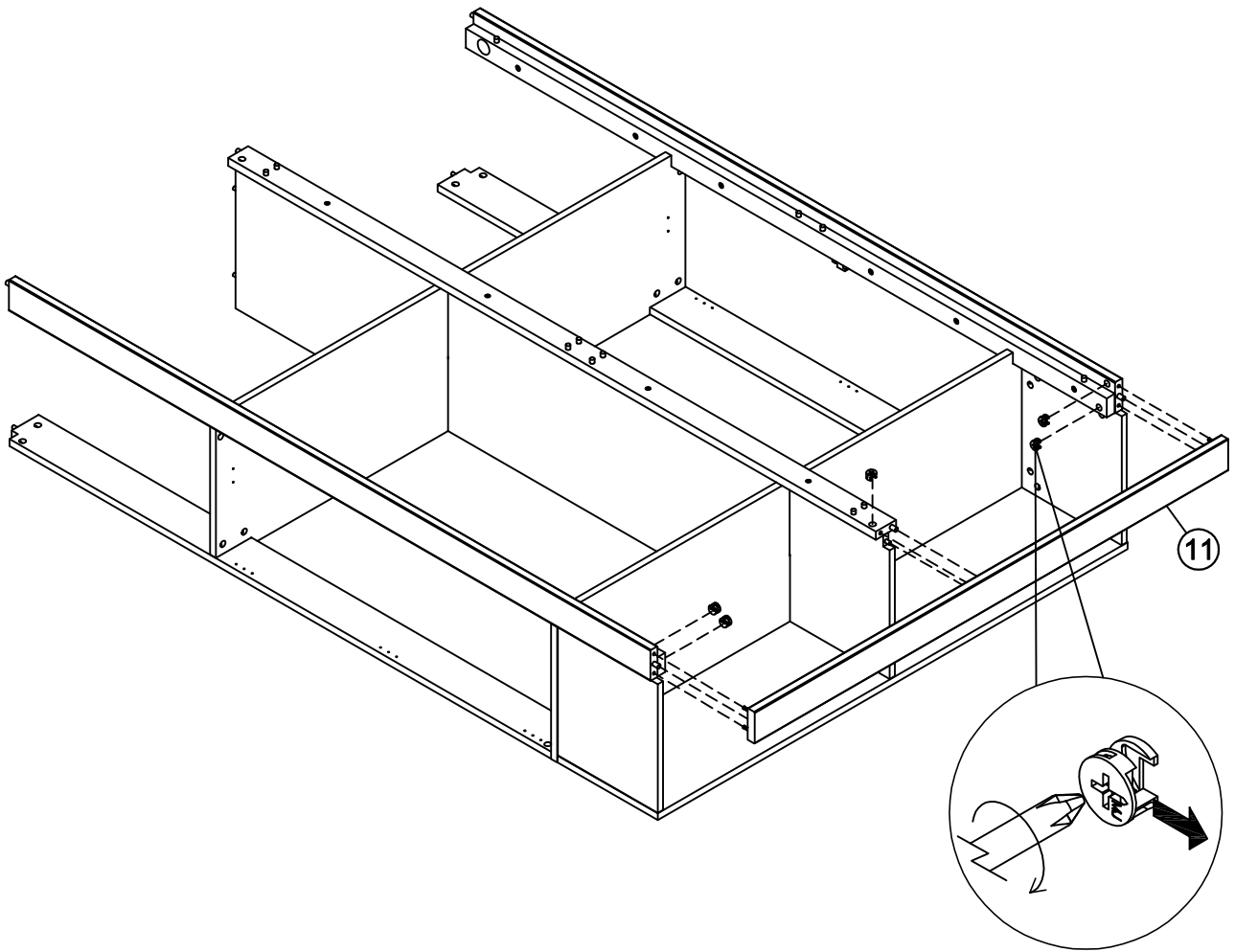
T1	N/A	2	
Y8	Ø6 x 50mm	4	

11



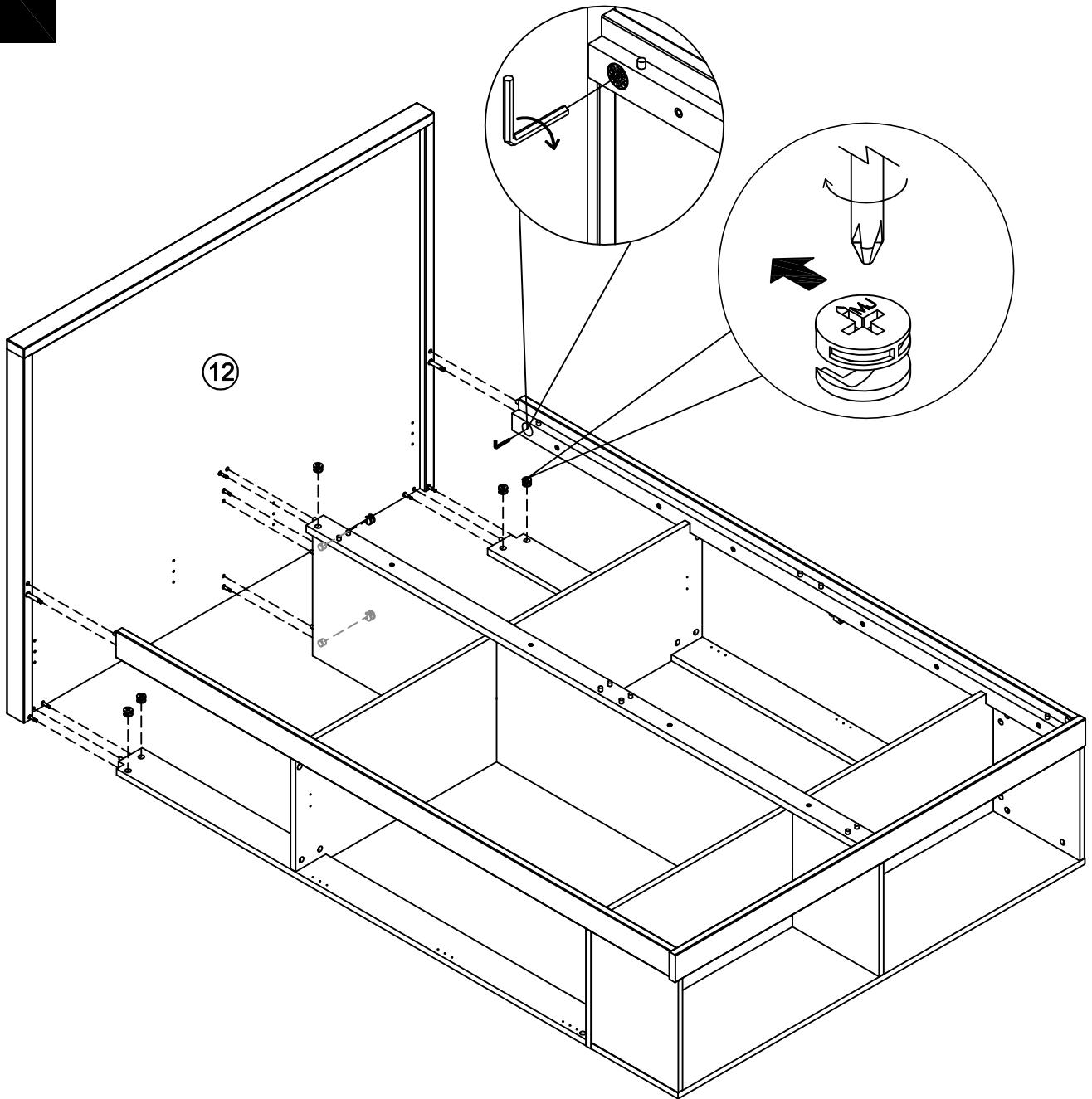
B24	Ø8.5 x 63mm	2	
B12	Ø7.5 x 33mm	12	  not supplied




12



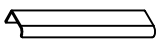

B4	Ø15 x 12mm	5		 not supplied
----	------------	---	---	---

13






T7	N/A	1	
B4	Ø15 x 12mm	7	  not supplied

14

E39	N/A	4		 not supplied
-----	-----	---	---	---

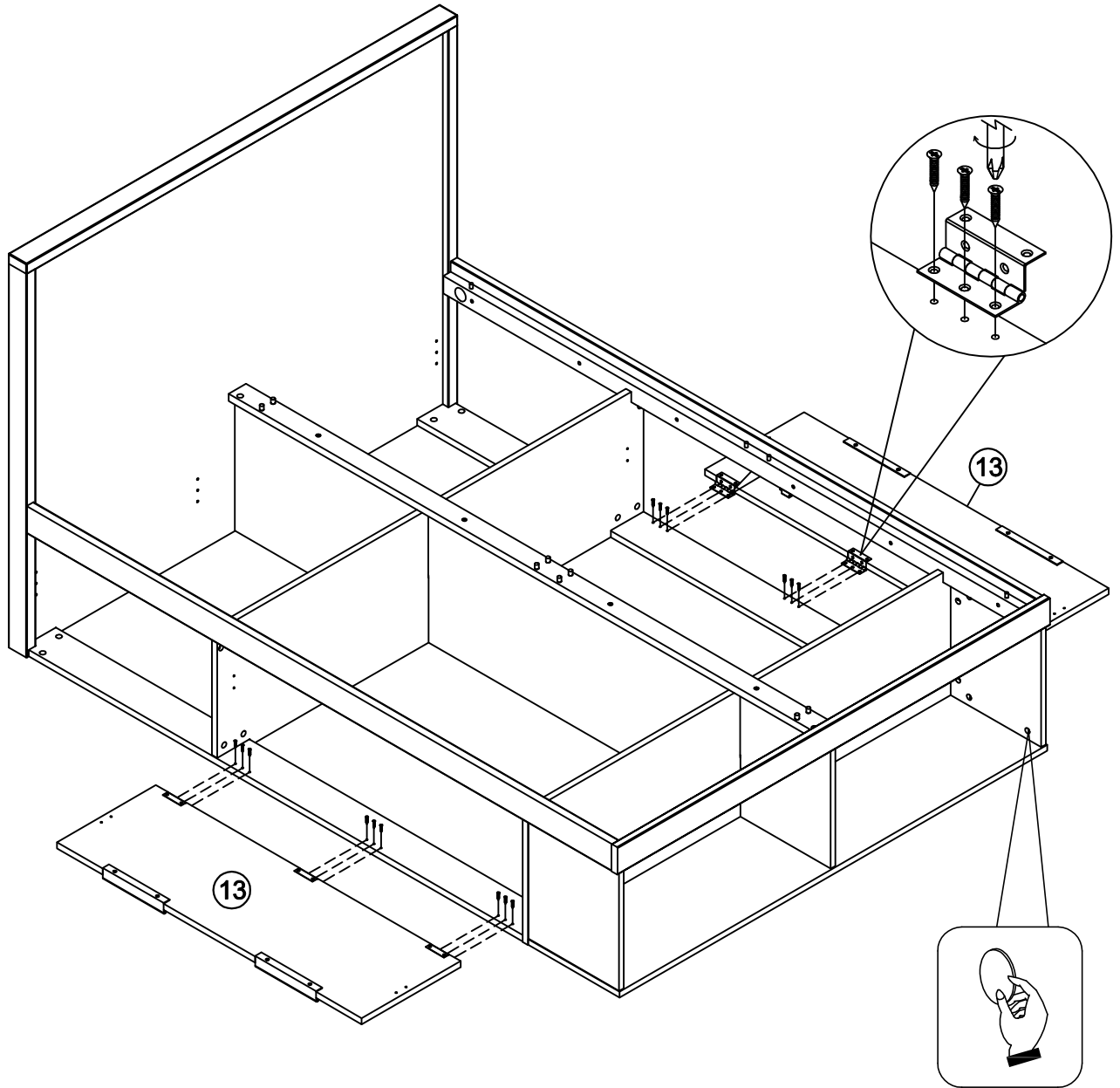
X2

15

U121	Ø4 x 16mm	24		 not supplied
H29	N/A	6		

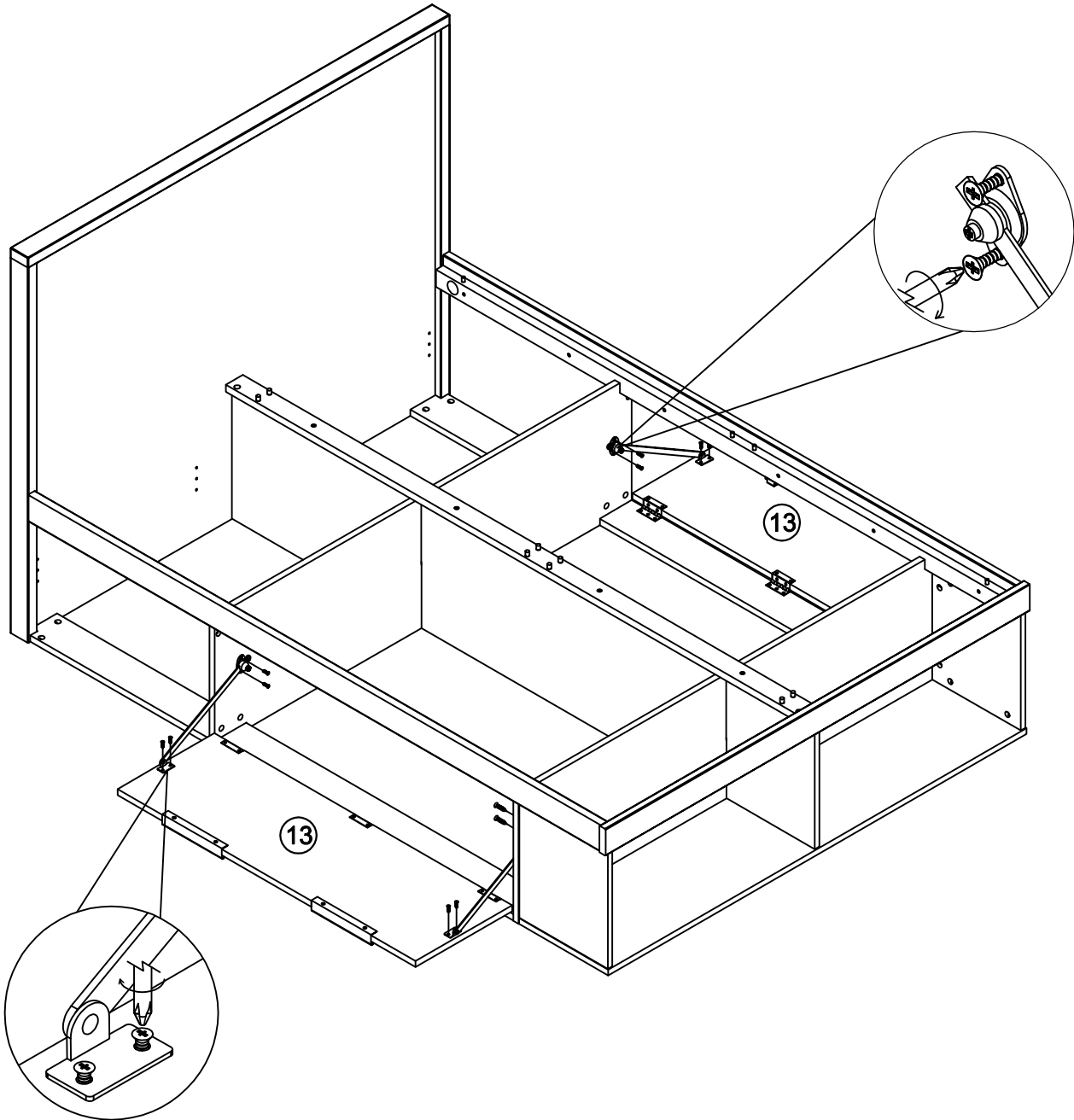
X2




16



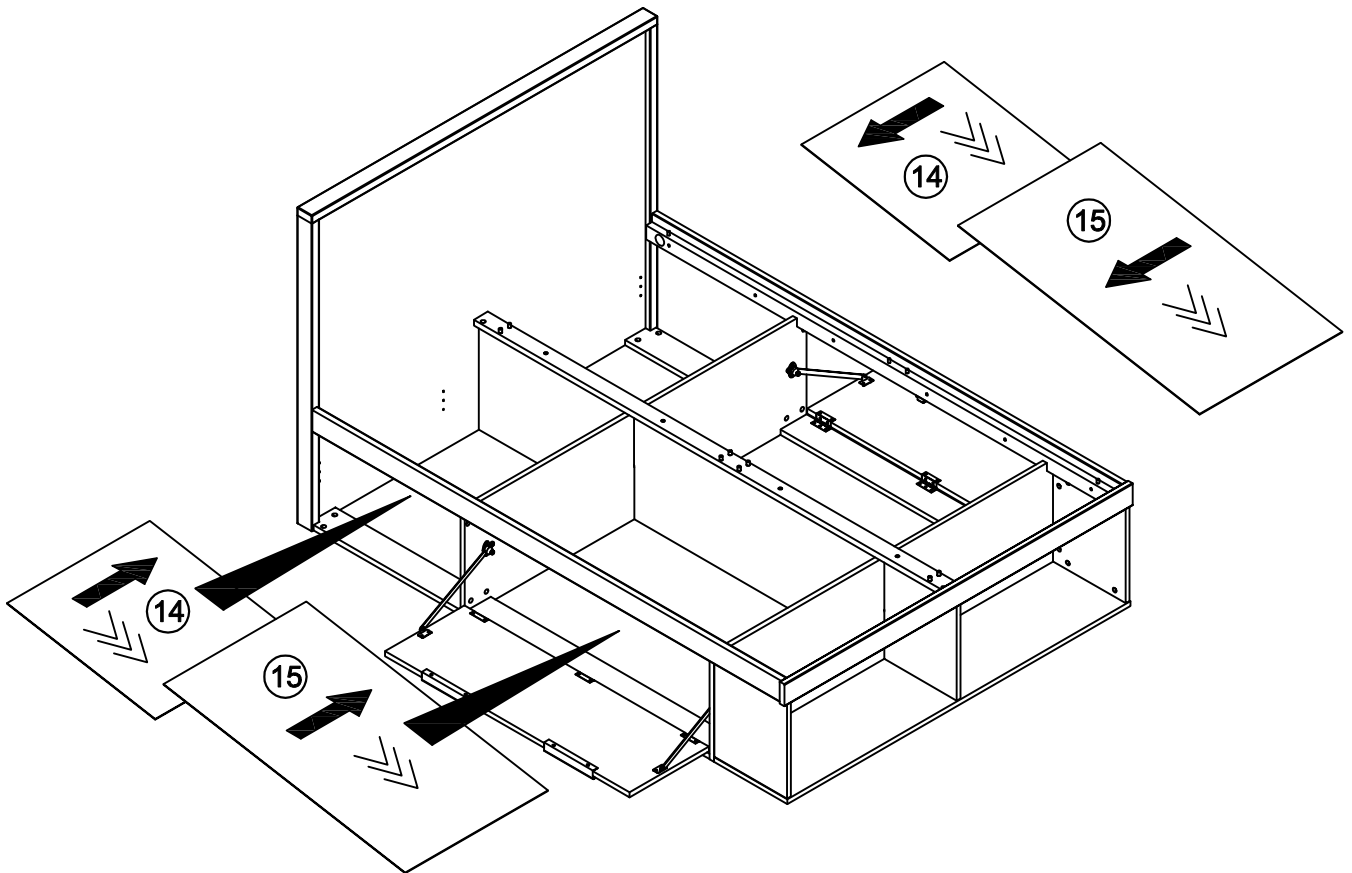
O1	Ø21mm	30	
U121	Ø4 x 16mm	18	 not supplied

17

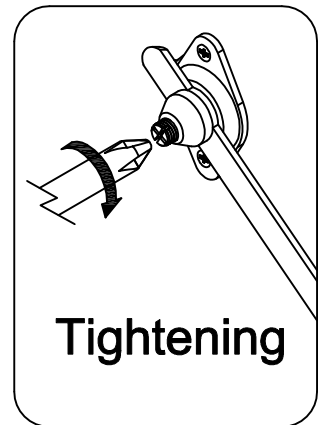
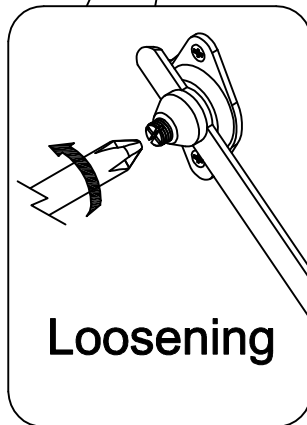
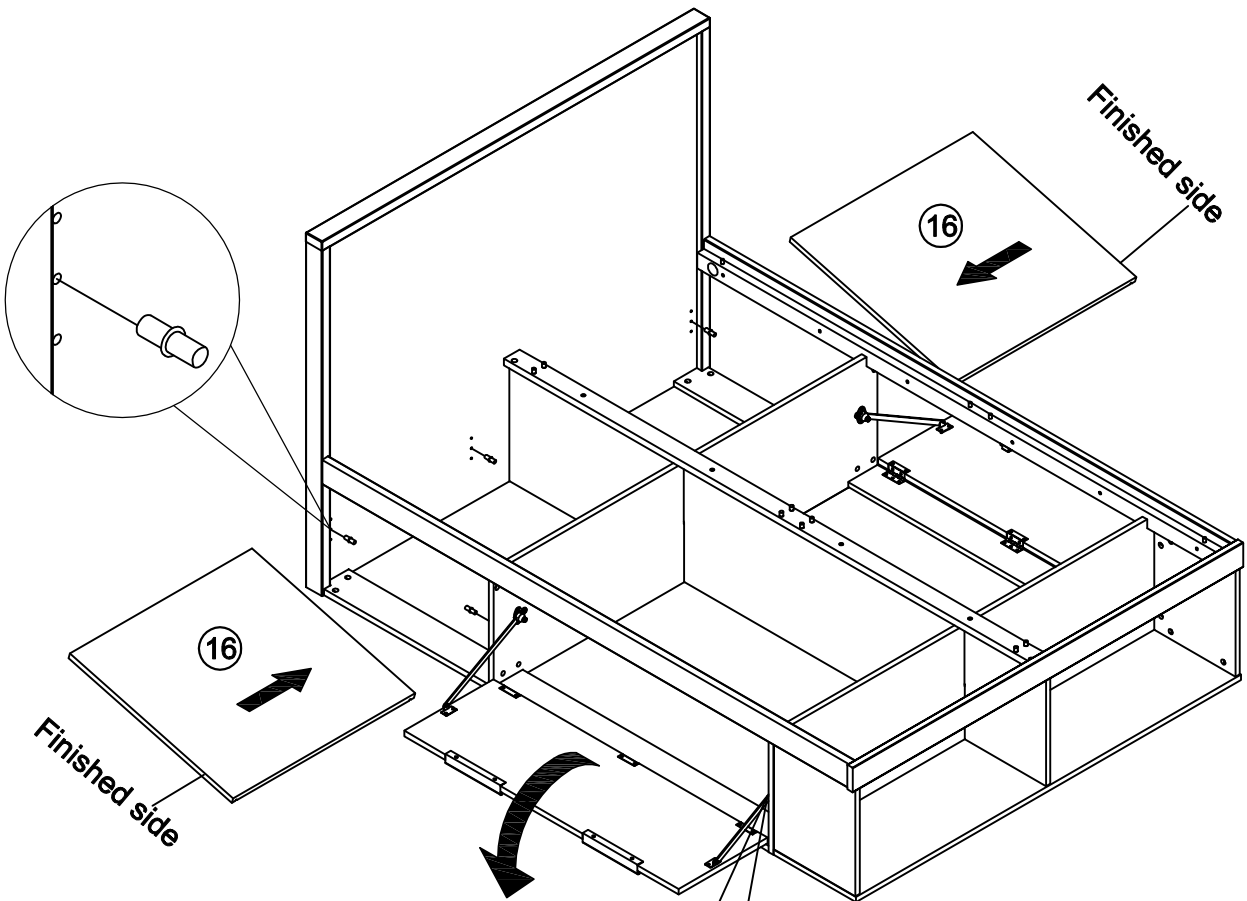


U123	Ø4 x 16mm	16		 not supplied
H38	N/A	4		

18

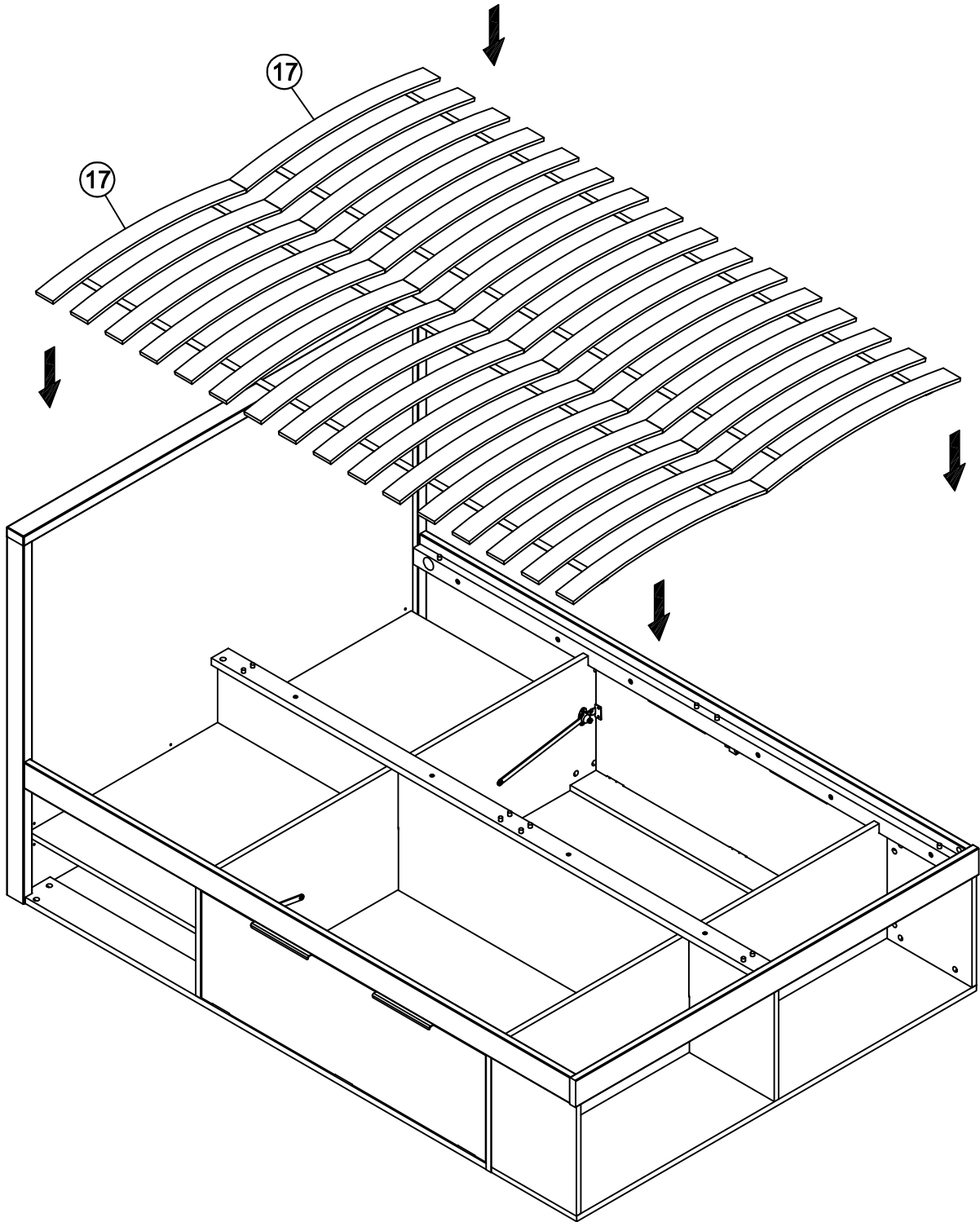


19



P3	Ø5 x 16mm	8	
----	-----------	---	--

20



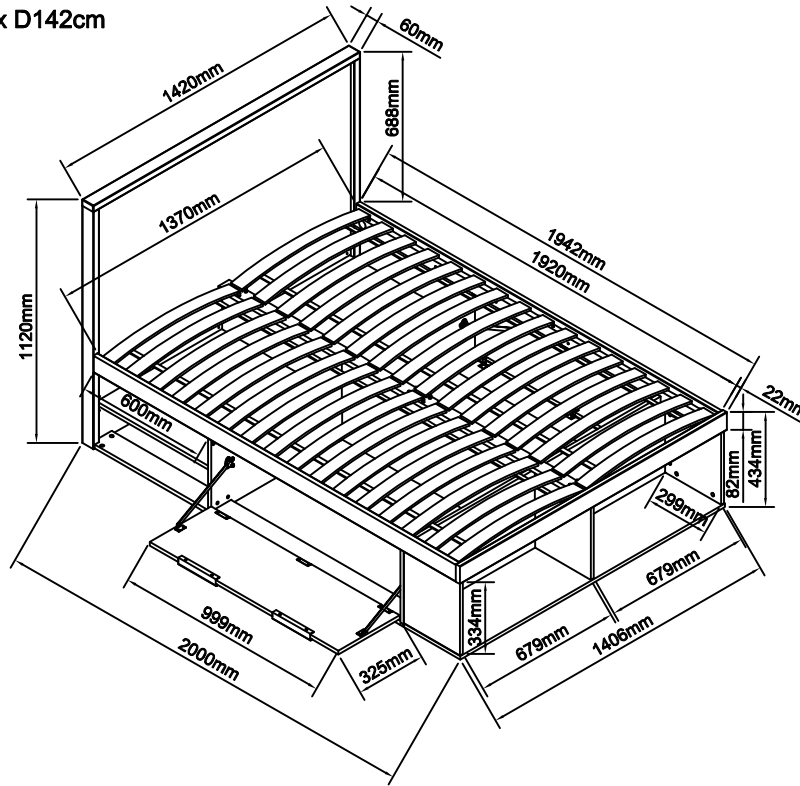
next

BRONX GREY LOFT STORAGE BED

M20525

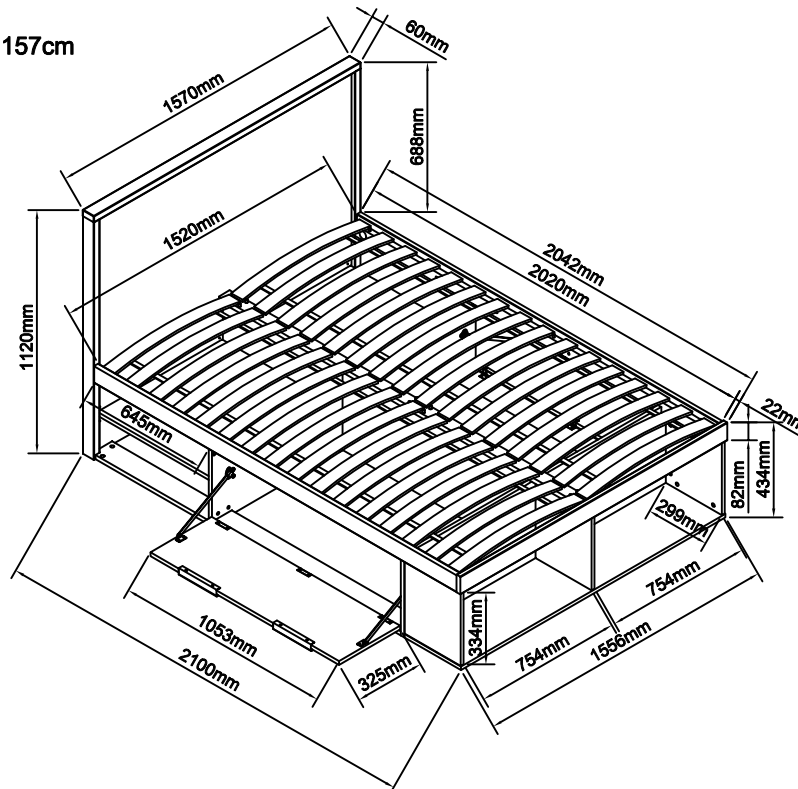
Actual product size

DOUBLE: H112 x W200 x D142cm



Actual product size

KING: H112 x W210 x D157cm





BRONX GREY LOFT STORAGE BED

M20525

Warnings

We suggest you retain these instructions for future reference.

Keep fittings out of children's reach and keep children well away from construction area.

This product should only be used on firm level ground.

Please periodically check all fittings and re-tighten as necessary.

Please do not sit or stand on your furniture.

Avoid exposing the furniture to excessive heat or direct sunlight as this can cause deterioration of the colour.

Unwrap all packaging materials and place the components on top of the carton box or on a clean floor to protect it from damage

Missing parts

If you are missing any fixtures and fittings for your product. Please contact our customer service team on 0333 777 8999 and they will be happy to arrange for a replacement to be sent to you free of charge.

Home service technicians

If you have a fault with your product, please contact our customer service team on 0333 777 8999. If you have had the product for 28 days or less you may be offered a replacement, refund or for a fully trained home service technician to visit your home to assess the fault and repair the product where possible. If you have had the product for more than 28 days we will send an independent home service technician to review and repair the product where possible and recommend further action.

You can write to us at

Home Customer Services
Next Retail Ltd.
Desford Road,
Leicester,
LE19 4AT

To view our full furniture range please visit www.next.co.uk