

NEXT

Thank you for shopping with us

NEXT

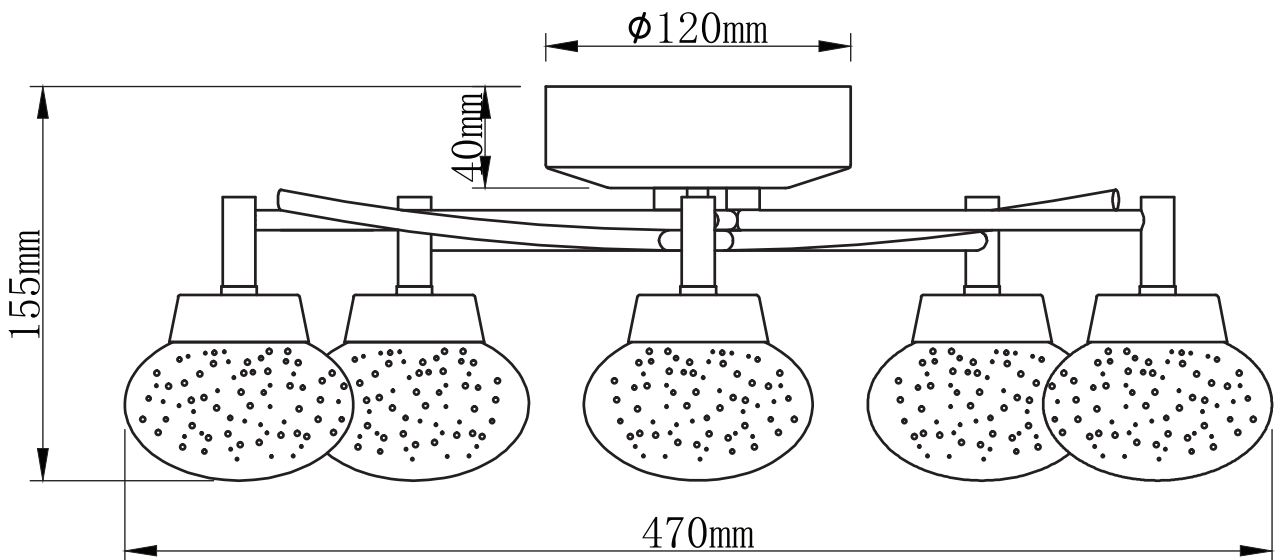
CORA 5 LIGHT FLUSH FITTING

M26835

Assembly Instructions

Actual Product Size

Φ470*H155mm



IMPORTANT - RETAIN FOR FUTURE REFERENCE

Need Help?

with: Assembly instructions,
missing or damaged parts

CALL:0333 777 8999

NEXT

CORA 5 LIGHT FLUSH FITTING

M26835

Assembly Instructions

BEFORE YOU START

Warnings

We suggest you retain these instructions for future reference

For your safety, this product must be installed in accordance with local Building Regulations. If in any doubt, or required by the law, consult a competent person who is registered with an electrician self-certification scheme. Further information is available online or from your Local Authority

This light is suitable for use indoors and bathrooms.

We suggest you retain these instructions for future reference

Light fittings should be connected to a 5 amp fused circuit

Before commencing installation, isolate the circuit to be used by removing the fuse or circuit breaker at the consumer distribution unit

Do's

We suggest you spend a short time reading through this leaflet before you start

When you are ready to start, make sure that you have the right tools and plenty of space

Unwrap all packaging materials and place the components on top of the carton box or on a clean floor to protect it from damage

We recommend that the packaging is used to protect the surfaces during assembly

Carefully check that you have all the parts before beginning assembly

Ensure the product is fully assembled as illustrated and all fixings fully tightened before use. Check fixings regularly to ensure they remain tight

Always switch off the supply before cleaning

Non replaceable 16W long life LED

This product contains 5 light sources of energy efficiency class "F"

Don'ts

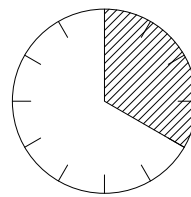
The fitting should not be fixed to newly painted or plastered surfaces as this may cause discolouration of the finish

We recommend cleaning with a soft dry cloth, do not use abrasive materials as these will rub away the protective coating

Number of people required to assemble

One person who is competent with electrical wiring and installation, however we do recommend that this item is installed by a qualified electrician

Time to assemble



20mins

Tools required

Cross Head Screwdriver
Flat Screwdriver
Insulating Tape

Missing parts

If you are missing any fixtures and fittings for your product please contact our customer service team on 0333 777 8999 and they will be happy to help.

Cleaning Care

We recommend cleaning with a soft dry cloth. Do not use abrasive materials as these will rub away the protective coating.

Maintenance

To ensure your safety, if the cable becomes damaged it must be replaced only by a qualified person.

Safety information

For your safety, please remember the following:

- Switch off and allow to cool for 10 minutes before cleaning.
- Clean only with a soft dry cloth.

You can write to us at

Home Customer Services
Next Retail Ltd,
Desford Road,
Leicester,
LE19 4AT
or
Next Retail (Ireland) Ltd, 13-18
City Quay,
Dublin 2,
D02 ED70

To view our full range please visit
www.next.co.uk

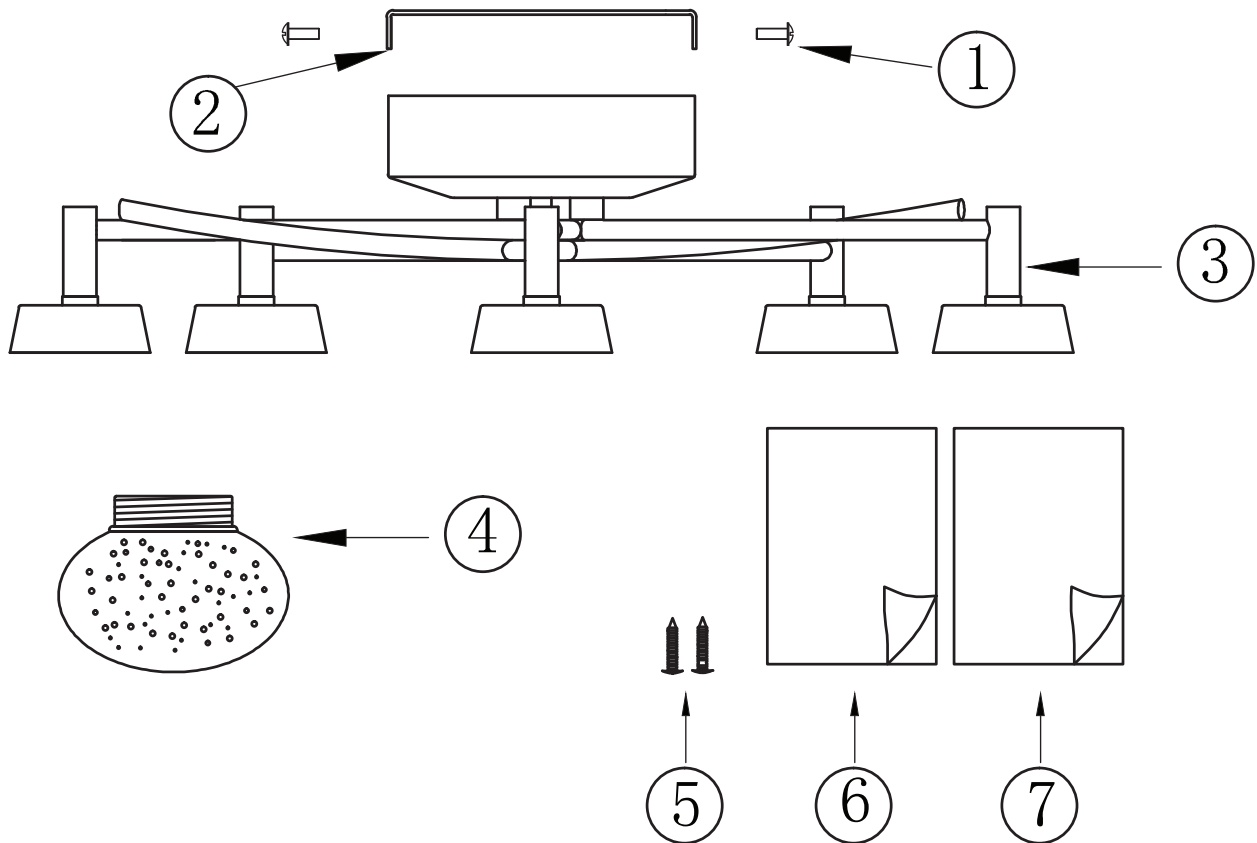
NEXT

CORA 5 LIGHT FLUSH FITTING

M26835

Assembly Instructions

GETTING TO KNOW YOUR PRODUCT



Ref	Description	Specification	Qty	Remark
1	Fixing bracket screws	M4*L10MM	2	Attached on light fitting
2	Fixing bracket	L117*W20*H15MM	1	Attached on light fitting
3	Light fitting		1	
4	Crystal shades	Φ90*H66MM	5	Packed in carton
5	Fixing screws	L38MM	2	Packed in fixing pack
6	Assembly instruction	A3 X 2	1	Packed in fixing pack
7	Re-package instruction	A4 X 1	1	Packed in fixing pack

NEXT

CORA 5 LIGHT FLUSH FITTING

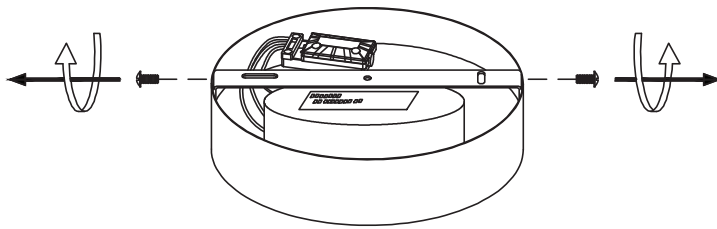
M26835

Assembly Instructions

1

Step 1

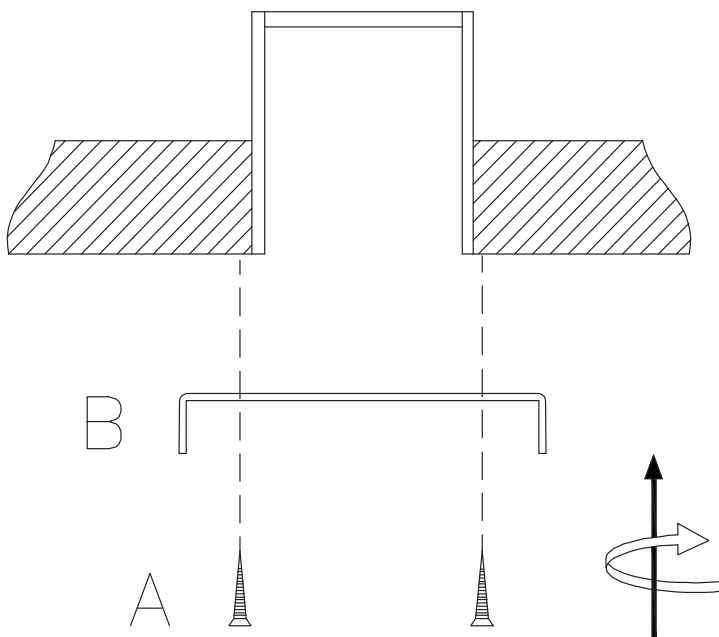
Unscrew the fixing bracket screws from the wall light.



2

Step 2

Using the mounting strap as a guide, mark screw positions on the wall. Make sure the area is free of any hidden wires, water or gas pipes. Then attach mounting strap to the wall using screws supplied. The screws should penetrate a wall joist by at least 25mm.



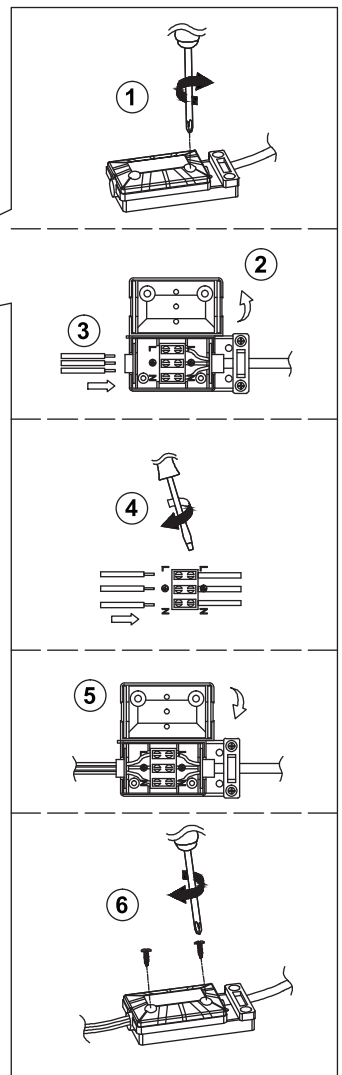
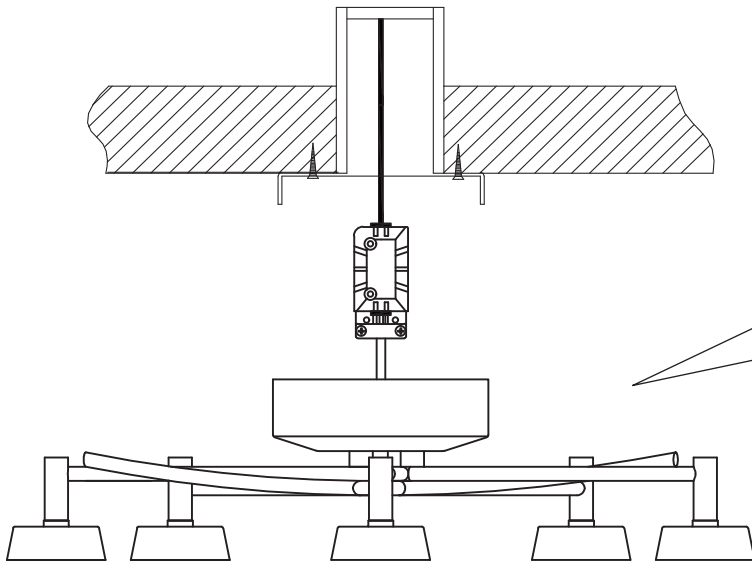
NEXT

CORA 5 LIGHT FLUSH FITTING

M26835

Assembly Instructions

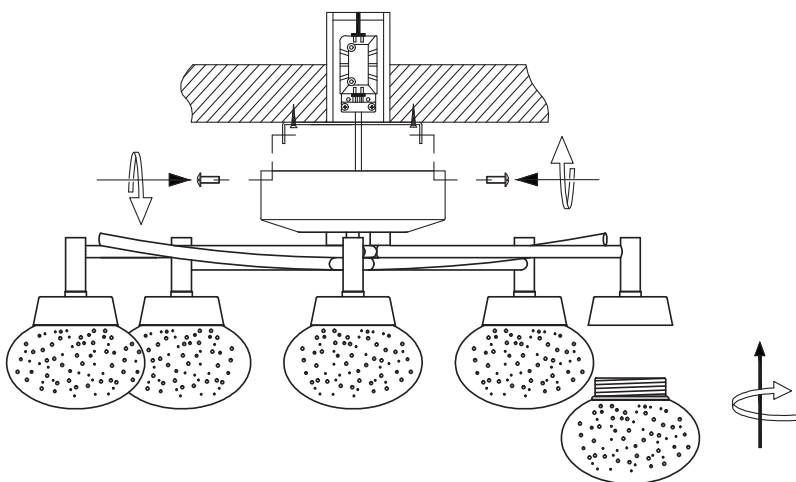
3



Step 3

Connect the wiring from the house wiring to the supplied connector as detailed in Terminal Block Diagram. Ensure that the conductors are full inserted and that no loose strands stick out.

4



Step 4

Attach ceiling plate to the mounting strap using fixing bracket screws. Then screw on the crystal shades.

NEXT M26835 CORA 5 LIGHT FLUSH FITTING

IP44 Safety:

- IP rating of the product IP RATING: IP44
- Explanation of IP ratings
The IP or Ingress Protection rating is a measure of protection against solids and liquid. The first number is the protection against solids, the second the protection against liquids. In both cases the higher the number, the higher the degree of protection.
When we refer to IP44 we are referring to a fitting where the protection against liquid ingress is 4 and the protection against solids is also 4.
- Explanation of bathroom zones
Bathrooms are considered to be a special location for electrical installations because they have an increased risk of electric shock for the users, due to being so close to water.
- The wiring regulations in the UK state that all fixed electrical installations in dwellings must legally comply with BS 7671 (IET Wiring Regulations). This standard provides guidance on, installation by dividing a bathroom into different zones - 0, 1, 2 and Outside Zones:
- Zone 0
In the bath or shower itself.
- Zone 1
The area around the bath or shower up to a height of 2250mm from the floor with a radius of 600mm from the water outlet.
- Zone 2
An area stretching 600mm outside the perimeter of the bath or shower and to a height of 2250mm from the floor. The area round a washbasin within a radius of 600mm from the tap should also be treated as Zone 2.
- Outside Zones
Anything outside Zones 0, 1 or 2 and where no water jet is likely to be used for cleaning purposes.
IMPORTANT - This light has an IP44 rating and may be installed in zone 2 and outside zones of a bathroom and the supply circuit protected by an RCD

Disclaimer

Please note this information is not an installation guide. Reference should be made to the IET Wiring Regulations (BS 7671) and you should always seek advice from a qualified electrician before you install lighting within your bathroom.

