

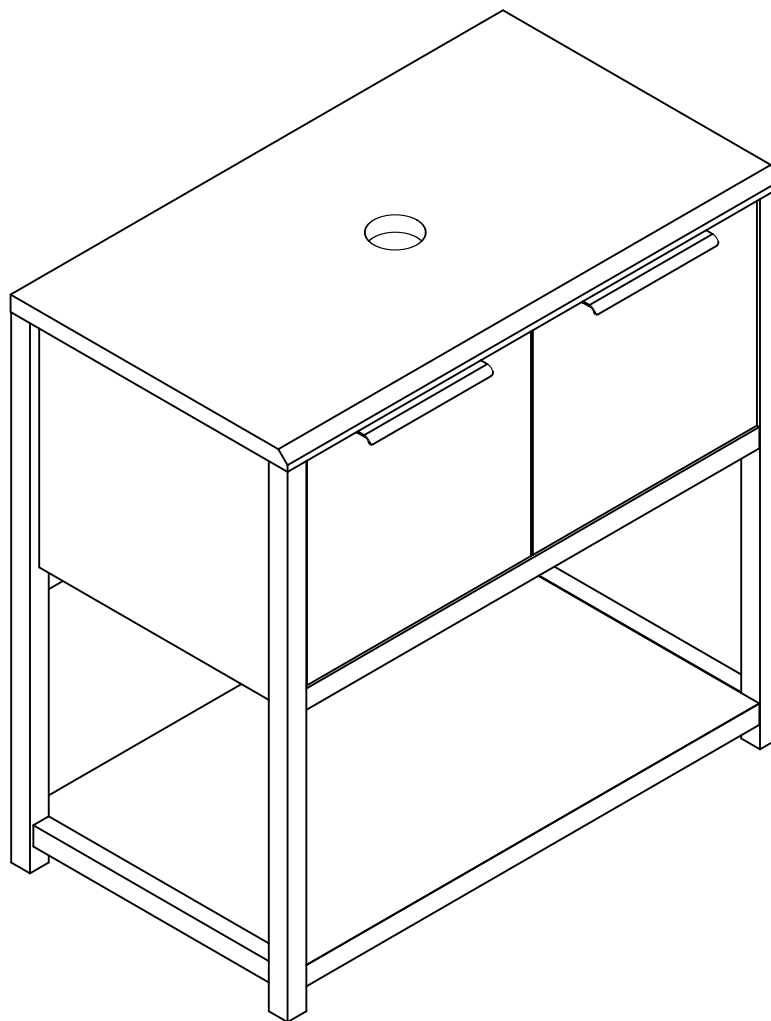
NEXT

BRONX FITTED SINK UNIT

M82206
Assembly instructions

Actual product size

H80 x W80 x D45cm



**IMPORTANT -
RETAIN FOR FUTURE REFERENCE**

Need Help ?

With: Assembly instruction

Missing or damaged parts

CALL: 0333 777 8999

BEFORE YOU START

Number of people required to assemble

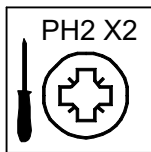
Two people are required to assemble this item



Time to assemble : 30 minutes



Tools required



not supplied

Do's

We suggest you spend a short time reading through this leaflet before you start.

When you are ready to start, make sure that you have the right tools and plenty of space.

Unwrap all packaging materials and place the components on a clean surface to protect it from damage, We recommend that the packaging is used to protect the surfaces during assembly.

Carefully check that you have all the parts before beginning assembly.

Due to the size of this product we recommend that it is assembled in the room intended for use.

Ensure the product is fully assembled as illustrated and all fixings fully tightened before use.

Wipe occasionally with a soft cloth slightly dampened with water. Then buff with a dry clean soft cloth.

Wood will mellow and change colour over time, we recommend that ornaments and items placed on the surface are moved regularly for the first few months to prevent uneven mellowing.

Don'ts

Do not drag or pull your furniture.

Do not rub or scrub the surface when cleaning.

Do not use silicone based furniture polish. Silicone in furniture polishes can break down the finish.

Never allow any kind of liquid to remain on your furniture. Absorption can cause wood to warp or finishes to de-laminate.

Do not place hot items (e.g. hot drinks) directly on to the wood surface. Please make sure you use a placemat or coaster.

The water waste hole diameter is 7cm.

Holes for the tap are not pre-drilled.

Ensure the bathroom has ample ventilation to prevent moisture build-up.

Ensure there is no standing water on the furniture and wipe away any water.

Avoid placing the furniture next to the bathtub or shower without a proper shower screen.

Ensure the product is fixed to wall with safety brackets supplied.

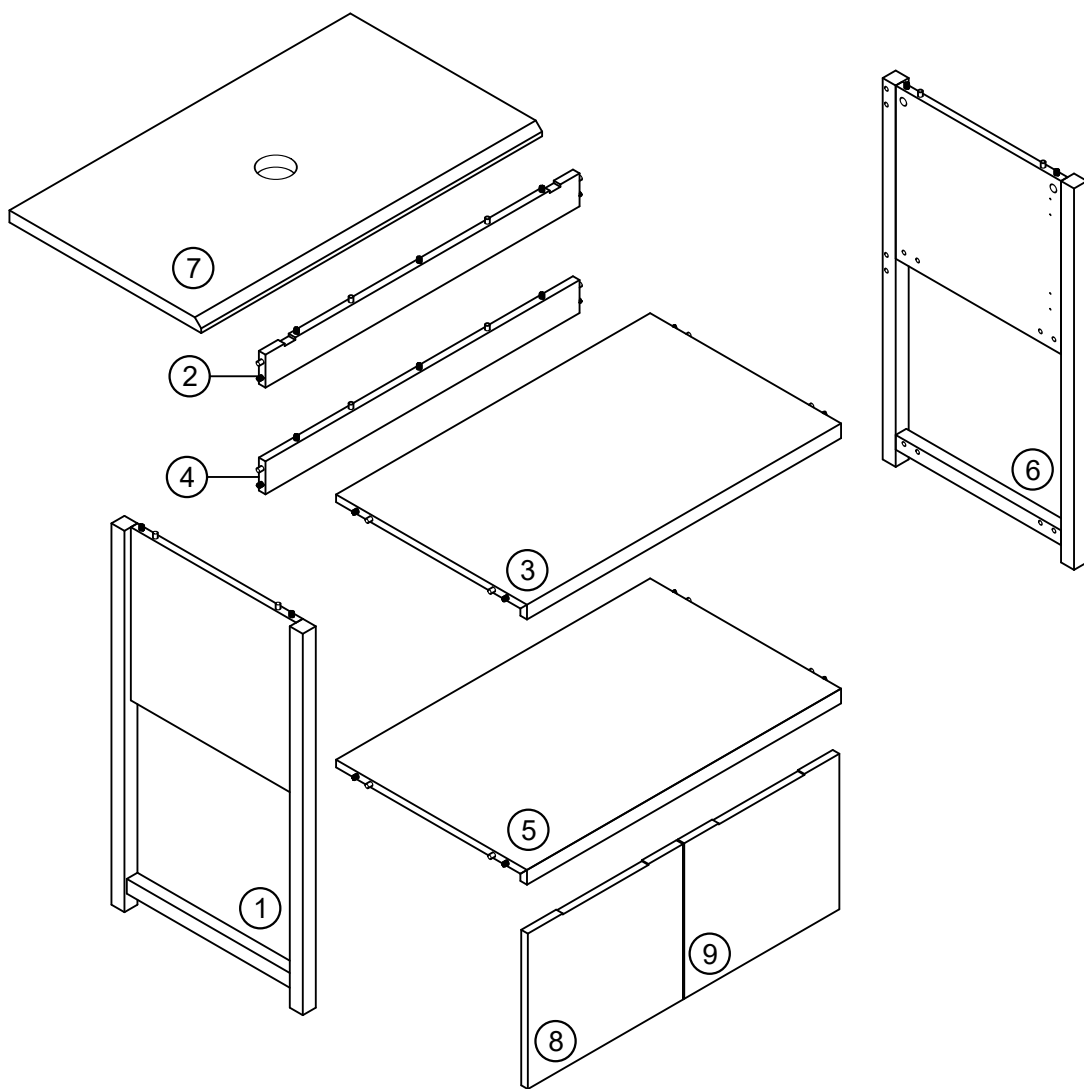
We recommend seeking a professional to install the sink and appropriate sealant(not included)is applied where necessary.

NEXT

BRONX FITTED SINK UNIT

M82206
Assembly instructions

GETTING TO KNOW YOUR PRODUCT



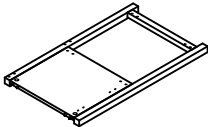
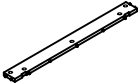
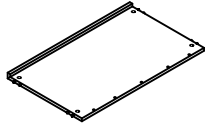
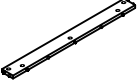

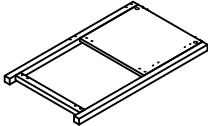
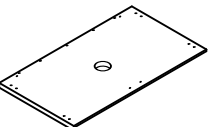
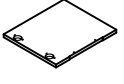
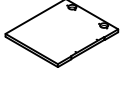
NEXT

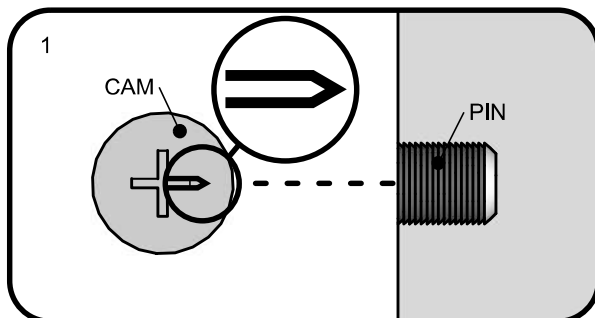
BRONX FITTED SINK UNIT

M82206

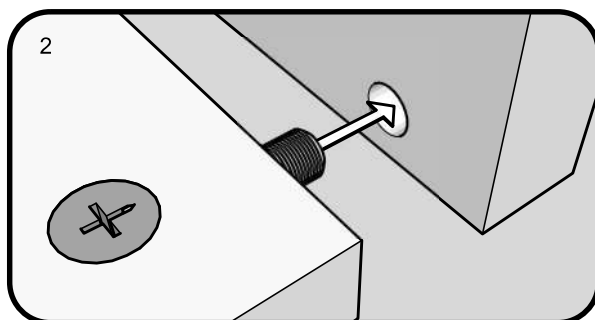
Assembly instructions

Components supplied. Please use this guide if you require replacement parts.

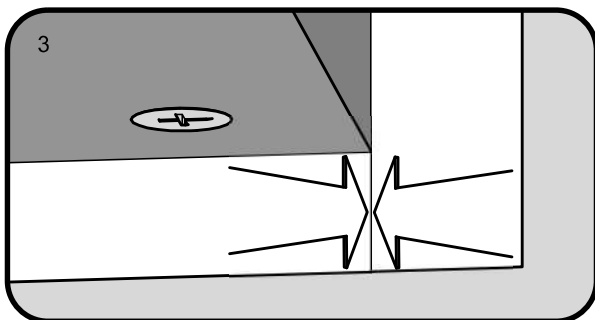
Ref	Dimensions	Visual	Qty	Ctn
1	45x77.5cm		1	1
2	8.5x73.5cm		1	1
3	44.5x73.5cm		1	1
4	8.5x73.5cm		1	1
5	44.5x73.5cm		1	1
6	45x77.5cm		1	1
7	45x80cm		1	1
8	31.5x36.5cm		1	1
9	31.5x36.5cm		1	1



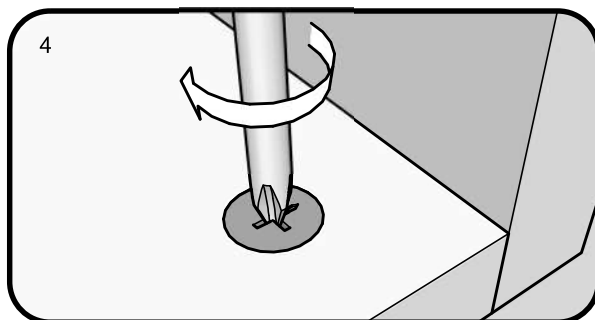
Line up the arrow on the CAM with the PIN.



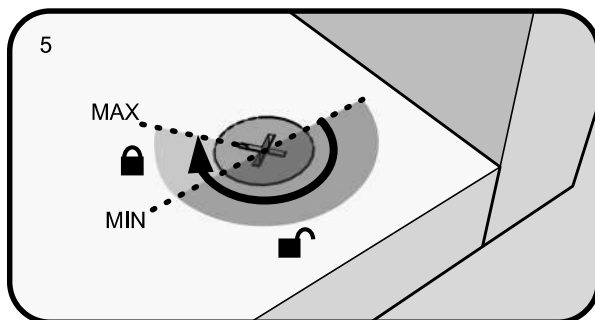
Push the pins into the holes in the panel to be joined.



Make sure there is no gap between the panels.



Use a cross-point screwdriver (PH2 or PZ2 is ideal) to tighten the cams and lock the panels together.



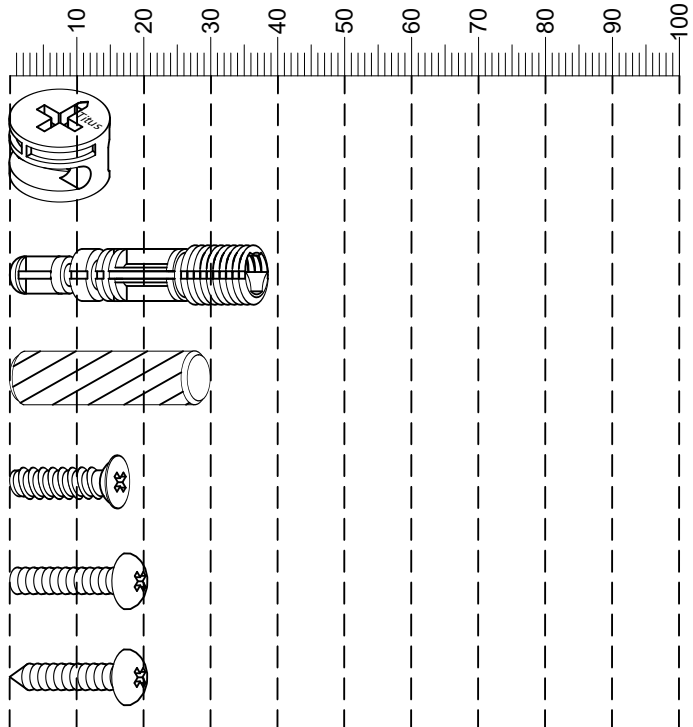
The panels are locked when each cam is turned to between 1/2 and 2/3 of a full turn (Maximum rotation)

NEXT

BRONX FITTED SINK UNIT M82206 Assembly instructions

Fixtures and fittings supplied (actual size)

Ref	Dimensions	Qty	Spare Qty
B3	Ø15 x 12mm	22 pre assembled	2
B8	Ø8 x 38mm	22 pre assembled	2
D6	Ø8 x 30mm	20 pre assembled	2
U139	Ø4.5 x 15mm	16	2
S58	Ø4 x 16mm	2	1
S41	Ø4 x 16mm	2	1



Fixtures and fittings supplied (not to scale)

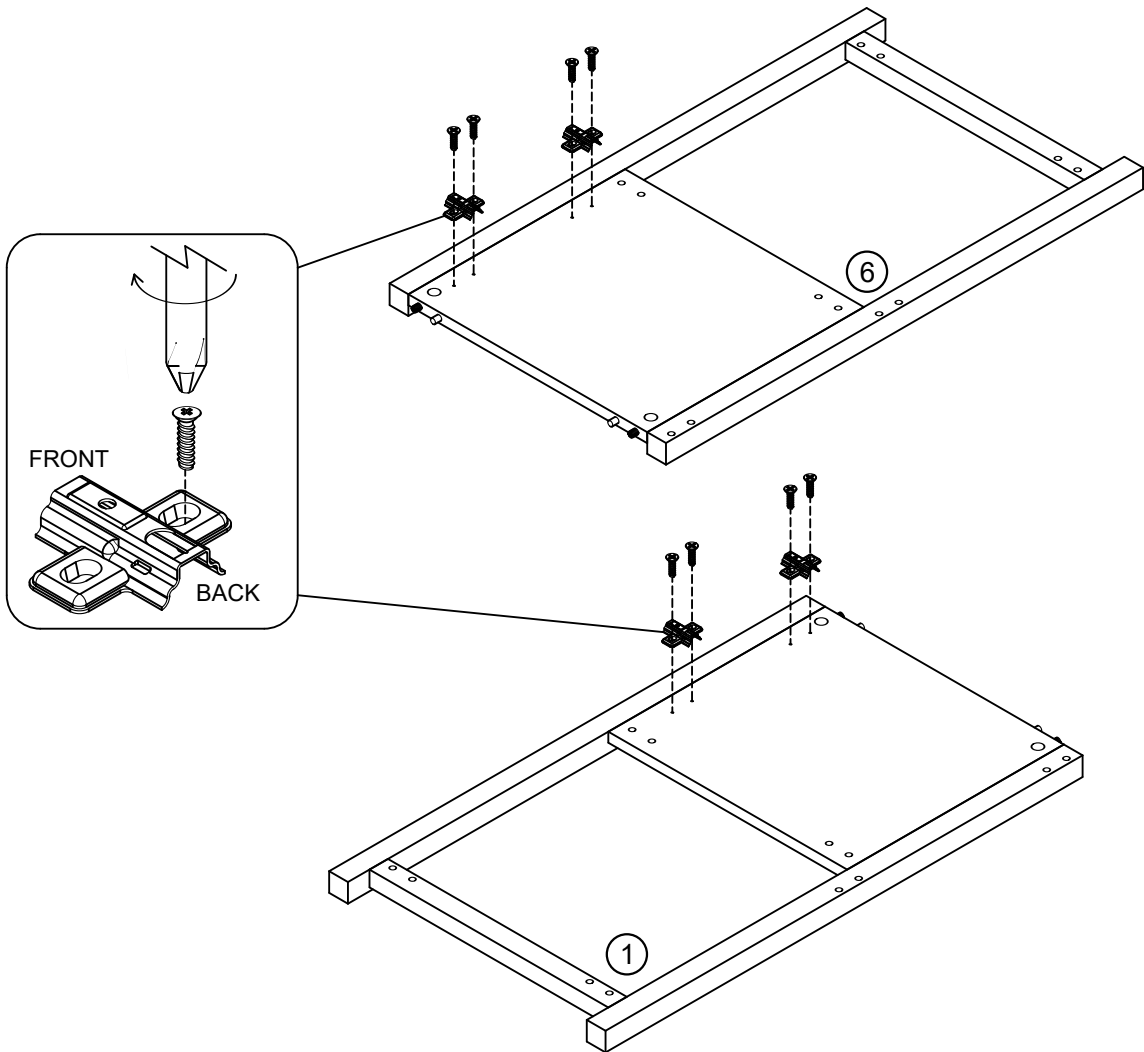
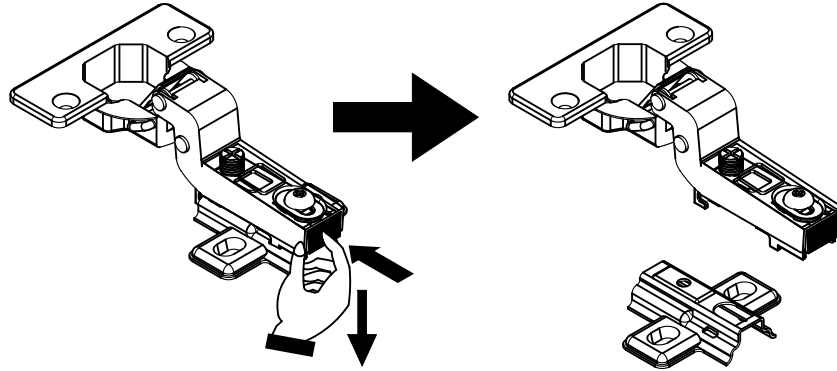
Ref	Dimensions	Qty	Spare Qty	Visual
M11	N/A	1	N/A	
N1	N/A	2	N/A	
C11	N/A	4	N/A	
O1	Ø21mm	4	1	
E39	N/A	2	N/A	



NEXT

BRONX FITTED SINK UNIT

M82206
Assembly instructions

1



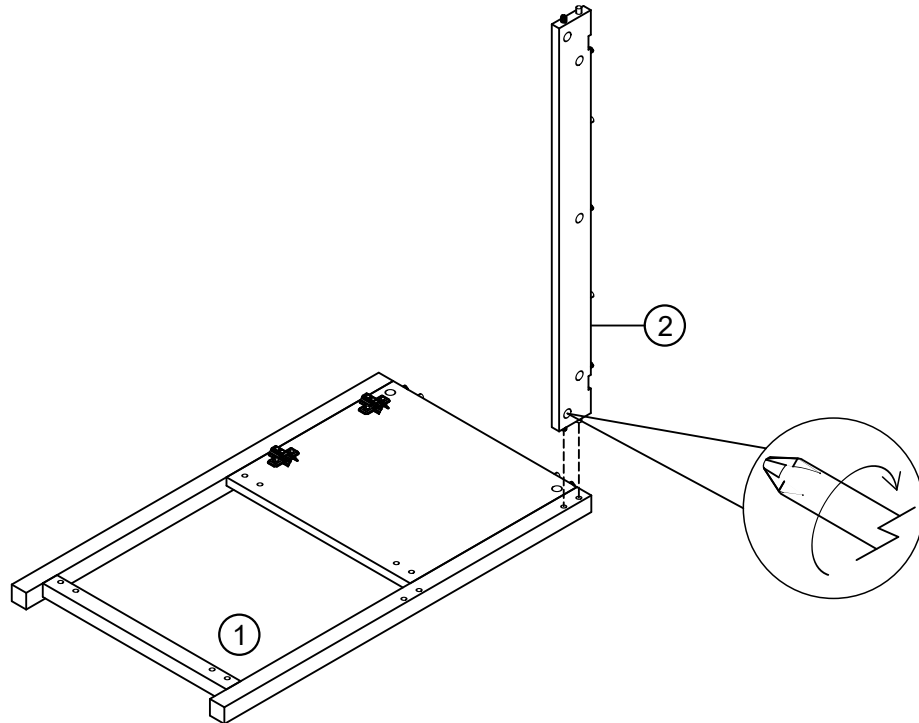
U139	Ø4.5 x 15mm	8		 not supplied
C11	N/A	4		

NEXT

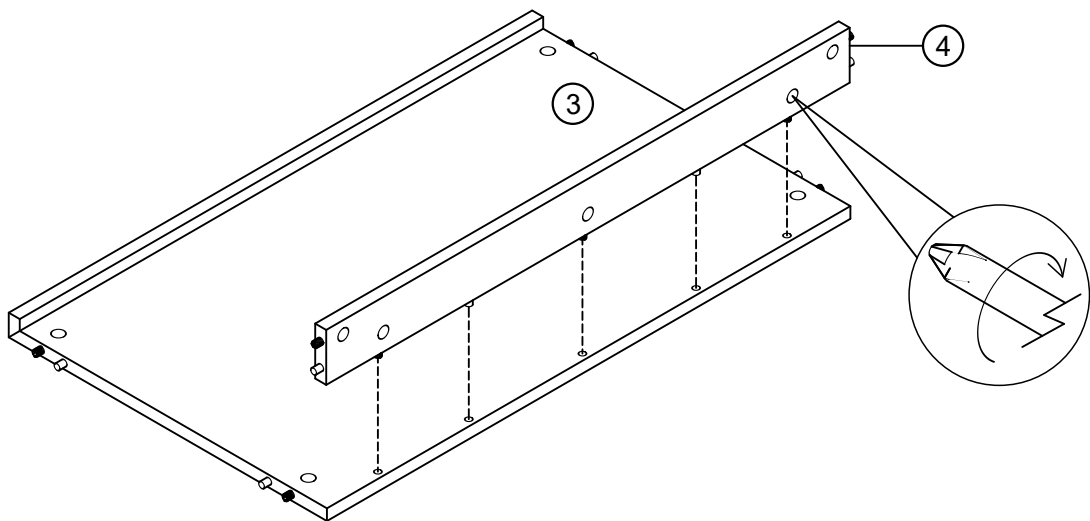
BRONX FITTED SINK UNIT

M82206
Assembly instructions

2



3

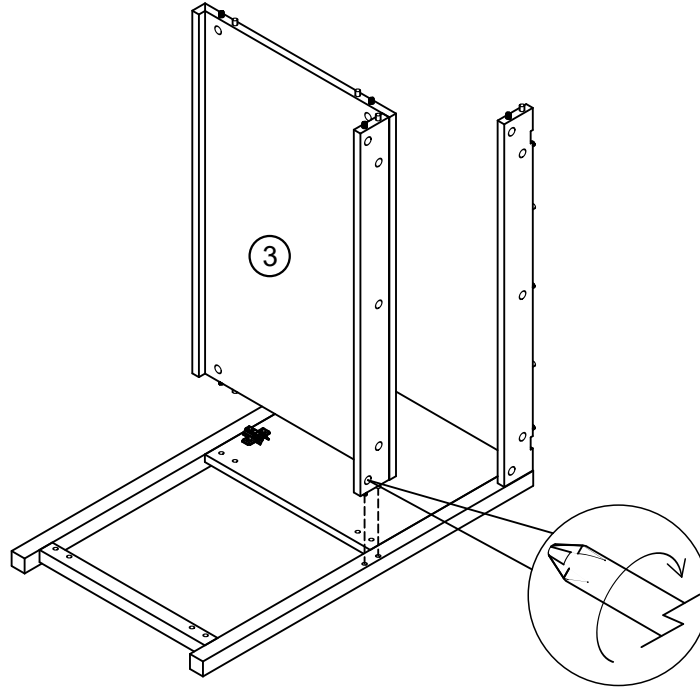


NEXT

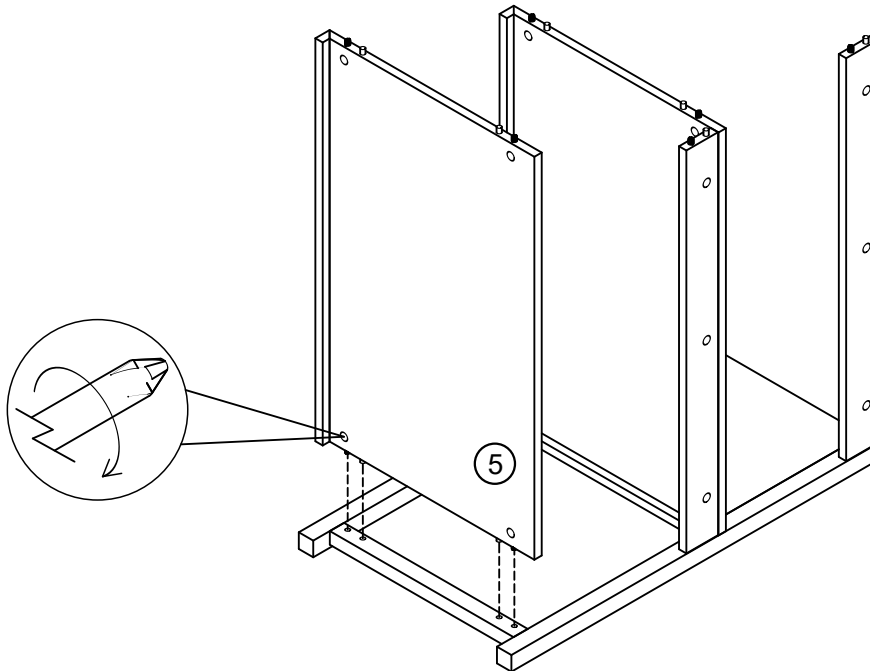
BRONX FITTED SINK UNIT

M82206
Assembly instructions

4



5

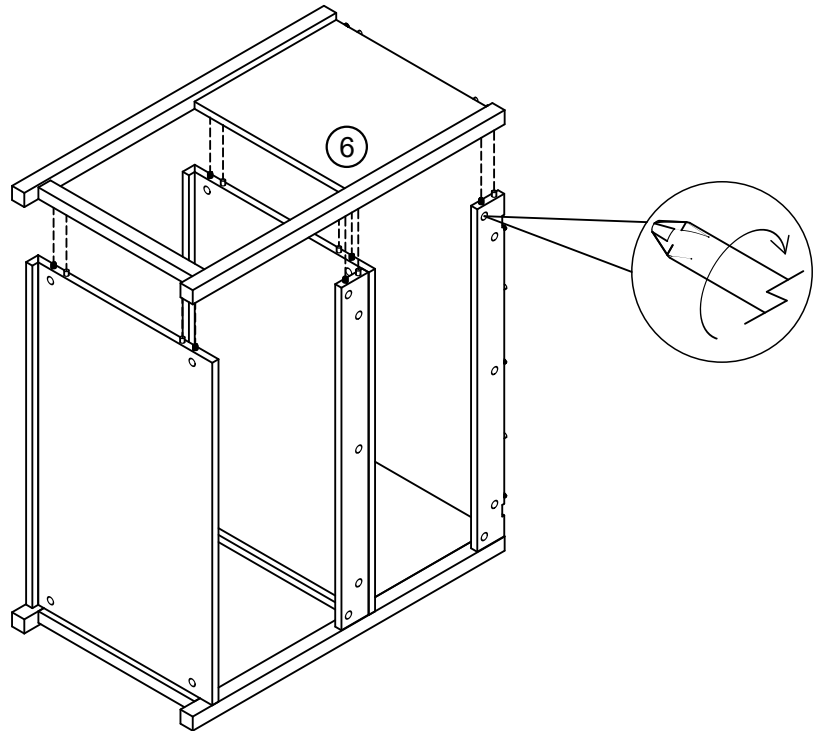


NEXT

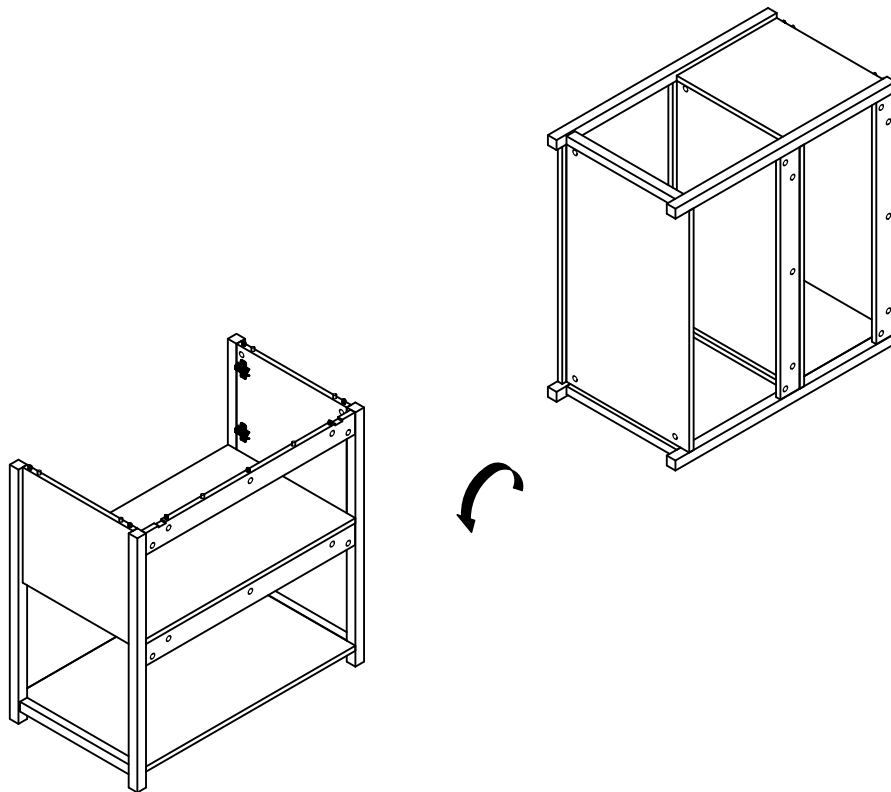
BRONX FITTED SINK UNIT

M82206
Assembly instructions

6



7



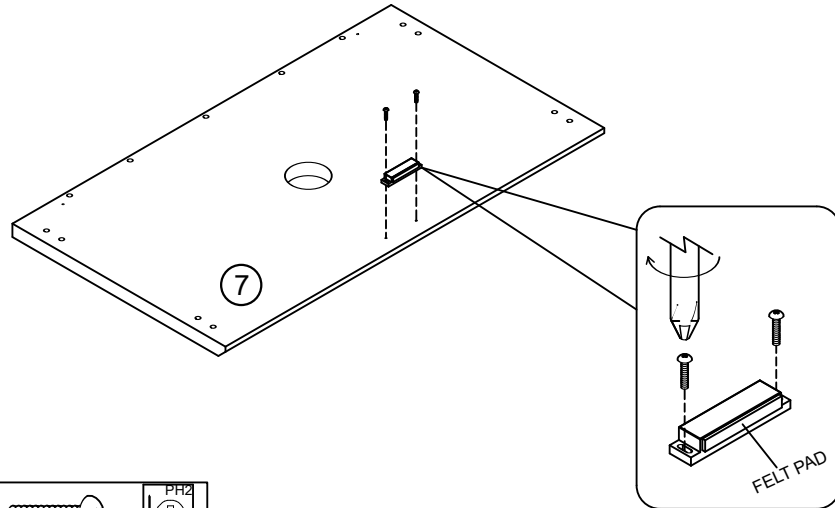
NEXT



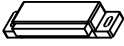
BRONX FITTED SINK UNIT

M82206

Assembly instructions

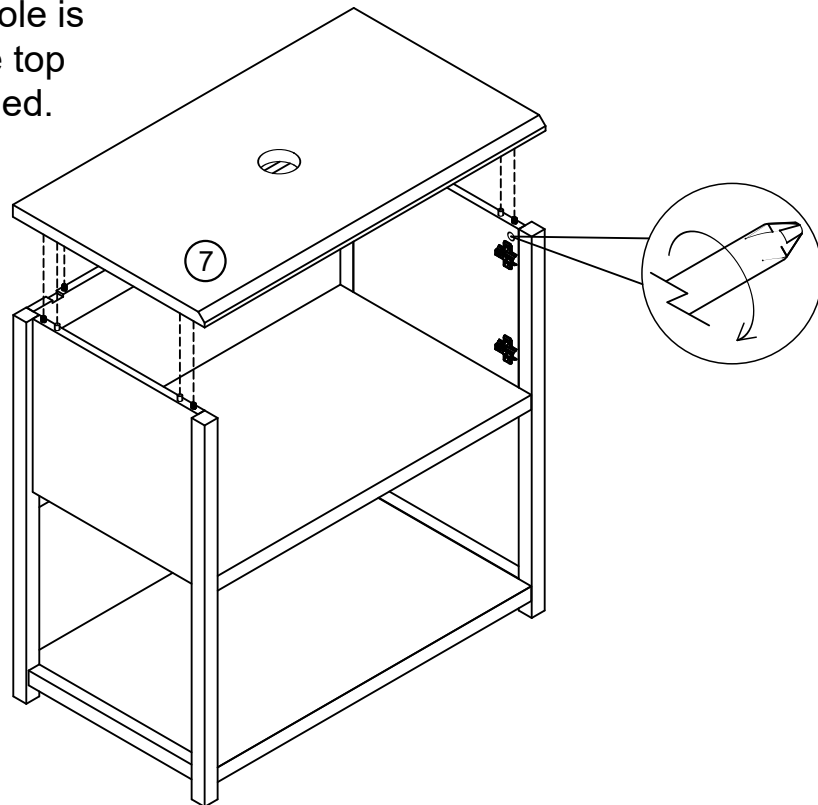
8



S58	Ø4 x 16mm	2		 not supplied
M11	N/A	1		

9

Ensure the tap hole is drilled, before the top panel is assembled.



NEXT

BRONX FITTED SINK UNIT

M82206

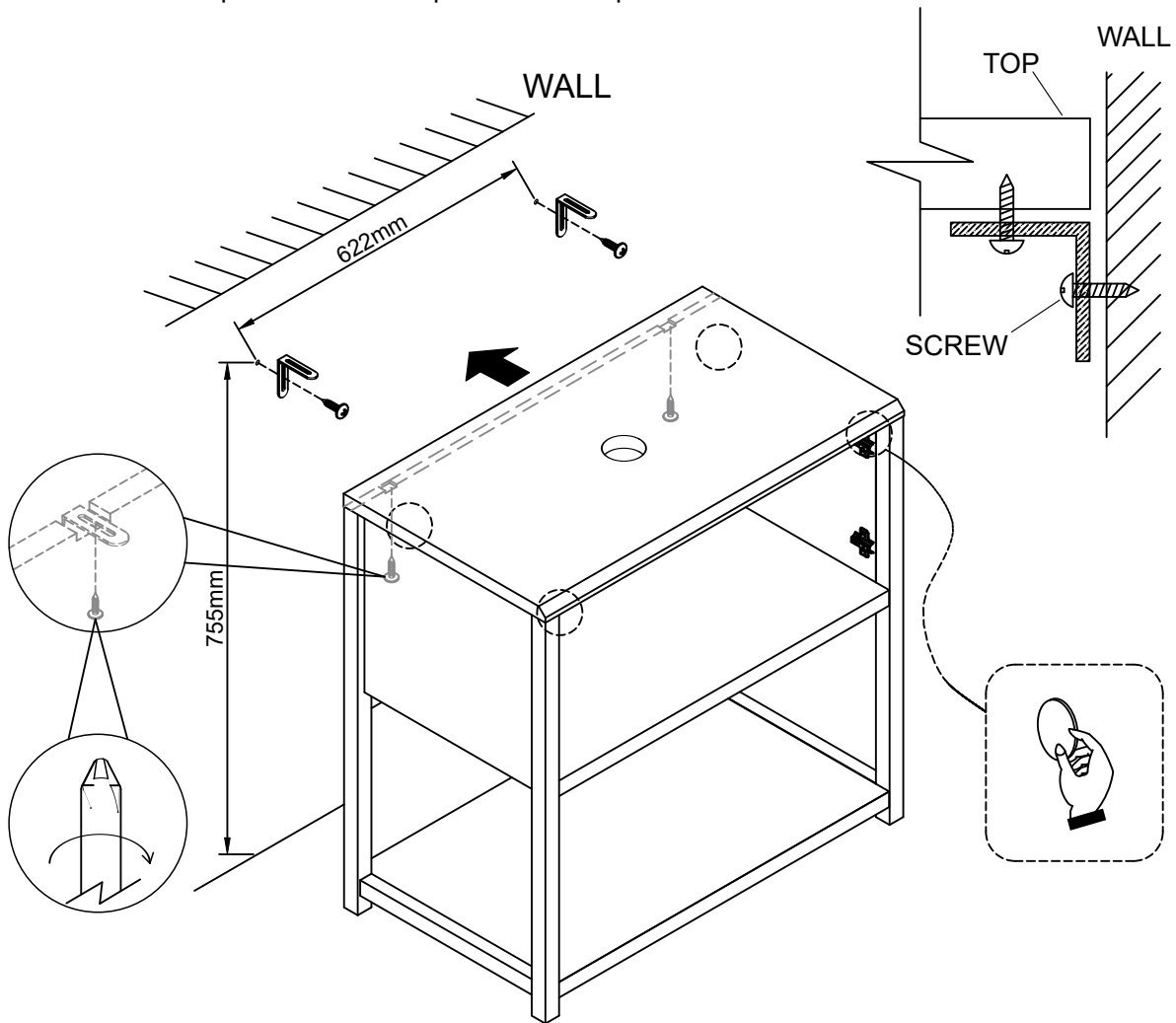
Assembly instructions

10

We recommend the use of the wall attachment bracket/strap provided for safety reasons. Move unit into desired position. Secure the 2X"L" metal brackets to the wall with an appropriate screw and wall plug for your wall type (not provided).

Warning: Always ensure intended wall area to be drilled is free from hidden electrical wires, water and gas pipes.

NB: Wall fixings are not included-Please source suitable fixing for your wall type. If in doubt please consult a qualified trades person.



O1	Ø21mm	4	
S41	Ø4 x 16mm	2	<small>PH12 not supplied</small>
N1	N/A	2	

WHEN LOOSENING THE CAM
TURN THE CAM IN A COUNTERCLOCKWISE DIRECTION UNTIL THE ARROW POINTS IN THE POSITION SHOWN IN THE DIAGRAMS BELOW

MAXIMUM LOCK

TURN TO UNLOCK

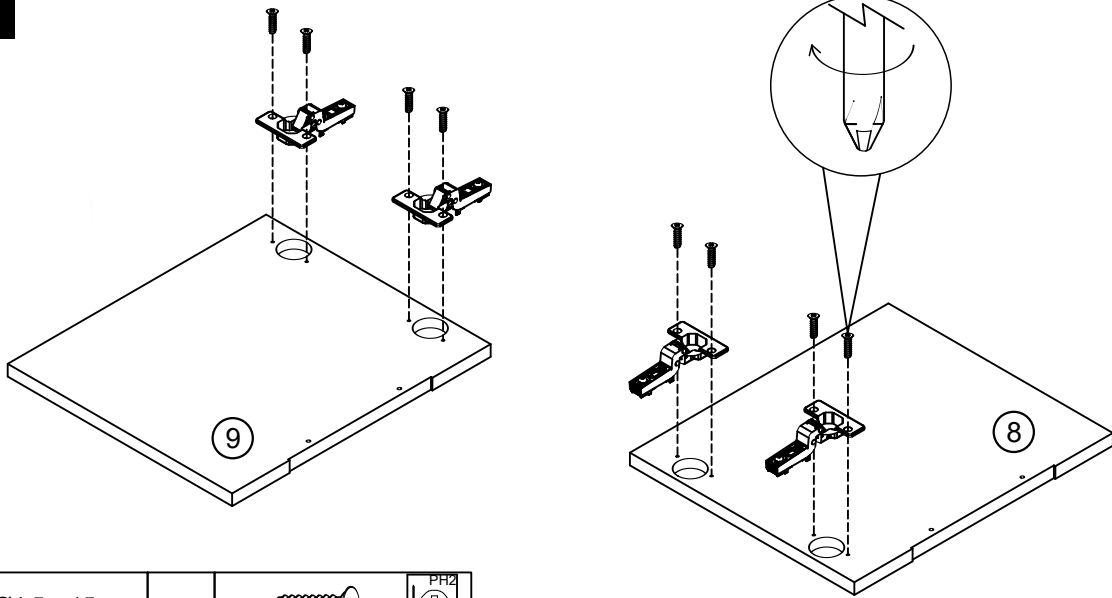
UNLOCKED


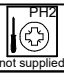

NEXT

BRONX FITTED SINK UNIT

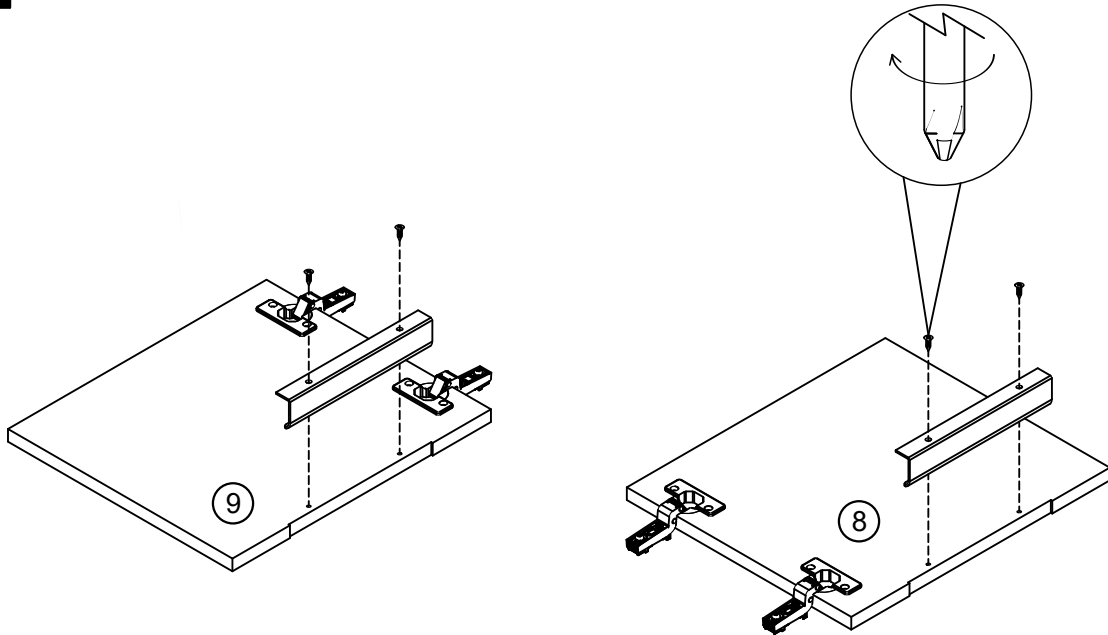
M82206
Assembly instructions

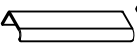

11



U139	Ø4.5 x 15mm	8		 not supplied
C11	N/A	4		

12



E39	N/A	2		 not supplied
-----	-----	---	---	---

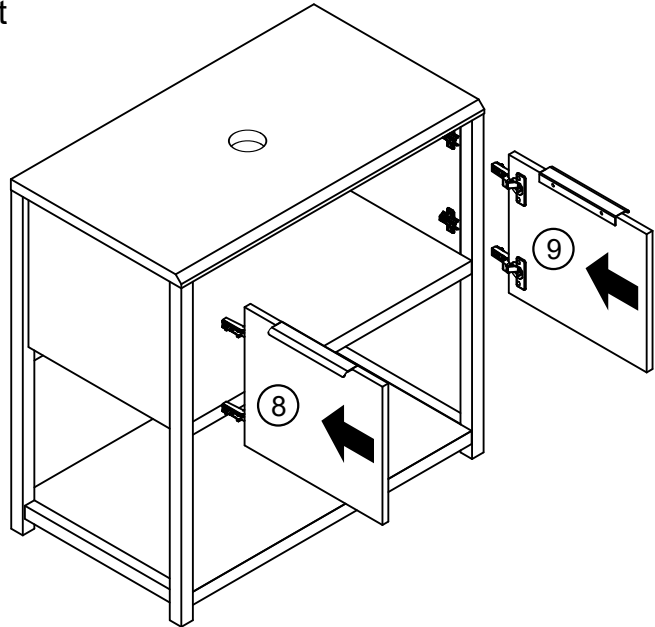
NEXT

BRONX FITTED SINK UNIT

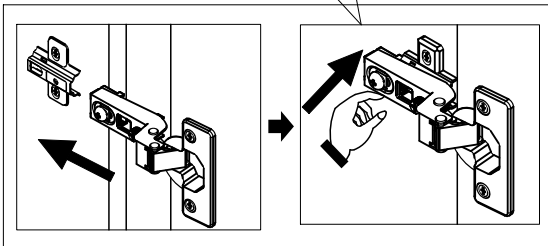
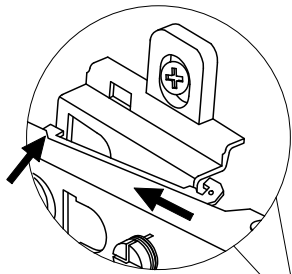
M82206
Assembly instructions

13

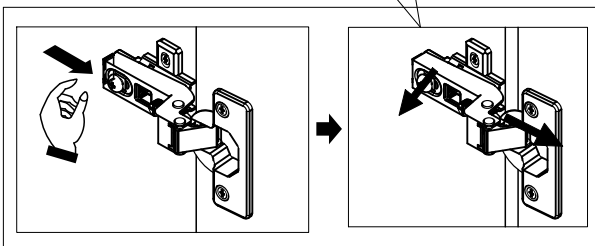
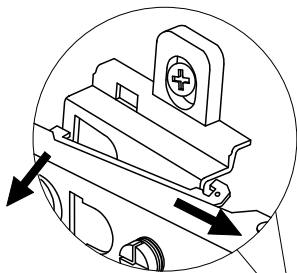
To align the door, please adjust the hinges as shown below.



Install hinge

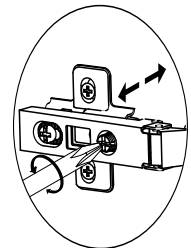


Remove hinge

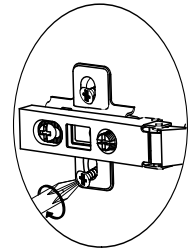
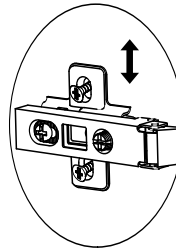
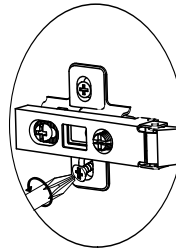


Adjust Hinge Position

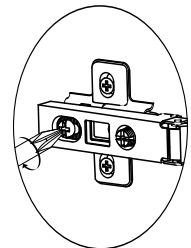
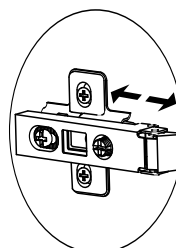
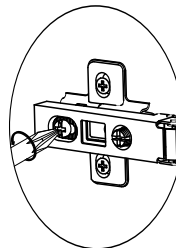
LATERAL



VERTICAL



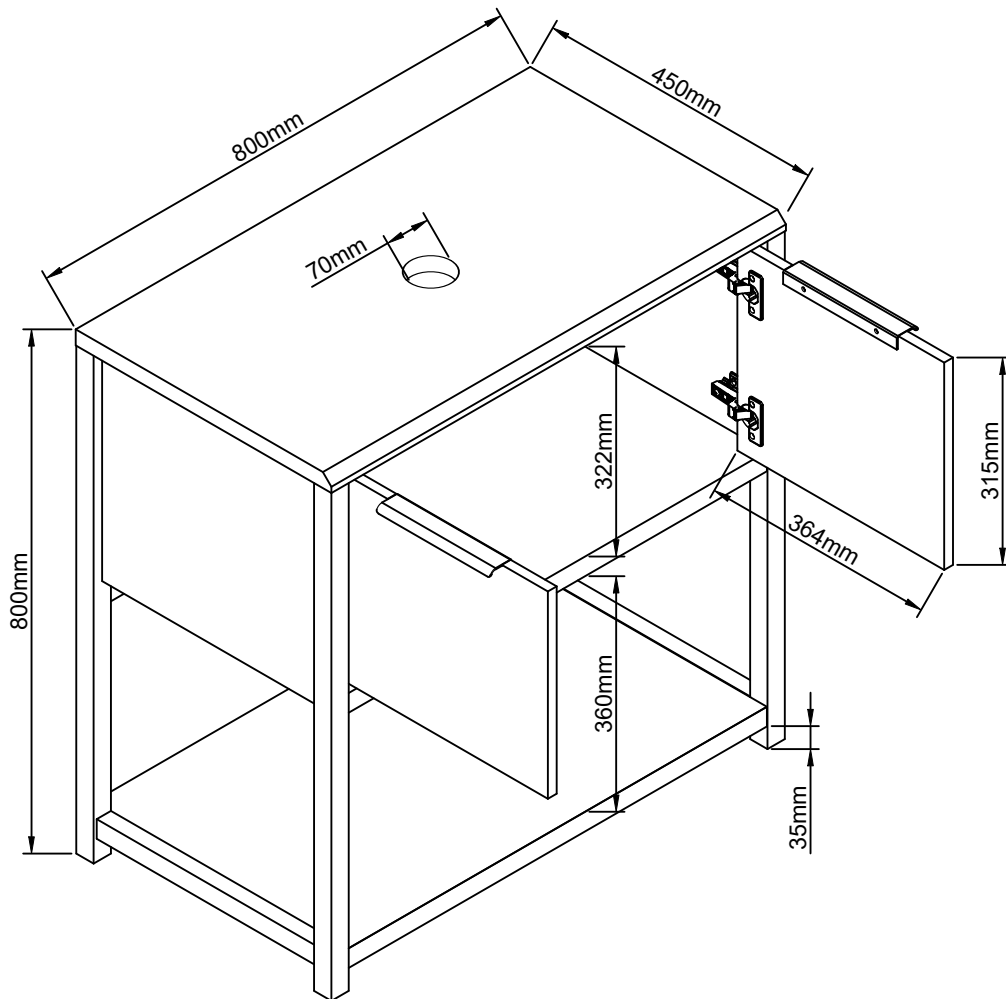
FRONT-TO-BACK



NEXT

BRONX FITTED SINK UNIT M82206

Actual product size
H80 x W80 x D45cm



NEXT

BRONX FITTED SINK UNIT M82206

Warnings

We suggest you retain these instructions for future reference.

Keep fittings out of children's reach and keep children well away from construction area.

This product should only be used on firm level ground.

Please periodically check all fittings and re-tighten as necessary.

Please do not sit or stand on your furniture.

Avoid exposing the furniture to excessive heat or direct sunlight as this can cause deterioration of the colour.

Unwrap all packaging materials and place the components on top of the carton box or on a clean floor to protect it from damage

Missing parts

If you are missing any fixtures and fittings for your product. Please contact our customer service team on 0333 777 8999 and they will be happy to arrange for a replacement to be sent to you free of charge.

Home service technicians

If you have a fault with your product, please contact our customer service team on 0333 777 8999. If you have had the product for 28 days or less you may be offered a replacement, refund or for a fully trained home service technician to visit your home to assess the fault and repair the product where possible. If you have had the product for more than 28 days we will send an independent home service technician to review and repair the product where possible and recommend further action.

You can write to us at

Home Customer Services
Next Retail Ltd.
Desford Road,
Leicester,
LE19 4AT

To view our full furniture range please visit www.next.co.uk