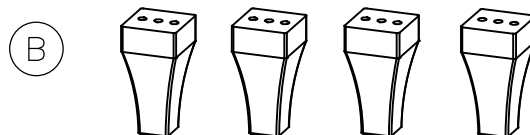
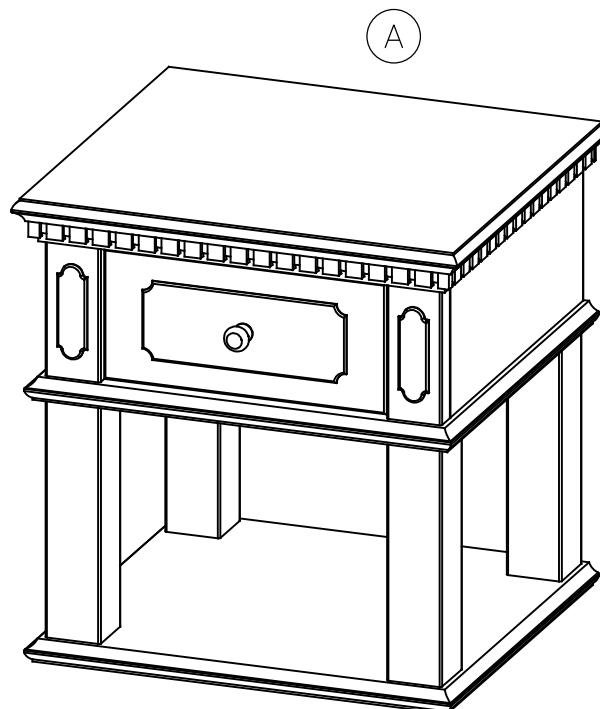
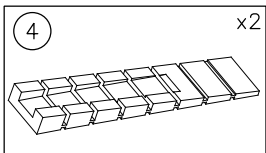
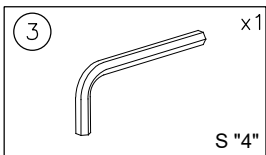
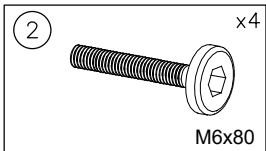
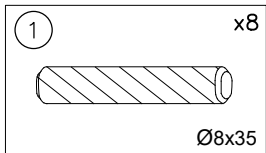
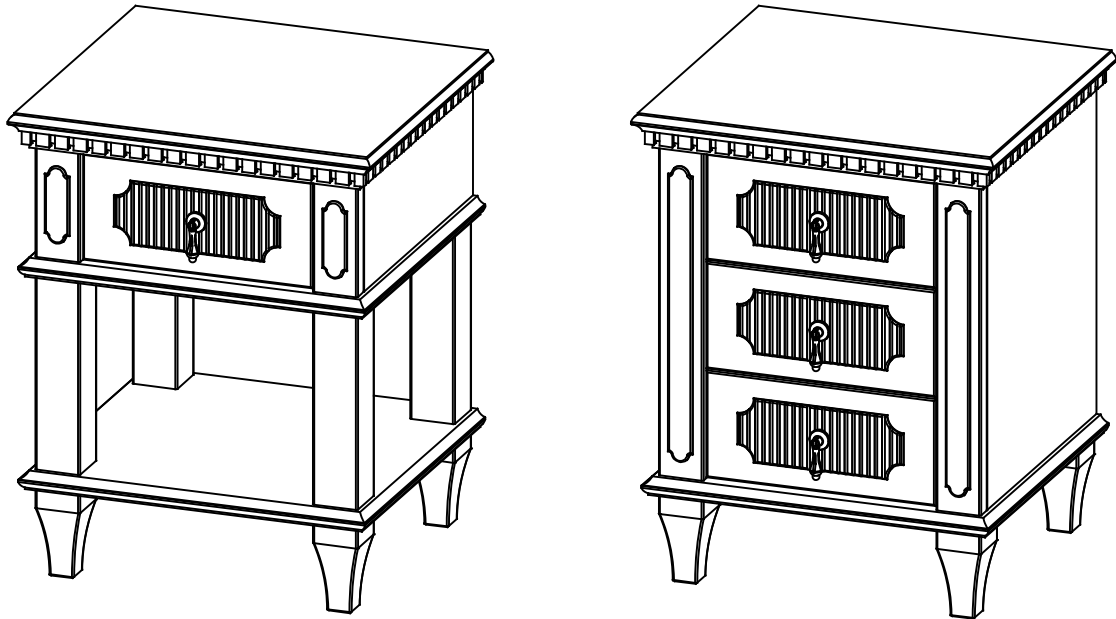


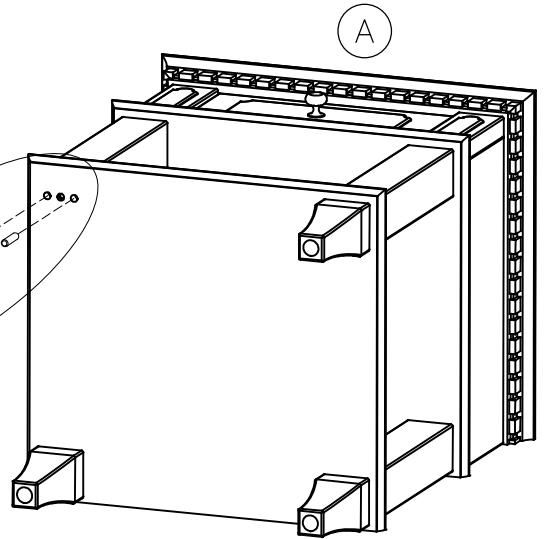
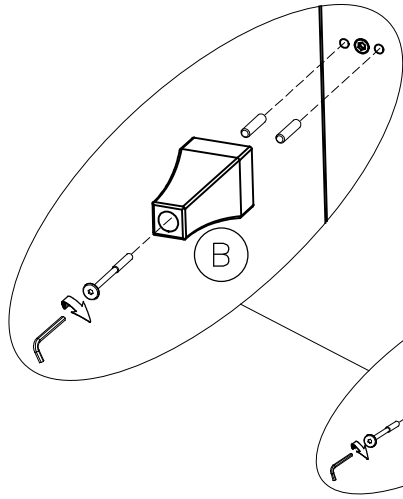
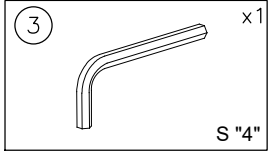
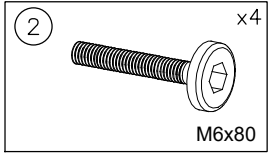
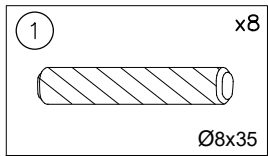
# ASSEMBLY INSTRUCTION

BARMOUTH

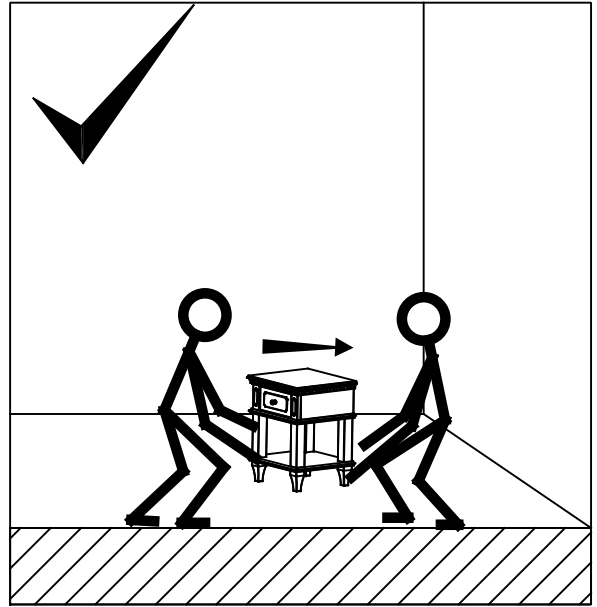
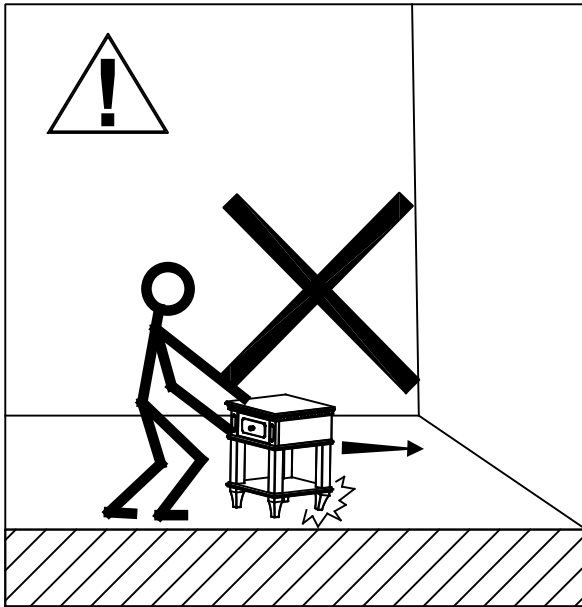
SIDE TABLE 1DRW. BRM0100 / SIDE TABLE 3DRW. BRM0101



1



2



3

