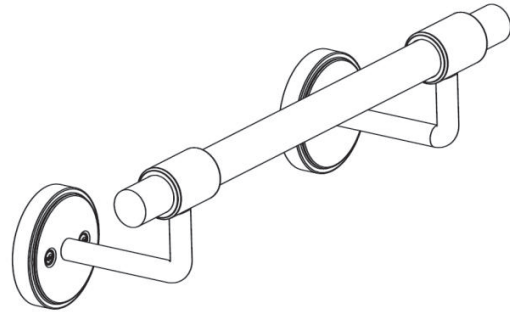
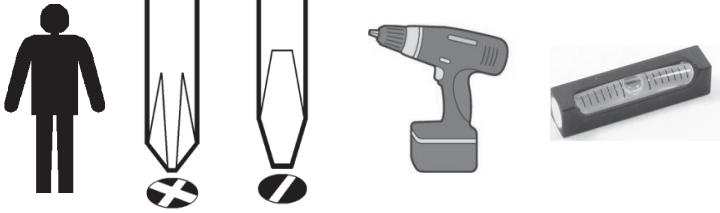


210x297mm

N41093 BRONX TOWEL RING

NEXT

Tools Needed



Helpline

If you have any problems with this product, please contact customer services Tel: 0333 777 8000

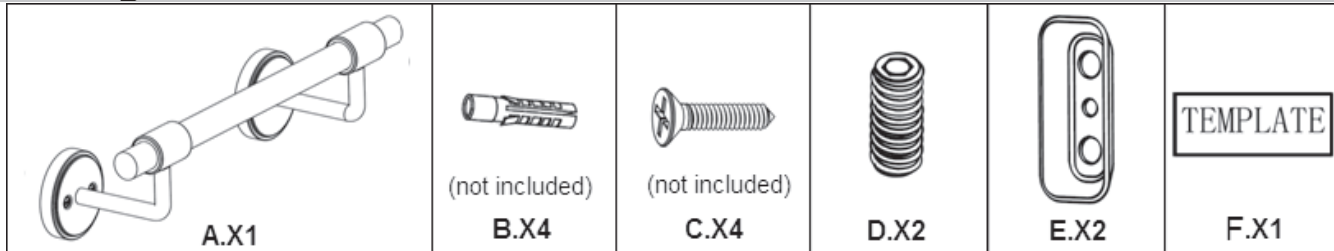
Important

- Please spend a short time reading through this leaflet and follow the simple step by step instructions.
- Carefully check that you have all parts before beginning assembly.
- Keep fittings out of children's reach and keep children away from construction.
- We suggest you retain this instruction for future reference.
- Please do not use abrasive cleaners on this product.
- Suggest to make periodic check to ensure that all screws are fully tightened.
- Please ensure wall fixings used are appropriate to your wall type. If in doubt, consult a qualified tradesperson.
- Wall plugs and wall fixings are not included.
- Made in China

Care instructions

- Do not use abrasive cleaners or cleaners containing bleach.
- To prevent corrosion ensure the product does not come into prolonged contact with water. Wipe away excess moisture.

Fittings



Assembly Instructions

Step 1. Use a mini flat head screwdriver to unfasten grub screws (D) to remove wall attachment (E) from product (A).

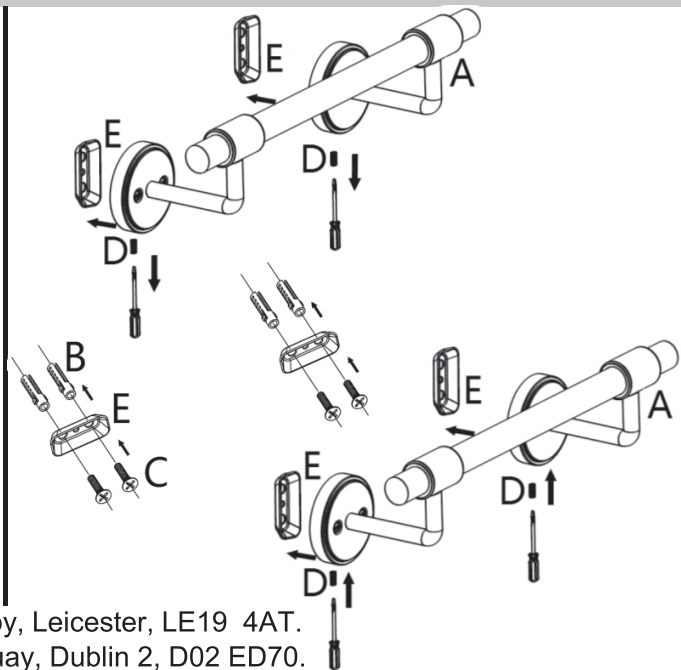
Step 2. Use template (F) to mark position of drill holes on the wall. Secure wall attachment to wall using wall plugs (B) and wall fixings (C).

(B) and (C) are not included.

Warning - Always ensure the area to be drilled is free from hidden electrical wires, water and gas pipes. Ensure wall plugs used are suitable for your wall type. If in doubt, consult a qualified tradesperson.

Step 3. Secure product (A) to wall attachment (E) by tighten grub screws (D) with a mini flat head screwdriver.

Step 4. Check to ensure that all screws are securely fixed.



NEXT Retail Ltd, Desford Road, Enderby, Leicester, LE19 4AT.
NEXT Retail (Ireland) Ltd, 13-18 City Quay, Dublin 2, D02 ED70.