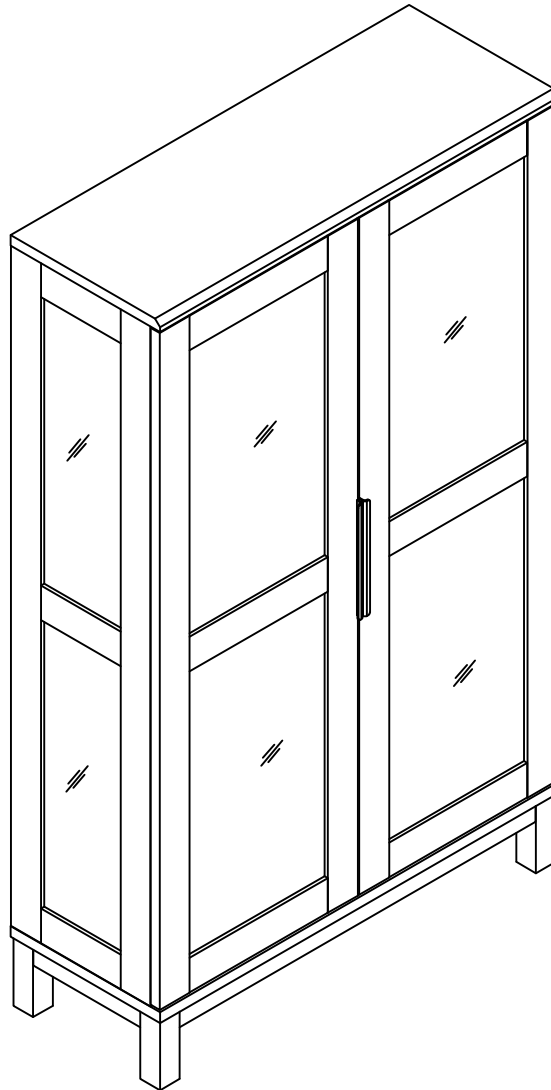


next

**BRONX SLIM GLAZED UNIT**  
T23361  
Assembly instructions

**Actual product size**

H133.5 x W80 x D30cm



**Need Help ?**

With: Assembly instruction  
Missing or damaged parts

**CALL: 0333 777 8999**

**IMPORTANT -  
RETAIN FOR FUTURE REFERENCE**

## BEFORE YOU START

### Number of people required to assemble **IMPORTANT INFORMATION**

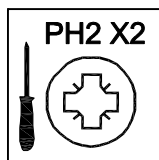
Two people are required to assemble this item



**Time to assemble : 30 minutes**



### Tools required



not supplied

### Do's

We suggest you spend a short time reading through this leaflet before you start.

When you are ready to start, make sure that you have the right tools and plenty of space.

Unwrap all packaging materials and place the components on a clean surface to protect it from damage,

We recommend that the packaging is used to protect the surfaces during assembly.

Carefully check that you have all the parts before beginning assembly.

Due to the size of this product we recommend that it is assembled in the room intended for use.

Ensure the product is fully assembled as illustrated and all fixings fully tightened before use.

Wipe occasionally with a soft cloth slightly dampened with water. Then buff with a dry clean soft cloth.

Wood will mellow and change colour over time, we recommend that ornaments and items placed on the surface are moved regularly for the first few months to prevent uneven mellowing.

### Don'ts

Do not drag or pull your furniture.

Do not rub or scrub the surface when cleaning.

Do not use silicone based furniture polish. Silicone in furniture polishes can break down the finish.

Never allow any kind of liquid to remain on your furniture. Absorption can cause wood to warp or finishes to de-laminate.

Do not place hot items (e.g. hot drinks) directly on to the wood surface. Please make sure you use a placemat or coaster.

This product contains Safety glass (also known as Toughened glass)

If broken, it is designed to break safely and shatter into many small pieces rather than large shards. However, please note that the edges of these pieces can still be sharp, so care is needed when handling them.

Safety glass is stronger than regular glass to better withstand the wear and tear of everyday use, but some basic precautions need to be taken to prolong its life:

#### DO:

- Always use a coaster or table mat to protect the glass from very hot or cold cups, glasses or plates etc.
- Take care when placing items on the glass surface so as not to damage it
- Take particular care not to damage the edge of the glass surface - this type of damage can cause the whole panel to shatter. If you notice damage on the edge of the glass, contact a local glazier for advice.

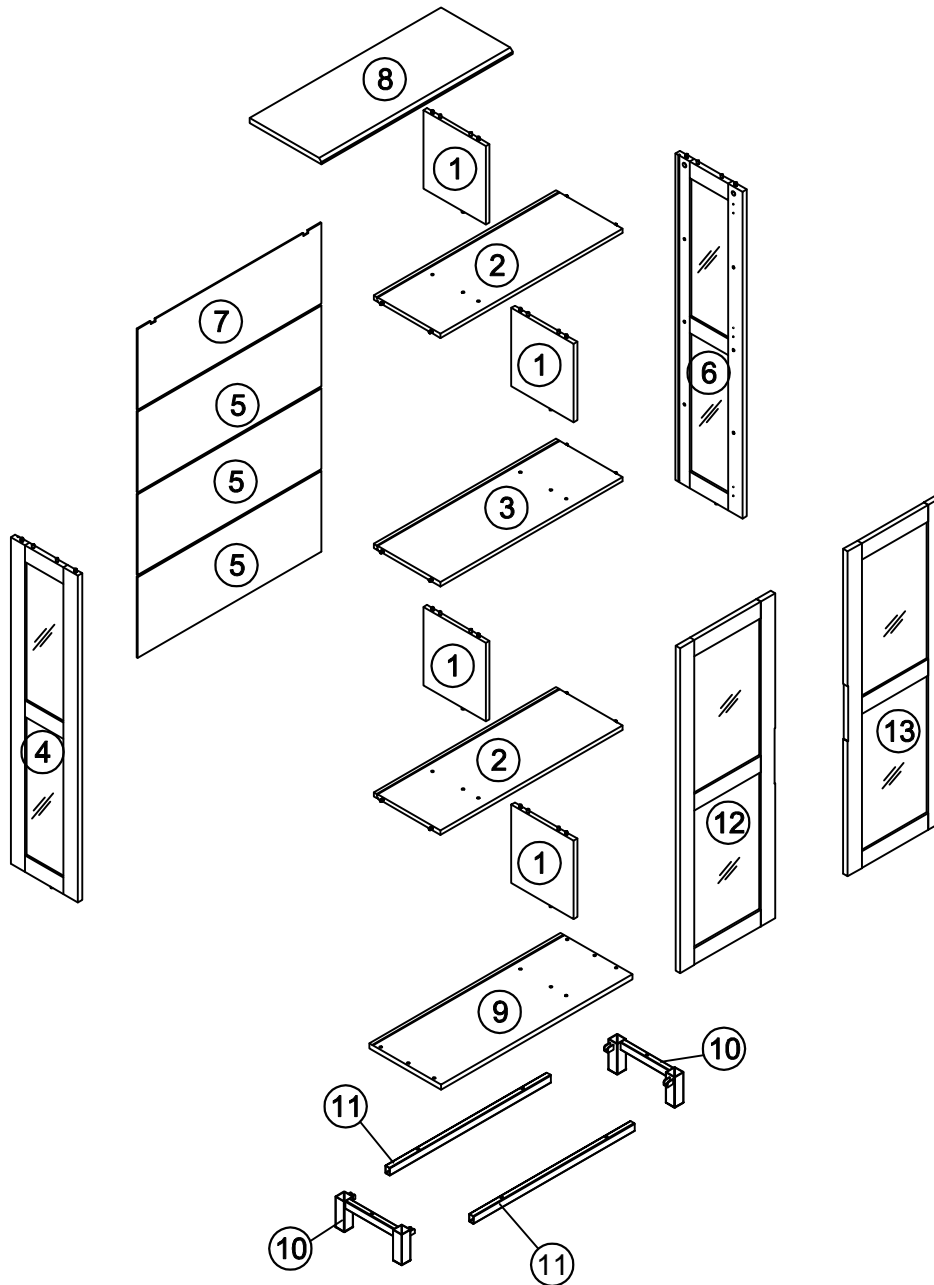
#### DO NOT:

- Place heavy items on the glass surface
- Position the unit near direct heat (e.g. in front of a radiator or other strong heat source) as this can cause internal stress in the glass and cause it to shatter.
- Use it as a chopping board.
- Strike the glass with hard or pointed objects.


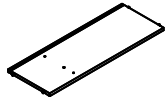
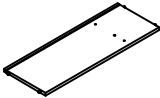
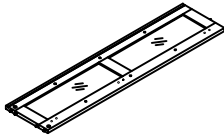
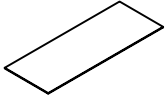
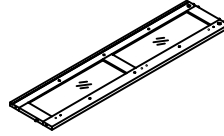
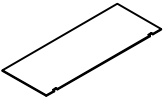
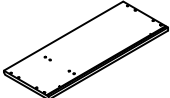
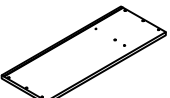
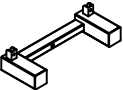

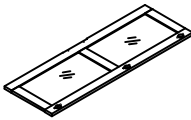
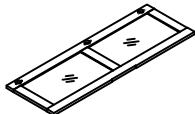
#### CARE INSTRUCTIONS:

- To clean the glass, use a proprietary glass cleaner and a soft cloth. Do not use abrasive cleaners as they can damage the finish of the glass.
- If the glass will be in direct sunlight, ensure that drops of liquid etc are removed as they can focus the sun's light and cause damage to your furnishings.
- Sunlight reflecting from the glass surface can reflect onto other surfaces in your home, so if you have items likely to be affected by this, please ensure you position them accordingly, or shade the sunlight as required.

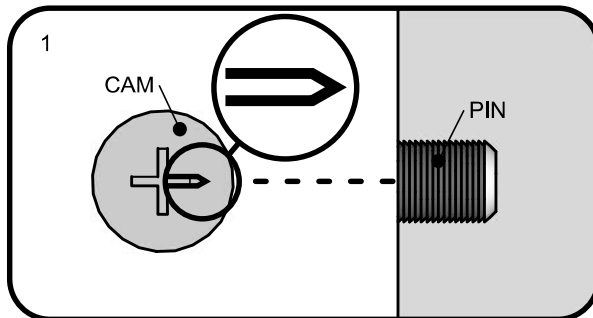
## GETTING TO KNOW YOUR PRODUCT



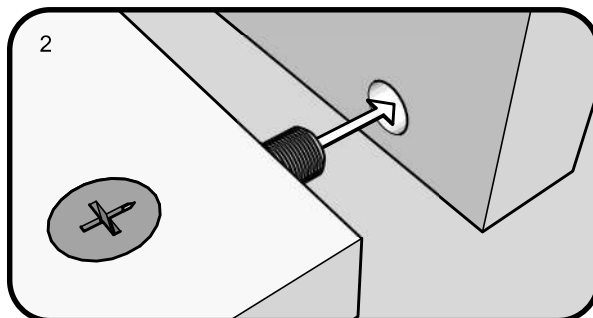
Components supplied. Please use this guide if you require replacement parts.

Ref	Dimensions	Visual	Qty	Ctn
1	25.5 x 28.5cm		4	1
2	27.5 x 76cm		2	1
3	27.5 x 76cm		1	1
4	28 x 118cm		1	2
5	29 x 77cm		3	1
6	28 x 118cm		1	2
7	29 x 77cm		1	1
8	30 x 80cm		1	1
9	30 x 80cm		1	1
10	12 x 29.5cm		2	1
11	3 x 71.5cm		2	1
12	40 x 117.5cm		1	2
13	40 x 117.5cm		1	2

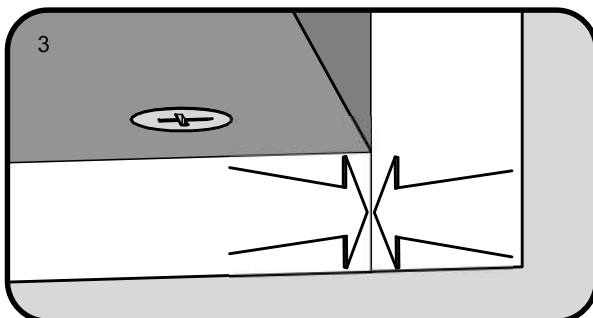
## TITUS TIGHTENING INSTRUCTIONS



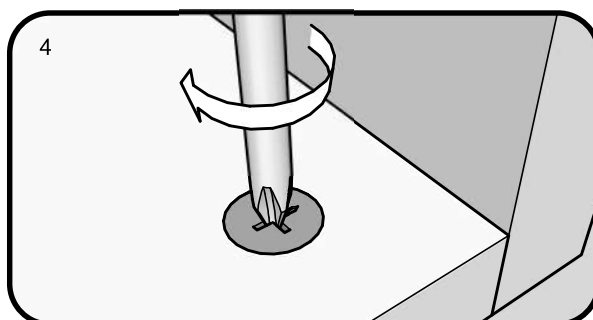
Line up the arrow on the CAM with the PIN.



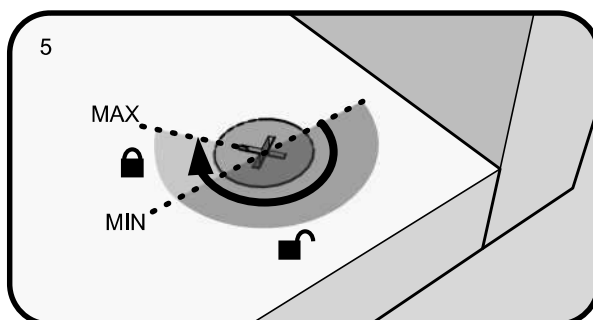
Push the pins into the holes in the panel to be joined.



Make sure there is no gap between the panels.



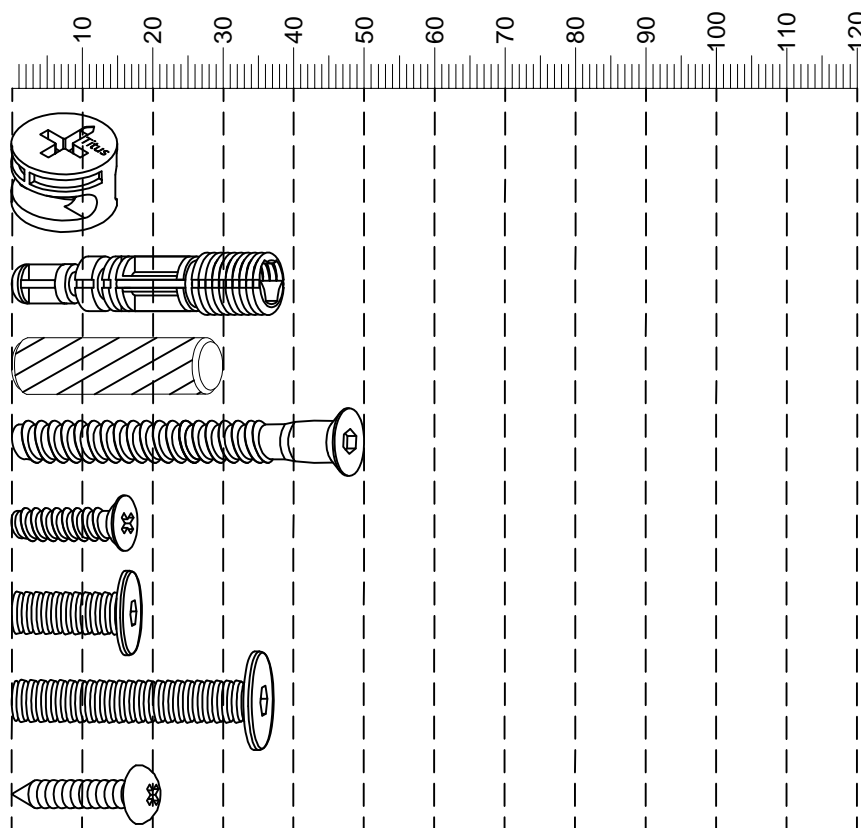
Use a cross-point screwdriver (PH2 or PZ2 is ideal) to tighten the cams and lock the panels together.



The panels are locked when each cam is turned to between 1/2 and 2/3 of a full turn (Maximum rotation)

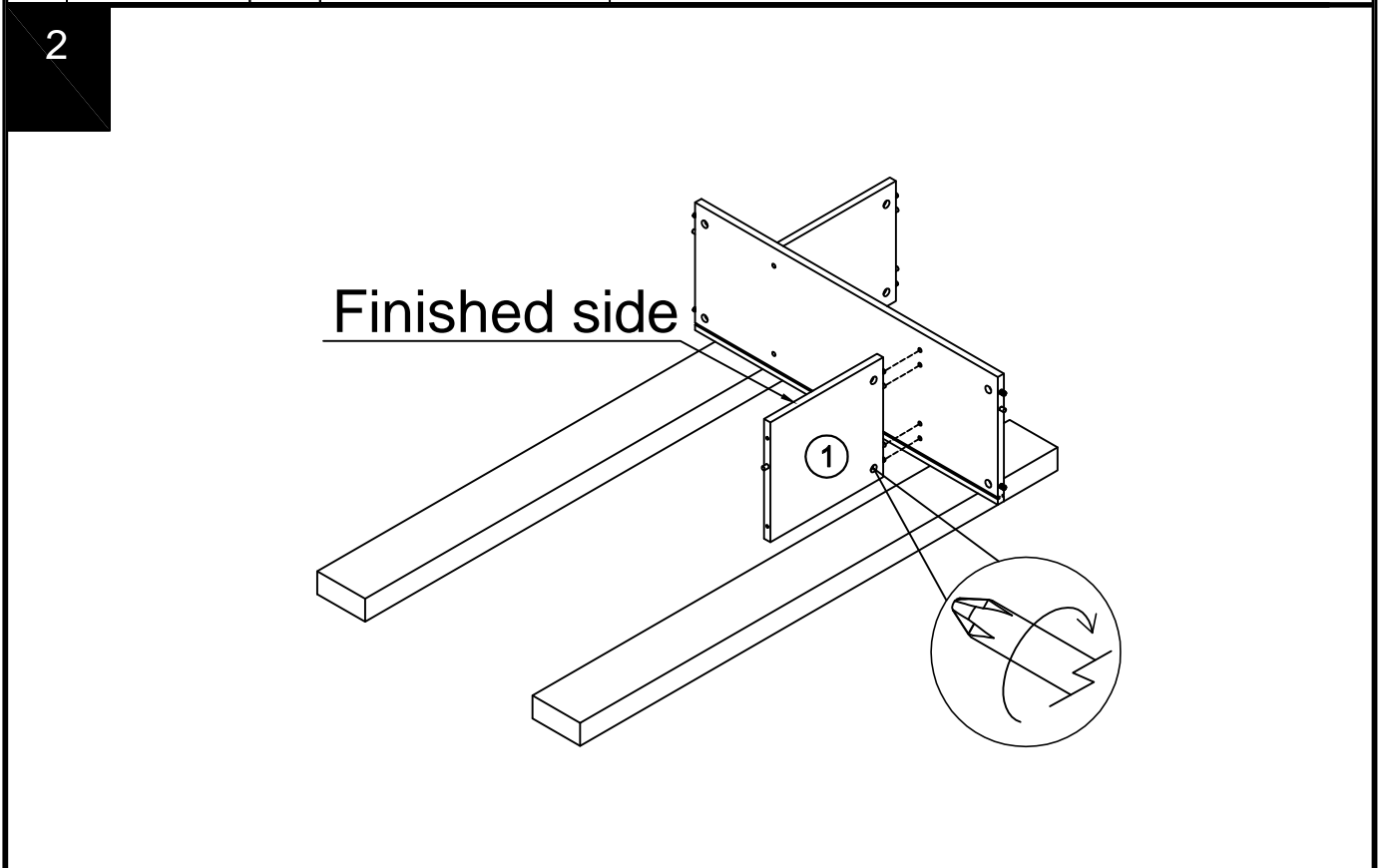
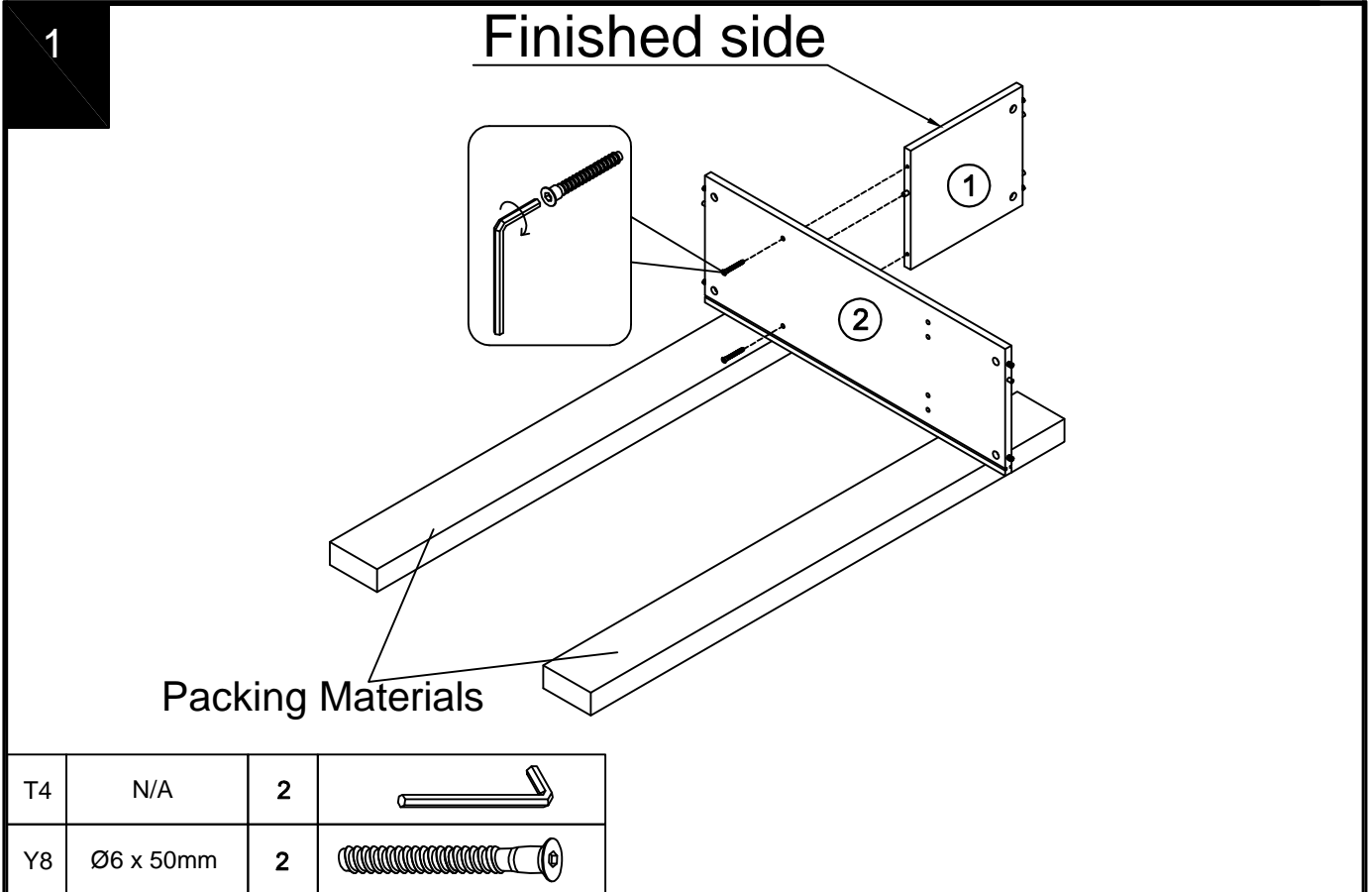
**Fixtures and fittings supplied (actual size)**

Ref	Dimensions	Qty	Spare Qty
B3	Ø15 x 12mm	N/A	2
B8	Ø8 x 38mm	N/A	2
D6	Ø8 x 30mm	N/A	2
Y8	Ø6 x 50mm	12	2
U139	Ø4.5 x 15mm	24	2
X31	Ø6 x 16mm	4	1
V68	Ø6 x 40mm	6	1
S41	Ø4 x 16mm	2	1

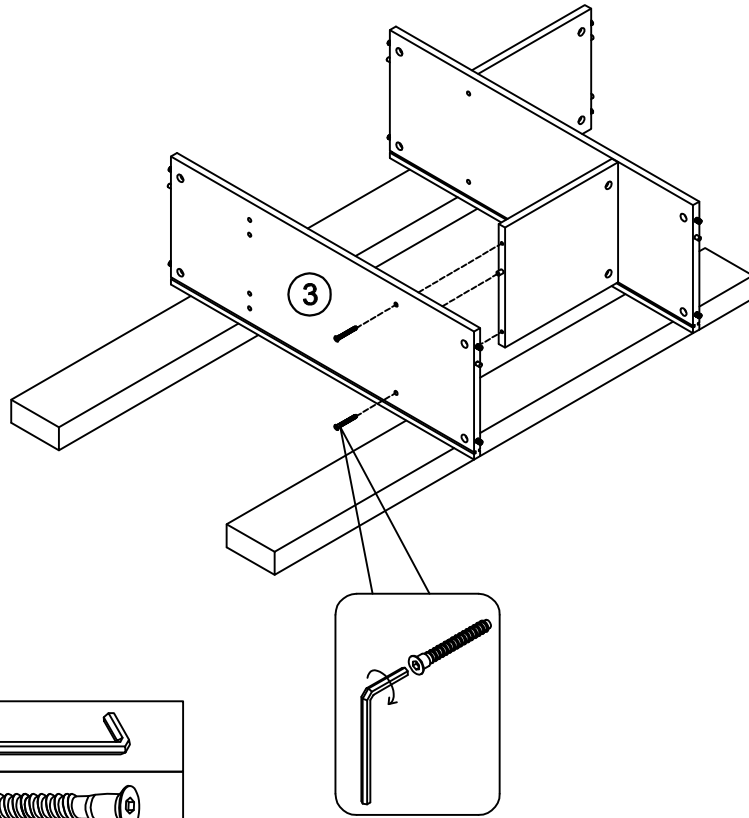




**Fixtures and fittings supplied ( not to scale)**

Ref	Dimensions	Qty	Spare Qty	Visual
T4	N/A	2	N/A	
C16	N/A	6	N/A	
T38	N/A	12	2	
N1	N/A	2	N/A	
O1	Ø21mm	12	2	
E39	N/A	2	N/A	



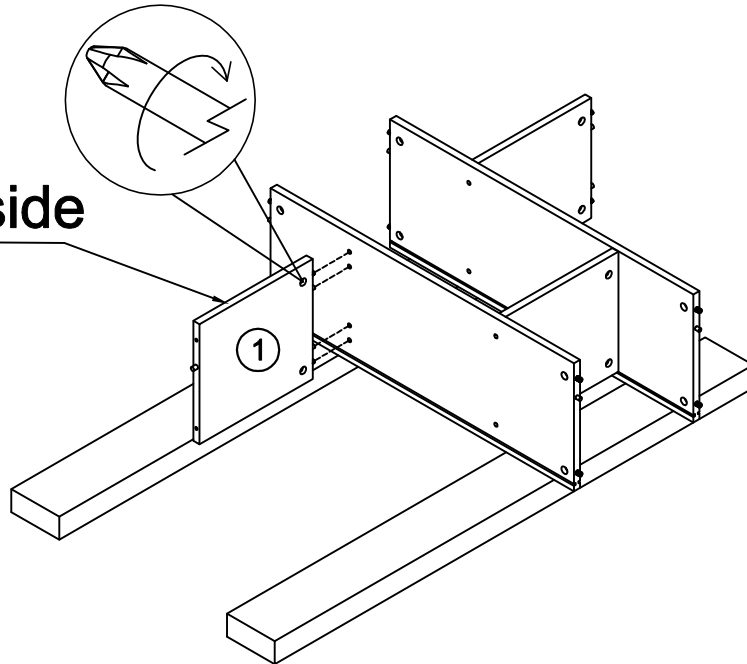
3



T4	N/A	2	
Y8	Ø6 x 50mm	2	

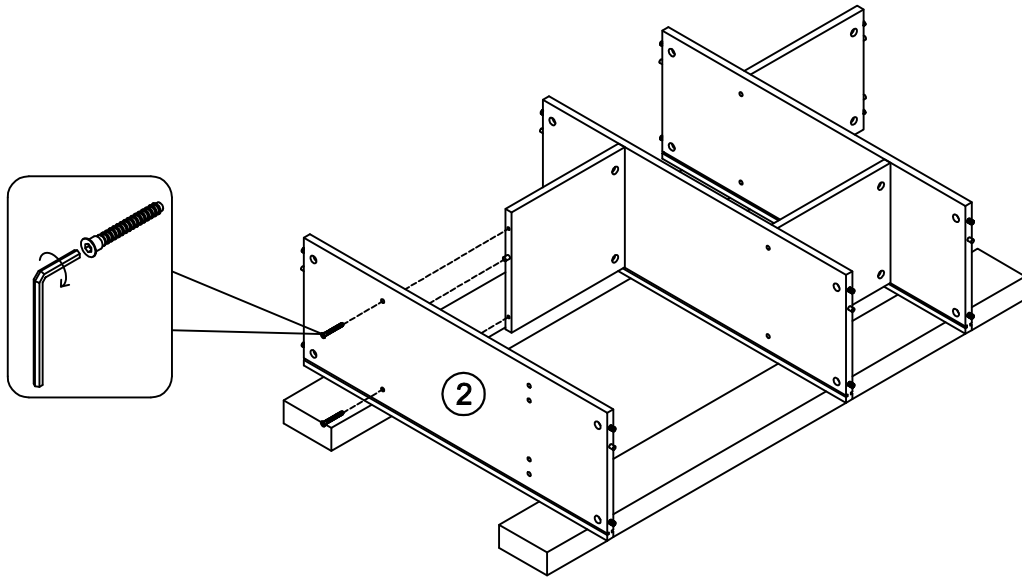
4



Finished side





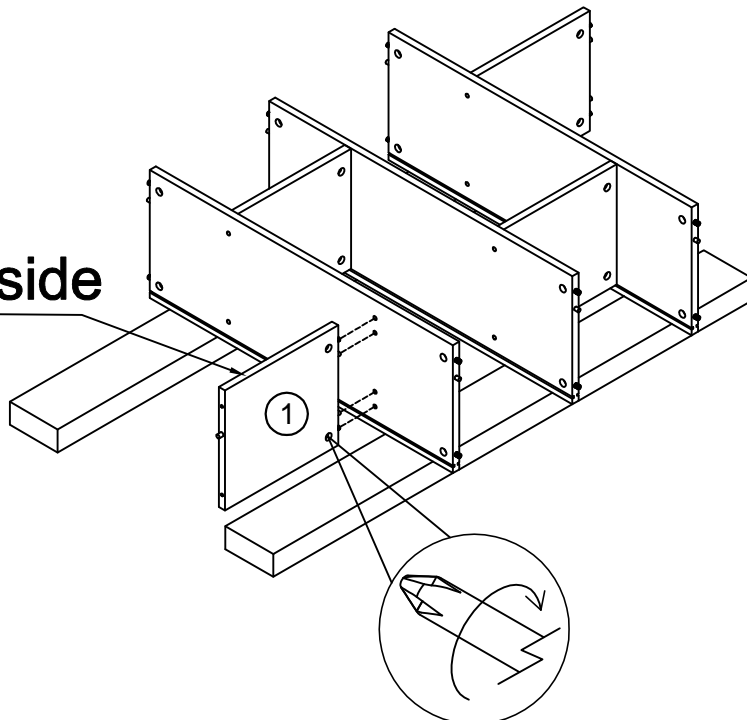
5



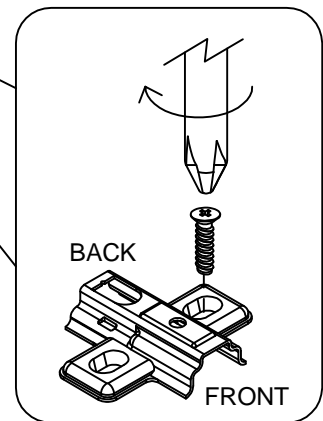
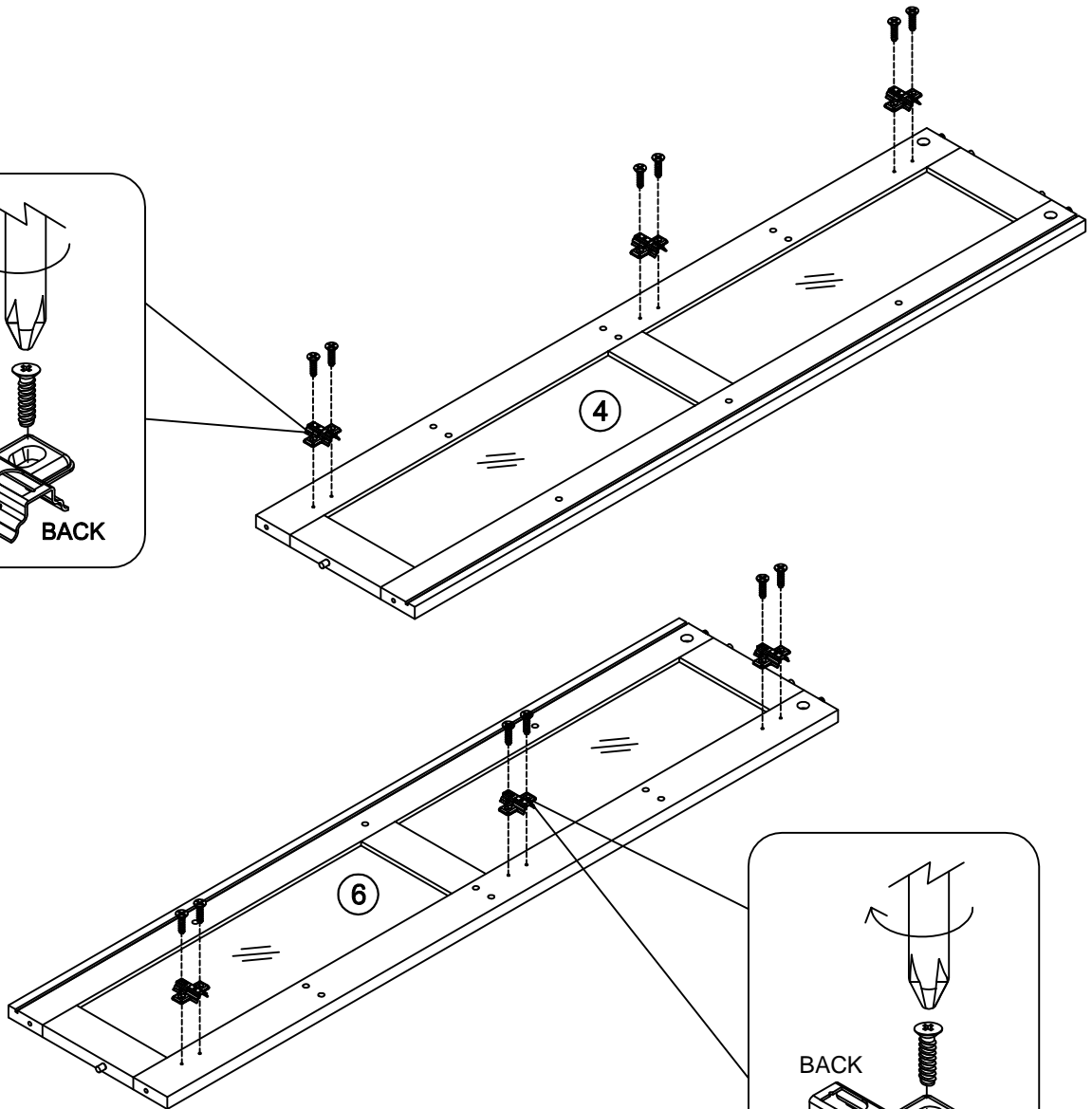
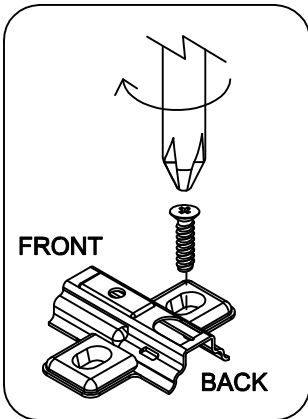
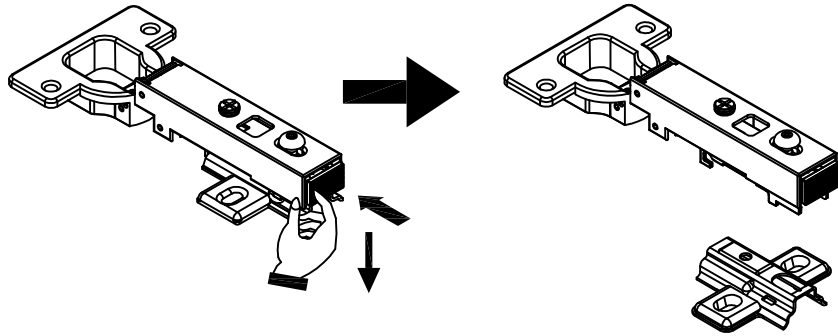
T4	N/A	2	
Y8	Ø6 x 50mm	2	




6

Finished side

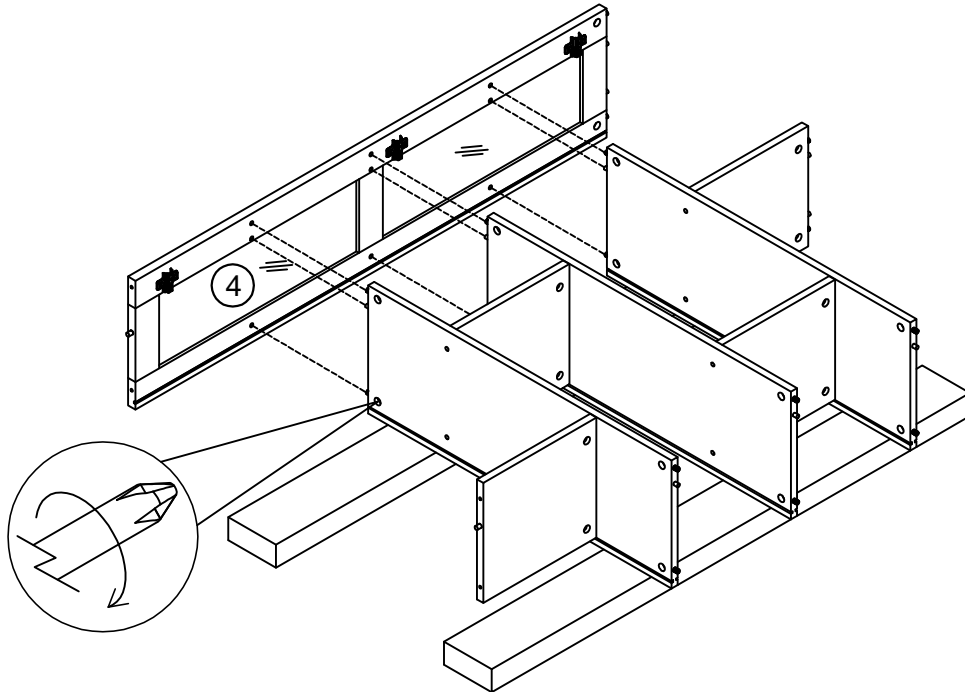


7

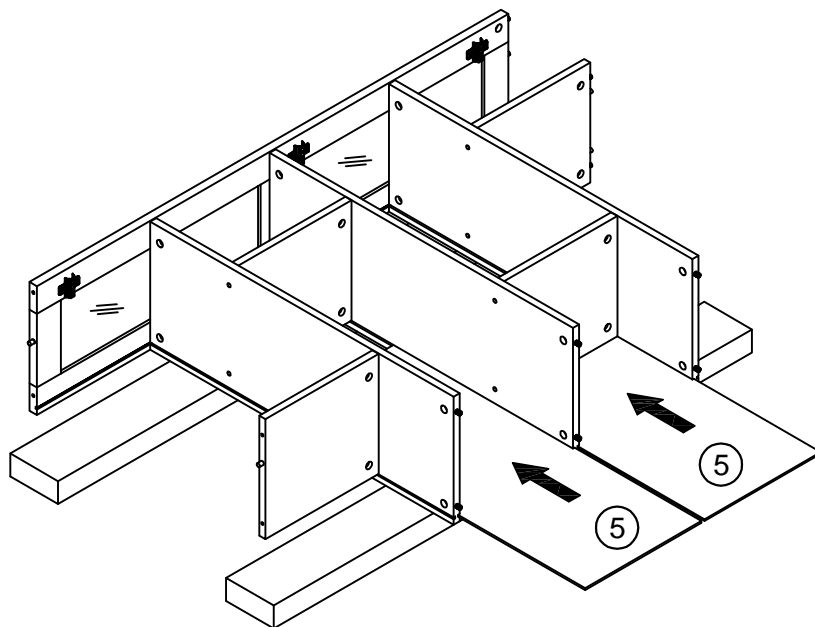


C16	N/A	6	
U139	Ø4.5 x 15mm	12	 

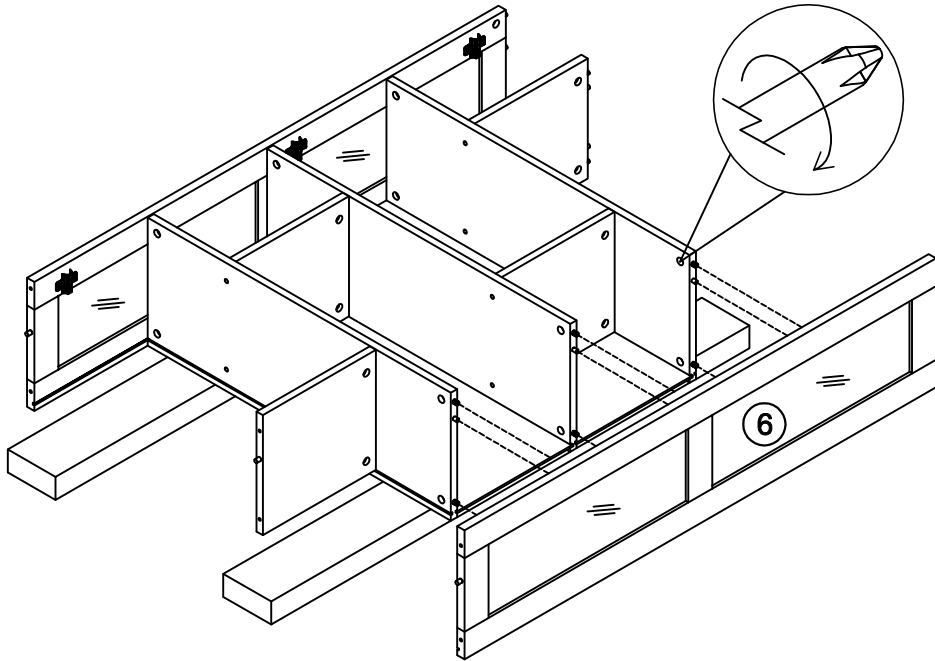
8



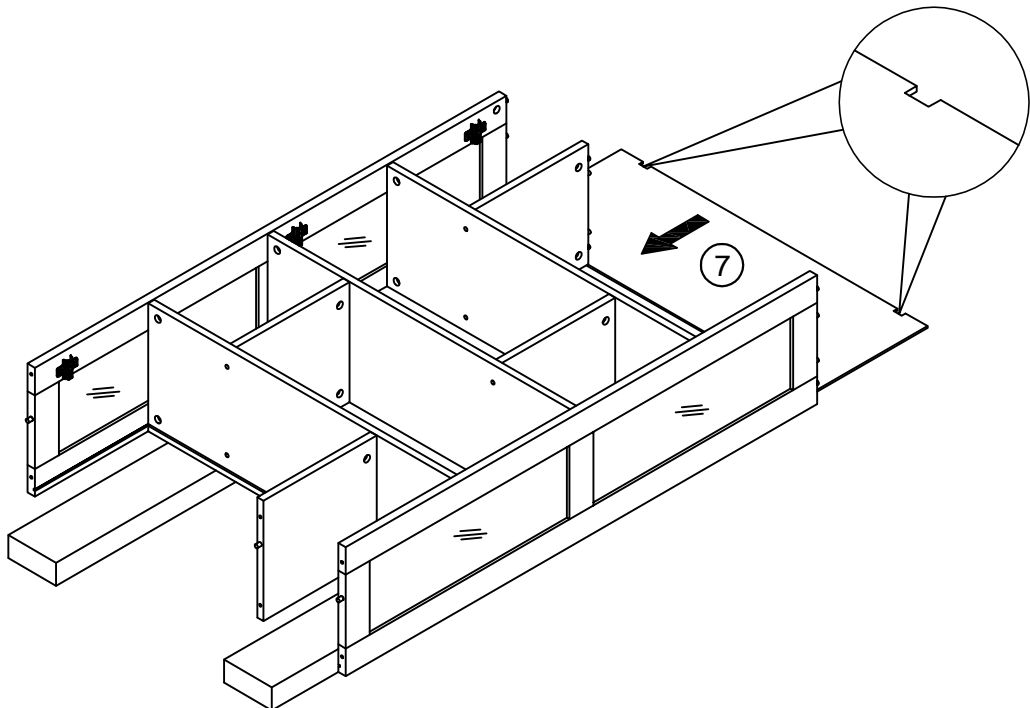
9



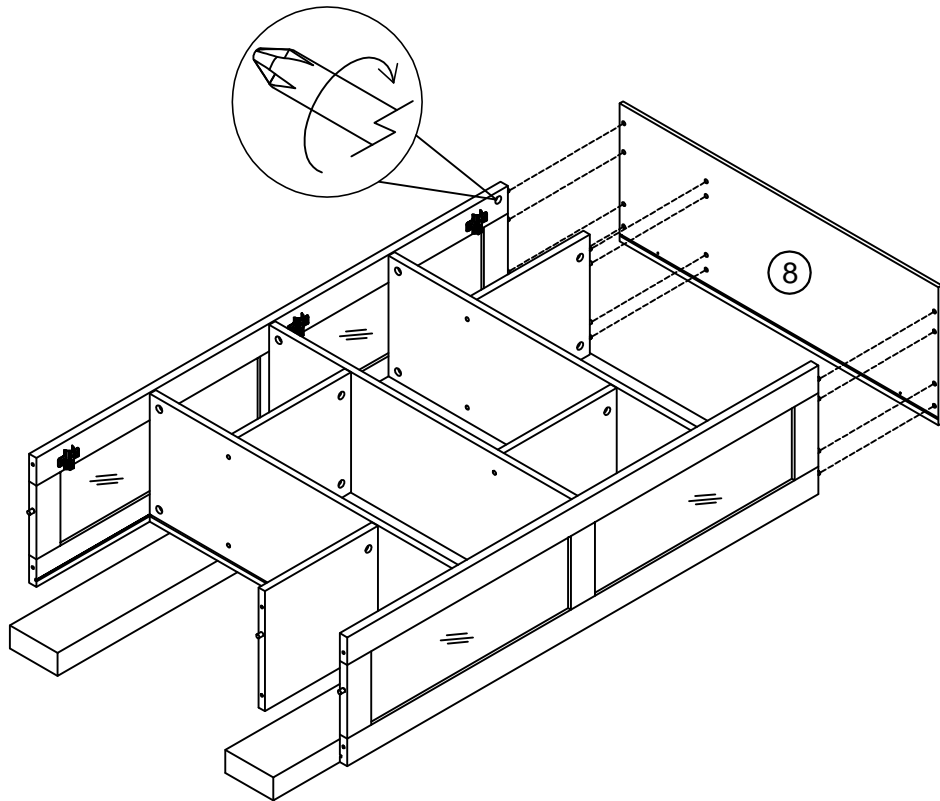
10



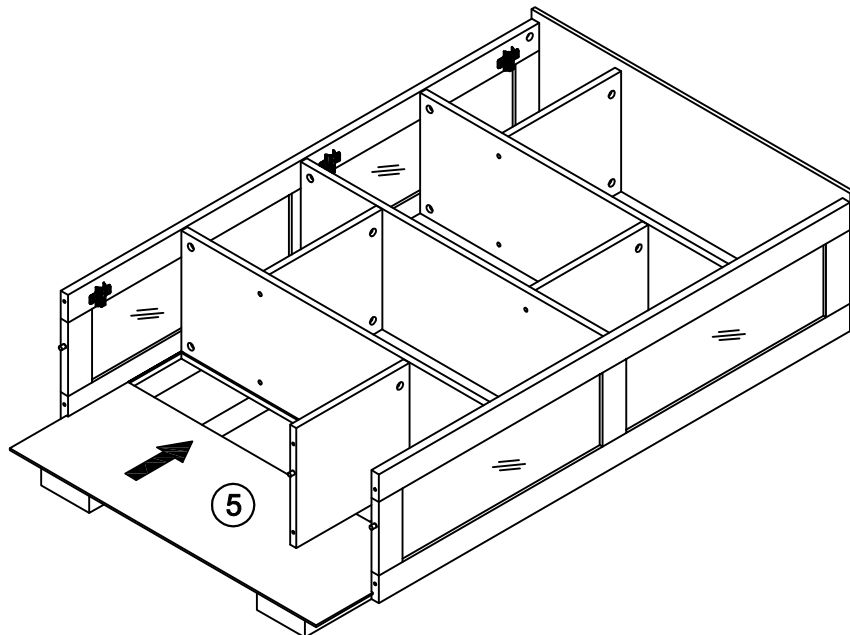
11



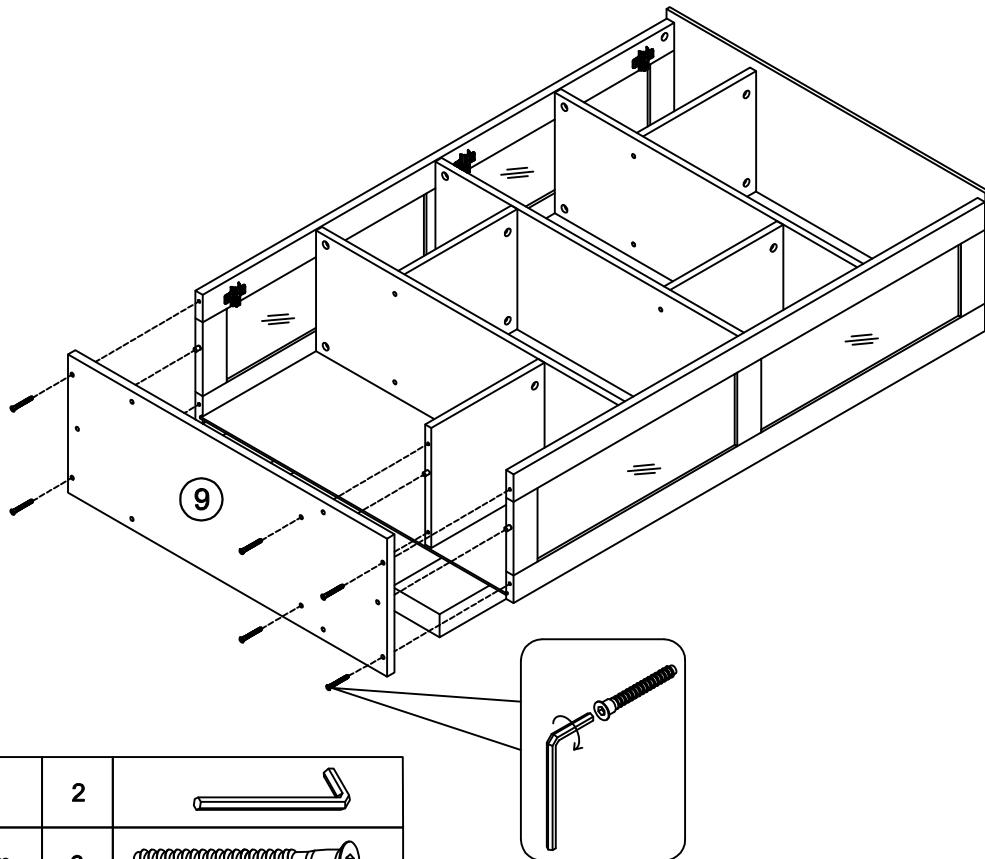
12

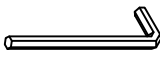



13

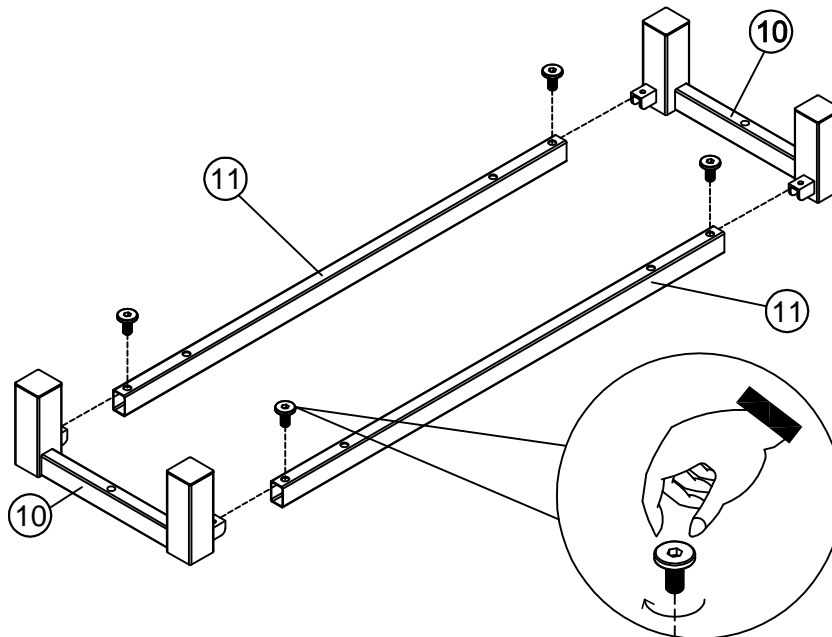


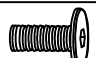
14



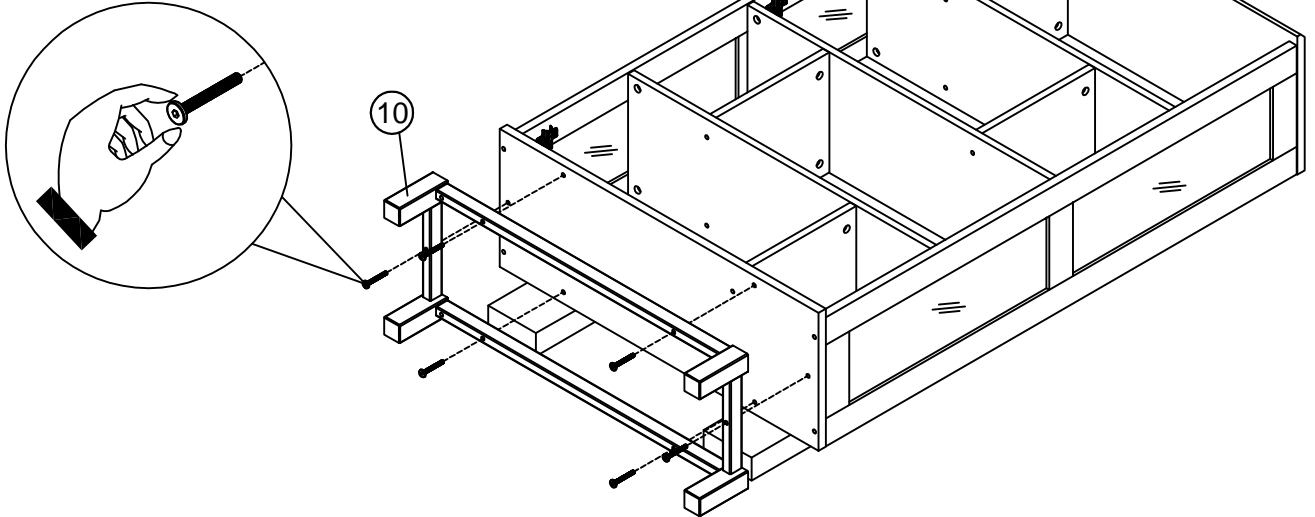
T4	N/A	2	
Y8	Ø6 x 50mm	6	


15



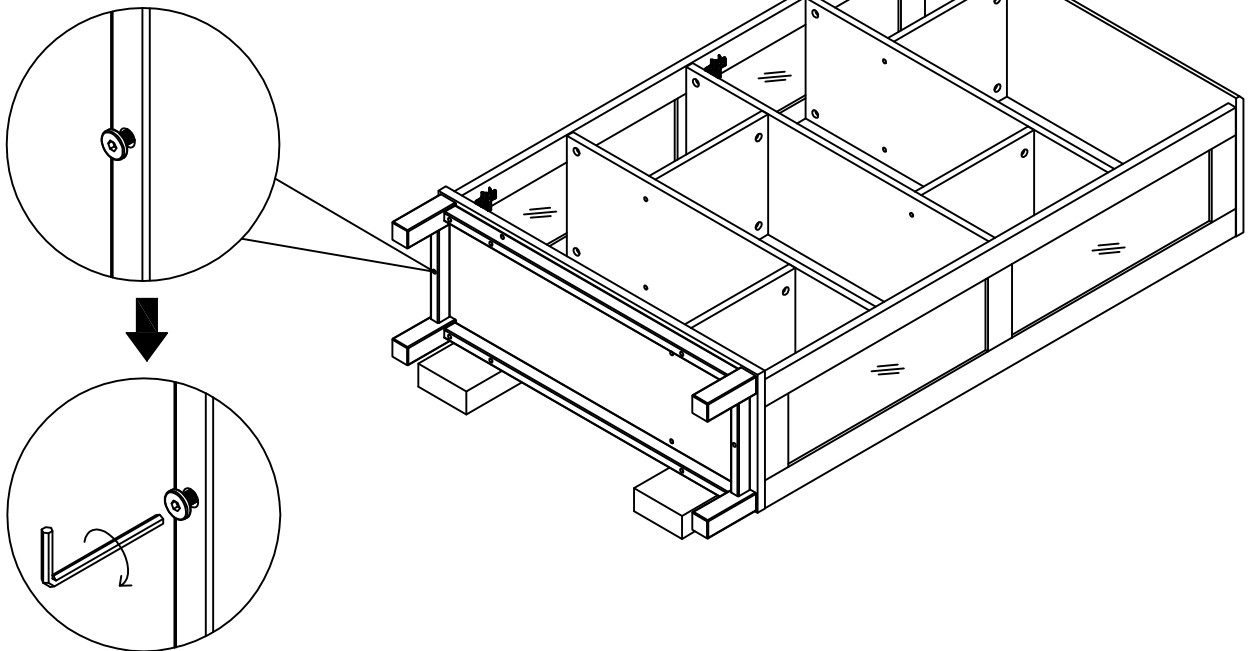
X31	Ø6 x 16mm	4	
-----	-----------	---	---

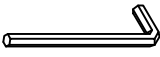
16



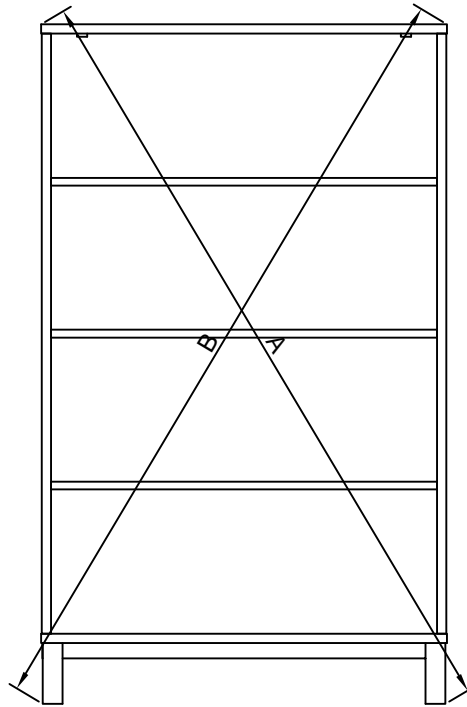
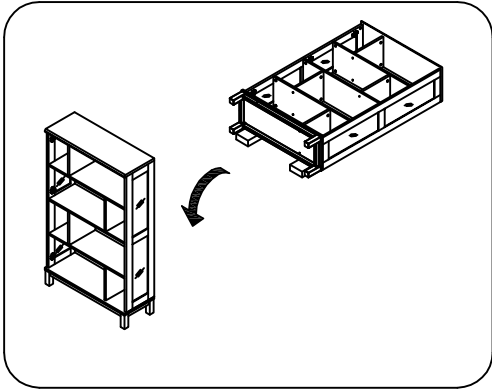
V68	Ø6 x 40mm	6	
-----	-----------	---	---

17



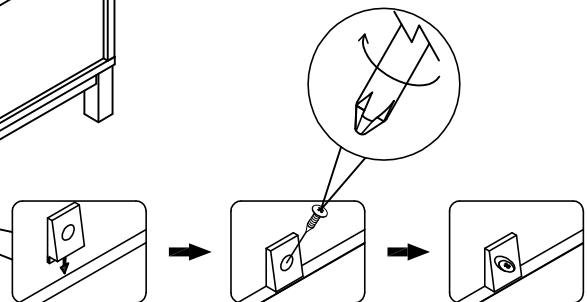
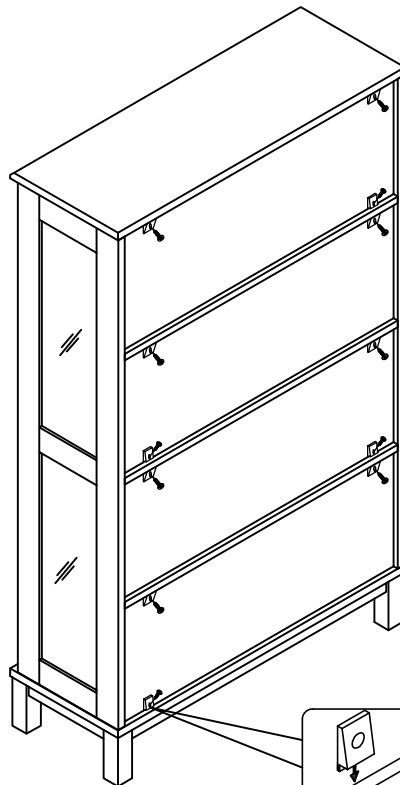
T4	N/A	2	
----	-----	---	---

18



A=B

19



T38

N/A

12



not supplied

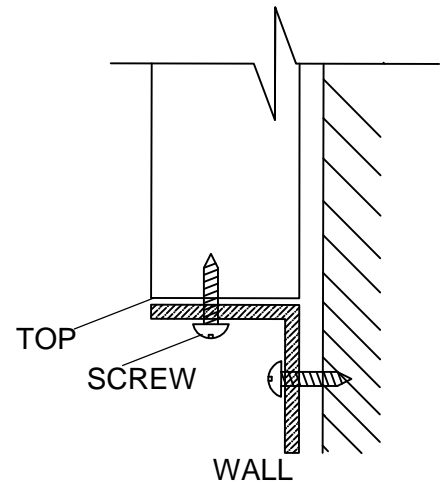
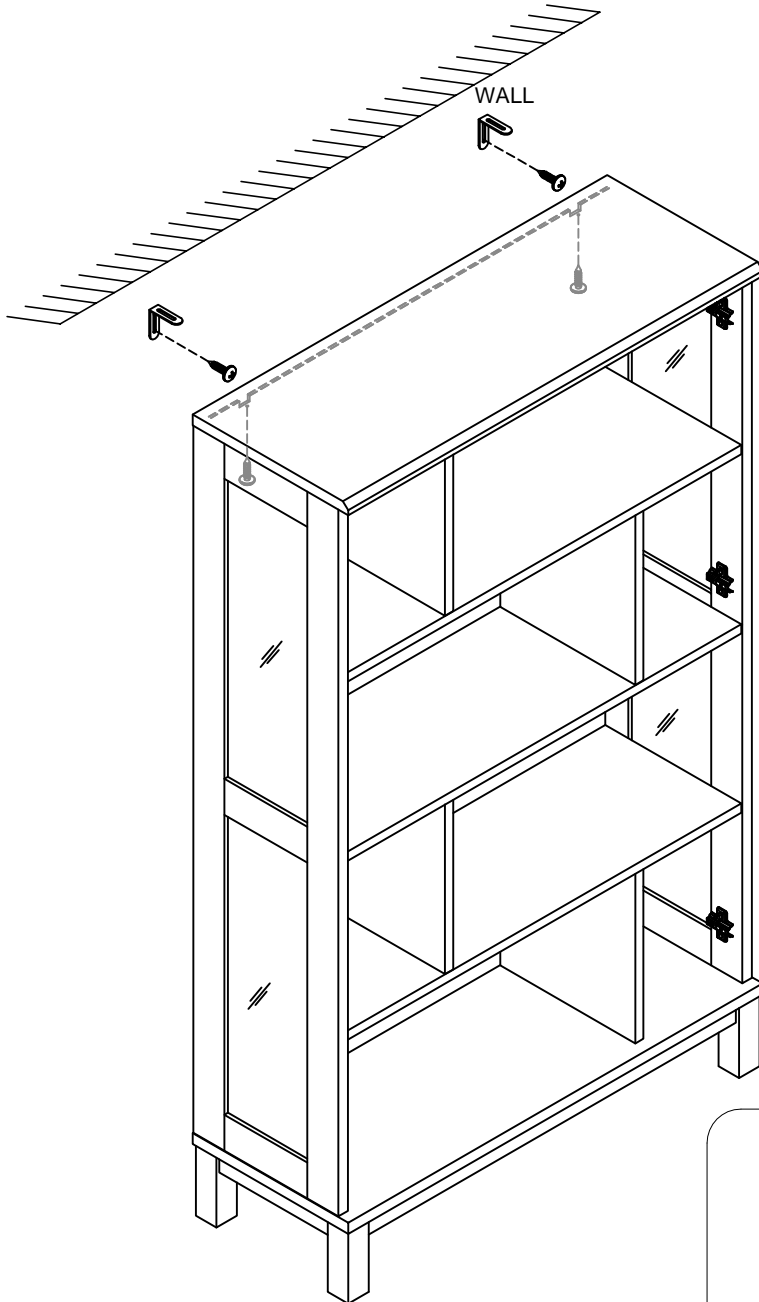


20

We recommend the use of the wall attachment bracket/strap provided for safety reasons. Move unit into desired position. Secure the 2X"L" metal brackets to the wall with an appropriate screw and wall plug for your wall type (not provided).

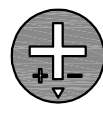
Warning: Always ensure intended wall area to be drilled is free from hidden electrical wires, water and gas pipes.


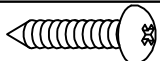

NB: Wall fixings are not included-Please source suitable fixing for your wall type. If in doubt please consult a qualified trades person.



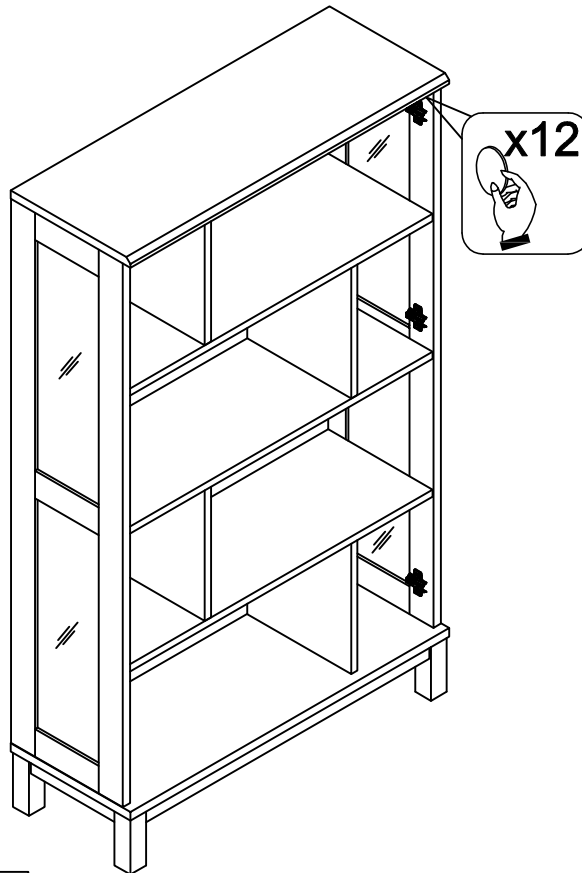
**WHEN LOOSENING THE CAM**

TURN THE CAM IN A COUNTERCLOCKWISE DIRECTION UNTIL THE ARROW POINTS IN THE POSITION SHOWN IN THE DIAGRAMS BELOW



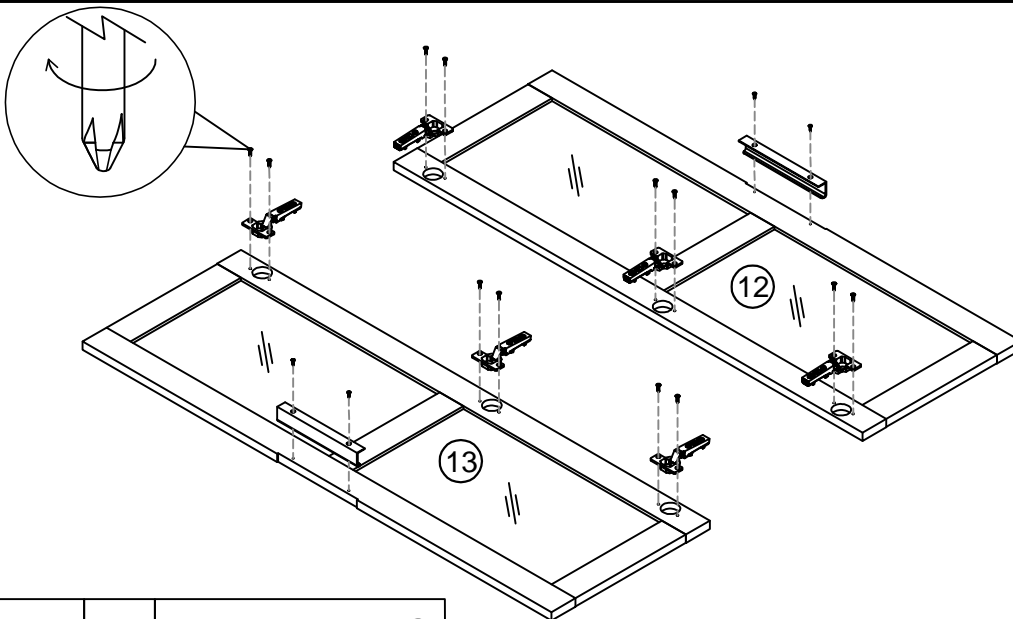
N1	N/A	2	
S41	Ø4 x 16mm	2	 

21



O1	21mm	12	
----	------	----	--

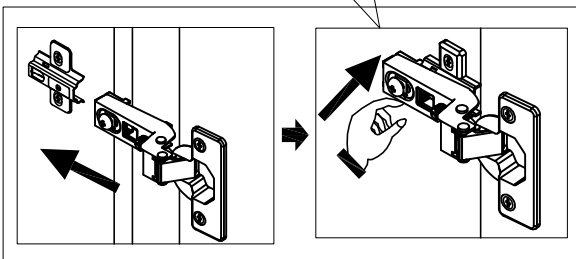
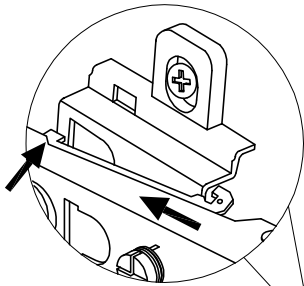
22



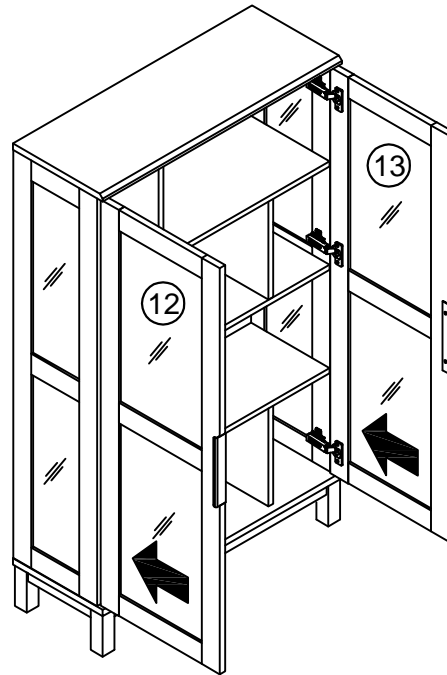
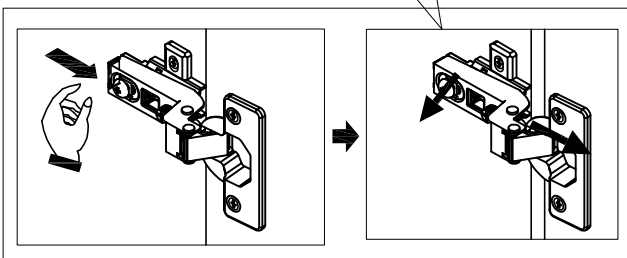
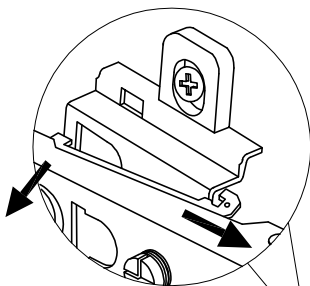
E39	N/A	2	
C16	N/A	6	
U139	Ø4.5 x 15mm	12	

23

Install hinge

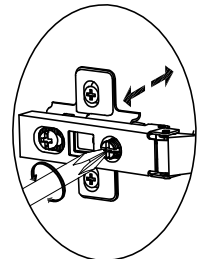


Remove hinge

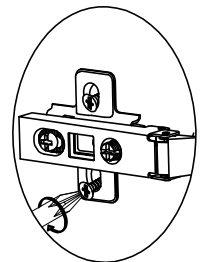
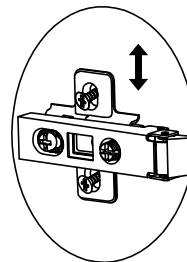
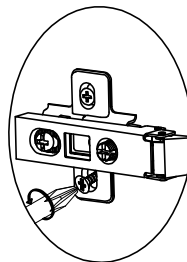


Adjust Hinge Position

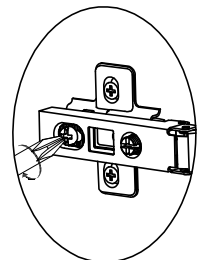
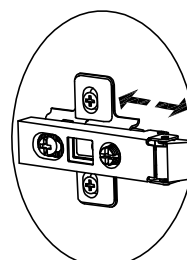
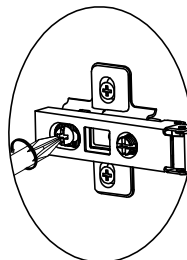
LATERAL



VERTICAL



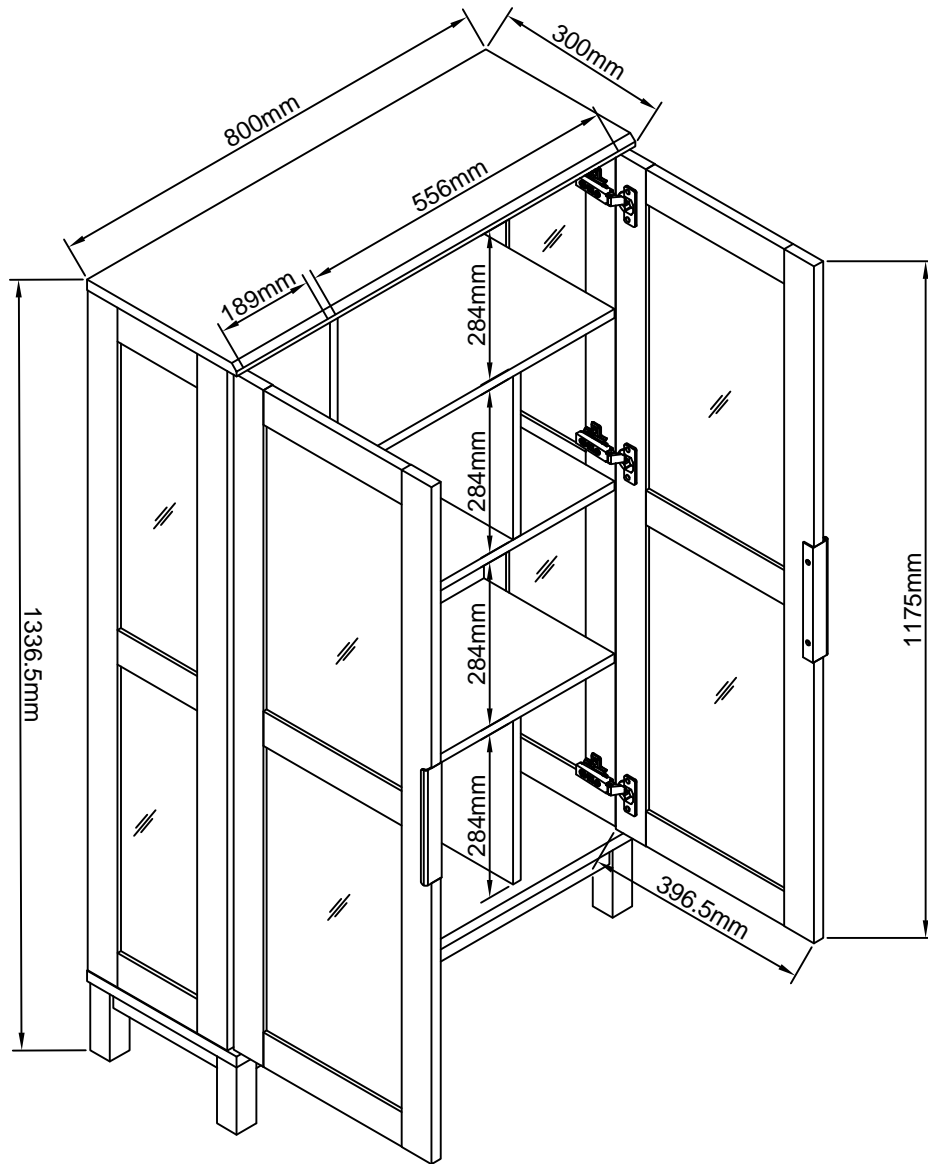
FRONT- TO-BACK



next

BRONX SLIM GLAZED UNIT  
T23361

Actual product size  
H133.5 x W80 x D30cm





# BRONX SLIM GLAZED UNIT

T23361

## Warnings

We suggest you retain these instructions for future reference.

Keep fittings out of children's reach and keep children well away from construction area.

Please periodically check all fittings and re-tighten as necessary.

Please do not sit or stand on your furniture.

Avoid exposing the furniture to excessive heat or direct sunlight as this can cause deterioration of the colour.

Unwrap all packaging materials and place the components on top of the carton box or on a clean floor to protect it from damage

Name and Address: NEXT RETAIL LTD. LE19 4AT  
identification and model Number: T23361 BRONX SLIM GLAZED UNIT

Date of Manufacture:

Contract number:

Nominal thickness of Glass: 4mm, Annealed glass

Country of Origin: China

If a glass component is chipped or broken replace with glass of the type described on this label. Consult with the retailer with regard to obtaining a manufacturing specification and shape for replacement glass quoting the model number, batch number and date of manufacture.

## Missing parts

If you are missing any fixtures and fittings for your product. Please contact our customer service team on 0333 777 8999 and they will be happy to arrange for a replacement to be sent to you free of charge.

## Home service technicians

If you have a fault with your product, please contact our customer service team on 0333 777 8999. If you have had the product for 28 days or less you may be offered a replacement, refund or for a fully trained home service technician to visit your home to assess the fault and repair the product where possible. If you have had the product for more than 28 days we will send an independent home service technician to review and repair the product where possible and recommend further action.

## You can write to us at

Home Customer Services  
Next Retail Ltd.  
Desford Road,  
Leicester,  
LE19 4AT

To view our full furniture range please visit [www.next.co.uk](http://www.next.co.uk)