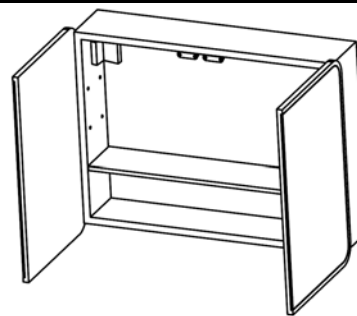


T30872 BLACK DOUBLE CABINET

NEXT

Tools Needed



Helpline

If you have any problems with this product please contact customer services Tel: 0333 777 8000

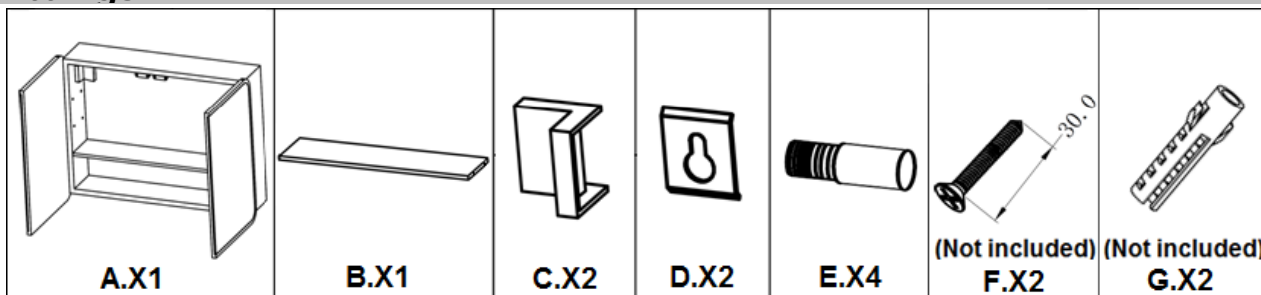
Important

- Suggest you spend a short time reading through this leaflet and then follow the simple step by step instructions.
- Carefully check that you have all parts before beginning assembly.
- Keep fittings out of children's reach and keep children away from construction.
- We suggest you retain these instructions for future reference.
- Please do not use abrasive cleaners on this product.
- We suggest you make periodic checks to ensure that all screws are fully tightened.
- Wall plugs and wall fixings are not included.
- Made in China
- Item dimensions : H450xW600xD132mm

Care instructions

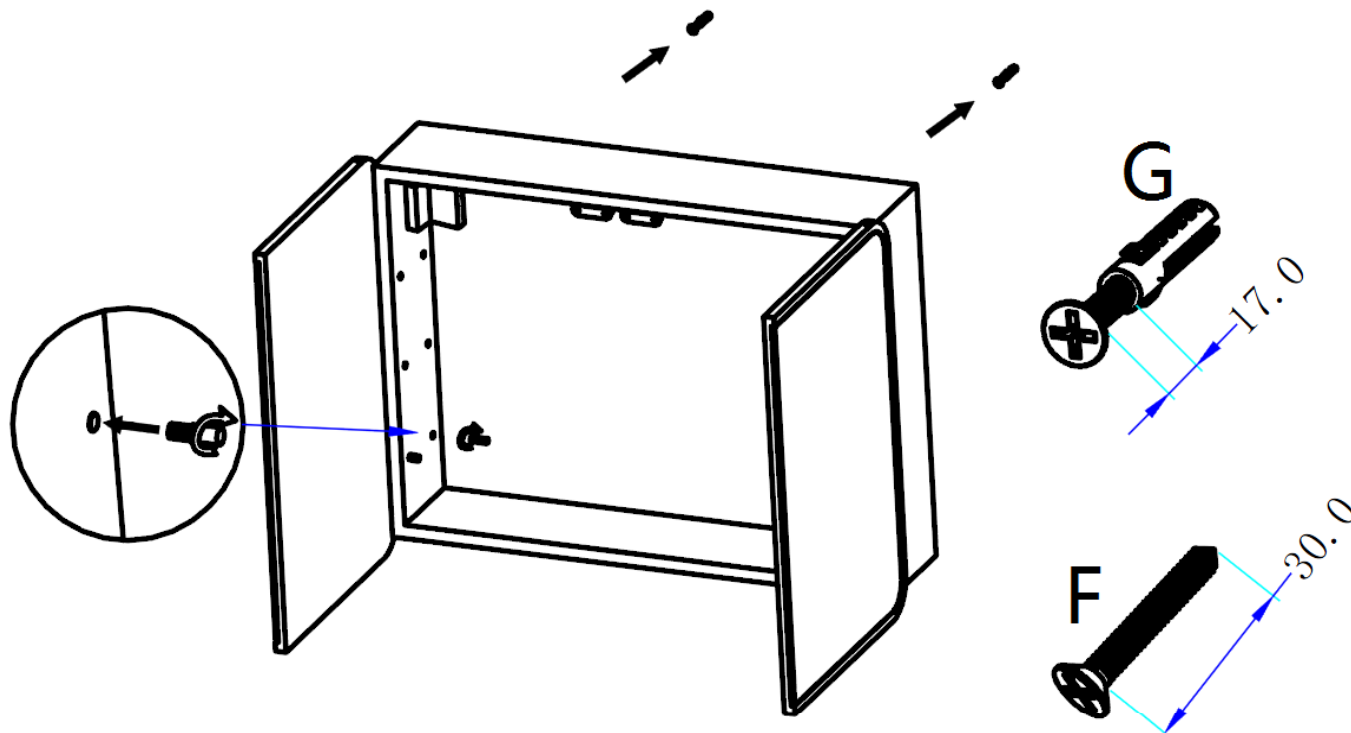
- Do not use abrasive cleaners or cleaners containing bleach.
- To prevent corrosion ensure the product does not come into prolonged contact with water. Wipe away excess moisture.

Fittings



Assembly Instructions

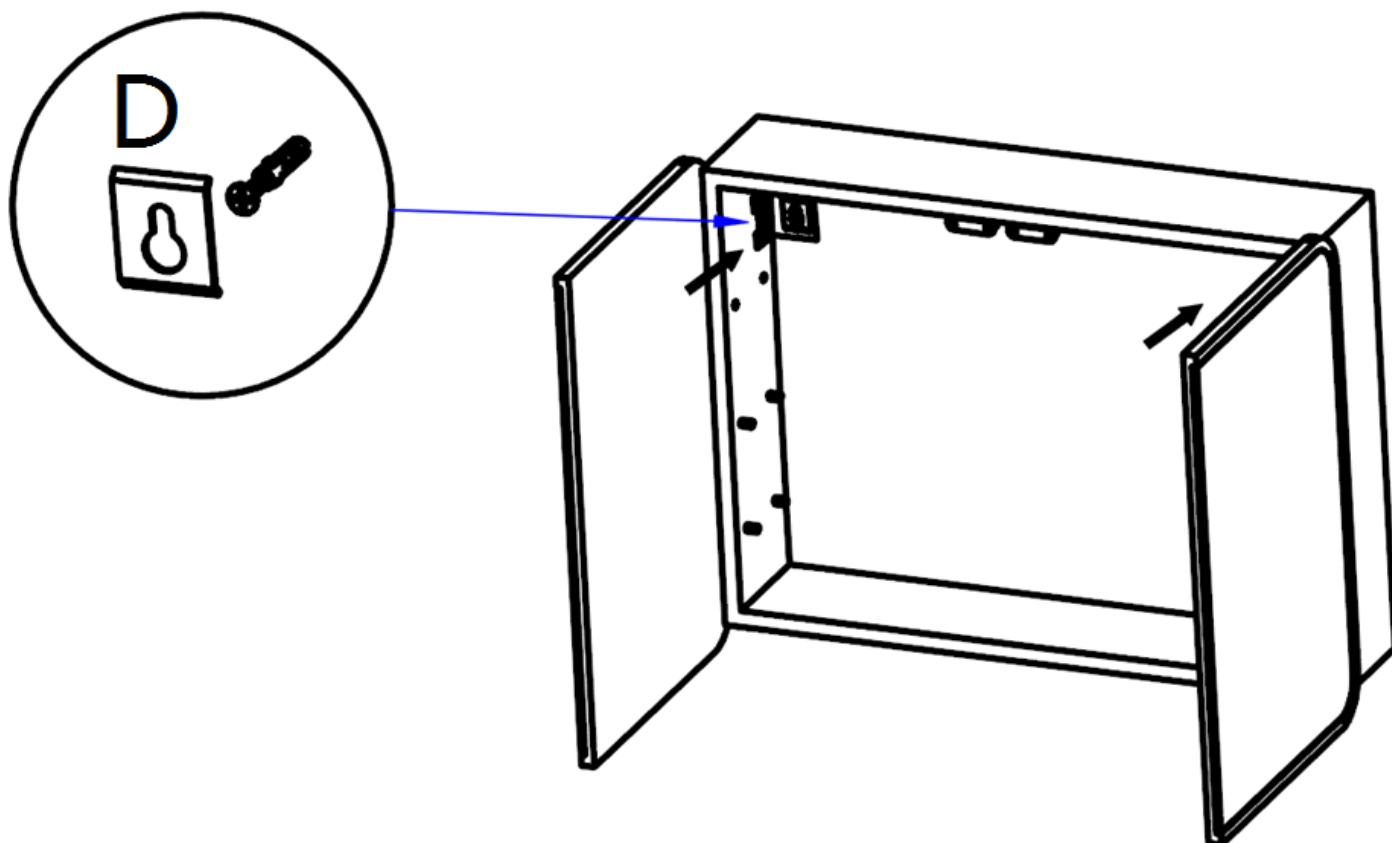
Step 1. Place the cabinet (A) where you need, insert the wall fixings (F) and wall plugs (G) into the hole of the cabinet and mark the holes on the wall. The wall fixings (F) should be exposed 17mm outside the wall. (F) and (G) are not included.



Please refer to next page

NEXT Retail Ltd, Desford Road, Enderby, Leicester, LE19 4AT.
NEXT Retail (Ireland) Ltd, 13-18 City Quay, Dublin 2, D02 ED70.

Step 2. Hang and secure product (A) and attachment (D) to wall fixings (F) by tighten wall fixings (F) with a screwdriver.



Step 3. Cover the plastic fixings (C) on the attachment (D), screw in the column (E) into the cabinet wall and put the shelf (B) on as you want.

