

# NEXT

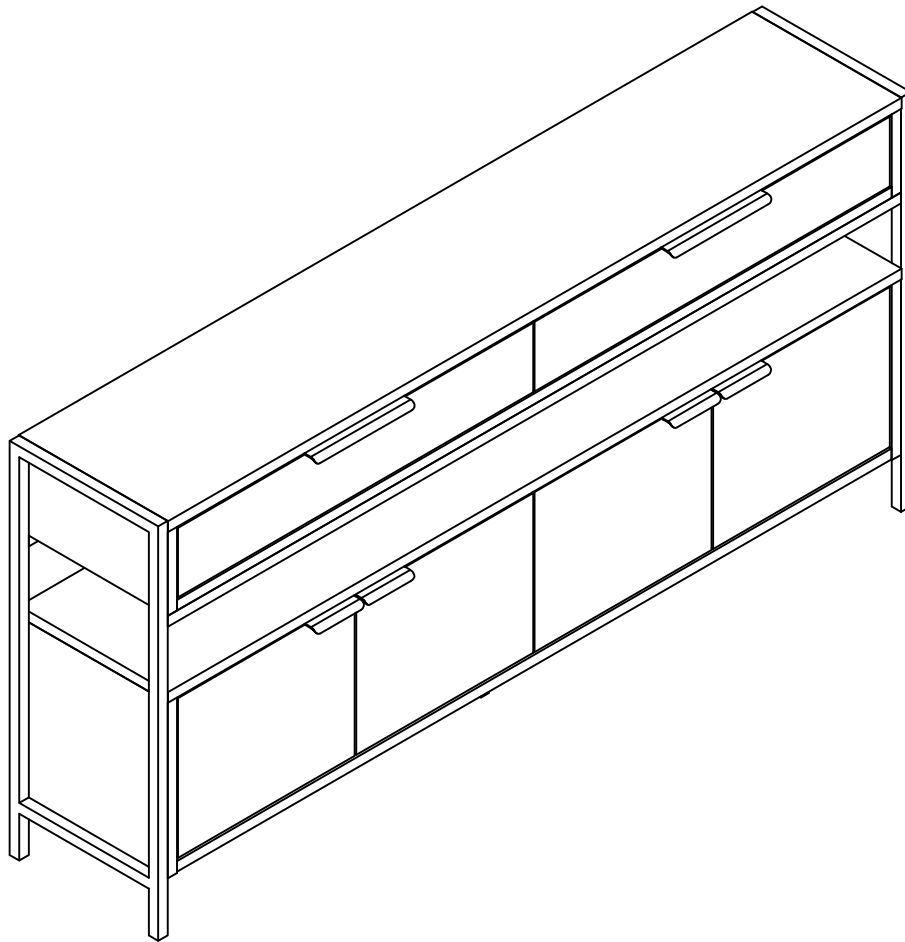
## BRONX SOUNDBAR TV UNIT

T55759

Assembly instructions

**Actual product size**

H72 x W151 x D30cm



**IMPORTANT -  
RETAIN FOR FUTURE REFERENCE**

**Need Help ?**

With: Assembly instruction  
Missing or damaged parts

**CALL: 0333 777 8999**

### BEFORE YOU START

#### Number of people required to assemble

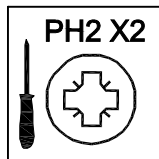
Two people are required to assemble this item



**Time to assemble : 30 minutes**



#### Tools required



not supplied

#### Do's

We suggest you spend a short time reading through this leaflet before you start.

When you are ready to start, make sure that you have the right tools and plenty of space.

Unwrap all packaging materials and place the components on a clean surface to protect it from damage, We recommend that the packaging is used to protect the surfaces during assembly.

Carefully check that you have all the parts before beginning assembly.

Due to the size of this product we recommend that it is assembled in the room intended for use.

Ensure the product is fully assembled as illustrated and all fixings fully tightened before use.

Wipe occasionally with a soft cloth slightly dampened with water. Then buff with a dry clean soft cloth.

Wood will mellow and change colour over time, we recommend that ornaments and items placed on the surface are moved regularly for the first few months to prevent uneven mellowing.

#### Don'ts

Do not drag or pull your furniture.

Do not rub or scrub the surface when cleaning.

Do not use silicone based furniture polish. Silicone in furniture polishes can break down the finish.

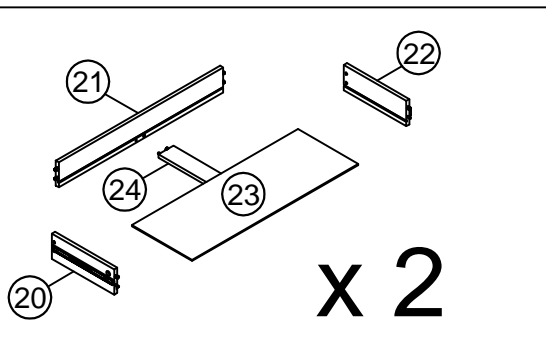
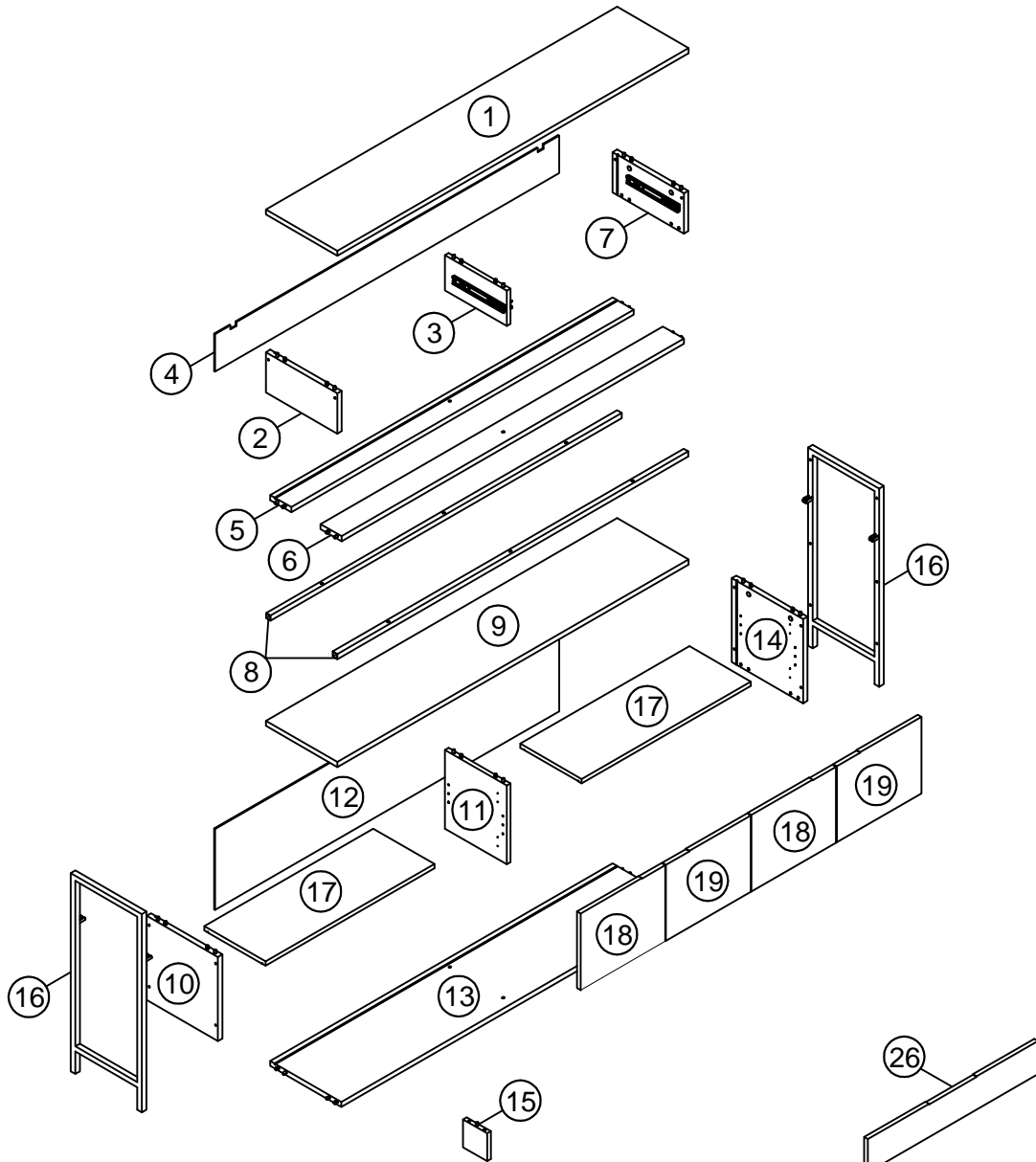
Never allow any kind of liquid to remain on your furniture. Absorption can cause wood to warp or finishes to de-laminate.

Do not place hot items (e.g. hot drinks) directly on to the wood surface. Please make sure you use a placemat or coaster.

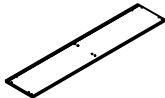




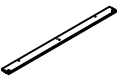









# NEXT

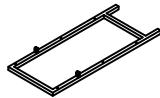
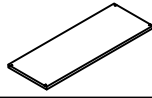



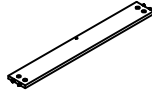

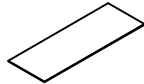



## BRONX SOUNDBAR TV UNIT T55759 Assembly instructions

### GETTING TO KNOW YOUR PRODUCT



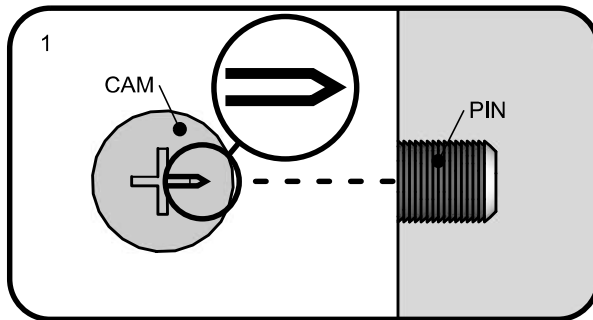
Components supplied. Please use this guide if you require replacement parts.

Ref	Dimensions	Visual	Qty	Ctn
1	30x147cm		1	1
2	14.5x30cm		1	1
3	13x26cm		1	1
4	13.5x144.5cm		1	1
5	8.5x143.5cm		1	1
6	8.5x143.5cm		1	1
7	14.5x30cm		1	1
8	2x147cm		2	1
9	30x147cm		1	1
10	30x30.5cm		1	1
11	26x28.5cm		1	1
12	29.5x144.5cm		1	1
13	30x143.5cm		1	1
14	30x30.5cm		1	1
15	10x10.5cm		1	1

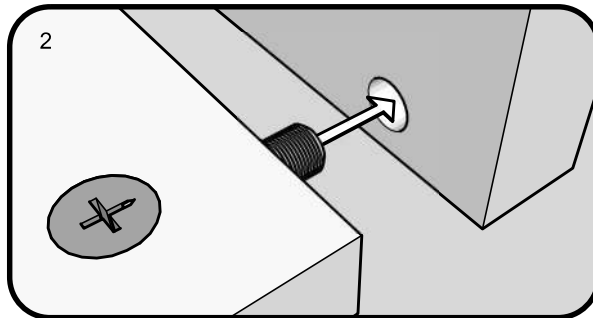
Ref	Dimensions	Visual	Qty	Ctn
16	30x72cm		2	1
17	25.5x71cm		2	1
18	28x35.5cm		2	1
19	28x35.5cm		2	1
20	9x25cm		2	1
21	8.5x67cm		2	1
22	9x25cm		2	1
23	24x67cm		2	1
24	6x23.5cm		2	1
25	12x71.5cm		1	1
26	12x171.5cm		1	1

**NEXT**

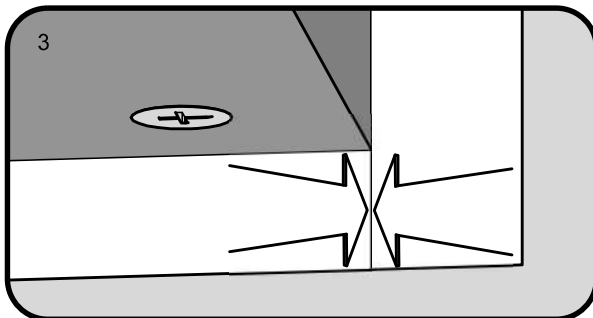
## TITUS TIGHTENING INSTRUCTIONS



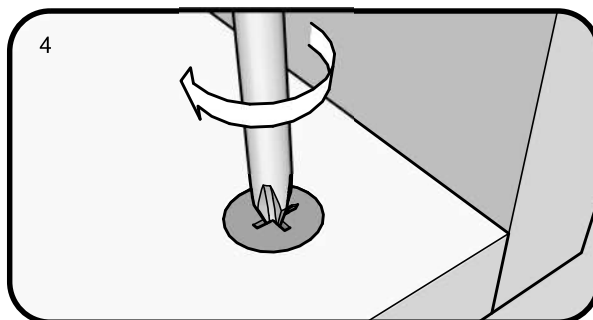
Line up the arrow on the CAM with the PIN.



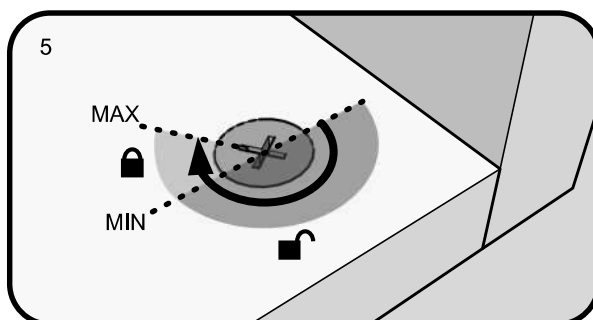
Push the pins into the holes in the panel to be joined.



Make sure there is no gap between the panels.



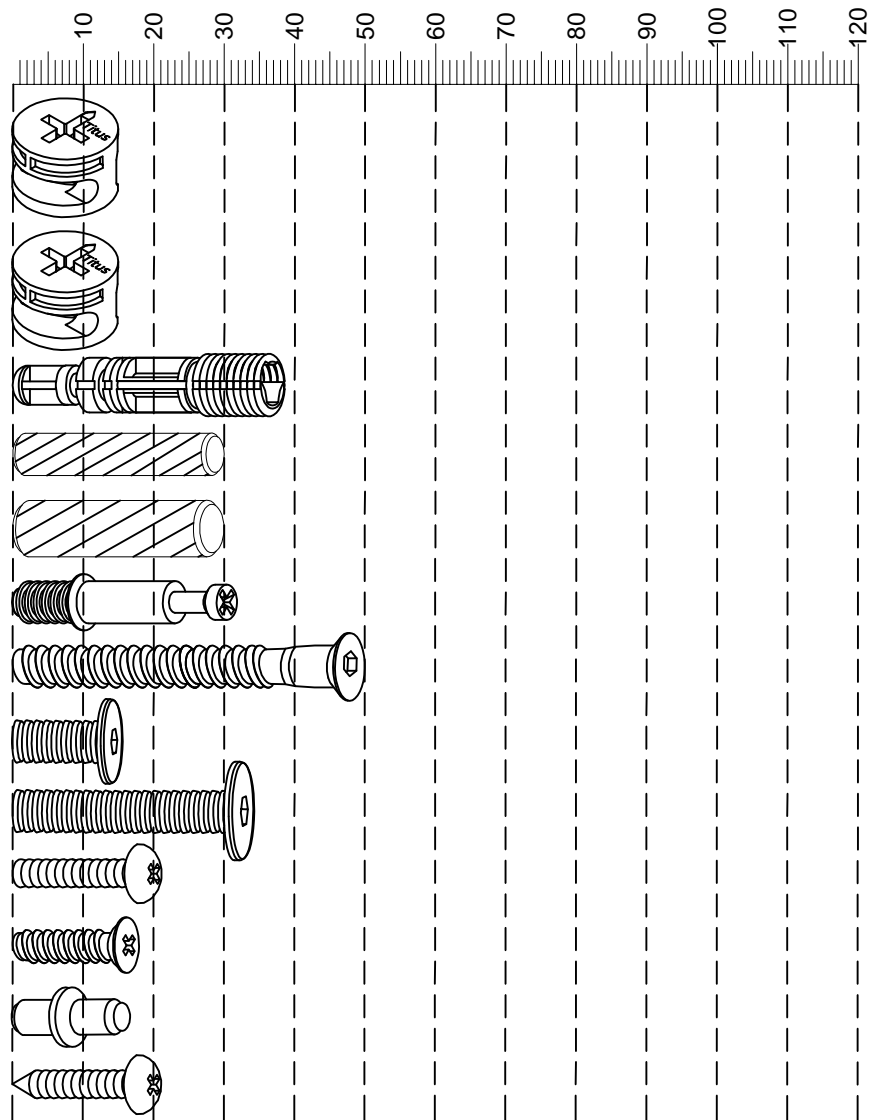
Use a cross-point screwdriver (PH2 or PZ2 is ideal) to tighten the cams and lock the panels together.



The panels are locked when each cam is turned to between 1/2 and 2/3 of a full turn (Maximum rotation)

### Fixtures and fittings supplied (actual size)

Ref	Dimensions	Qty	Spare Qty
B2	Ø15 x 10mm	N/A	2
B3	Ø15 x 12mm	2	2
B8	Ø8 x 38mm	N/A	2
D3	Ø6 x 30mm	N/A	1
D6	Ø8 x 30mm	N/A	2
B12	Ø7.5 x 33mm	2	1
Y8	Ø6 x 50mm	4	1
V35	Ø6 x 12mm	4	1
V53	Ø6 x 30mm	18	2
S42	Ø4 x 16mm	4	1
U139	Ø4.5 x 15mm	32	2
P3	Ø5 x 16mm	8	1
S41	Ø4 x 16mm	2	1



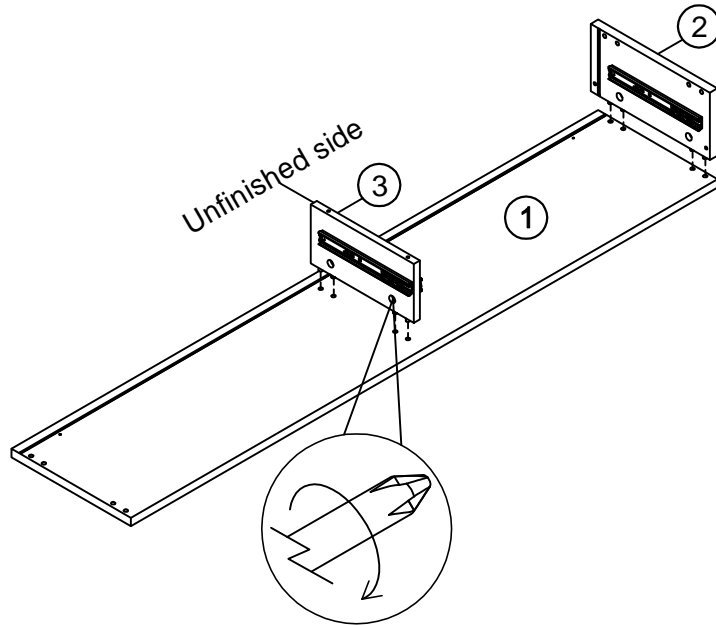
### Fixtures and fittings supplied (not to scale)

Ref	Dimensions	Qty	Spare Qty	Visual
T4	N/A	2	N/A	
M3	N/A	2	N/A	
C11	N/A	4	N/A	
C12	N/A	4	N/A	
T38	N/A	12	2	

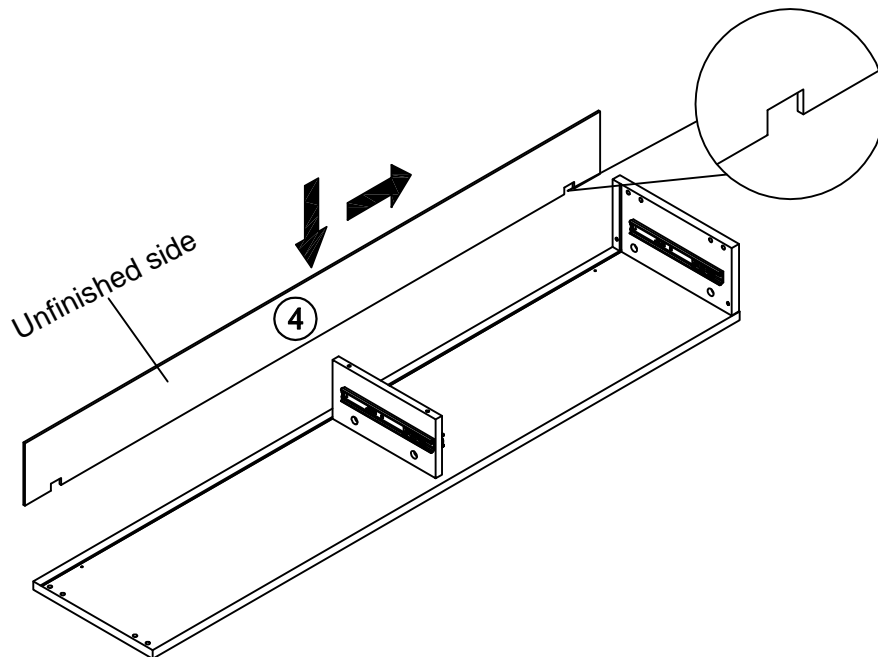
### Fixtures and fittings supplied (not to scale)

Ref	Dimensions	Qty	Spare Qty	Visual
T39	N/A	2	N/A	
O1	Ø21mm	14	2	
E39	N/A	2	N/A	
E40	N/A	4	N/A	

1



2



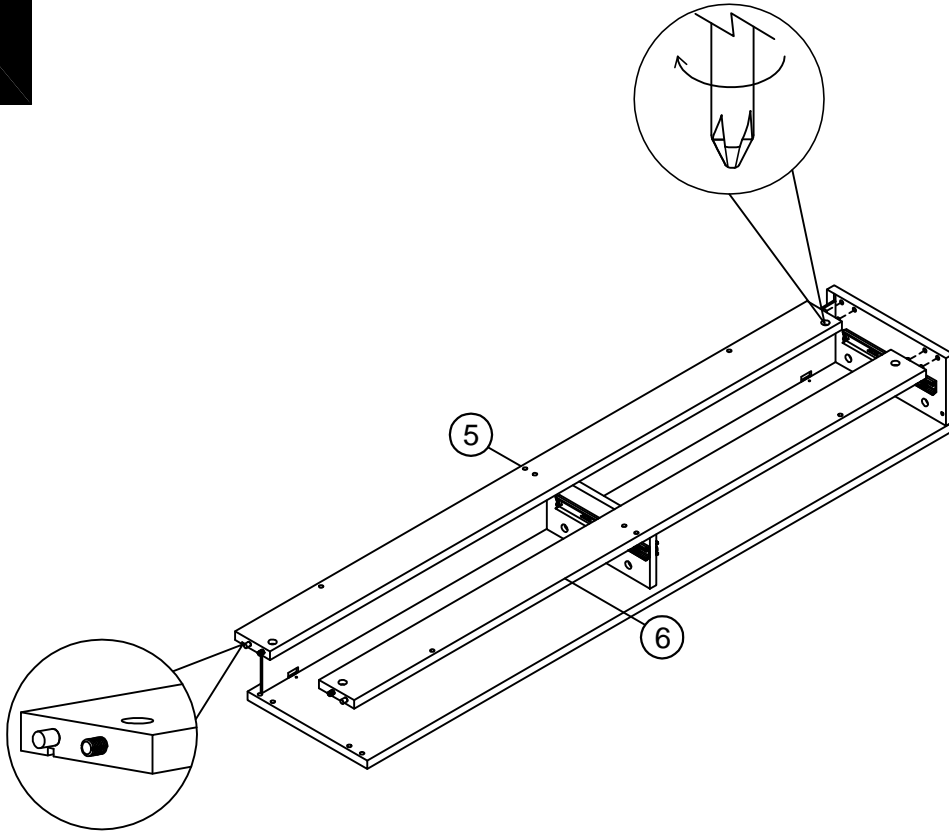
# NEXT

## BRONX SOUNDBAR TV UNIT

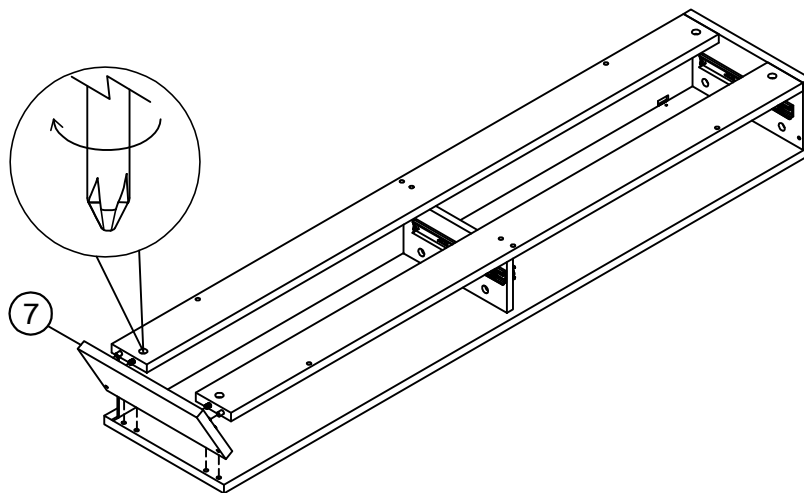
T55759

Assembly instructions

3

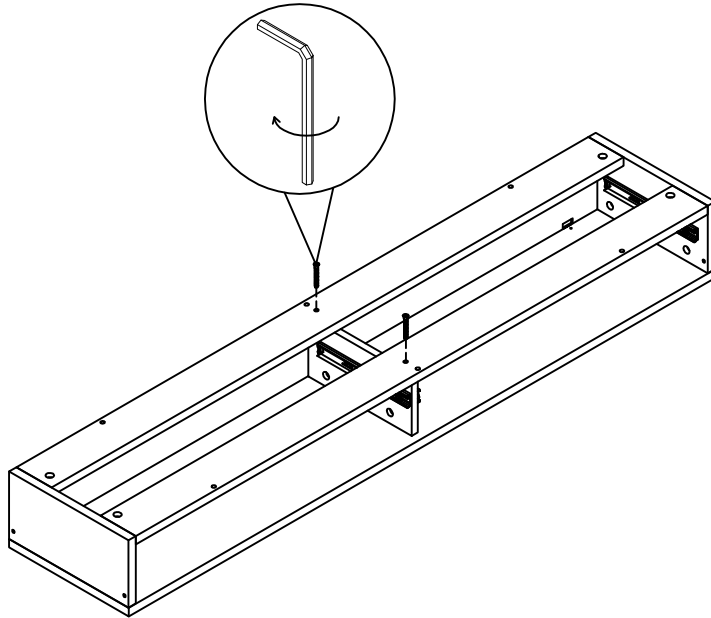




4



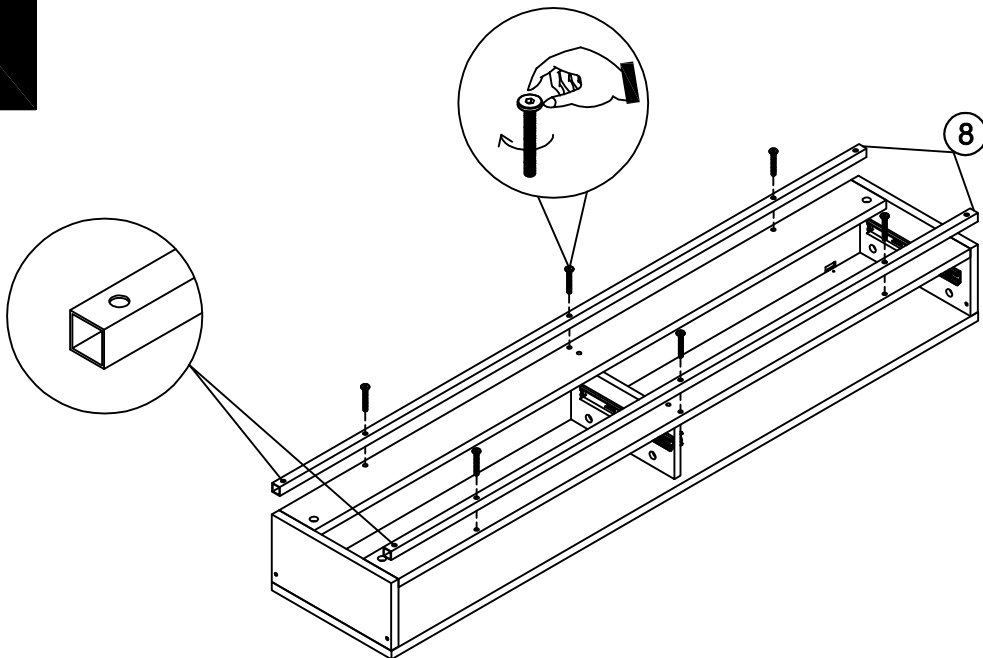



5



Y8	Ø6 x 50mm	2	
T4	N/A	2	

6

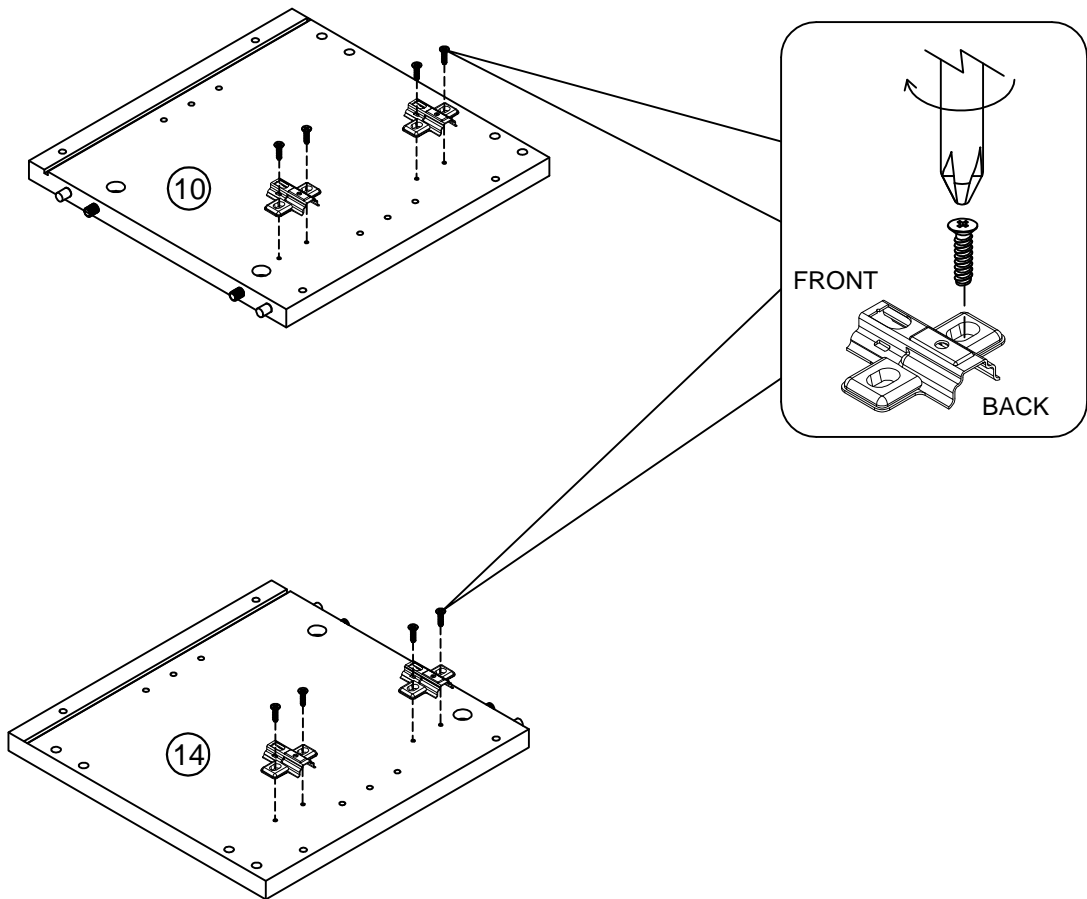
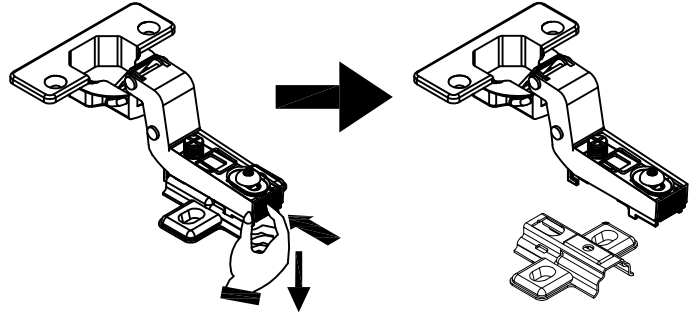
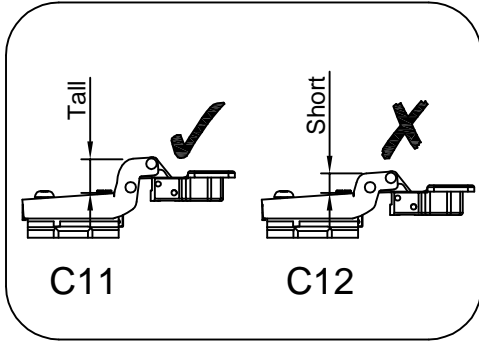





V53	Ø6 x 30mm	6	
-----	-----------	---	---

# NEXT BRONX SOUNDBAR TV UNIT

T55759  
Assembly instructions

7

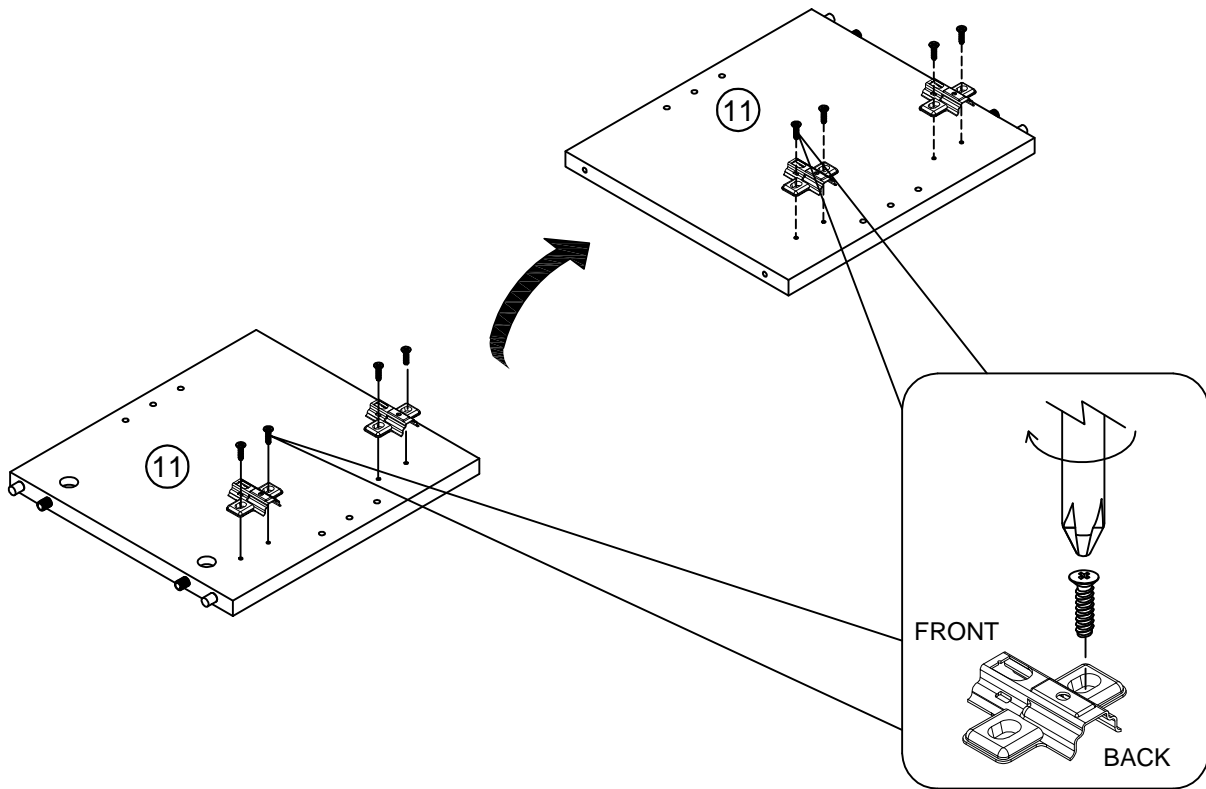
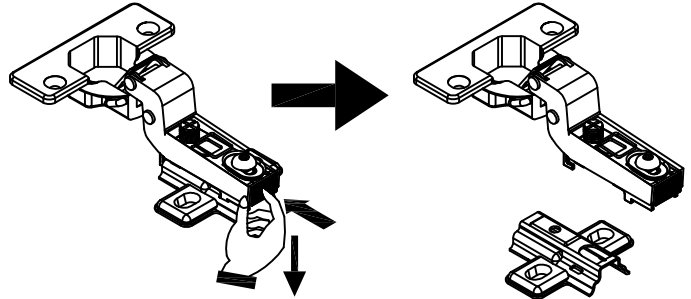
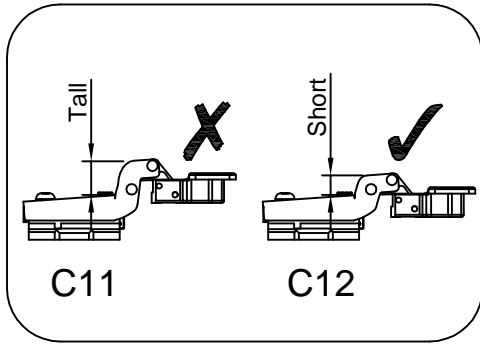




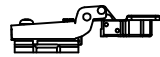
U139	Ø4.5 x 15mm	8	 
C11	N/A	4	

# NEXT BRONX SOUNDBAR TV UNIT

T55759  
Assembly instructions

8

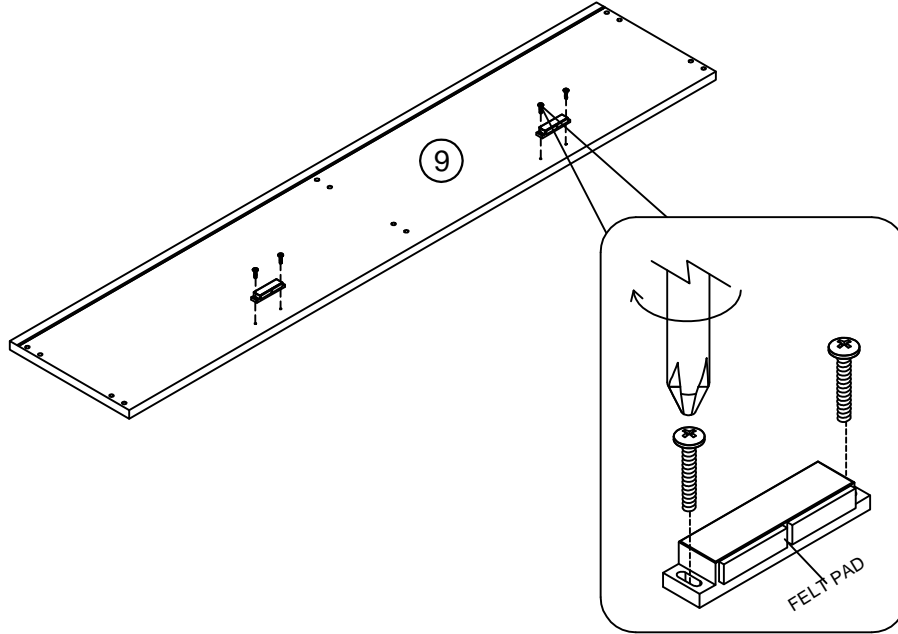




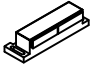
U139	Ø4.5 x 15mm	8	  not supplied
C12	N/A	4	

# NEXT BRONX SOUNDBAR TV UNIT

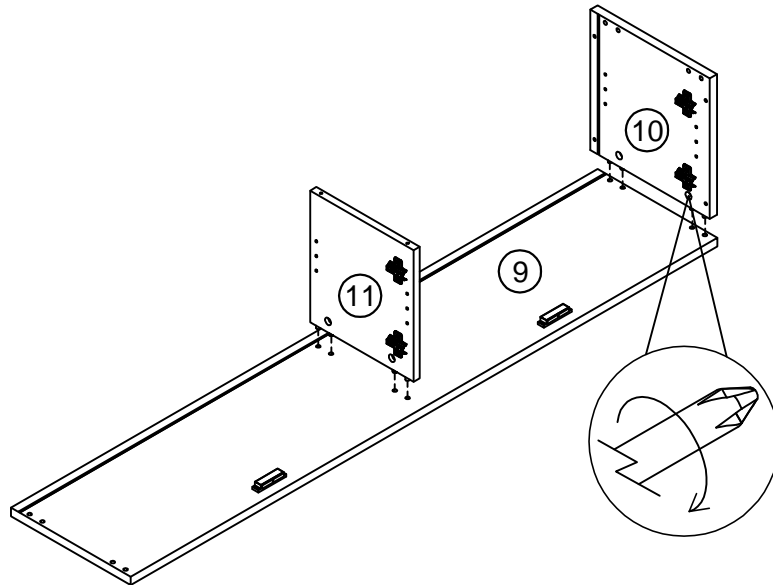
T55759  
Assembly instructions

9



S42	Ø4 x 16mm	4	 
M3	N/A	2	

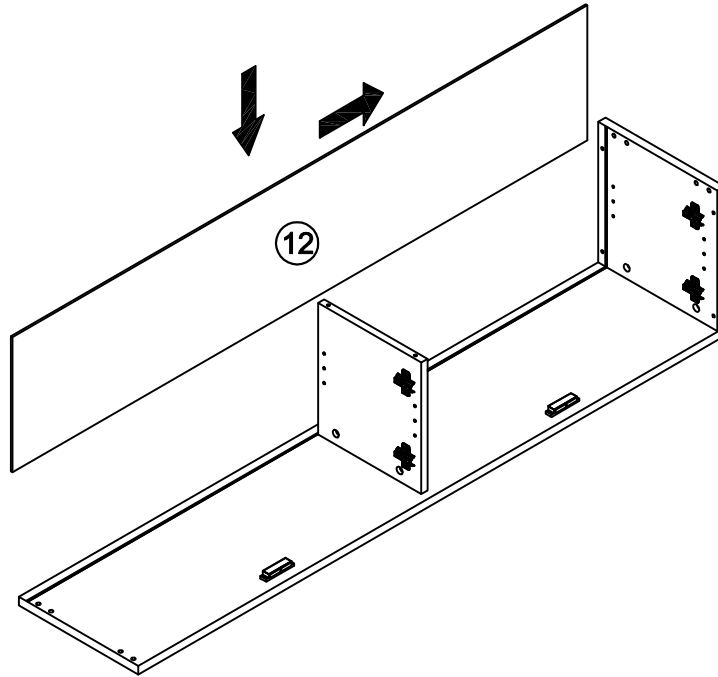
10



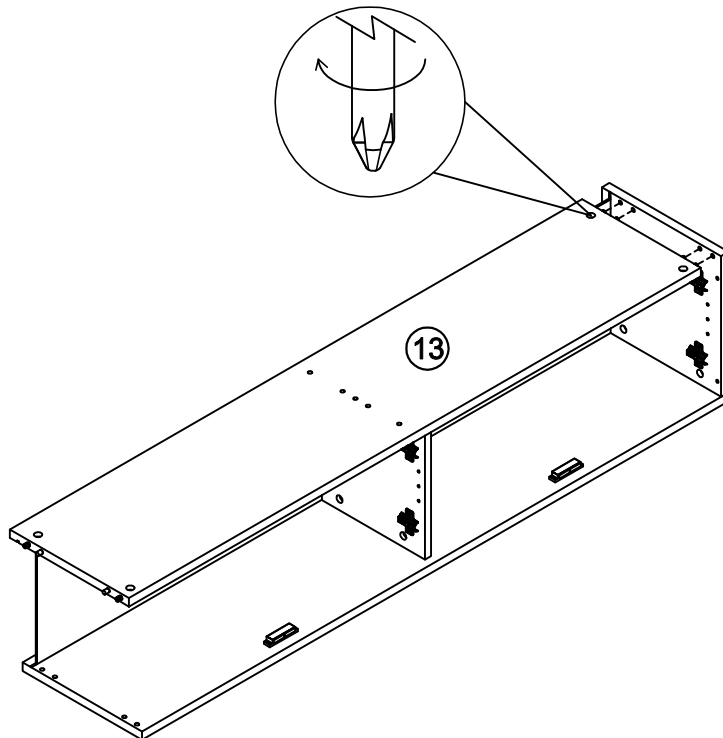
# NEXT BRONX SOUNDBAR TV UNIT

T55759  
Assembly instructions

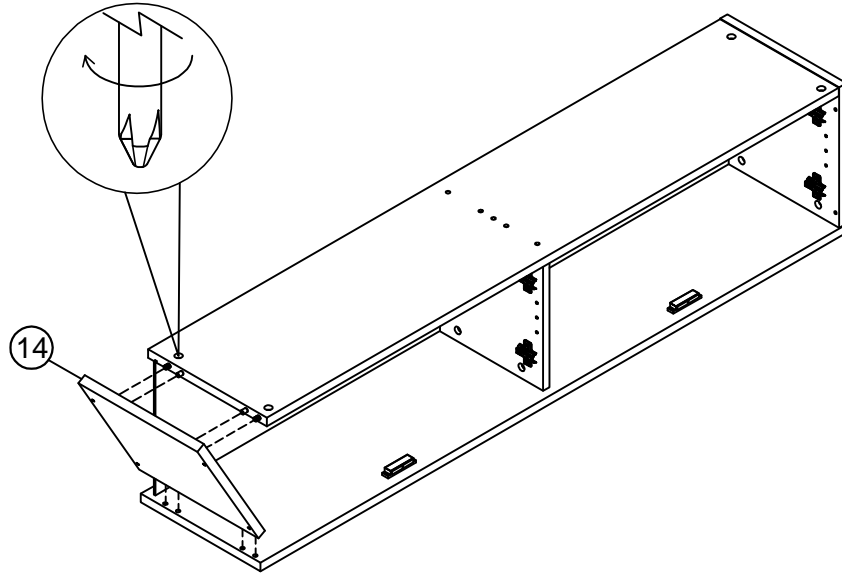
11



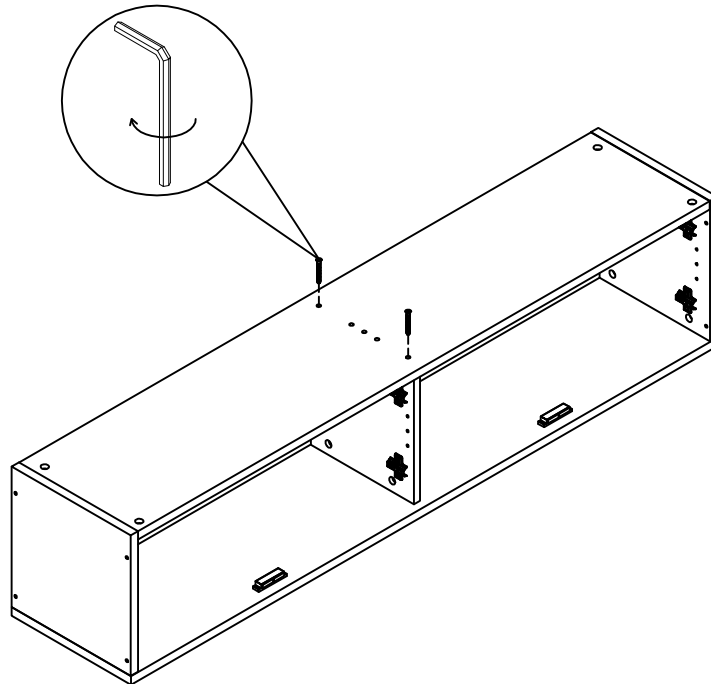
12



13



14

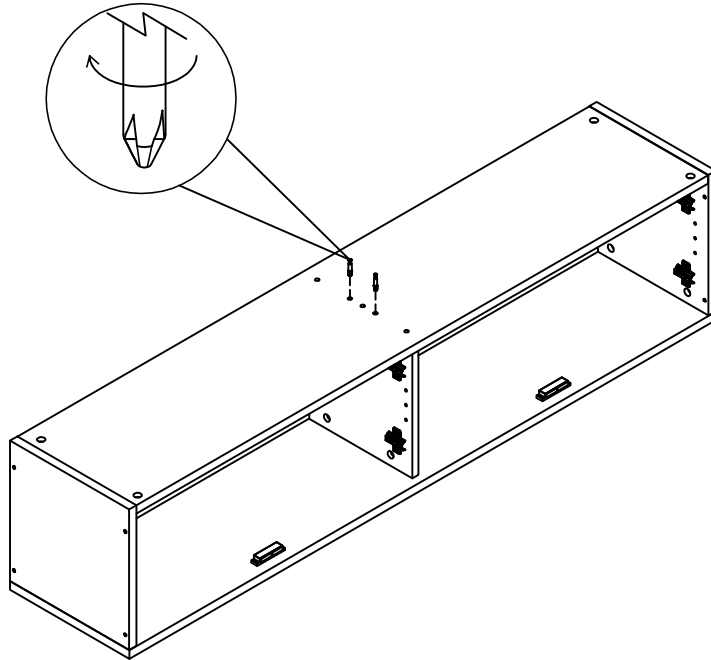


Y8	Ø6 x 50mm	2	
T4	N/A	2	

# NEXT BRONX SOUNDBAR TV UNIT

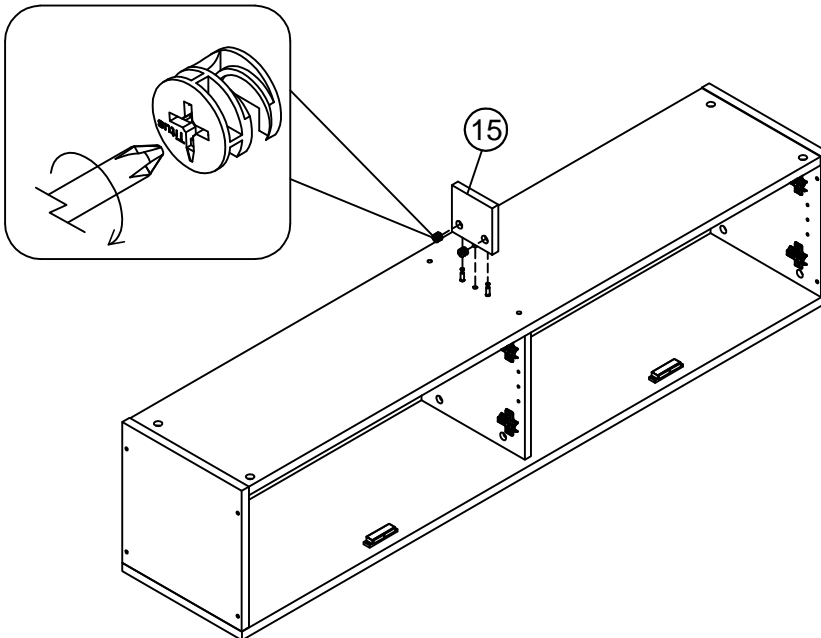
T55759  
Assembly instructions



15



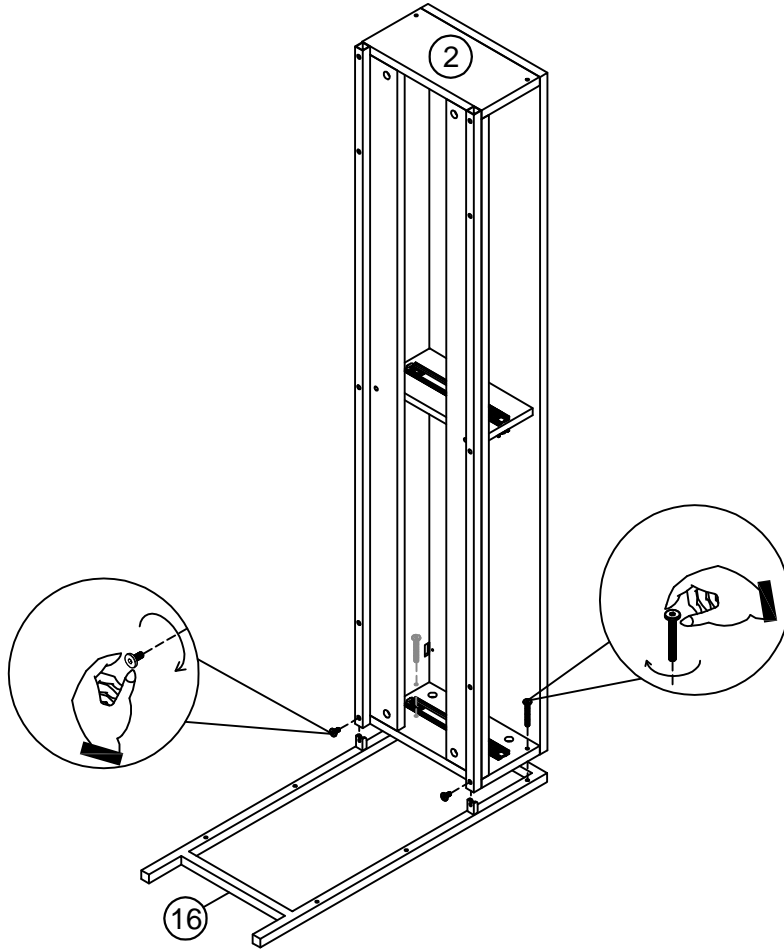
B12	Ø7.5 x 33mm	2		
-----	-------------	---	---	---



16



B3	Ø15 x 12mm	2		
----	------------	---	---	---

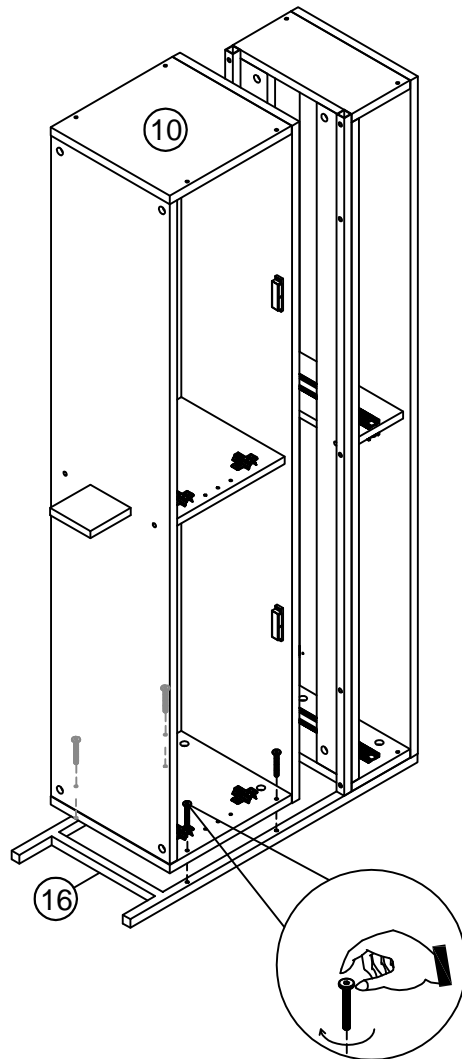
17



V35	Ø6 x 12mm	2	
V53	Ø6 x 30mm	2	



18

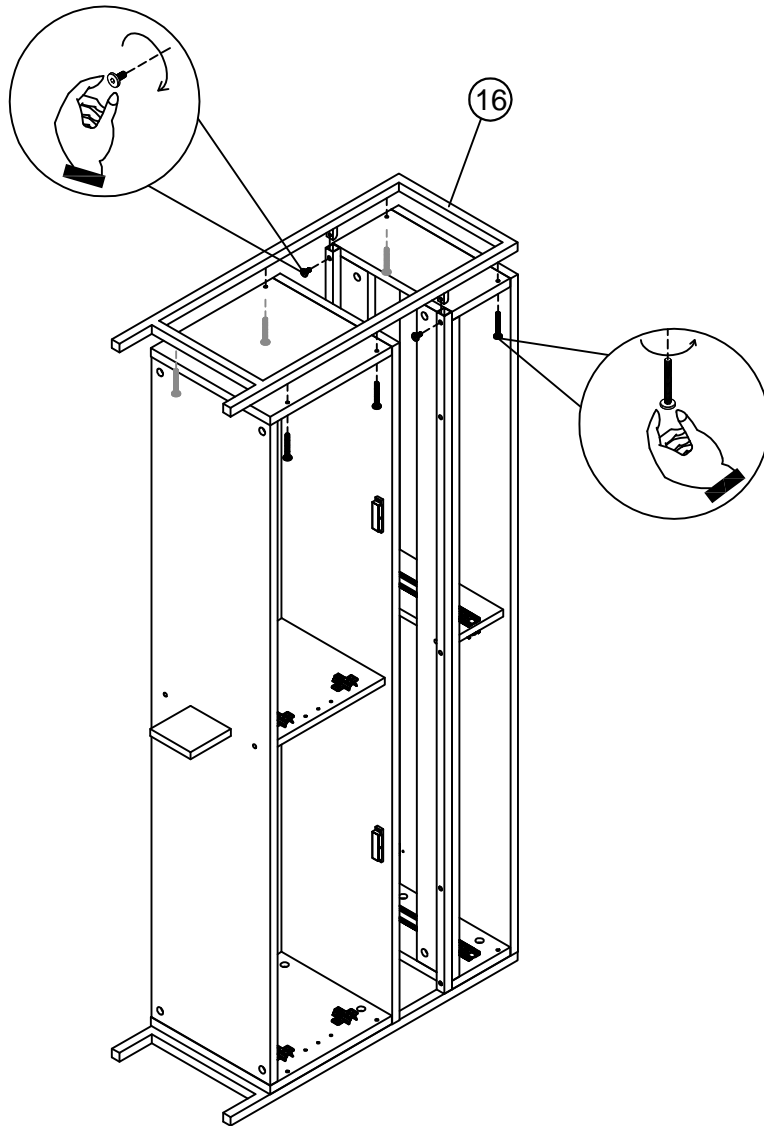




V53    Ø6 x 30mm

4

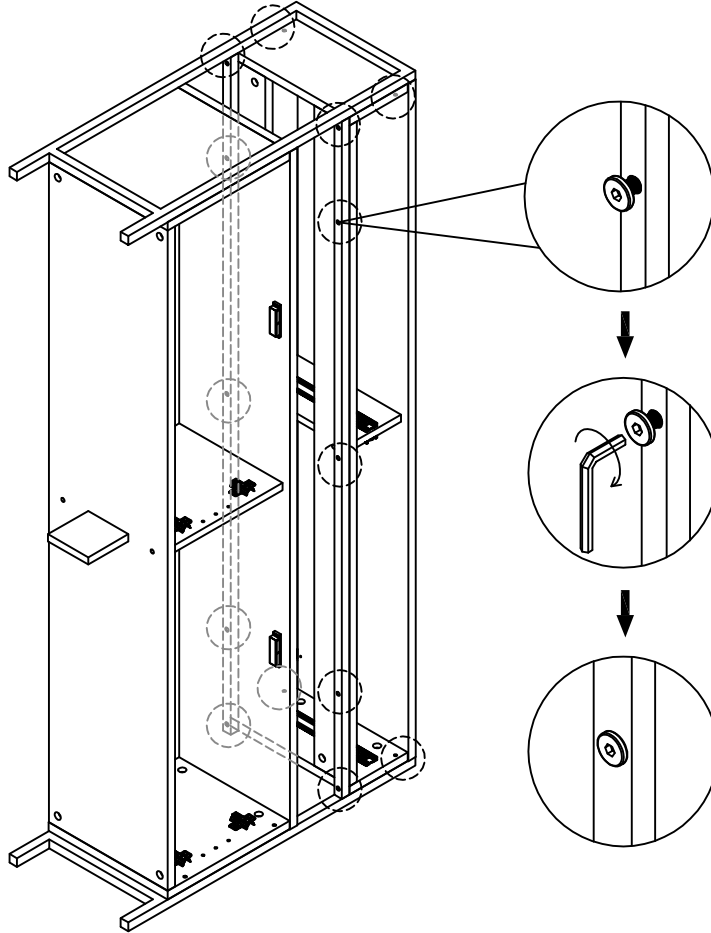


19



V35	Ø6 x 12mm	2	
V53	Ø6 x 30mm	6	

20



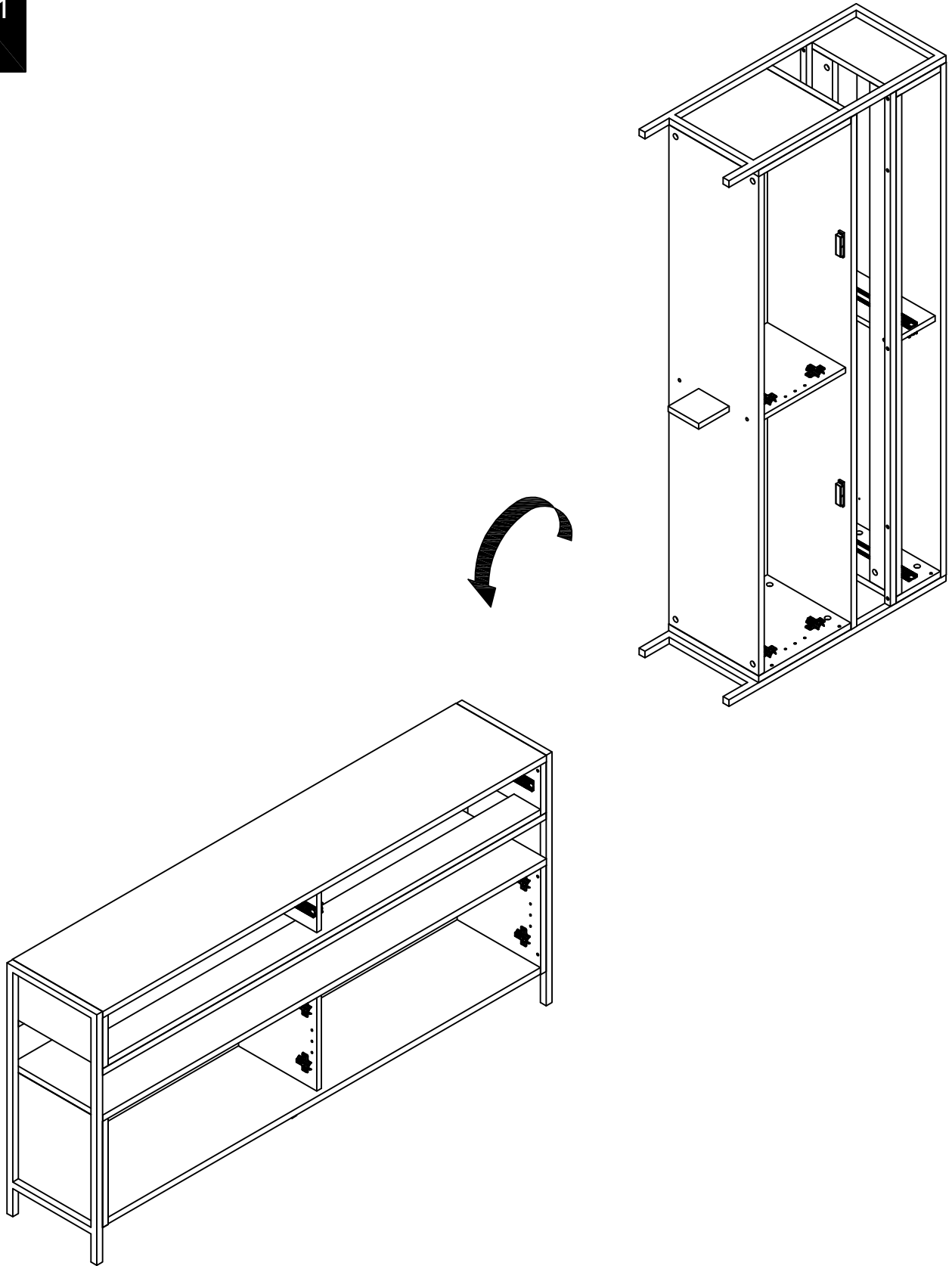
T4

N/A

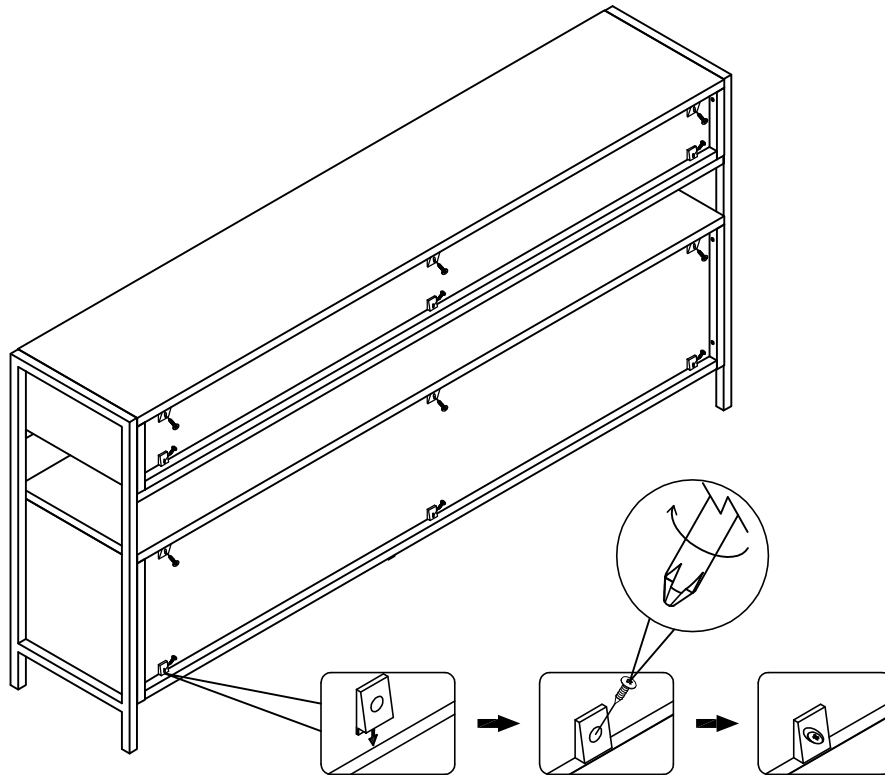
2






21



22



T38	N/A	12			
-----	-----	----	---	---	---

# NEXT BRONX SOUNDBAR TV UNIT

## T55759

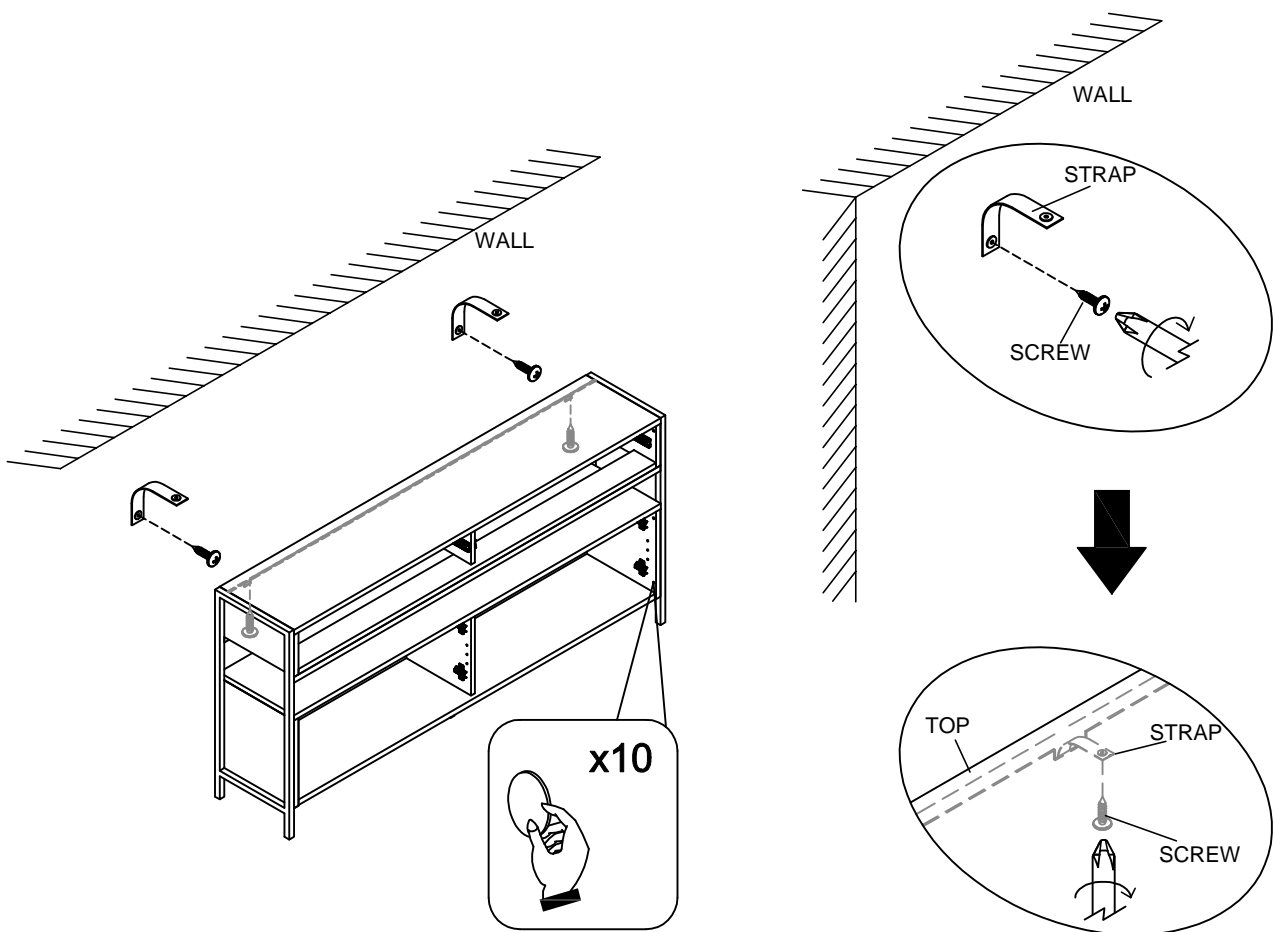
### Assembly instructions

23

We recommend the use of the wall attachment bracket/strap provided for safety reasons. Secure the strap to the wall with an appropriate screw and wall plug for your wall type (not provided). To hide the strap behind the unit, drill the hole lower than the top of unit.

Attach the other end of the strap to the underside of the top panel with screw.  
 Warning: Always ensure intended wall area to be drilled is free from hidden electrical wires, water and gas pipes.  
 NB: Wall fixings are not included-Please source suitable fixing for your wall type.  
 If in doubt please consult a qualified trades person.

Please ensure you secure your product to the wall for your and your family's safety before you use it.



O1	Ø21	10	
T39	N/A	2	
S41	Ø4 x 16mm	2	<small>PH2 not supplied</small>

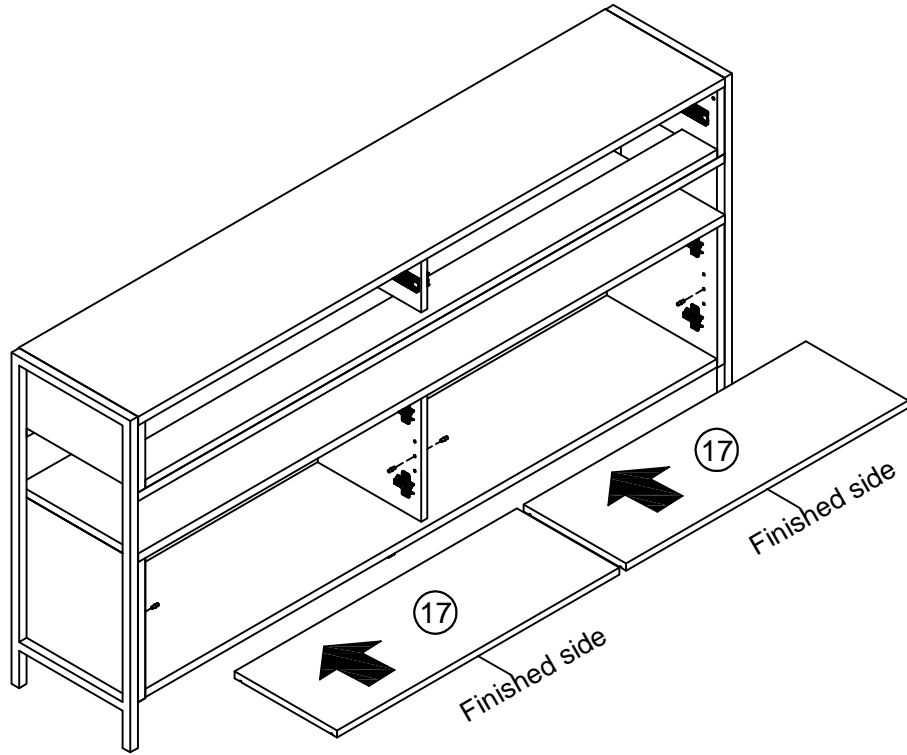
**WHEN LOOSENING THE CAM**  
 TURN THE CAM IN A COUNTERCLOCKWISE DIRECTION UNTIL THE ARROW POINTS IN THE POSITION SHOWN IN THE DIAGRAMS BELOW


MAXIMUM LOCK      TURN TO UNLOCK      UNLOCKED

# NEXT BRONX SOUNDBAR TV UNIT

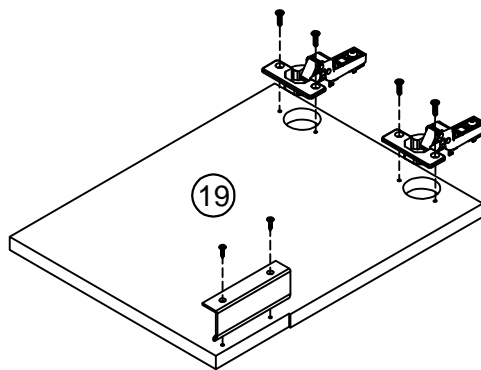
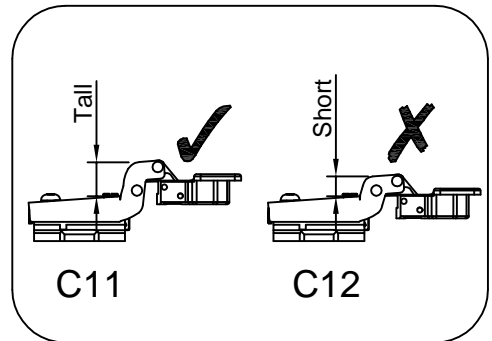
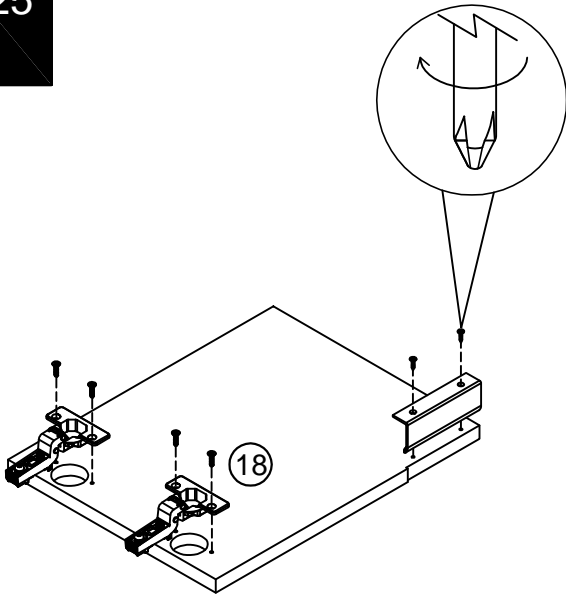
T55759  
Assembly instructions





24



P3	Ø5 x 16mm	8	
----	-----------	---	---

25

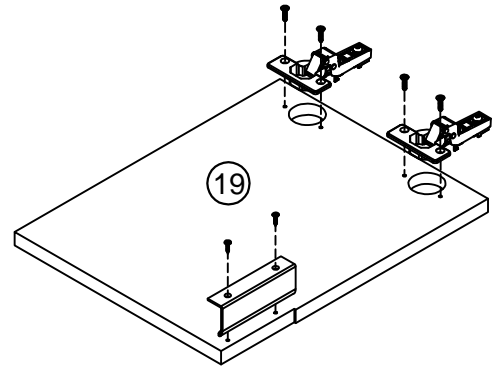
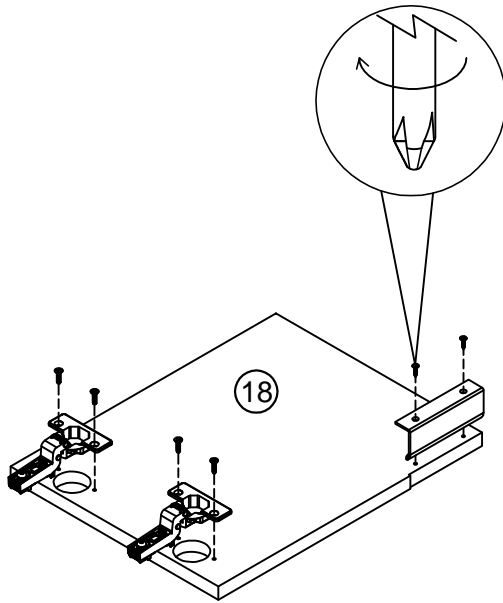
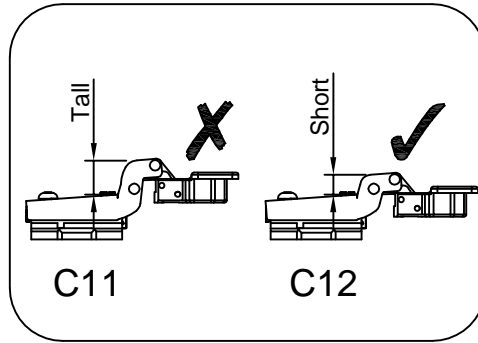


E40	N/A	2	
C11	N/A	4	
U139	Ø4.5 x 15mm	8	 

# NEXT BRONX SOUNDBAR TV UNIT

T55759  
Assembly instructions

26



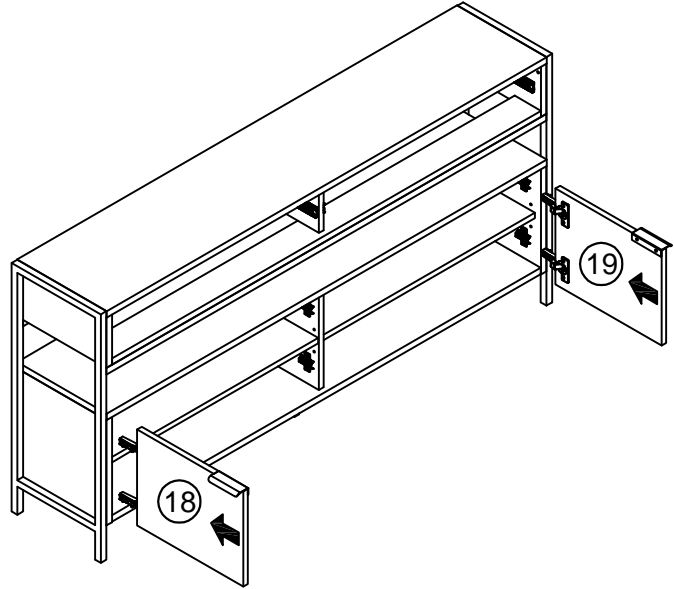
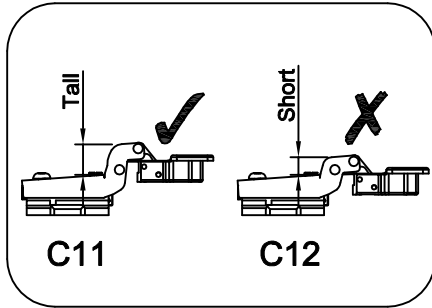
E40	N/A	2	 not supplied
C12	N/A	4	
U139	Ø4.5 x 15mm	8	 not supplied



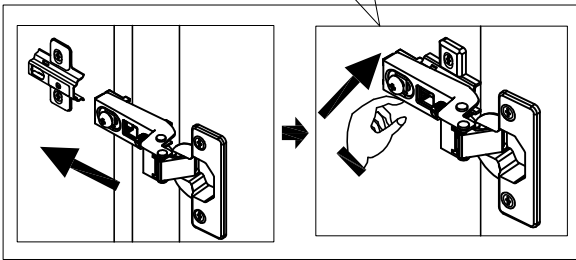
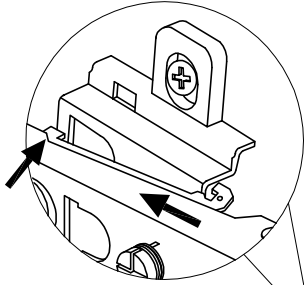
# NEXT BRONX SOUNDBAR TV UNIT

T55759  
Assembly instructions

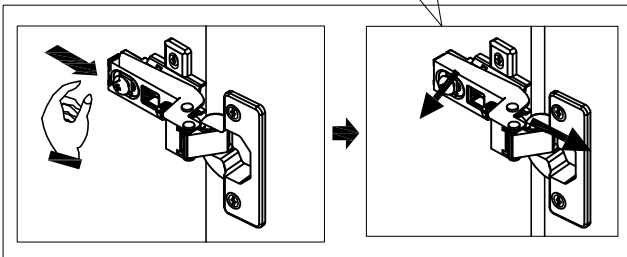
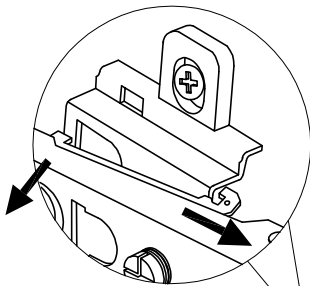
27



## Install hinge

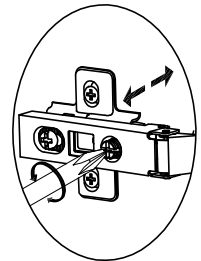


## Remove hinge

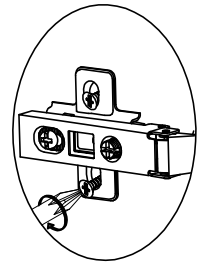
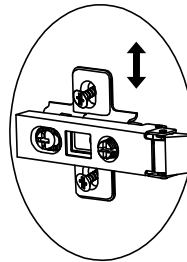
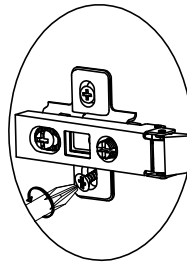


## Adjust Hinge Position

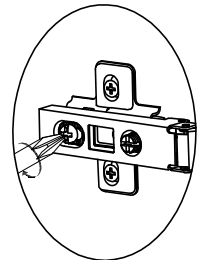
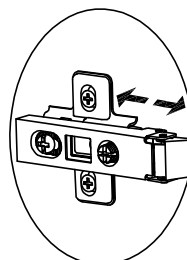
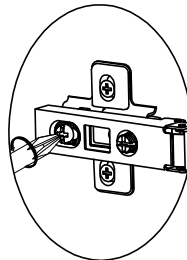
LATERAL



VERTICAL



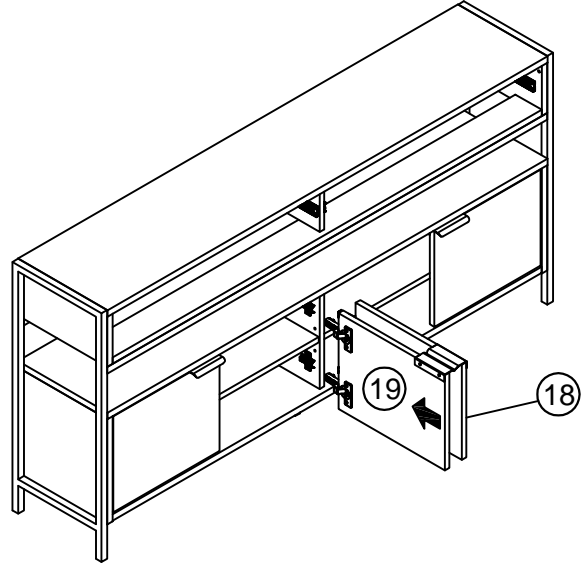
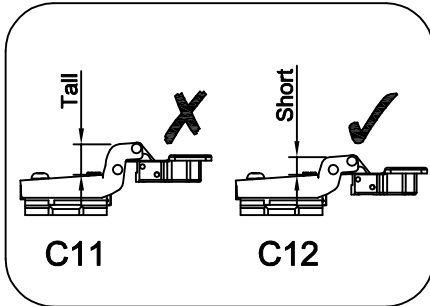
FRONT- TO-BACK



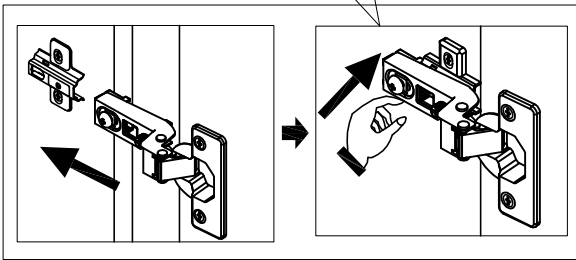
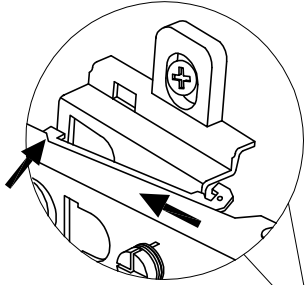
# NEXT BRONX SOUNDBAR TV UNIT

T55759  
Assembly instructions

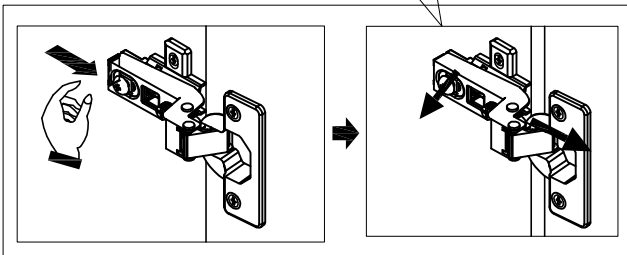
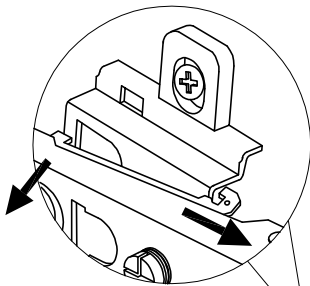
28



## Install hinge

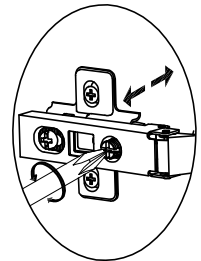


## Remove hinge

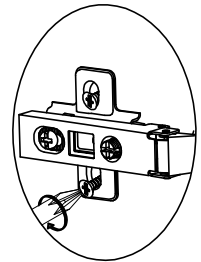
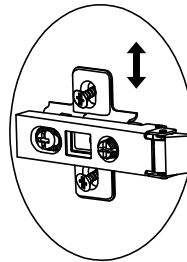
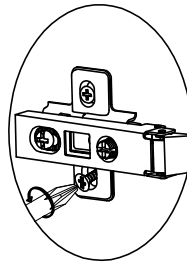


## Adjust Hinge Position

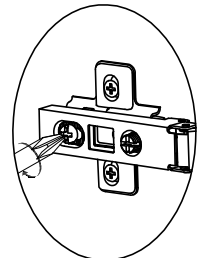
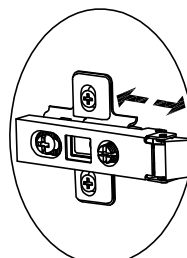
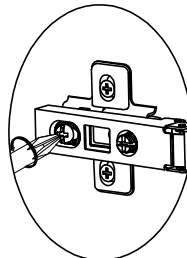
### LATERAL



### VERTICAL



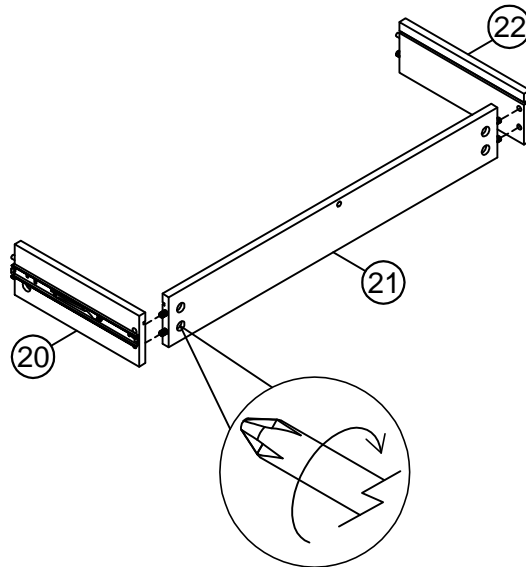
### FRONT- TO-BACK



# NEXT

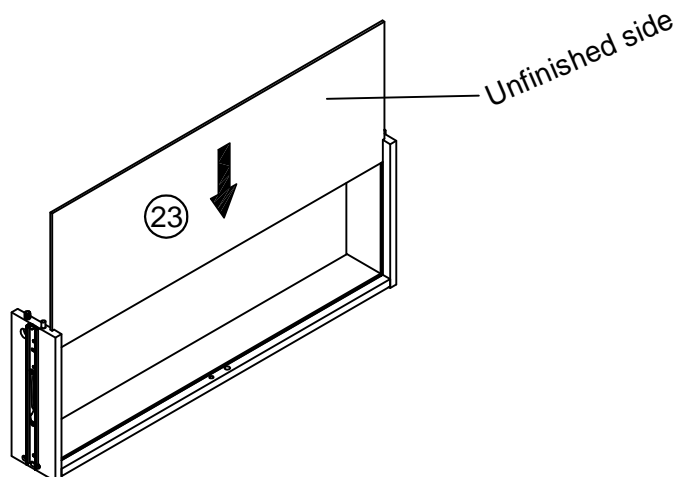
## BRONX SOUNDBAR TV UNIT T55759 Assembly instructions

29



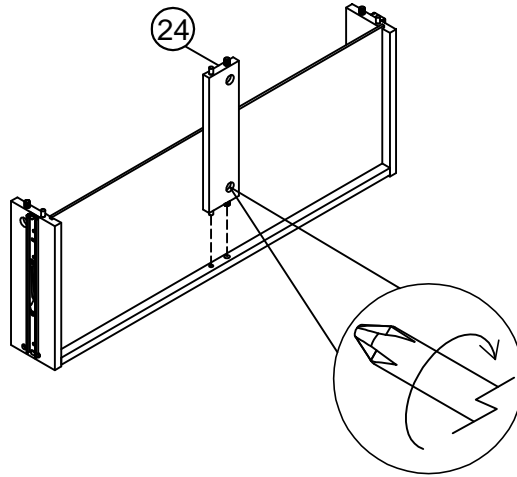
X 2

30



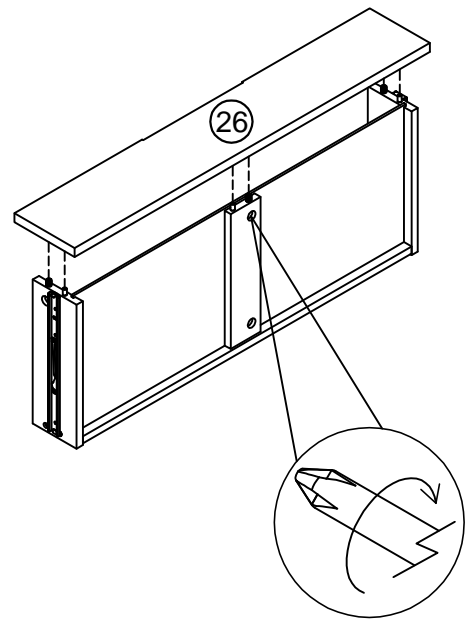
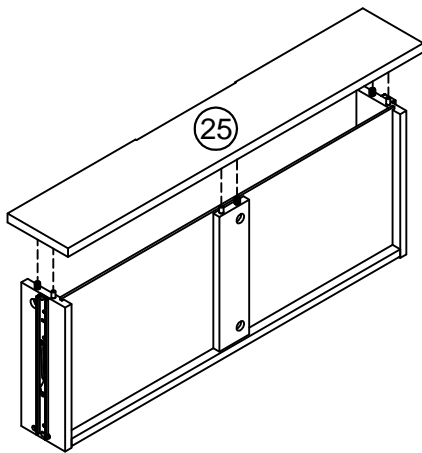
X 2

31

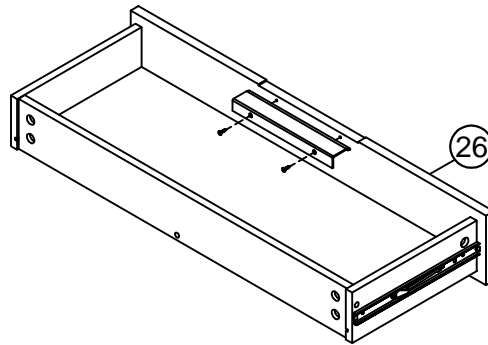
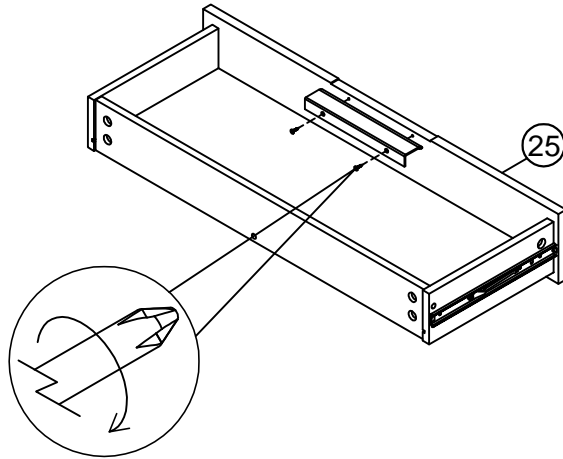


X 2

32



33

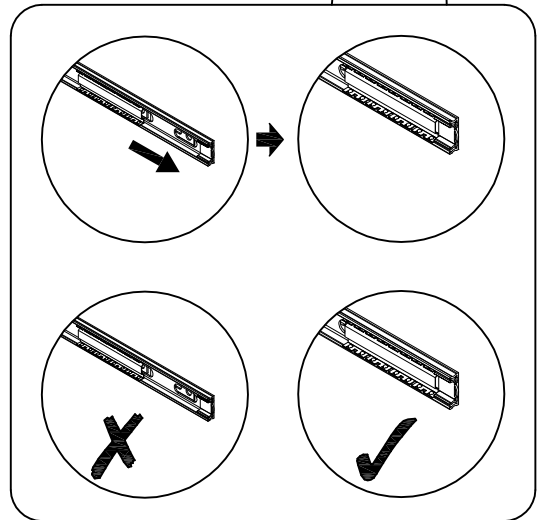
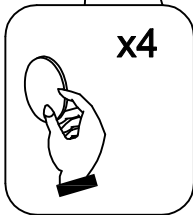
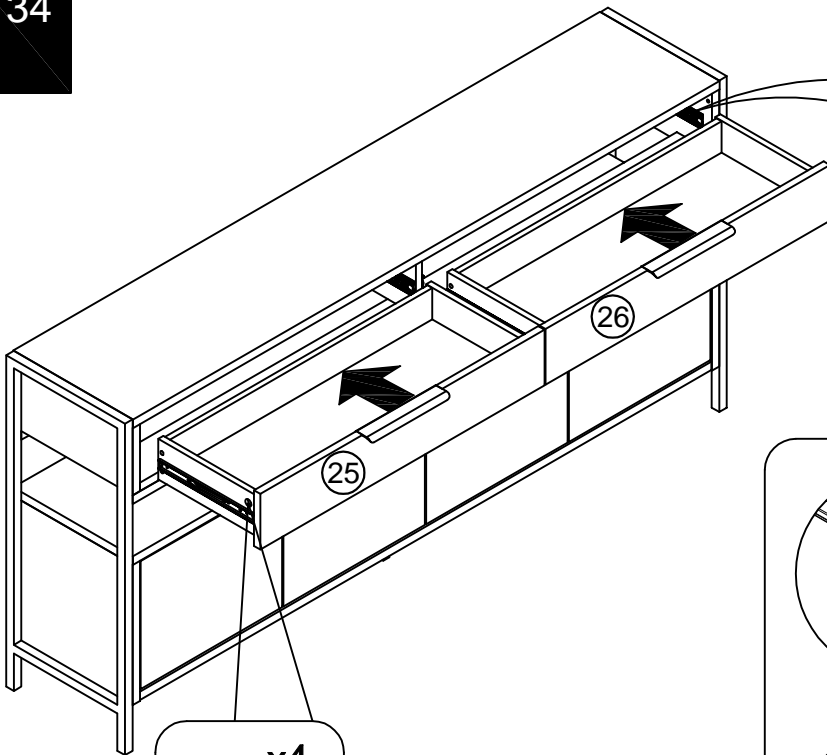


E39	N/A	2	
-----	-----	---	--

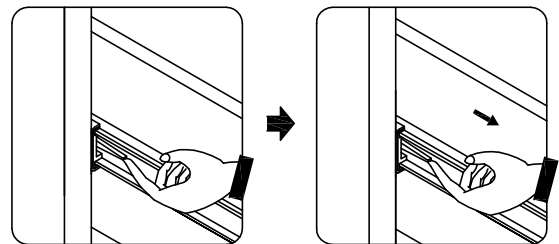
# NEXT BRONX SOUNDBAR TV UNIT

T55759  
Assembly instructions

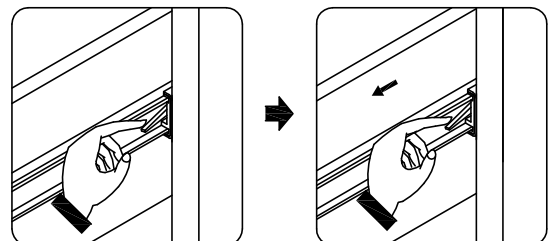
34



Left side

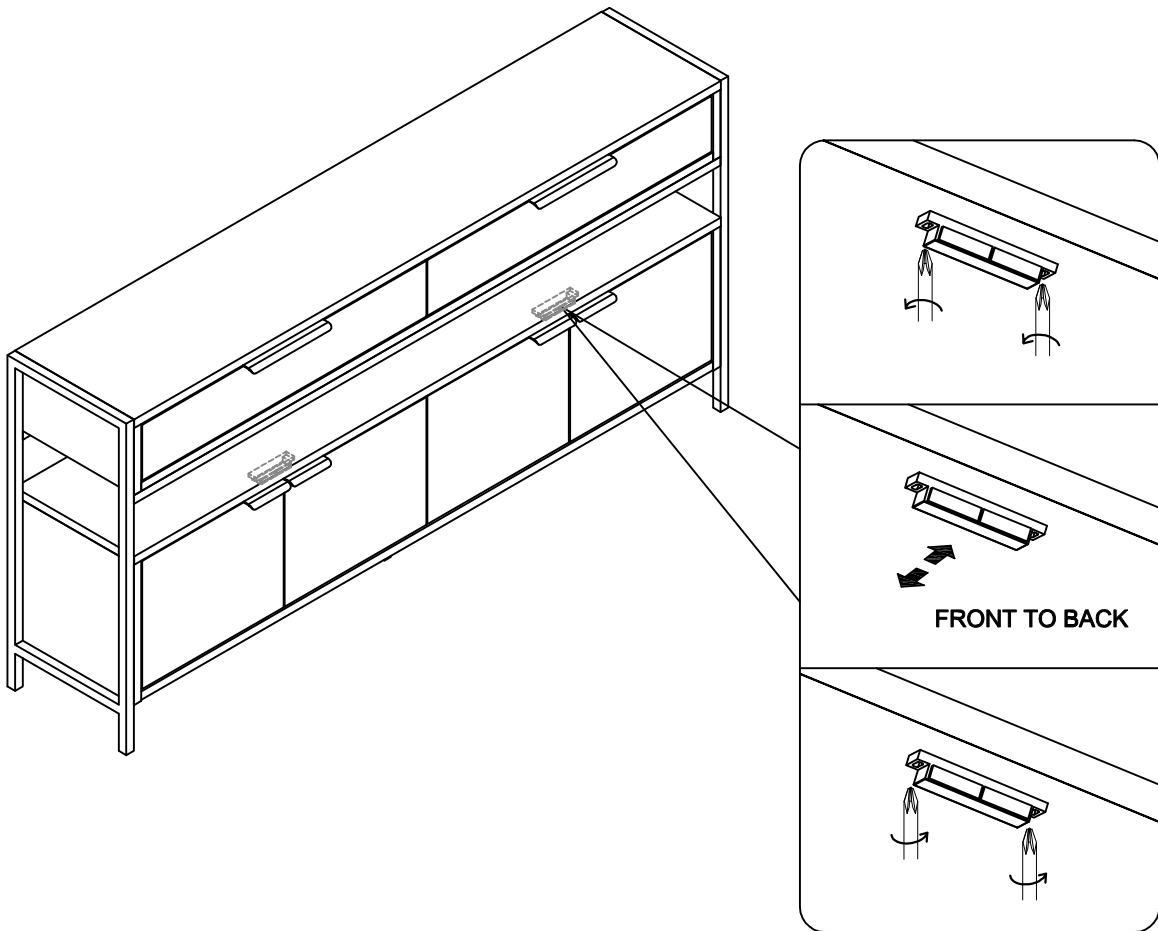


Right side



O1	Ø21	4	
----	-----	---	--

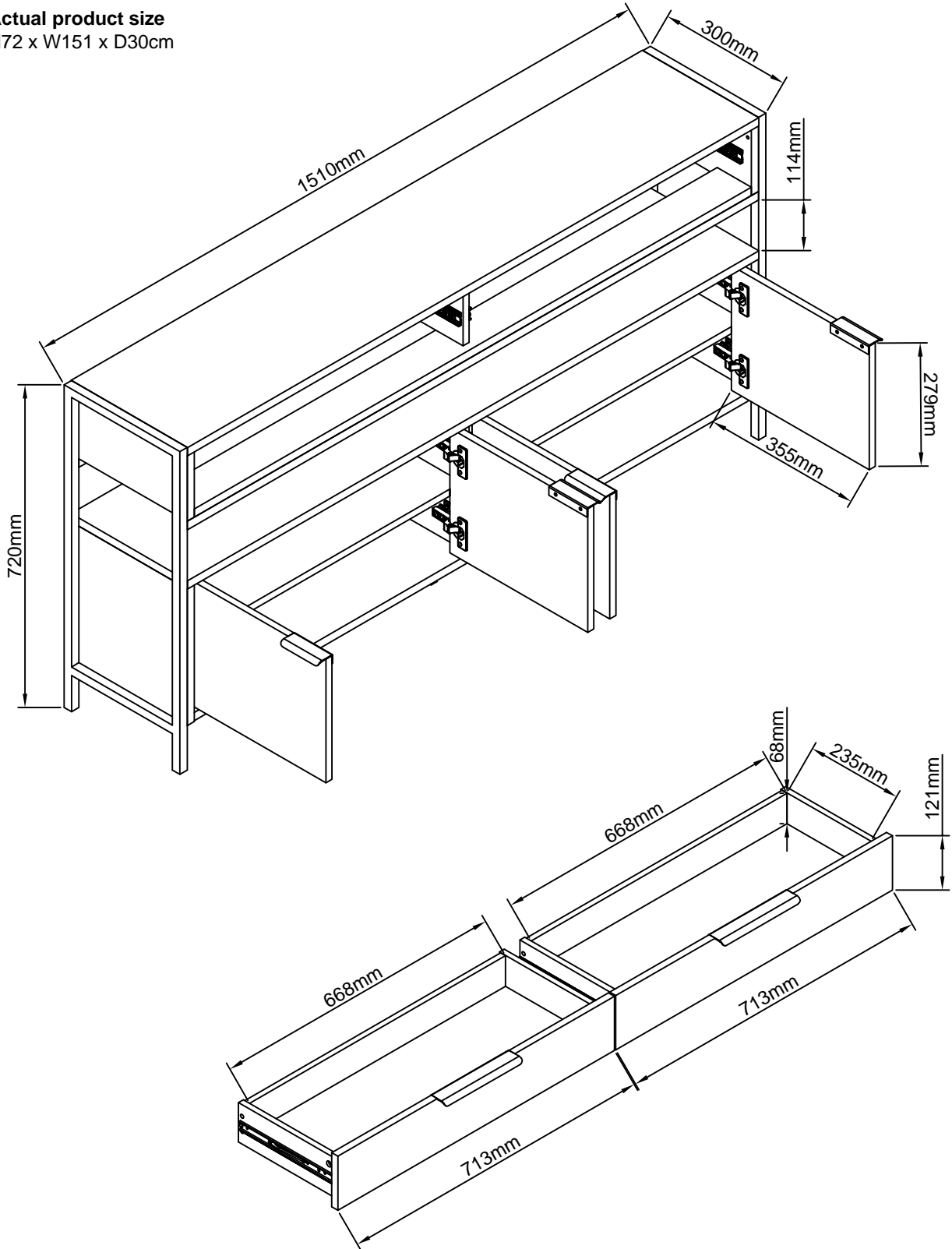
35



# NEXT BRONX SOUNDBAR TV UNIT

T55759

Actual product size  
H72 x W151 x D30cm





# **NEXT** BRONX SOUNDBAR TV UNIT T55759

## **Warnings**

We suggest you retain these instructions for future reference.

Keep fittings out of children's reach and keep children well away from construction area.

This product should only be used on firm level ground.

Please periodically check all fittings and re-tighten as necessary.

Please do not sit or stand on your furniture.

Avoid exposing the furniture to excessive heat or direct sunlight as this can cause deterioration of the colour.

Unwrap all packaging materials and place the components on top of the carton box or on a clean floor to protect it from damage

## **Missing parts**

If you are missing any fixtures and fittings for your product. Please contact our customer service team on 0333 777 8999 and they will be happy to arrange for a replacement to be sent to you free of charge.

## **Home service technicians**

If you have a fault with your product, please contact our customer service team on 0333 777 8999. If you have had the product for 28 days or less you may be offered a replacement, refund or for a fully trained home service technician to visit your home to assess the fault and repair the product where possible. If you have had the product for more than 28 days we will send an independent home service technician to review and repair the product where possible and recommend further action.

## **You can write to us at**

Home Customer Services  
Next Retail Ltd.  
Desford Road,  
Leicester,  
LE19 4AT

To view our full furniture range please visit [www.next.co.uk](http://www.next.co.uk)