

# NEXT

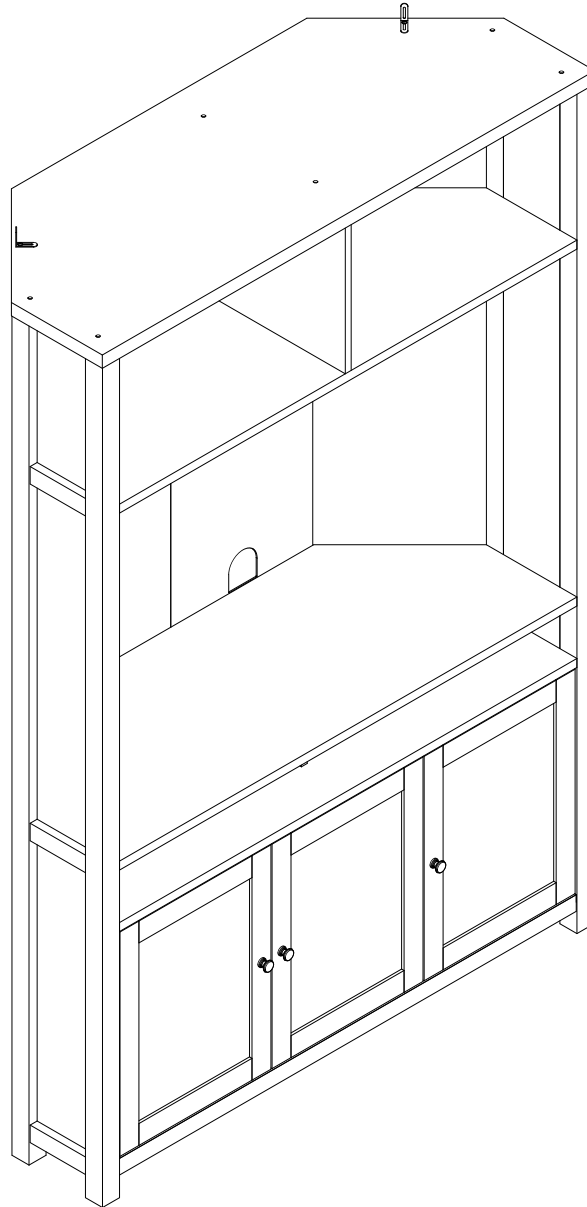
MALVERN CLASSIC CREAM / DOVE GREY TALL CORNER TV UNIT

T66584/T69028

Assembly instructions

**Actual product size**

H195 x W130x D50cm



## Need Help ?

With: Assembly instruction

Missing or damaged parts

**IMPORTANT - RETAIN FOR FUTURE REFERENCE**

**CALL: 0333 777 8999**

# NEXT

MALVERN CLASSIC CREAM / DOVE GREY TALL CORNER TV UNIT  
T66584/T69028  
Assembly instructions

## BEFORE YOU START

### Number of people required to assemble

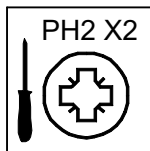
Two people are required to assemble this item



**Time to assemble : 30 minutes**



### Tools required



not supplied

### Do's

We suggest you spend a short time reading through this leaflet before you start.

When you are ready to start, make sure that you have the right tools and plenty of space.

Unwrap all packaging materials and place the components on a clean surface to protect it from damage, We recommend that the packaging is used to protect the surfaces during assembly.

Carefully check that you have all the parts before beginning assembly.

Due to the size of this product we recommend that it is assembled in the room intended for use.

Ensure the product is fully assembled as illustrated and all fixings fully tightened before use.

Wipe occasionally with a soft cloth slightly dampened with water. Then buff with a dry clean soft cloth.

Wood will mellow and change colour over time, we recommend that ornaments and items placed on the surface are moved regularly for the first few months to prevent uneven mellowing.

### Don'ts

Do not drag or pull your furniture.

Do not rub or scrub the surface when cleaning.

Do not use silicone based furniture polish. Silicone in furniture polishes can break down the finish.

Never allow any kind of liquid to remain on your furniture.  
Absorption can cause wood to warp or finishes to de-laminate.

Do not place hot items (e.g. hot drinks) directly on to the wood surface. Please make sure you use a placemat or coaster.

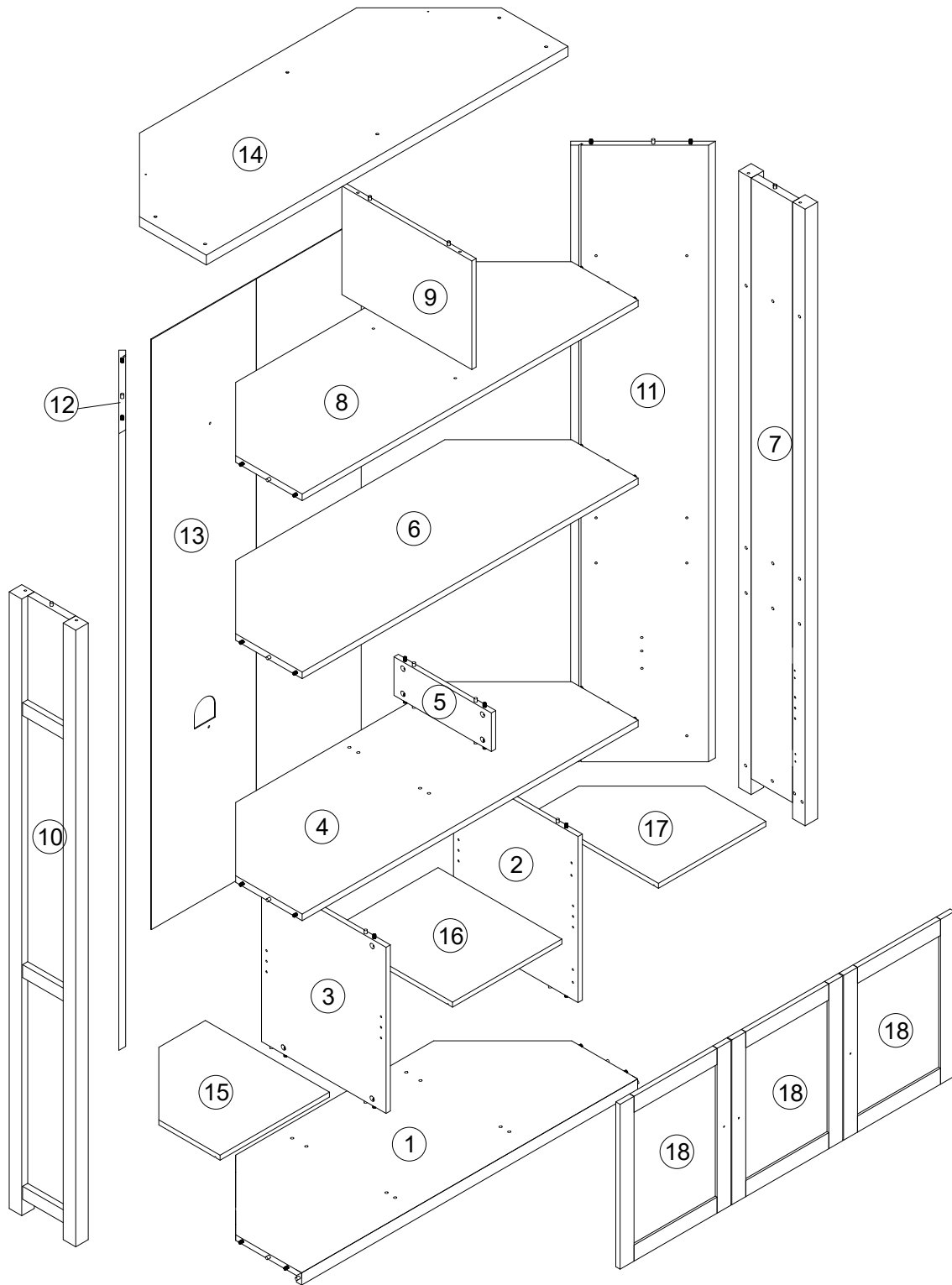
# NEXT

MALVERN CLASSIC CREAM / DOVE GREY TALL CORNER TV UNIT

T66584/T69028

Assembly instructions

## GETTING TO KNOW YOUR PRODUCT



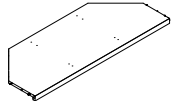
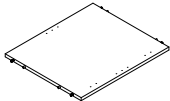
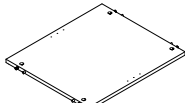
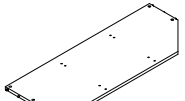
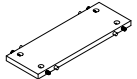
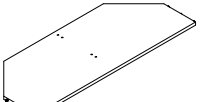


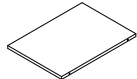
# NEXT


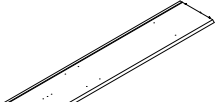

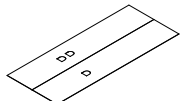
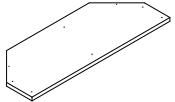
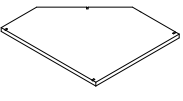
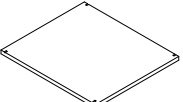
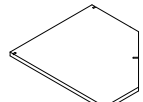
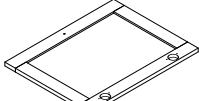
MALVERN CLASSIC CREAM / DOVE GREY TALL CORNER TV UNIT

T66584/T69028

Assembly instructions

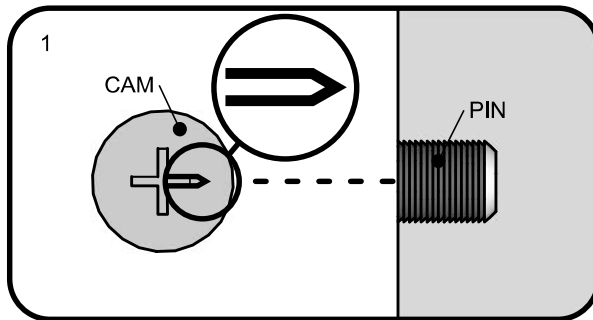
Components supplied. Please use this guide if you require replacement parts.

Ref	Dimensions	Visual	Qty	Ctn
1	48.5x121cm		1	1
2	44.5x52cm		1	1
3	44.5x52cm		1	1
4	46.5x121cm		1	1
5	12x35cm		1	1
6	46.5x121cm		1	1
7	24x192cm		1	2
8	46.5x121cm		1	1
9	33.5x46.5cm		1	2

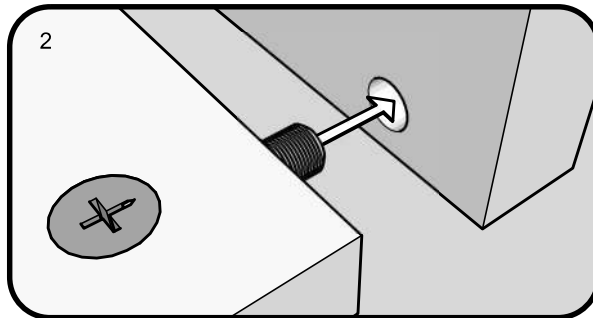
Ref	Dimensions	Visual	Qty	Ctn
10	24x192cm		1	2
11	37x192cm		1	2
12	37x192cm		1	2
13	75.5x183.5cm		1	2
14	50x130cm		1	1
15	39.5x44.5cm		1	2
16	39.5x44.5cm		1	2
17	38.5x44.5cm		1	2
18	40x51.5cm		3	1

**NEXT**

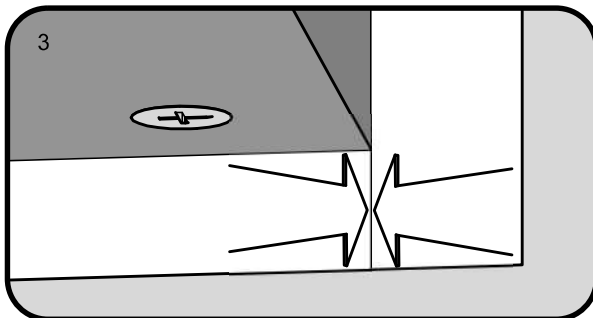
## TITUS TIGHTENING INSTRUCTIONS



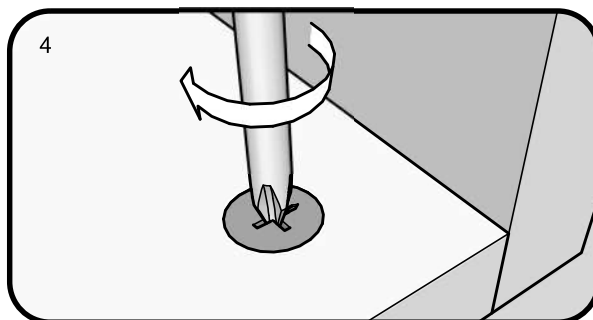
Line up the arrow on the CAM with the PIN.



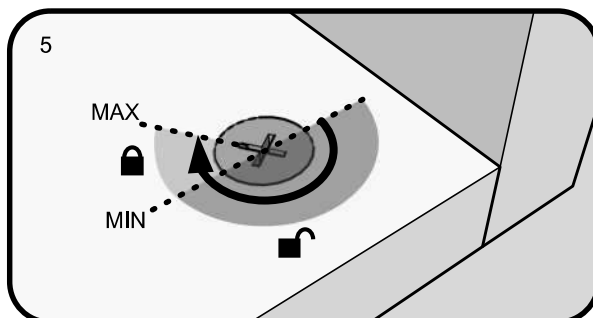
Push the pins into the holes in the panel to be joined.



Make sure there is no gap between the panels.



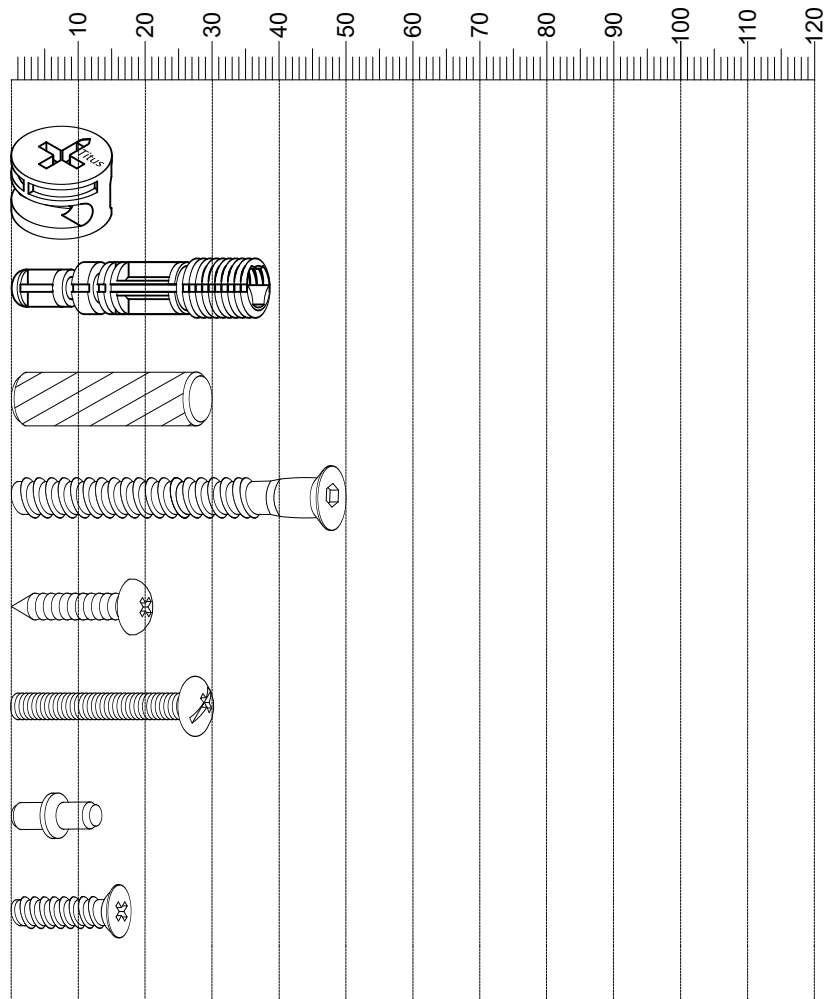
Use a cross-point screwdriver (PH2 or PZ2 is ideal) to tighten the cams and lock the panels together.



The panels are locked when each cam is turned to between 1/2 and 2/3 of a full turn (Maximum rotation)

**Fixtures and fittings supplied (actual size)**

Ref	Dimensions	Qty	Spare Qty
B3	Ø15 x 12mm	N/A	2
B8	Ø8 x 38mm	N/A	2
D6	Ø8 x 30mm	N/A	2
Y8	Ø6 x 50mm	24	2
S41	Ø4 x 16mm	6	1
Z23	Ø4 x 25mm	3	N/A
P3	Ø5x16mm	12	2
U139	Ø4.5 x 15mm	24	2



**Fixtures and fittings supplied ( not to scale)**

Ref	Dimensions	Qty	Spare Qty	Visual
E28	N/A	3	N/A	
C11	N/A	6	N/A	
N1	N/A	2	N/A	
O1	Ø21mm	22	2	

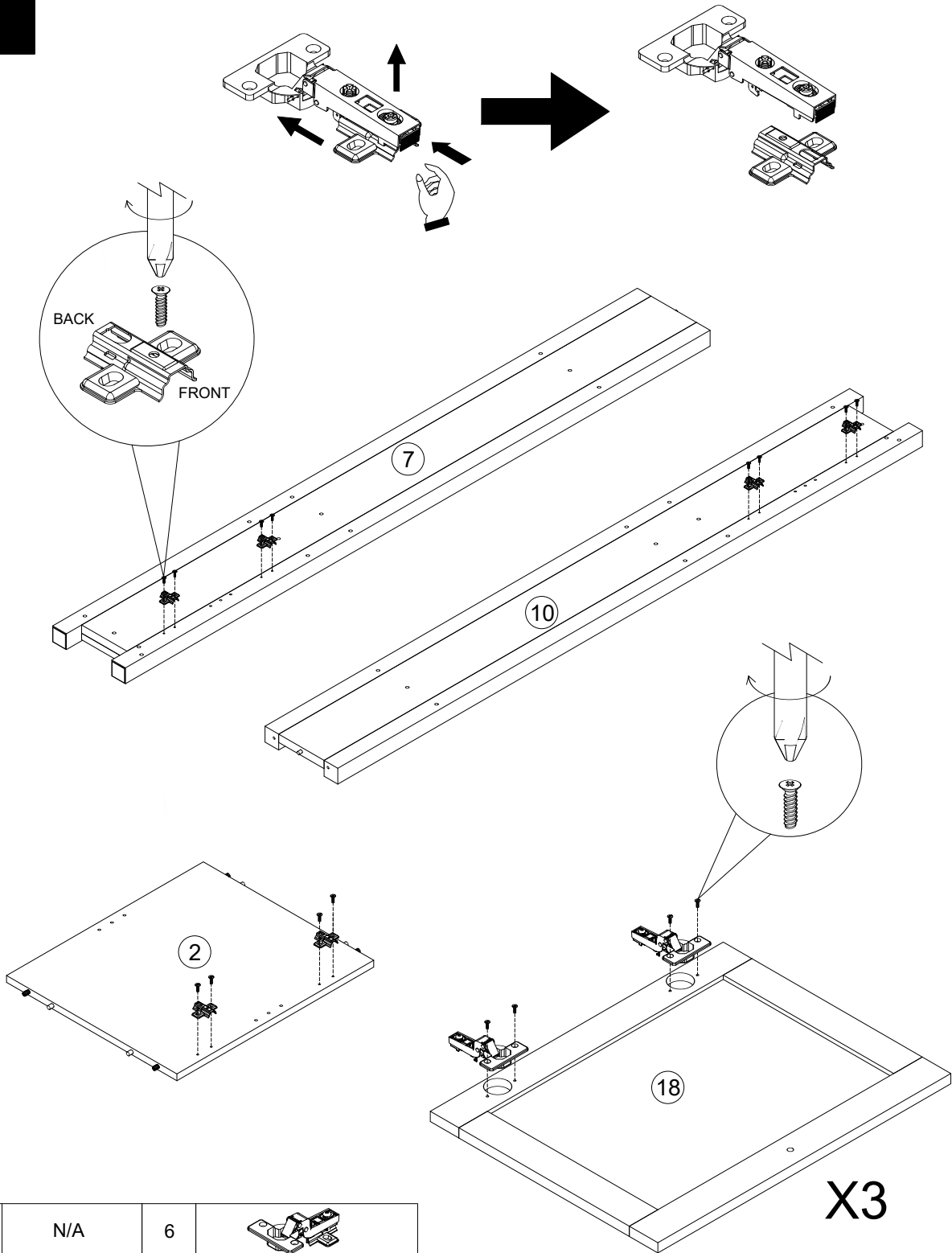
**Fixtures and fittings supplied ( not to scale)**


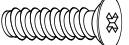
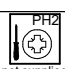
Ref	Dimensions	Qty	Spare Qty	Visual
T38	N/A	8	1	
T1	N/A	2	N/A	
T10	N/A	1	N/A	

# NEXT

MALVERN CLASSIC CREAM / DOVE GREY TALL CORNER TV UNIT  
 T66584/T69028  
 Assembly instructions

1

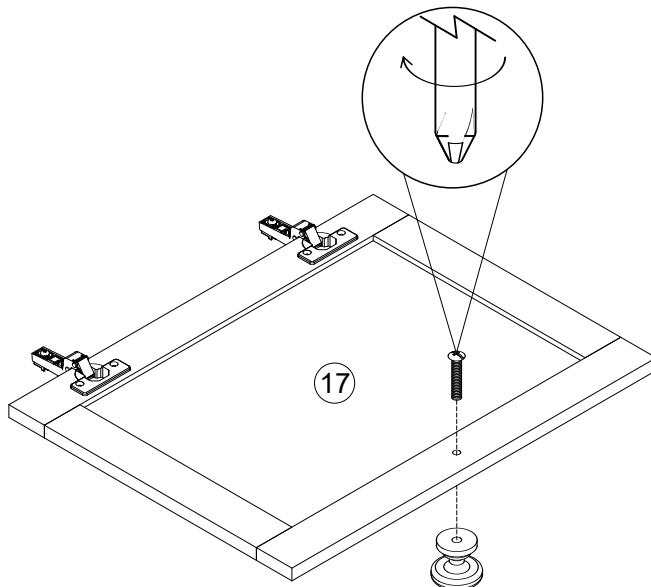



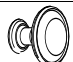
C11	N/A	6	
U139	Ø4.5 x 15mm	24	  not supplied

# NEXT

## MALVERN CLASSIC CREAM / DOVE GREY TALL CORNER TV UNIT T66584/T69028 Assembly instructions

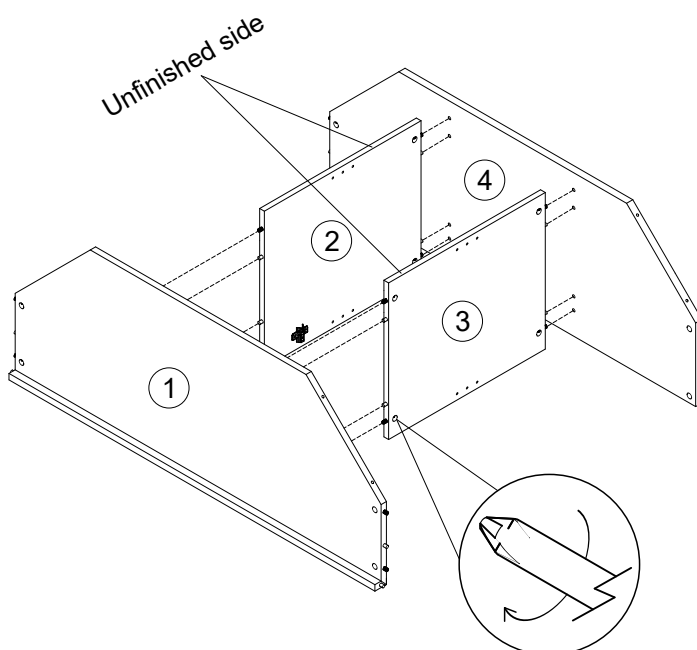
2



Z23	Ø4 x 25mm	3	
E28	N/A	3	

# X3

3

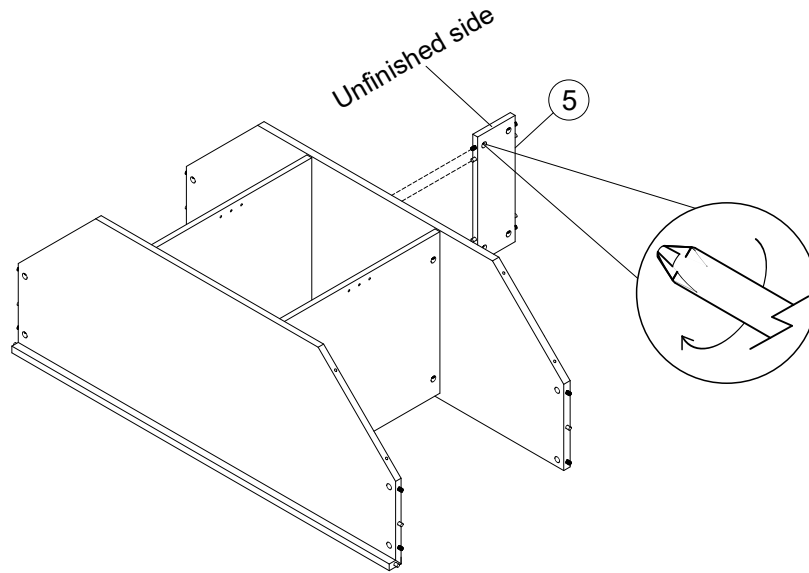




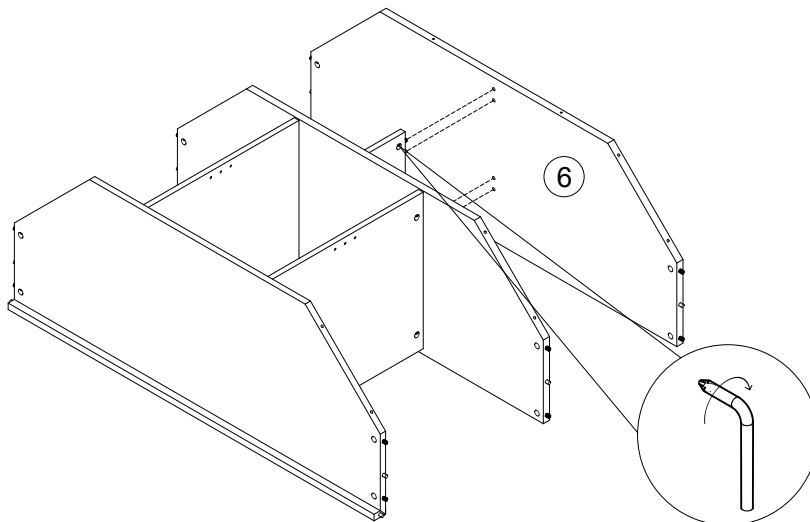
# NEXT

MALVERN CLASSIC CREAM / DOVE GREY TALL CORNER TV UNIT  
T66584/T69028  
Assembly instructions

4



5



T10

N/A

1



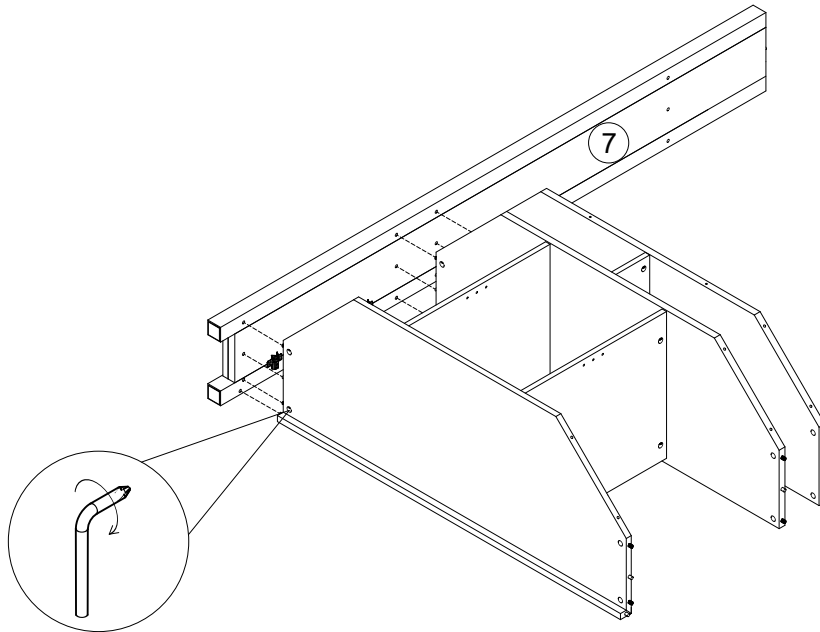
# NEXT

MALVERN CLASSIC CREAM / DOVE GREY TALL CORNER TV UNIT

T66584/T69028

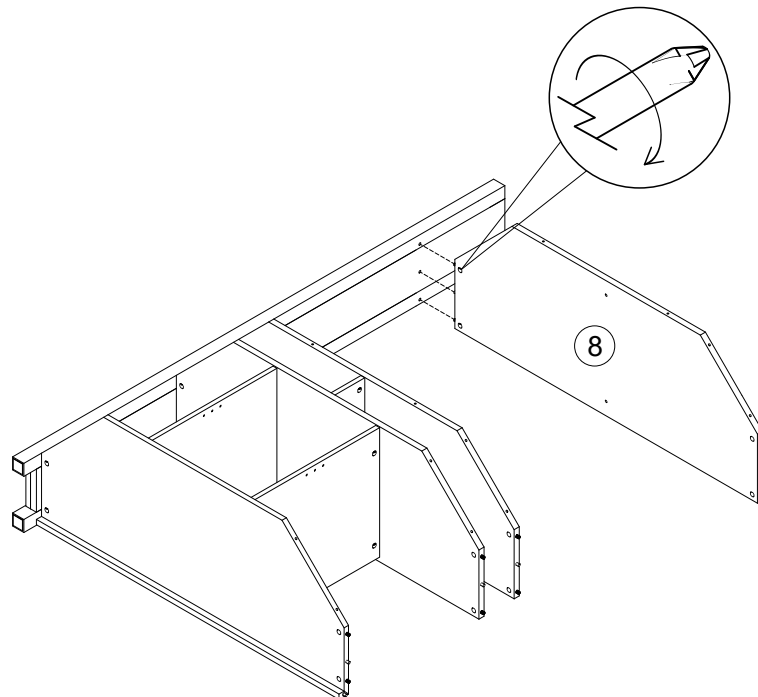
Assembly instructions

6



T10	N/A	1	
-----	-----	---	--

7



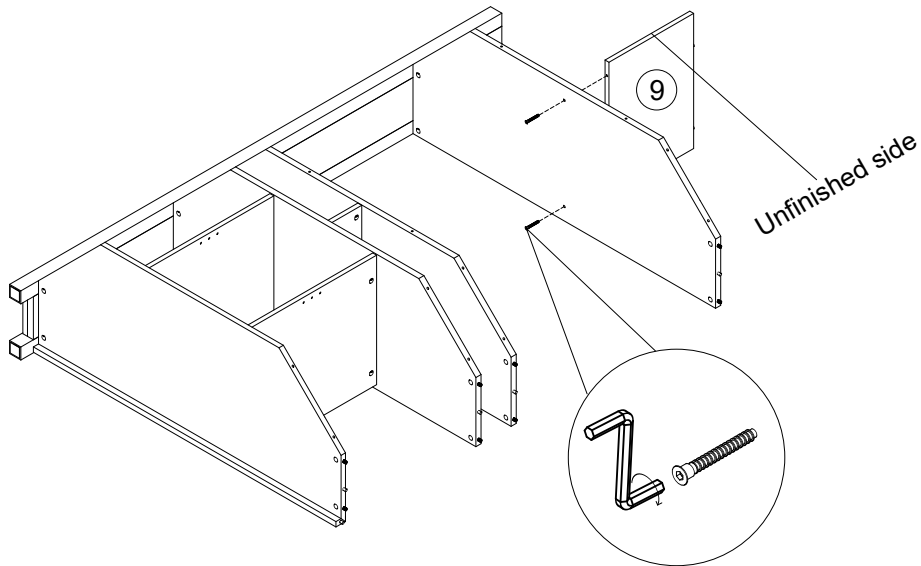
# NEXT


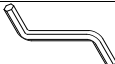
## MALVERN CLASSIC CREAM / DOVE GREY TALL CORNER TV UNIT

### T66584/T69028

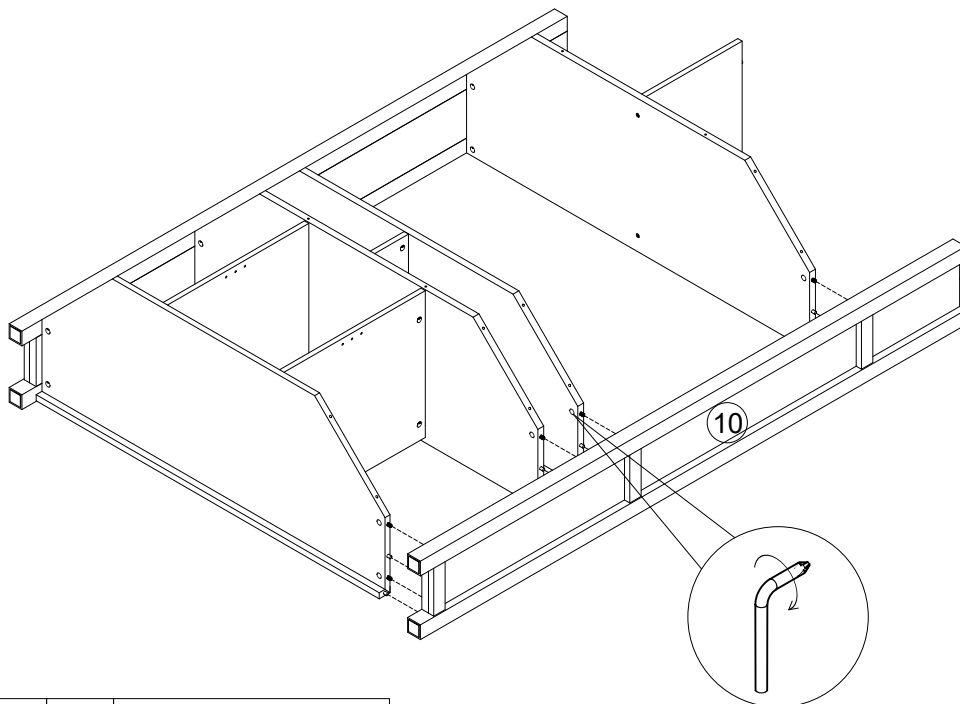
### Assembly instructions

8



Y8	Ø6 x 50mm	2	
T1	N/A	2	

9



T10	N/A	1	
-----	-----	---	-------------------------------------------------------------------------------------

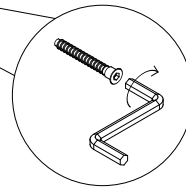
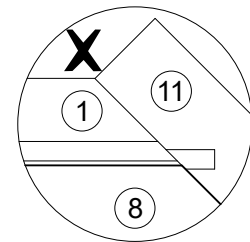
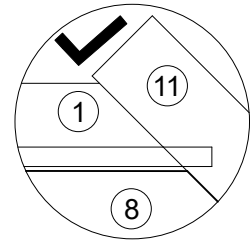
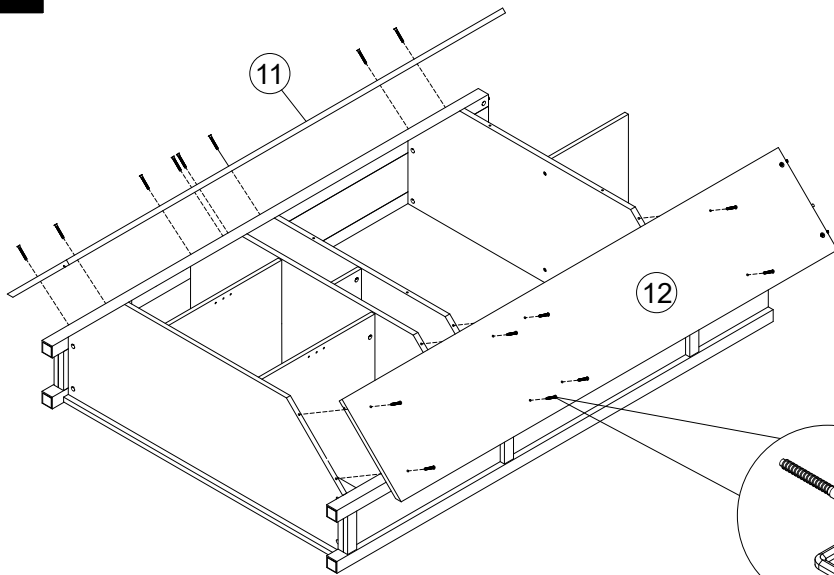
# NEXT


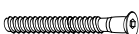
MALVERN CLASSIC CREAM / DOVE GREY TALL CORNER TV UNIT

T66584/T69028

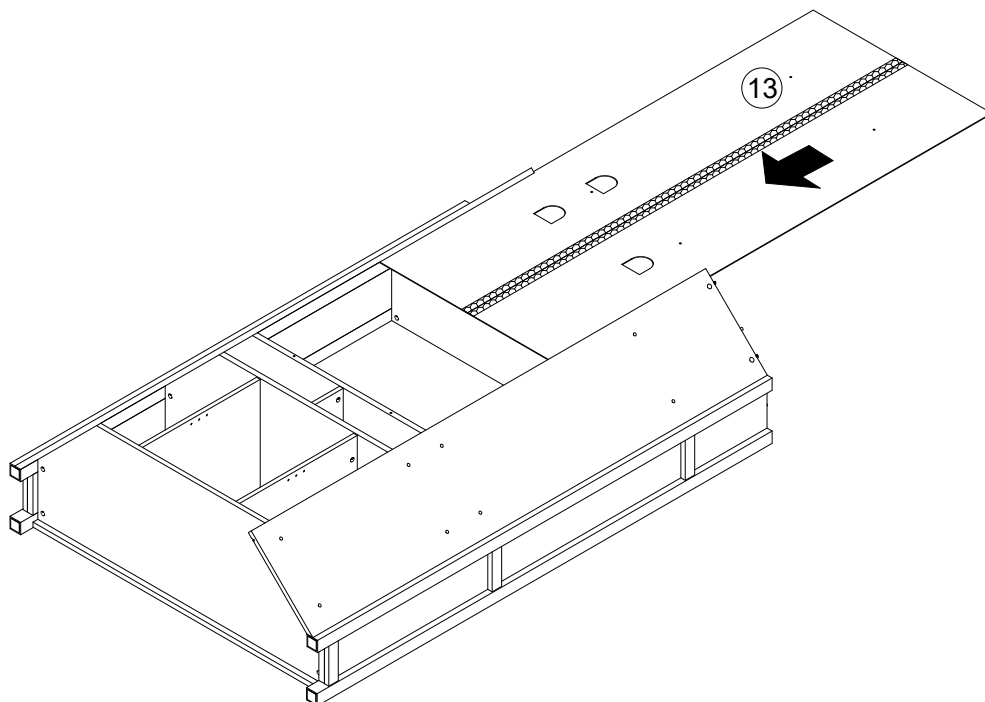
Assembly instructions

10



T1	N/A	2	
Y8	Ø6 x 50mm	16	

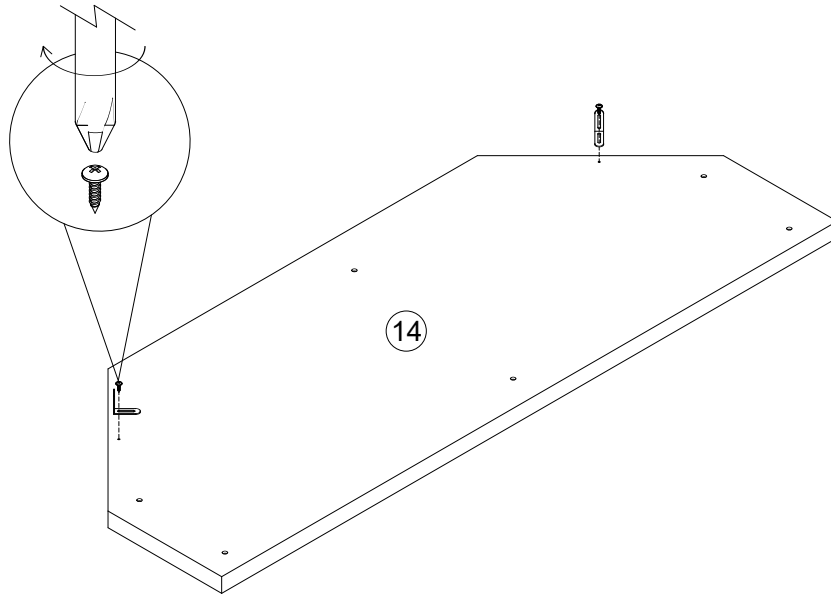
11

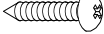




# NEXT

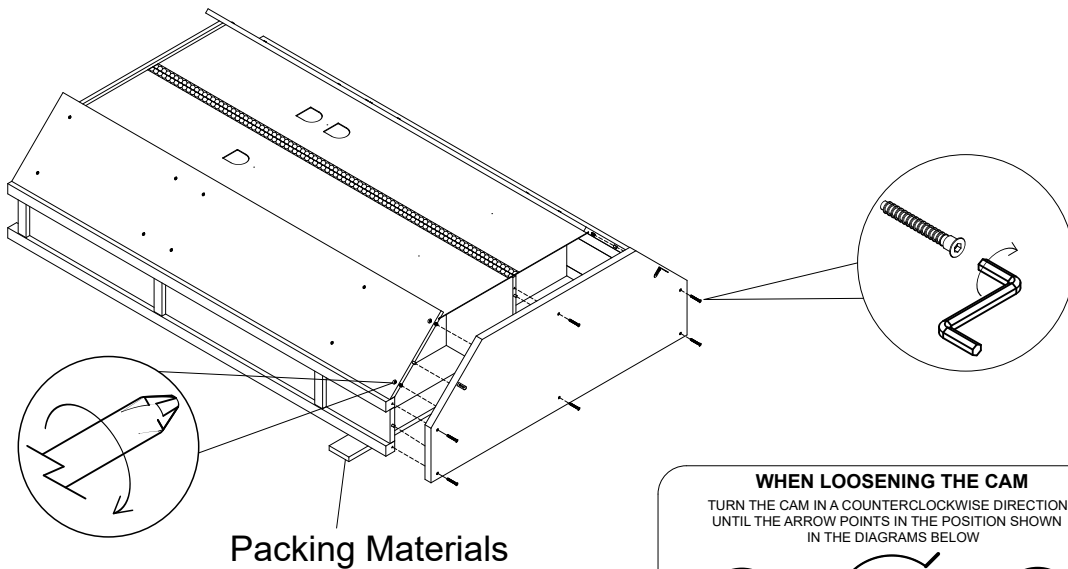
MALVERN CLASSIC CREAM / DOVE GREY TALL CORNER TV UNIT  
 T66584/T69028  
 Assembly instructions

12




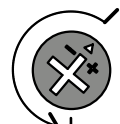

S41	Ø4 x 16mm	2	 
N1	N/A	2	


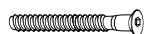
13



Packing Materials

**WHEN LOOSENING THE CAM**  
 TURN THE CAM IN A COUNTERCLOCKWISE DIRECTION UNTIL THE ARROW POINTS IN THE POSITION SHOWN IN THE DIAGRAMS BELOW

		
MAXIMUM LOCK	TURN TO UNLOCK	UNLOCKED

T1	N/A	2	
Y8	Ø6 x 50mm	6	

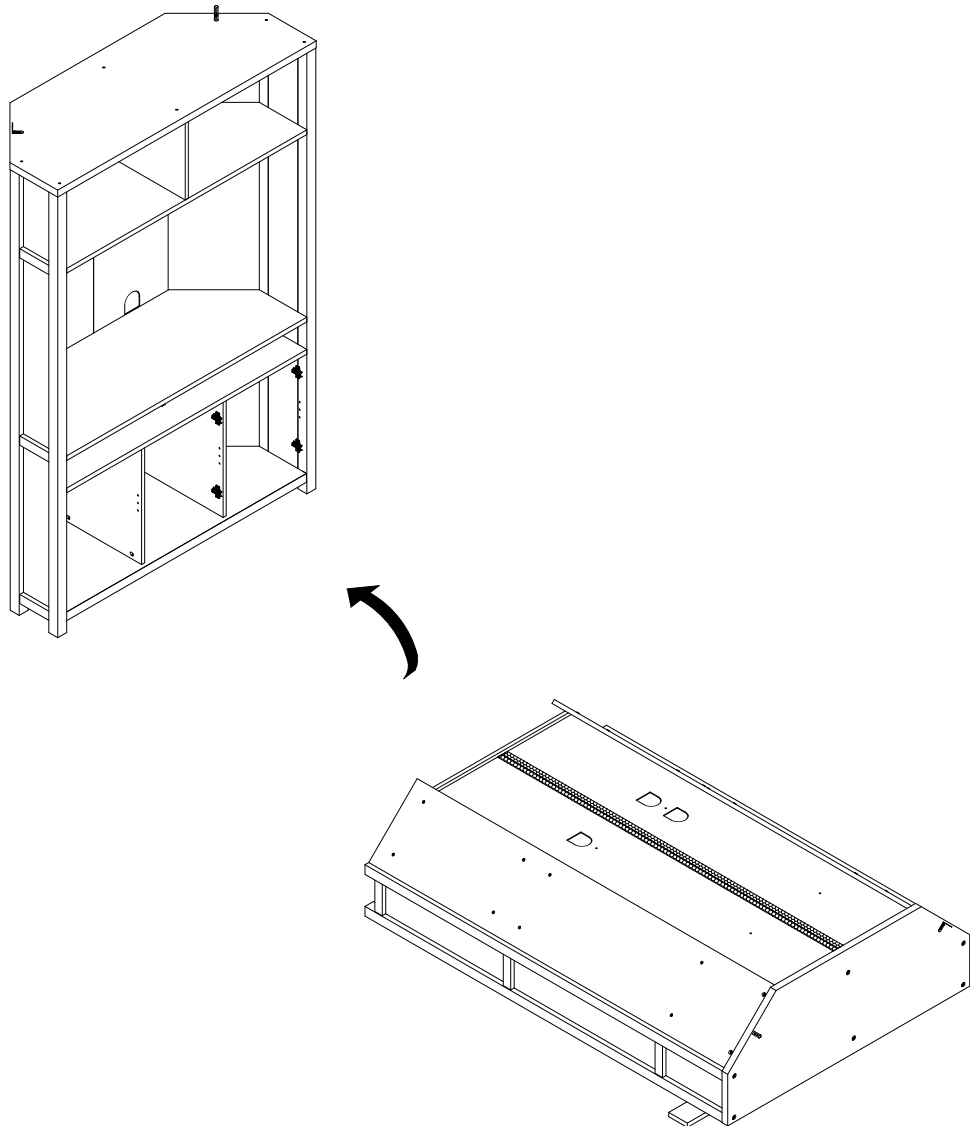
# NEXT

MALVERN CLASSIC CREAM / DOVE GREY TALL CORNER TV UNIT

T66584/T69028

Assembly instructions

15



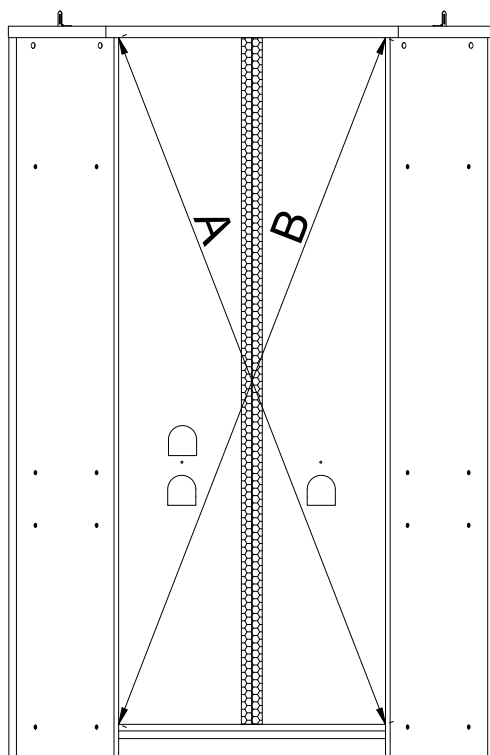
# NEXT

MALVERN CLASSIC CREAM / DOVE GREY TALL CORNER TV UNIT

T66584/T69028

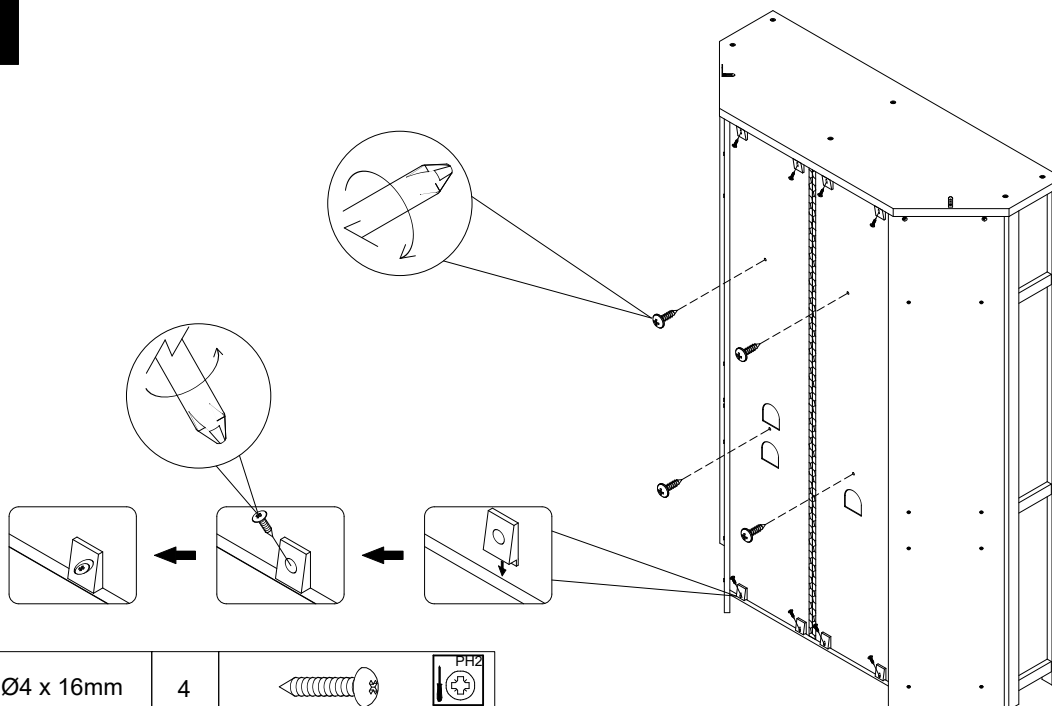
Assembly instructions





16



A=B

17



S41	Ø4 x 16mm	4		 not supplied
T38	N/A	8		 not supplied

# NEXT

MALVERN CLASSIC CREAM / DOVE GREY TALL CORNER TV UNIT

T66584/T69028

Assembly instructions

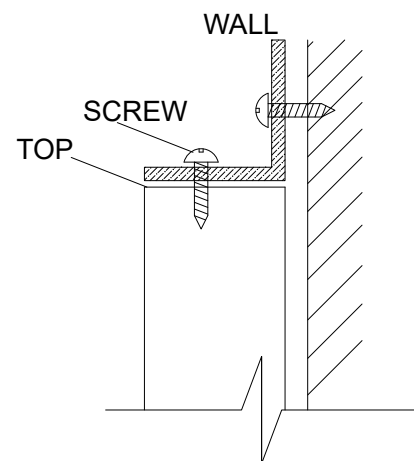
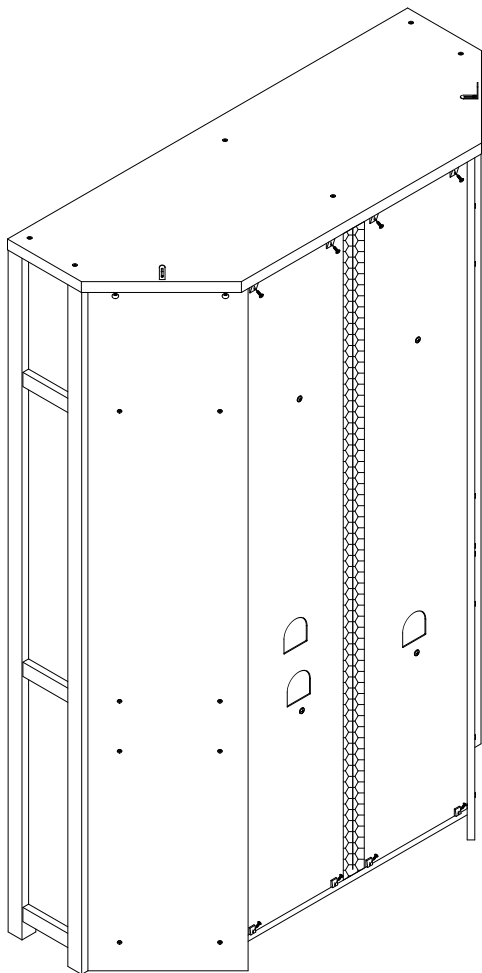
18

We recommend the use of the wall attachment bracket/strap provided for safety reasons. Move unit into desired position. Secure the 2X"L" metal brackets to the wall with an appropriate screw and wall plug for your wall type (not provided).

Warning: Always ensure intended wall area to be drilled is free from hidden electrical wires, water and gas pipes.

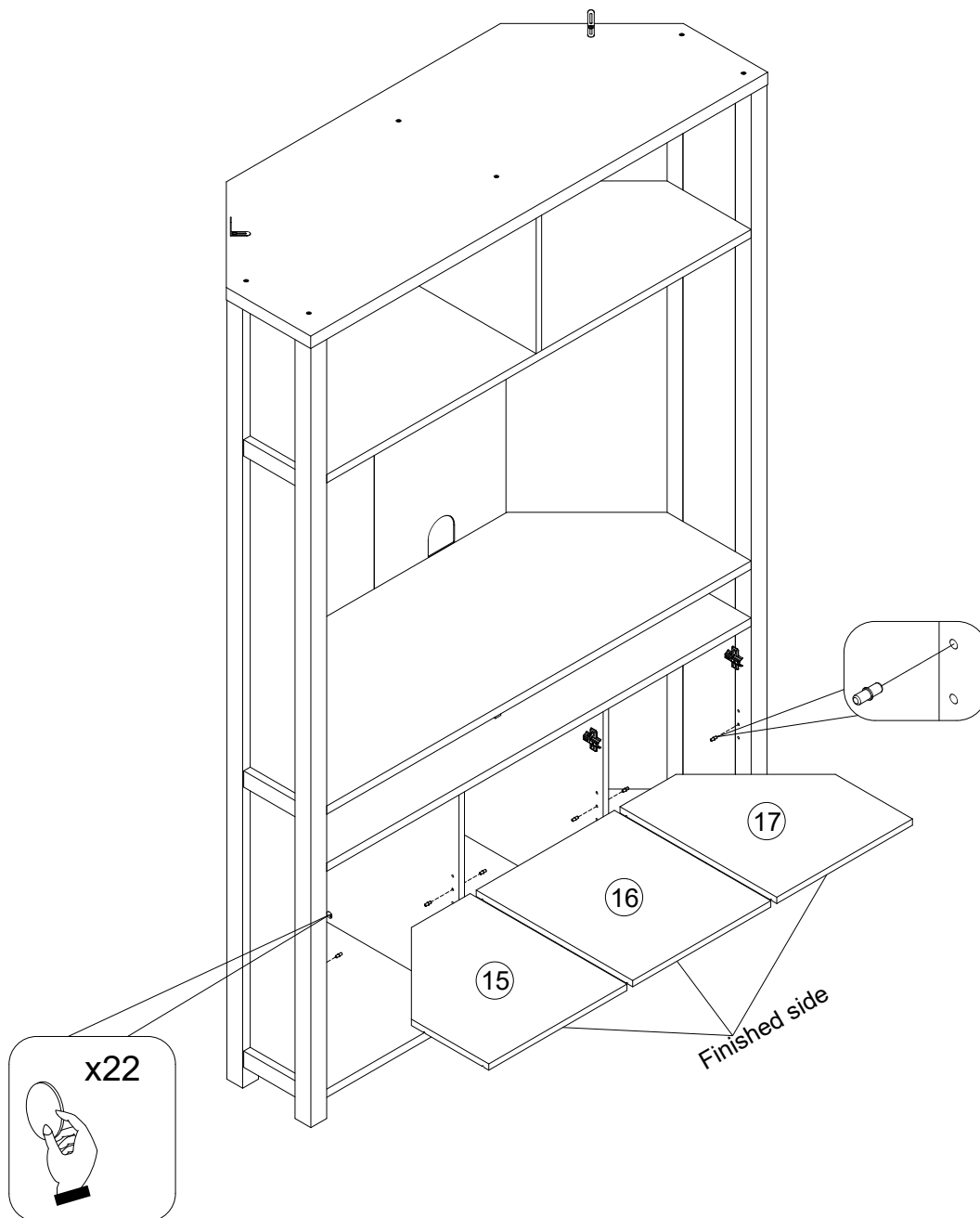
NB: Wall fixings are not included-Please source suitable fixing for your wall type.



If in doubt please consult a qualified trades person.





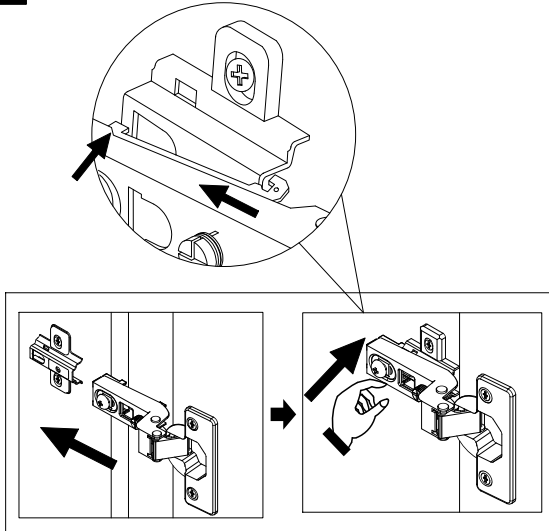
19



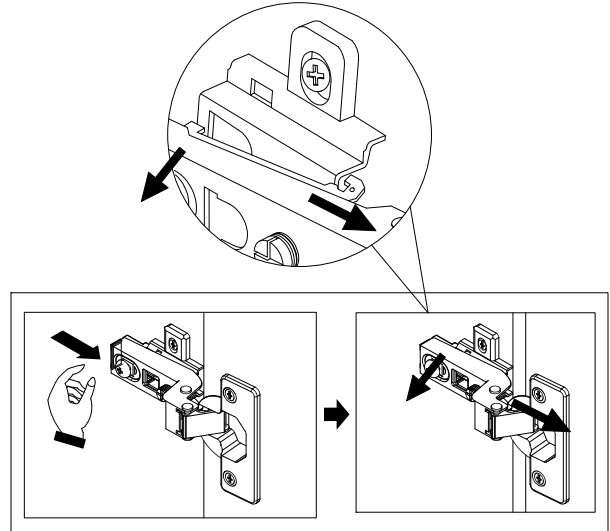
O1	Ø21mm	22	
P3	Ø5 x 16mm	12	

20

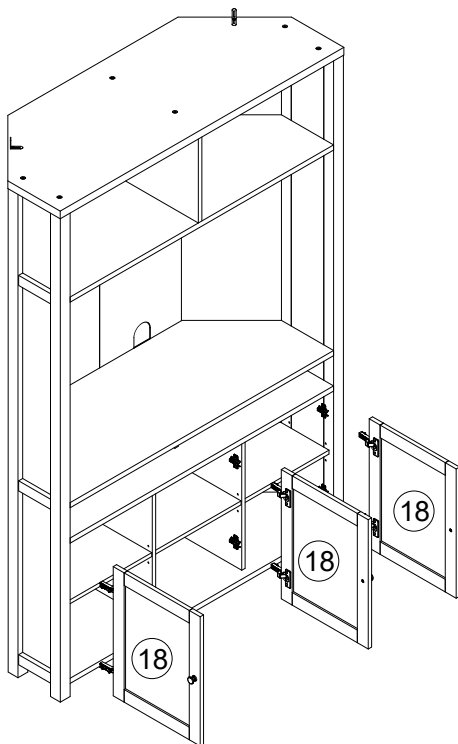
## Install hinge



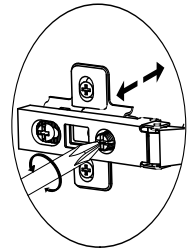
## Remove hinge



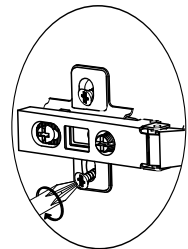
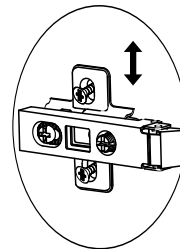
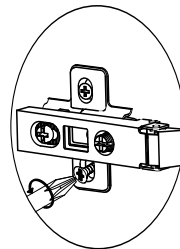
## Adjust Hinge Position



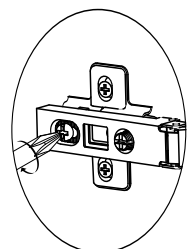
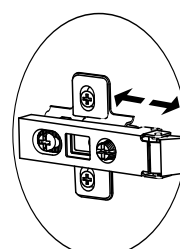
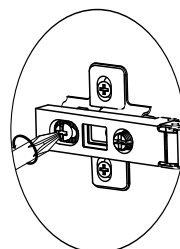
LATERAL



VERTICAL



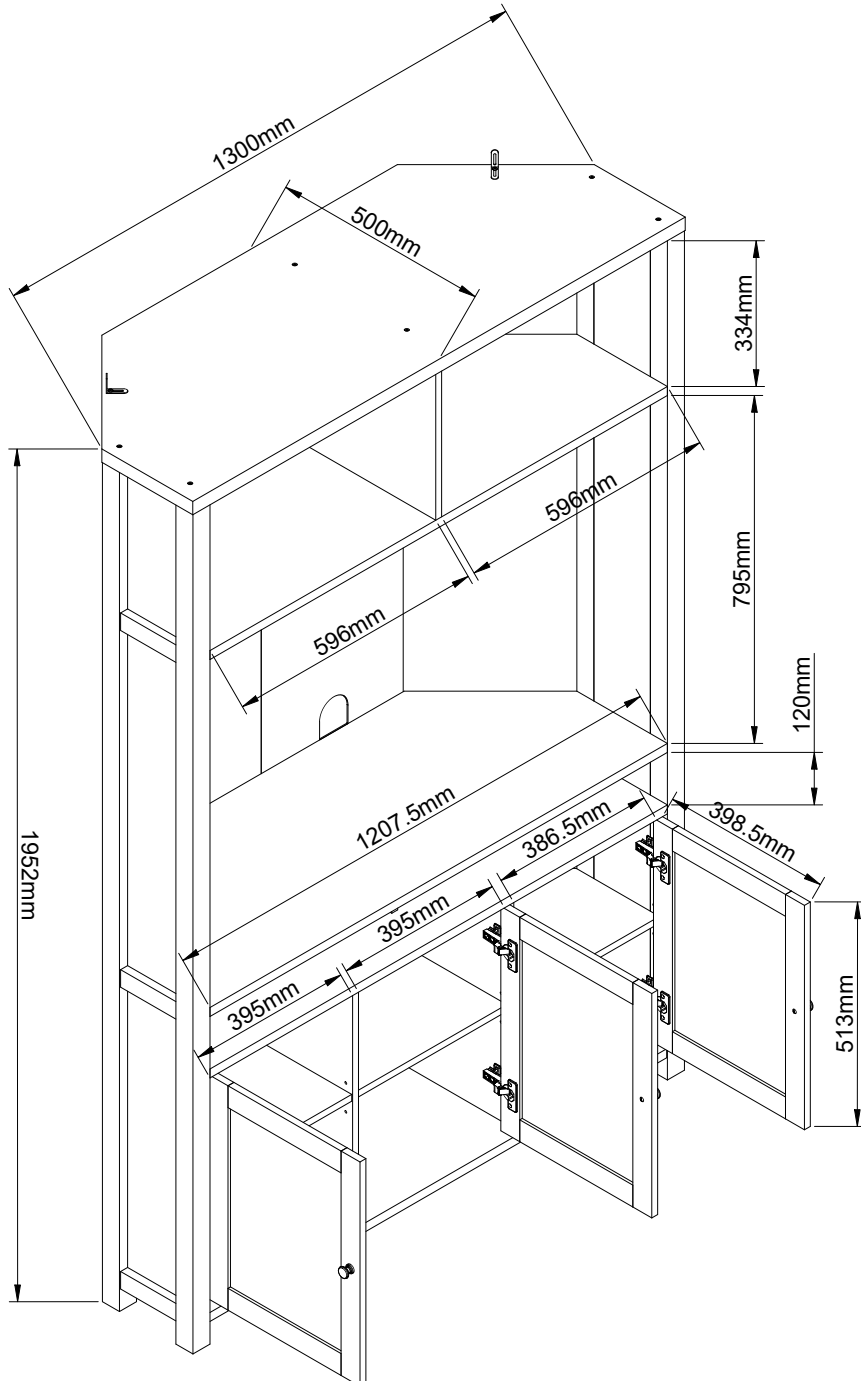
FRONT- TO-BACK



# NEXT

MALVERN CLASSIC CREAM / DOVE GREY TALL CORNER TV UNIT  
T66584/T69028

Actual product size  
H195 x W130 x 50cm



# NEXT

MALVERN CLASSIC CREAM / DOVE GREY TALL CORNER TV UNIT  
T66584/T69028

## Warnings

We suggest you retain these instructions for future reference.

Keep fittings out of children's reach and keep children well away from construction area.

This product should only be used on firm level ground.

Please periodically check all fittings and re-tighten as necessary.

Please do not sit or stand on your furniture.

Avoid exposing the furniture to excessive heat or direct sunlight as this can cause deterioration of the colour.

Unwrap all packaging materials and place the components on top of the carton box or on a clean floor to protect it from damage

## Missing parts

If you are missing any fixtures and fittings for your product. Please contact our customer service team on 0333 777 8999 and they will be happy to arrange for a replacement to be sent to you free of charge.

## Home service technicians

If you have a fault with your product, please contact our customer service team on 0333 777 8999. If you have had the product for 28 days or less you may be offered a replacement, refund or for a fully trained home service technician to visit your home to assess the fault and repair the product where possible. If you have had the product for more than 28 days we will send an independent home service technician to review and repair the product where possible and recommend further action.

## You can write to us at

Home Customer Services  
Next Retail Ltd.  
Desford Road,  
Leicester,  
LE19 4AT

To view our full furniture range please visit [www.next.co.uk](http://www.next.co.uk)