

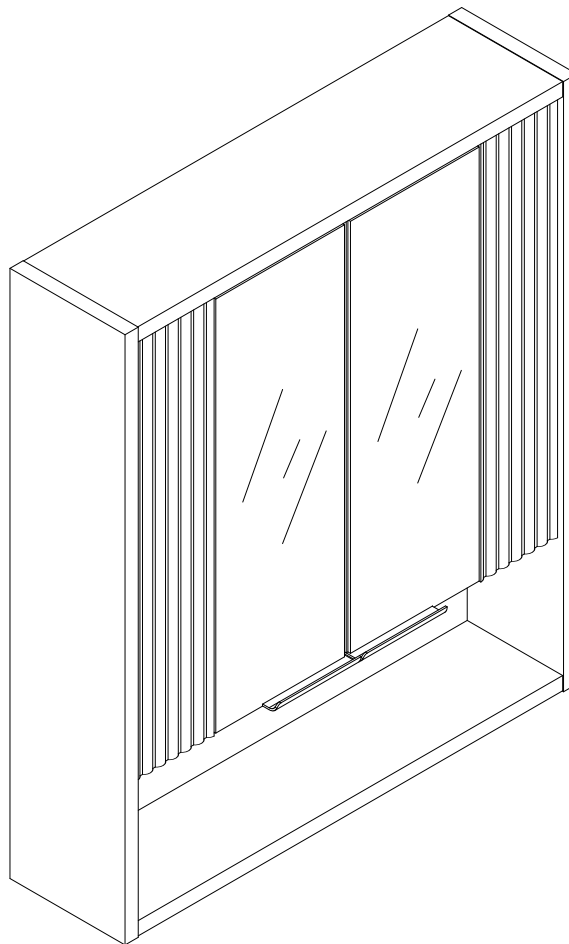
# NEXT

## WHITE RIBBED MIRRORED CABINET

T90939

Assembly instructions

**Actual product size**  
H62 x W53 x D13 cm



### Need Help ?

With: Assembly instruction

Missing or damaged parts

**IMPORTANT - RETAIN FOR FUTURE REFERENCE**

**CALL: 0333 777 8999**

# NEXT

## WHITE RIBBED MIRRORED CABINET T90939 Assembly instructions

### BEFORE YOU START

#### Number of people required to assemble

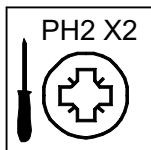
Two people are required to assemble this item



**Time to assemble : 30 minutes**



#### Tools required



not supplied

#### Do's

We suggest you spend a short time reading through this leaflet before you start.

When you are ready to start, make sure that you have the right tools and plenty of space.

Unwrap all packaging materials and place the components on a clean surface to protect it from damage, We recommend that the packaging is used to protect the surfaces during assembly.

Carefully check that you have all the parts before beginning assembly.

Due to the size of this product we recommend that it is assembled in the room intended for use.

Ensure the product is fully assembled as illustrated and all fixings fully tightened before use.

Wipe occasionally with a soft cloth slightly dampened with water. Then buff with a dry clean soft cloth.

#### Don'ts

Do not drag or pull your furniture.

Do not rub or scrub the surface when cleaning.

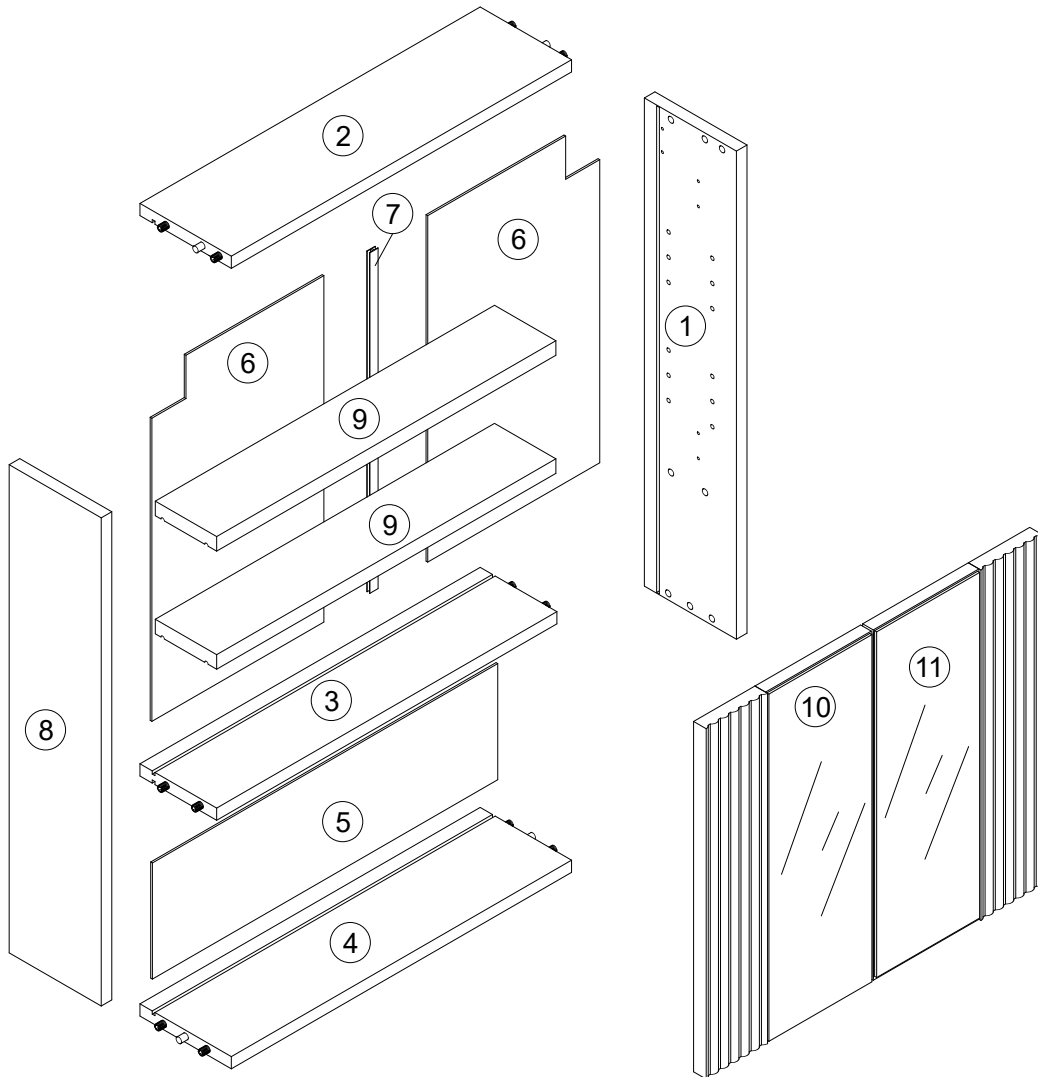
Do not use silicone based furniture polish. Silicone in furniture polishes can break down the finish.

Never allow any kind of liquid to remain on your furniture.  
Absorption can cause wood to warp or finishes to de-laminate.

# NEXT

## WHITE RIBBED MIRRORED CABINET T90939 Assembly instructions

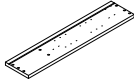
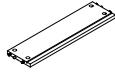
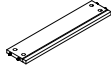
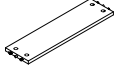
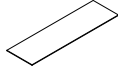
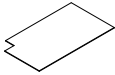
### GETTING TO KNOW YOUR PRODUCT


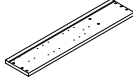
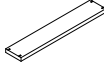
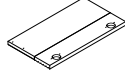
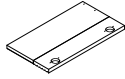


# NEXT

## WHITE RIBBED MIRRORED CABINET T90939 Assembly instructions

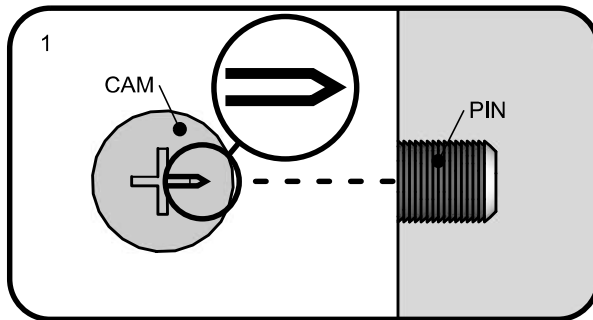
Components supplied. Please use this guide if you require replacement parts.

Ref	Dimensions	Visual	Qty	Ctn
1	13x62cm		1	1
2	13x50cm		1	1
3	10.5x50cm		1	1
4	13x50cm		1	1
5	14.5x50.5cm		1	1
6	25x44m		2	1

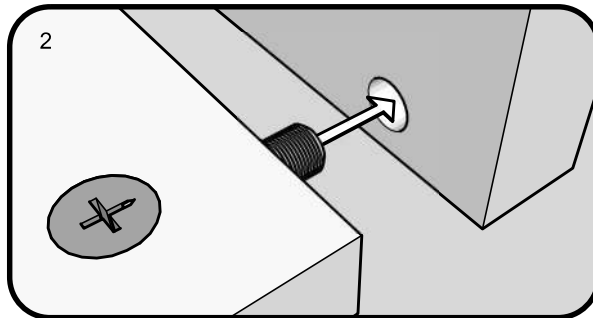
Ref	Dimensions	Visual	Qty	Ctn
7	1x43cm		1	1
8	13x62cm		1	1
9	9x50cm		2	1
10	24.5x44.5cm		1	1
11	24.5x44.5cm		1	1

# NEXT

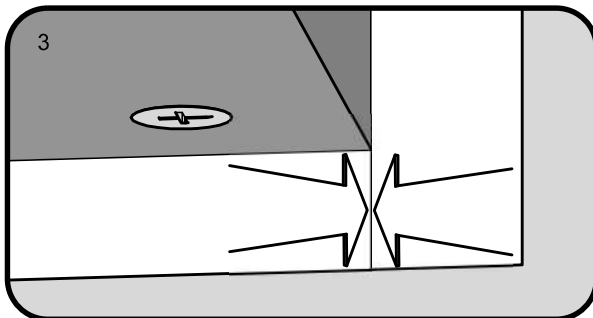
## TITUS TIGHTENING INSTRUCTIONS



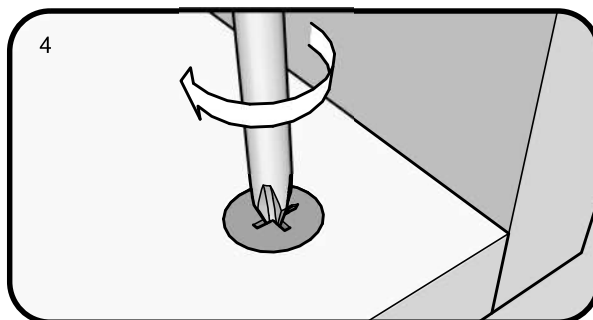
Line up the arrow on the CAM with the PIN.



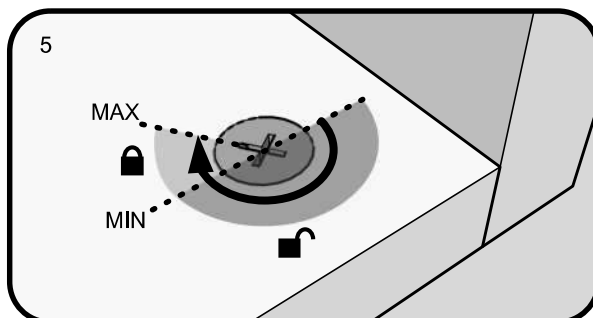
Push the pins into the holes in the panel to be joined.



Make sure there is no gap between the panels.



Use a cross-point screwdriver (PH2 or PZ2 is ideal) to tighten the cams and lock the panels together.



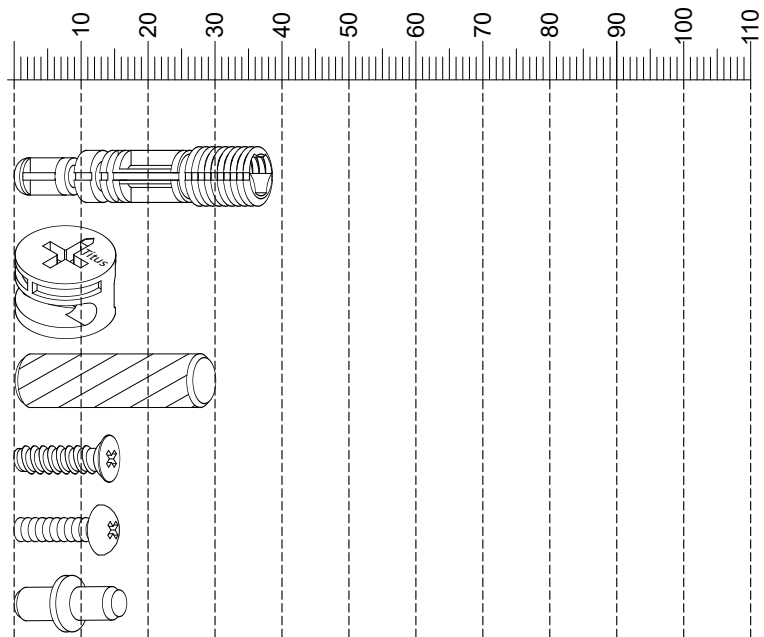
The panels are locked when each cam is turned to between 1/2 and 2/3 of a full turn (Maximum rotation)

# NEXT

## WHITE RIBBED MIRRORED CABINET T90939 Assembly instructions

### Fixtures and fittings supplied (actual size)

Ref	Dimensions	Qty	Spare Qty
B8	Ø8 x 38mm	12 pre assembled	2
B3	Ø15 x 12mm	12 pre assembled	2
D6	Ø8 x 30mm	4 pre assembled	1
U139	Ø4.5 x 15mm	16	2
S42	Ø4 x 14mm	4	1
P3	Ø5 x 16mm	8	1



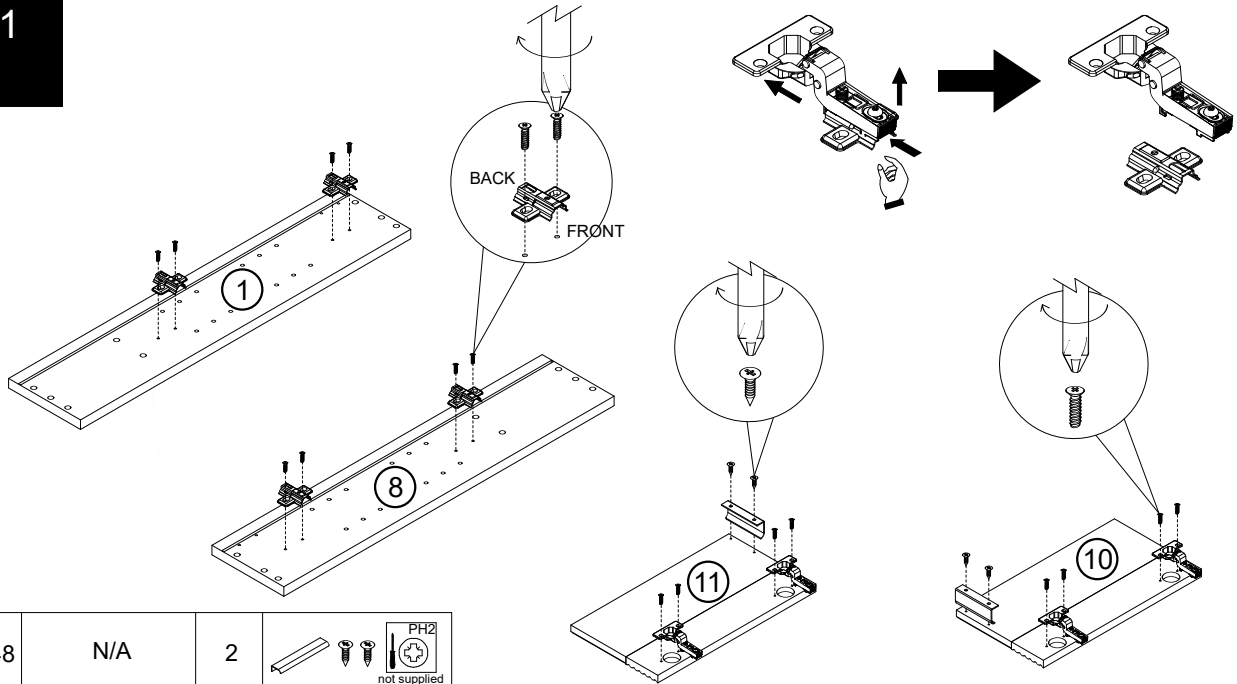
### Fixtures and fittings supplied ( not to scale)

Ref	Dimensions	Qty	Spare Qty	Visual
O1	Ø21mm	12	2	
T38	N/A	9	1	
H7	N/A	2	N/A	
N15	N/A	2	N/A	
C11	N/A	4	N/A	
E48	N/A	2	N/A	

# NEXT

## WHITE RIBBED MIRRORED CABINET T90939 Assembly instructions

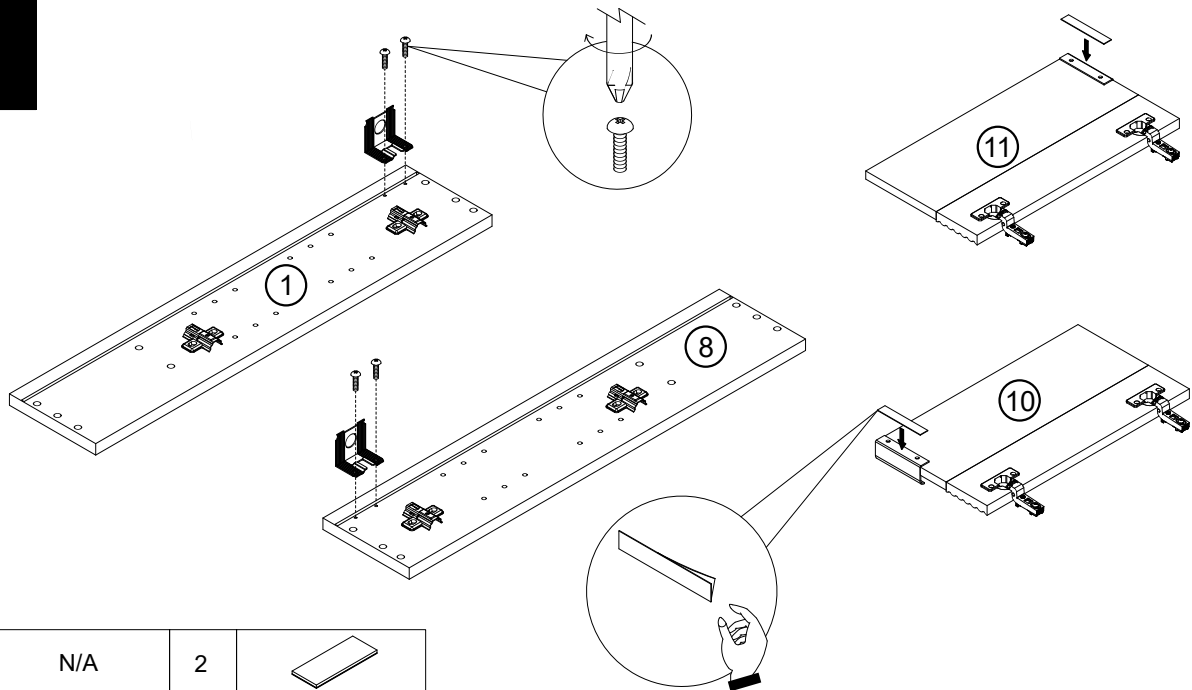
1



E48	N/A	2	PH2 not supplied
C11	N/A	4	
U139	Ø4.5 x 15mm	16	PH2 not supplied

To protect the mirror please place the door panel onto a carpet or a soft surface to avoid damaging the mirror.

2



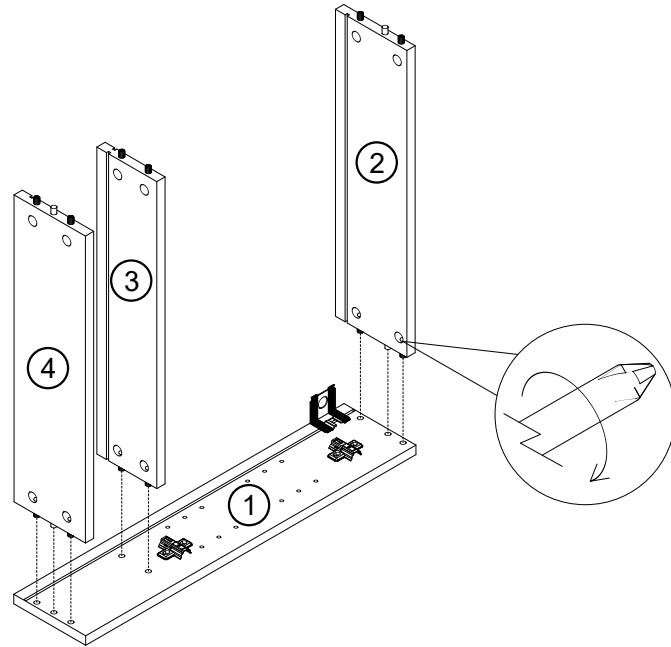
H7	N/A	2	
N15	N/A	2	
S42	Ø4 x 14mm	4	PH2 not supplied

To protect the mirror please place the door panel onto a carpet or a soft surface to avoid damaging the mirror.

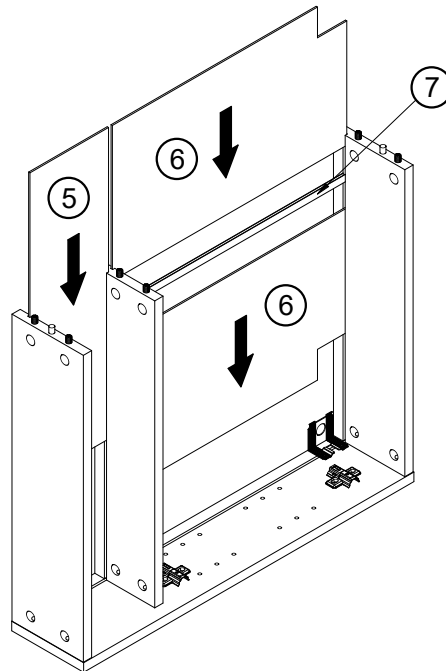
# NEXT

## WHITE RIBBED MIRRORED CABINET T90939 Assembly instructions

3



4

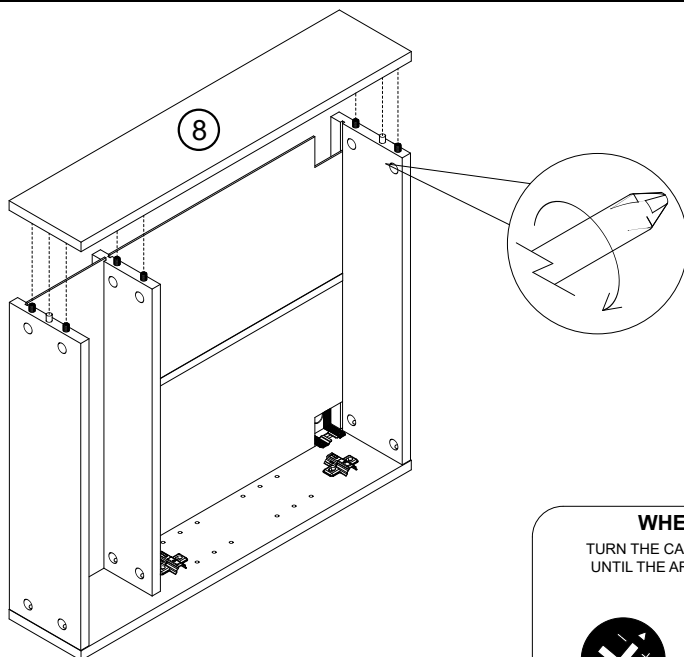




# NEXT

## WHITE RIBBED MIRRORED CABINET T90939 Assembly instructions

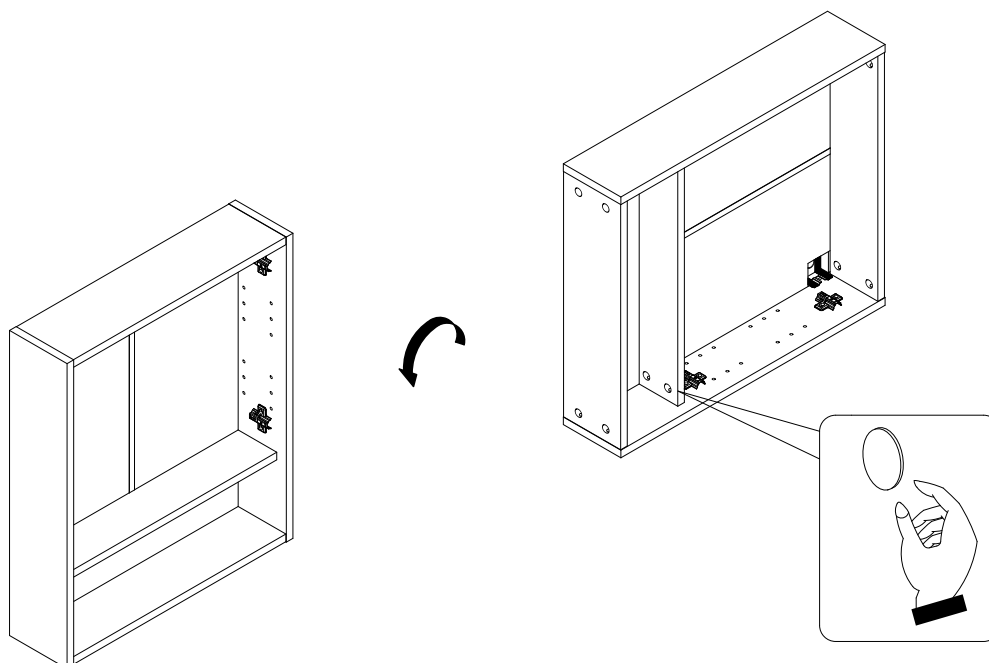
5



**WHEN LOOSENING THE CAM**  
TURN THE CAM IN A COUNTERCLOCKWISE DIRECTION  
UNTIL THE ARROW POINTS IN THE POSITION SHOWN  
IN THE DIAGRAMS BELOW

MAXIMUM LOCK      TURN TO UNLOCK      UNLOCKED

6



Please apply the stickers provided to cover the camlocks as shown on the diagram as an example.

O1

Ø21

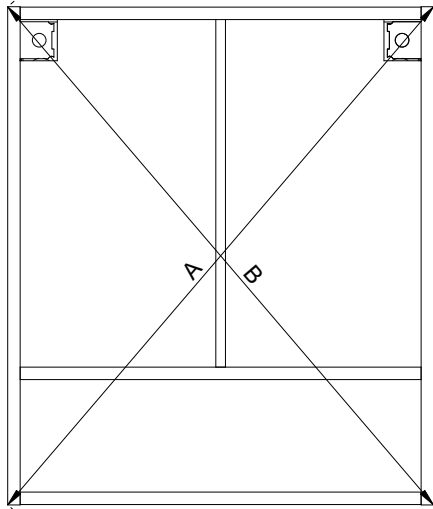
12



# NEXT

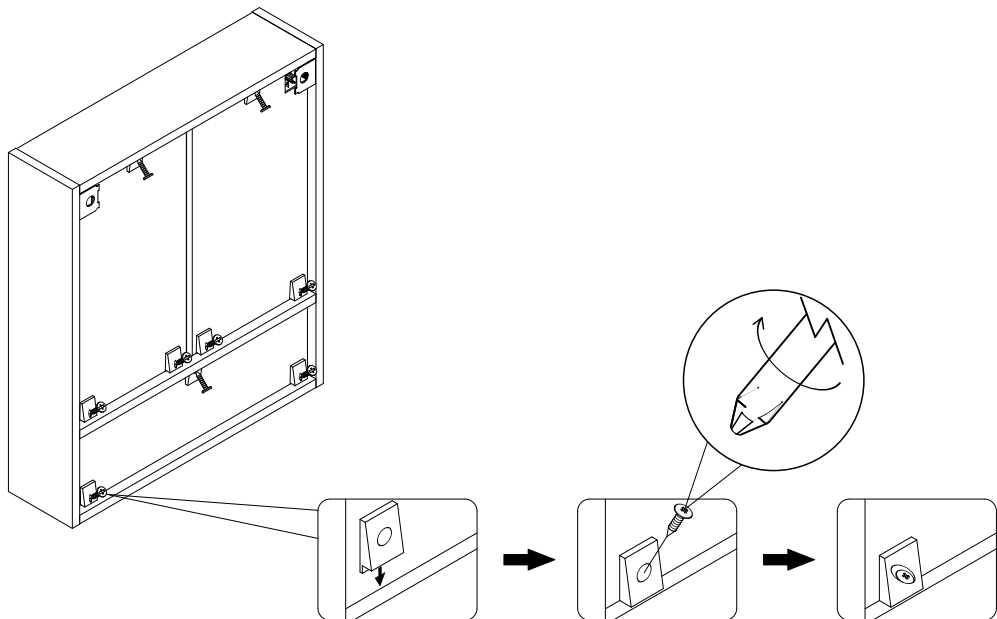
## WHITE RIBBED MIRRORED CABINET T90939 Assembly instructions

7



A=B

8



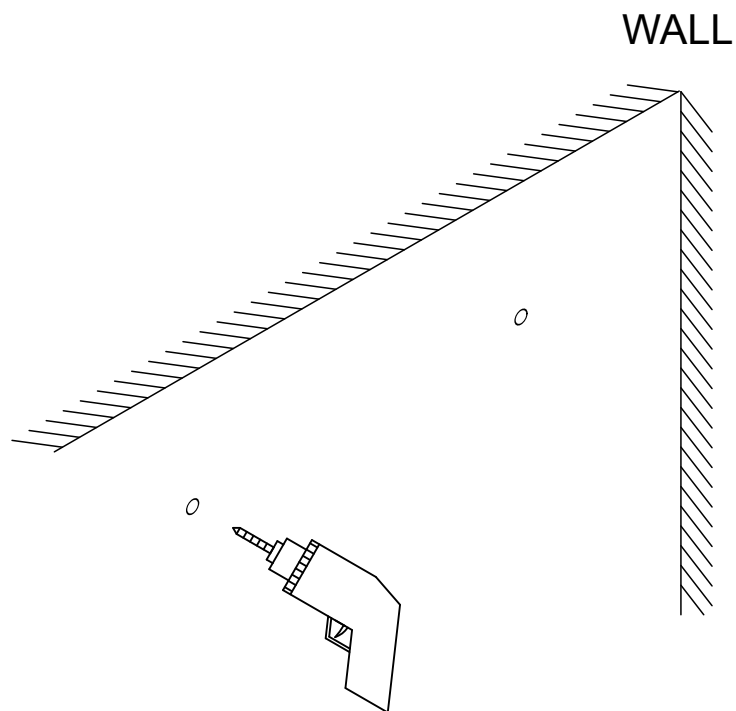
T38

N/A

9

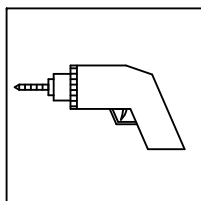


9



Drill two holes.

Warning: Always ensure wall area to be drilled is free from hidden electrical wires, water and gas pipes.



not supplied

# NEXT

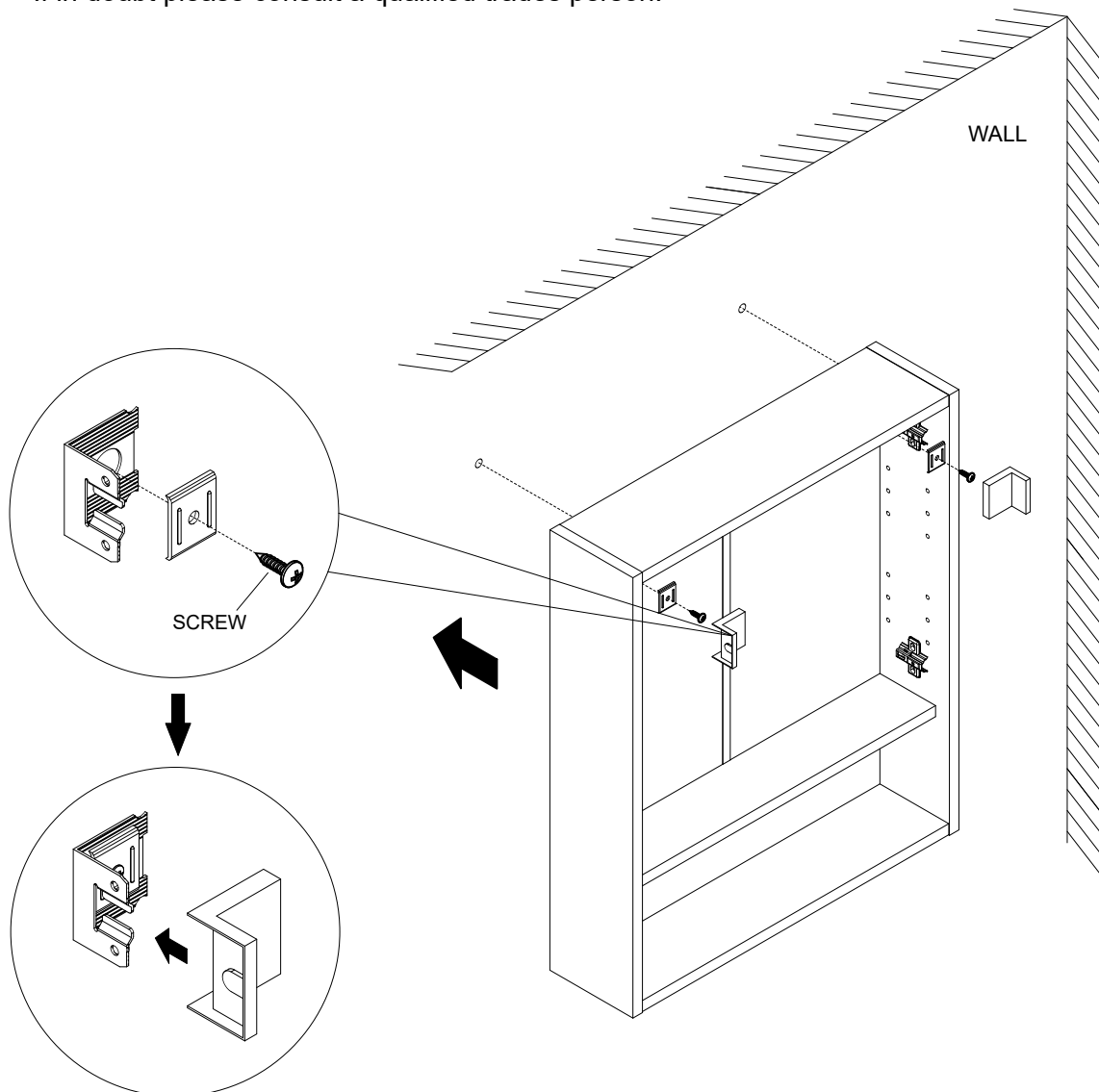
## WHITE RIBBED MIRRORED CABINET T90939 Assembly instructions

10

We recommend the use of the wall attachment bracket/strap provided for safety reasons. Move unit into desired position. Secure the 2 metal brackets to the wall with an appropriate screw and wall plug for your wall type (not provided).

Warning: Always ensure intended wall area to be drilled is free from hidden electrical wires, water and gas pipes.

NB: Wall fixings are not included-Please source suitable fixing for your wall type. If in doubt please consult a qualified trades person.

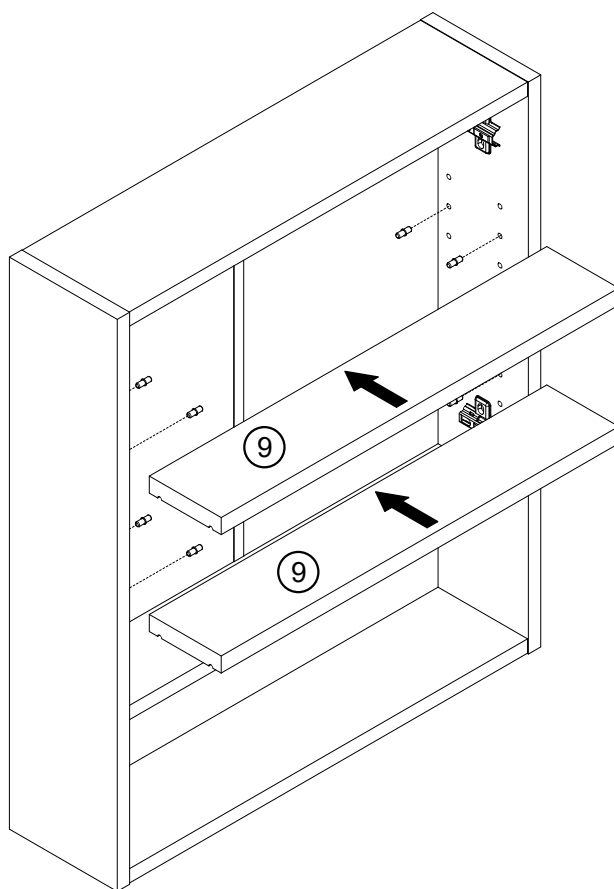


N15	N/A	2	
-----	-----	---	--

# NEXT

## WHITE RIBBED MIRRORED CABINET T90939 Assembly instructions

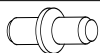
11



P3

Ø5 x 16mm

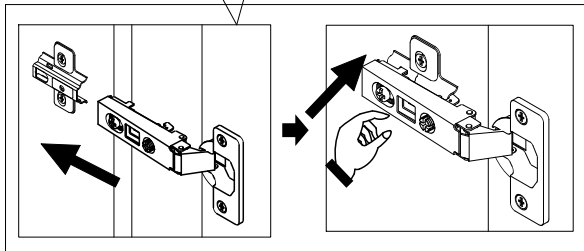
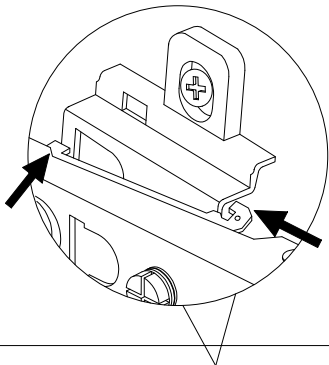
8



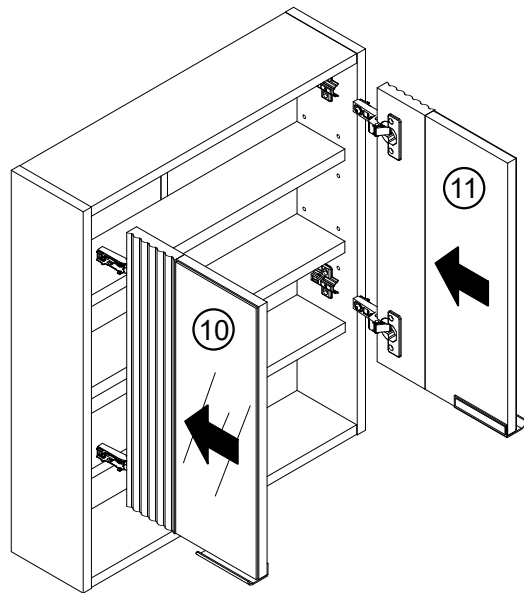
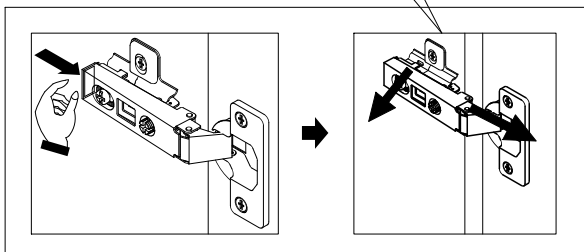
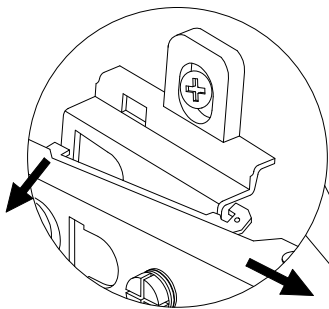
12

To align the door, please adjust the hinges as shown below.

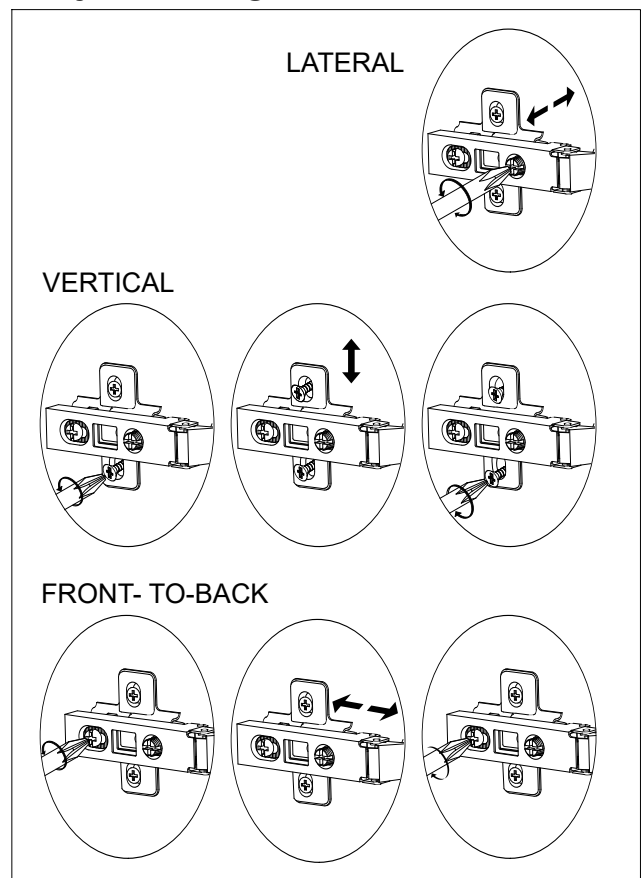
### Install hinge



### Remove hinge



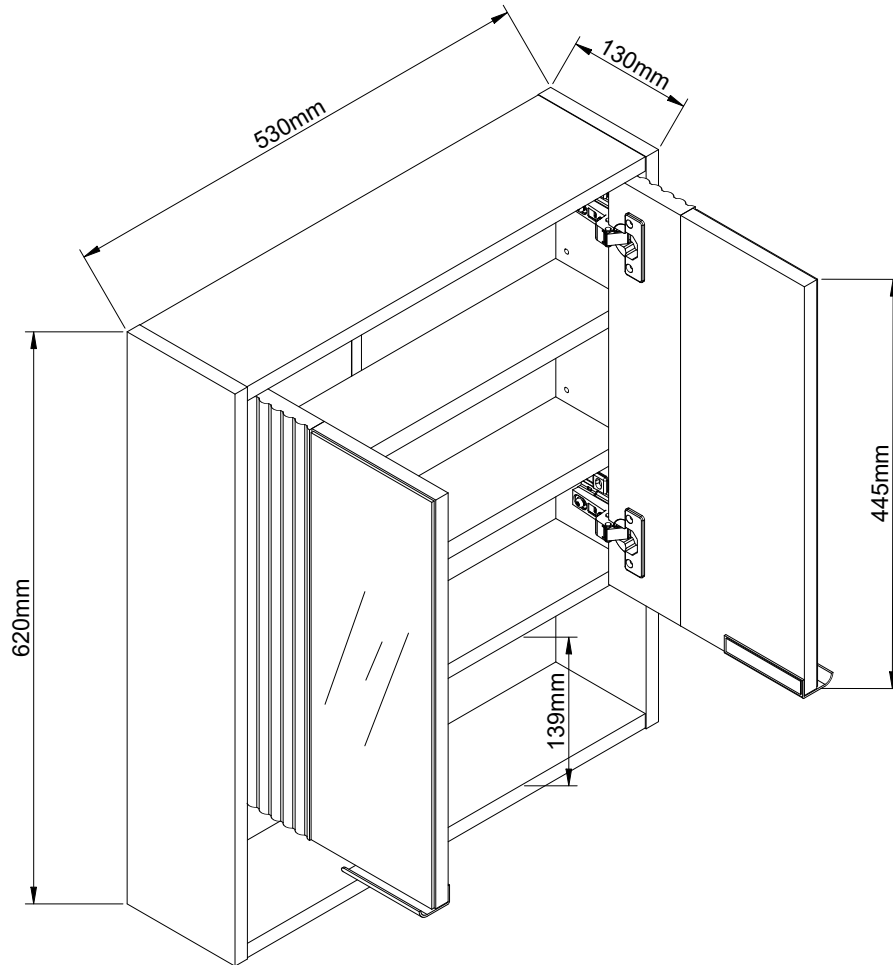
### Adjust Hinge Position



# NEXT

## WHITE RIBBED MIRRORED CABINET T90939

Actual product size  
H62 x W53 x D13 cm



# NEXT

## WHITE RIBBED MIRRORED CABINET T90939

### Warnings

We suggest you retain these instructions for future reference.

Keep fittings out of children's reach and keep children well away from construction area.

Please periodically check all fittings and re-tighten as necessary.

Please do not sit or stand on your furniture.

Avoid exposing the furniture to excessive heat or direct sunlight as this can cause deterioration of the colour.

Unwrap all packaging materials and place the components on top of the carton box or on a clean floor to protect it from damage

Name and Address: NEXT RETAIL LTD. LE19 4AT  
identification and model Number: T90939 WHITE RIBBED MIRRORED CABINET

Date of Manufacture:

Contract number:

Nominal thickness of Glass: 4mm, Annealed glass

Country of Origin: China

If a glass component is chipped or broken replace with glass of the type described on this label. Consult with the retailer with regard to obtaining a manufacturing specification and shape for replacement glass quoting the model number, batch number and date of manufacture.

### Missing parts

If you are missing any fixtures and fittings for your product. Please contact our customer service team on 0333 777 8999 and they will be happy to arrange for a replacement to be sent to you free of charge.

### Home service technicians

If you have a fault with your product, please contact our customer service team on 0333 777 8999. If you have had the product for 28 days or less you may be offered a replacement, refund or for a fully trained home service technician to visit your home to assess the fault and repair the product where possible. If you have had the product for more than 28 days we will send an independent home service technician to review and repair the product where possible and recommend further action.

### You can write to us at

Home Customer Services  
Next Retail Ltd.  
Desford Road,  
Leicester,  
LE19 4AT

To view our full furniture range please visit [www.next.co.uk](http://www.next.co.uk)