

BEFORE YOU GET STARTED...

We're confident you'll love your gorgeous new Next furniture. However, it's worth making absolutely certain before you put it all together.

So, let's quickly run through these three steps:

1. COLOUR

Make sure you're happy with the colour
No need to unpack everything, just check the first component.

2. PROTECTIVE PACKAGING

If you're happy, then it's time to get opening! Start by laying everything out on the protective packaging – this will prevent anything getting scratched.

3. PARTS PAGE

Finally, double check you have all the pieces by referencing the parts page of the instructions.

TIPS FOR RETURNS

Not completely happy with the product? No problem. We just need everything back in the original packaging, so follow the steps below and this will ensure a super-smooth returns process and no delay to your refund.

DO



- Check everything is there (the 'parts page' is a handy checklist).
- Pop all the loose fittings and fixtures into the packaging provided or tie them up in a plastic bag.
- Wrap all the big components back up in the original protective packaging.
- Close up the box and seal it securely (don't be afraid to use plenty of tape).

DON'T



- Leave anything assembled - all components should be dismantled and separately packed.
- Put loose fixtures and fittings straight into the box.
- Throw it back in the box carelessly – as it may get damaged.

NEXT

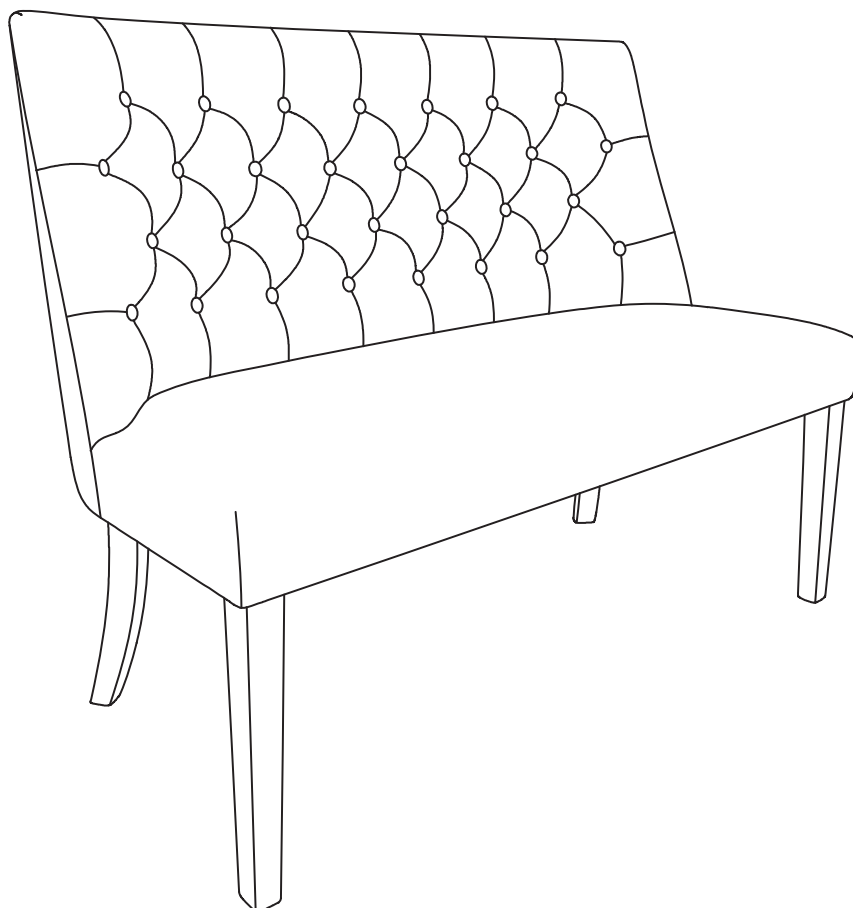
Then just give us a call on 0333 777 8999 and we'll sort out a pick up time for you.

NEXT WOLTON HIGH BACK BENCH

Assembly instructions

Actual product size

Chair: H94xW120xD64CM



Item number	Fabric name-Leg	Fabric composition
108973	Chunky Weave Grey - Natural Leg	100% polyester
451188	Distressed Velour Silver -Natural Leg	100% polyester
T99271	Chunky Weave Mid Natural - Oak Effect Leg	100% polyester
T94745	Chunky Weave Mid Grey - Oak Effect Leg	100% polyester

Need Help?

With: Assembly instructions
Missing or damaged parts

IMPORTANT-RETAIN FOR FUTURE REFERENCE

CALL: 0333 777 8999

NEXT WOLTON HIGH BACK BENCH

Assembly instructions

BEFORE YOU START

Warnings

We suggest you retain these instructions for future reference.
Keep fittings out of children's reach and keep children well away from construction area.
This product should only be used on firm level ground.
Please periodically check all fittings and re-tighten as necessary.
Please do not jump or stand on your furniture.
Avoid exposing the furniture to excessive heat or direct sunlight as this can cause damage to the materials and deterioration of the color.
Do not use this item if components are missing or broken
This product is not suitable for outdoor use.

Do's

We suggest you spend a short time reading through this leaflet before you start.
When you are ready to start, make sure that you have the right tools and plenty of space.
Unwrap all packaging materials and place the components on a clean surface to protect them from damage,
We recommend that the packaging is used to protect the surfaces during assembly
Carefully check that you have all the parts before beginning assembly.
Ensure the product is fully assembled as illustrated and all fixings fully tightened before use.
Check fixings regularly to ensure they remain tight
Always wipe dry after cleaning.
Keep away from strong heat sources.
Regularly check that the protective feet on the legs are fitted before use.
To clean your items, please lightly wipe with a slightly dampened cloth
For leather items dust regularly with a soft cloth, preferably once a week, to keep the leather pores free from dust particles
For velvet items use a soft brush lightly dress the fabric. Lightly wipe with a slightly dampened cloth to clean.
For velvet items avoid scratching the fabric as the pile may not recover and permanently mark it.

Don'ts

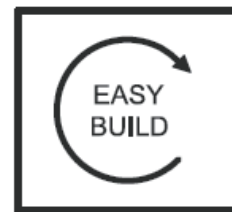
Do not drag your furniture.
Do not use silicone based furniture polish. Silicone in furniture polishes can break down the lacquer finish
Never allow any kind of liquid to remain on your furniture.
Absorption can cause materials to warp or finishes to de-laminate or stain.
Do not stand or lean back on your chairs.

Number of people required to assemble

We recommend one person assemble this product.



Time to assemble : 30 minutes



Missing parts

If you are missing any fixtures and fittings for your product please contact our customer service team on 0333 777 8999 and they will be happy to arrange for a replacement to be sent to you free of charge.

Home service technicians

If you have a fault with your product please contact our customer service team on 0333 777 8999. If you have had the product for 28 days or less you may be offered a replacement, refund or for a fully trained home service technician to visit your home to assess the fault and repair the product where possible. If you have had the product for more than 28 days we will send an independent home service technician to review and repair the product where possible and recommend further action.

You can write to us at

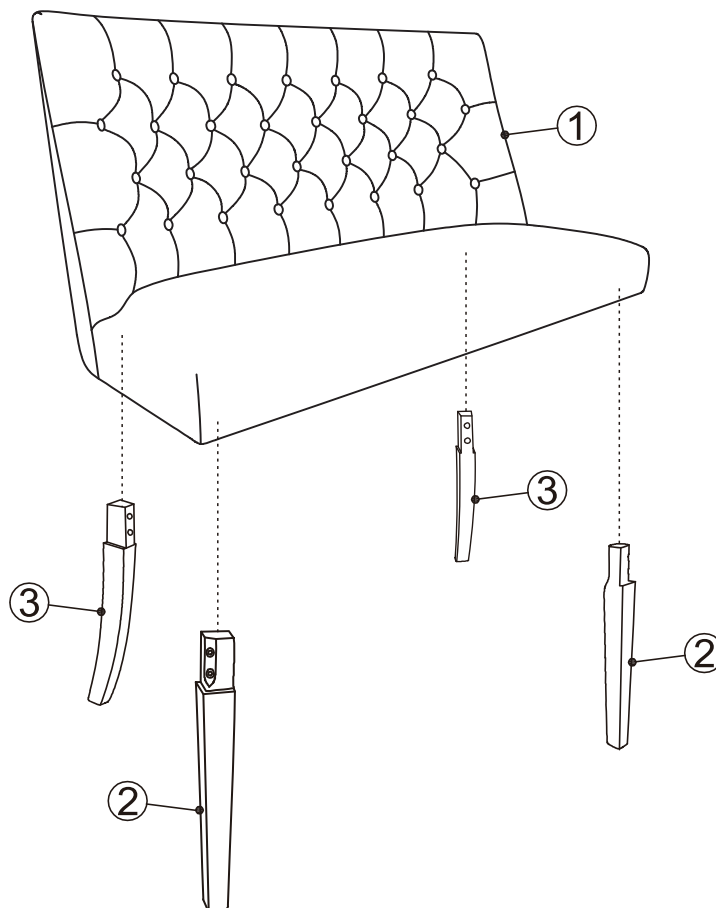
Home Customer Services
Next Retail Ltd,
Desford Road,
Leicester,
LE19 4 AT

To view our full furniture range please visit www.next.co.uk

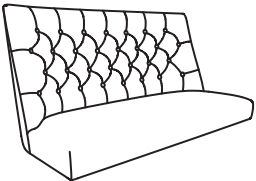


NEXT WOLTON HIGH BACK BENCH

Assembly instructions

GETTING TO KNOW YOUR PRODUCT



Components supplied. Please use this guide if you require replacement parts.

Ref	Dimension	Visual	Qty
1	Seat: H59xW120xD62.5 CM		1
2	Front Legs: 43x4.3x3 CM		2
3	Back Legs: 42x4.7/3.3x3/3.3 CM		2

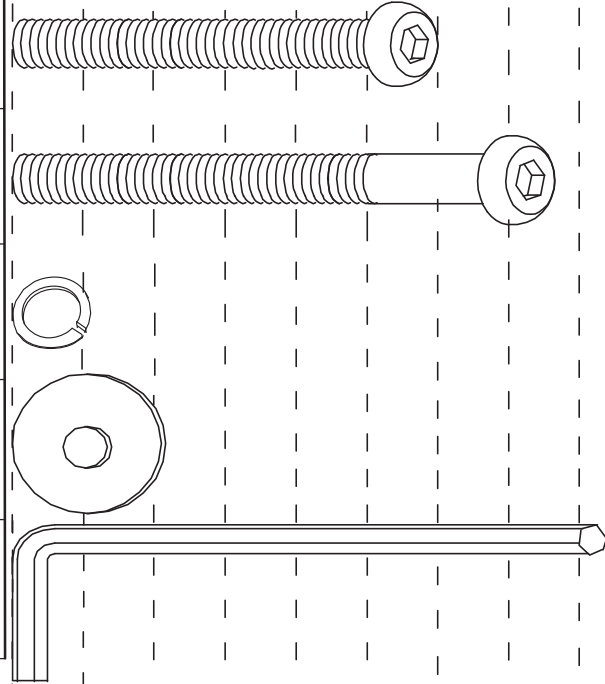
NEXT WOLTON HIGH BACK BENCH

Assembly instructions

Fixtures and fittings
supplied (actual size)

Ref	Dimension	Qty	Spare
A	M8 x 55mm	4	1
B	M8 x 70mm	4	1
C	12mm	8	1
D	22mm	8	1
E	8 x 85mm	1	0

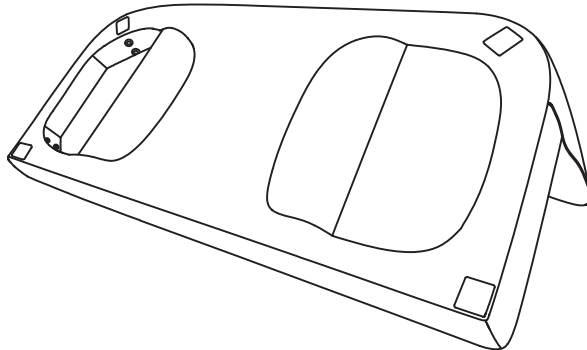
mm 10 20 30 40 50 60 70 80 90 100 110 120 130



NEXT WOLTON HIGH BACK BENCH

Assembly instructions





1

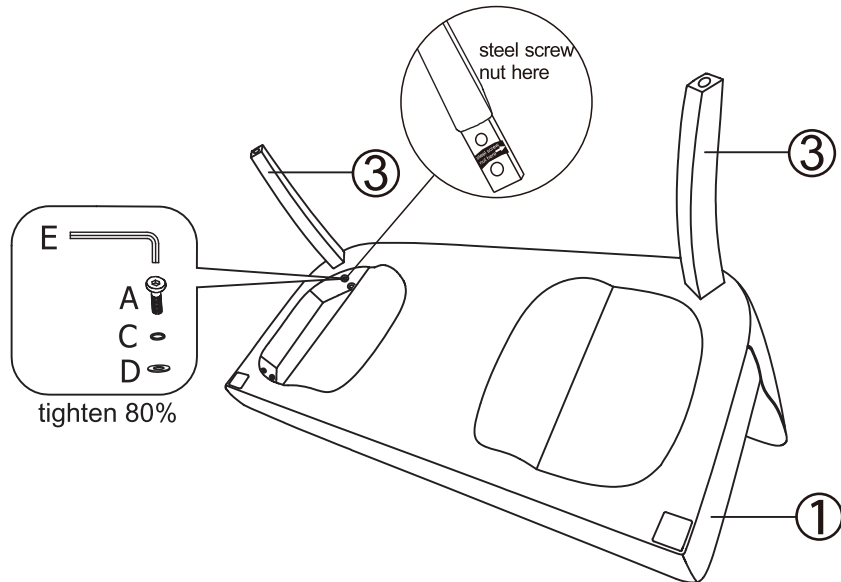


WARNING!

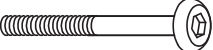


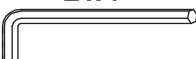
Open the bottom of the chair and take the legs out.

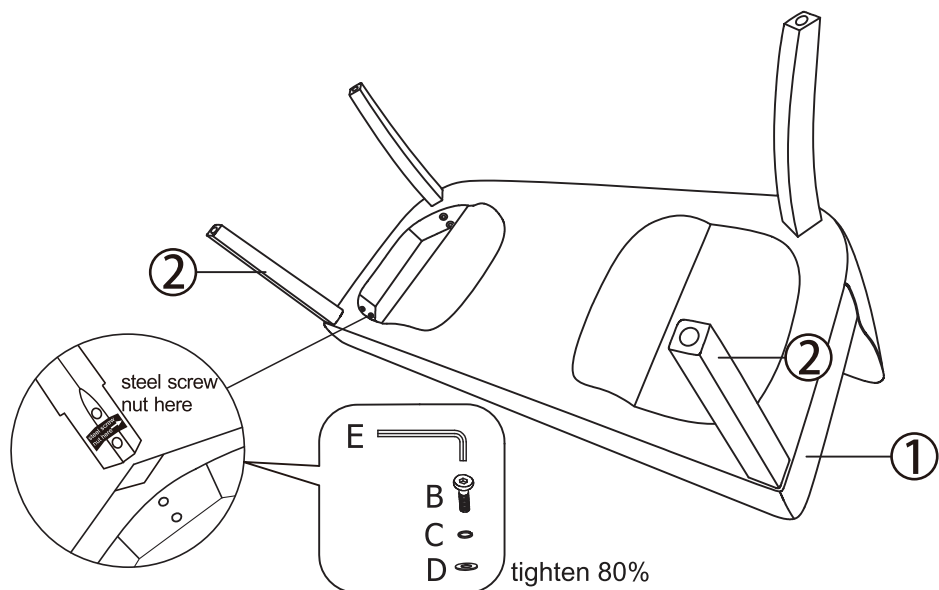
2

A x 4	M8x55mm
	
C x 4	12mm
	
D x 4	22mm
	
E x 1	8x85mm
	



3

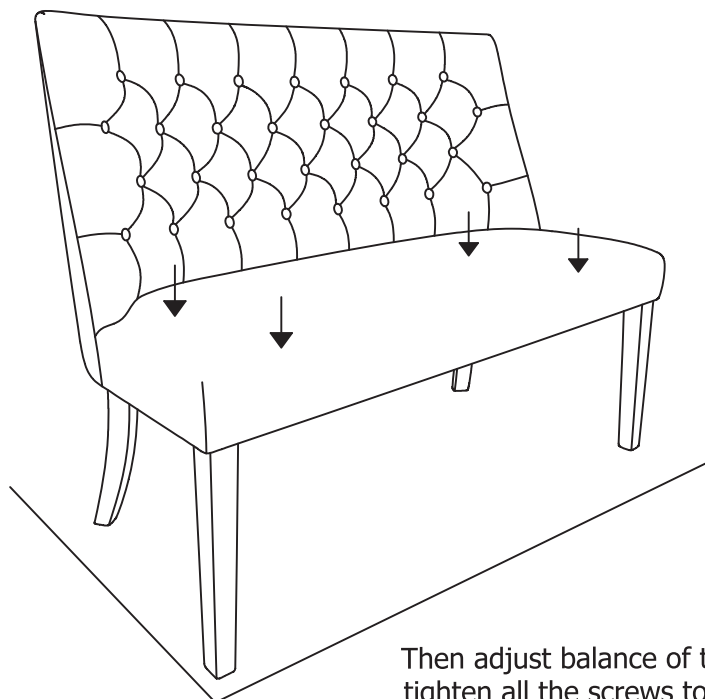
B x 4	M8x70mm
	
C x 4	12mm
	
D x 4	22mm
	
E x 1	8x85mm
	



NEXT WOLTON HIGH BACK BENCH

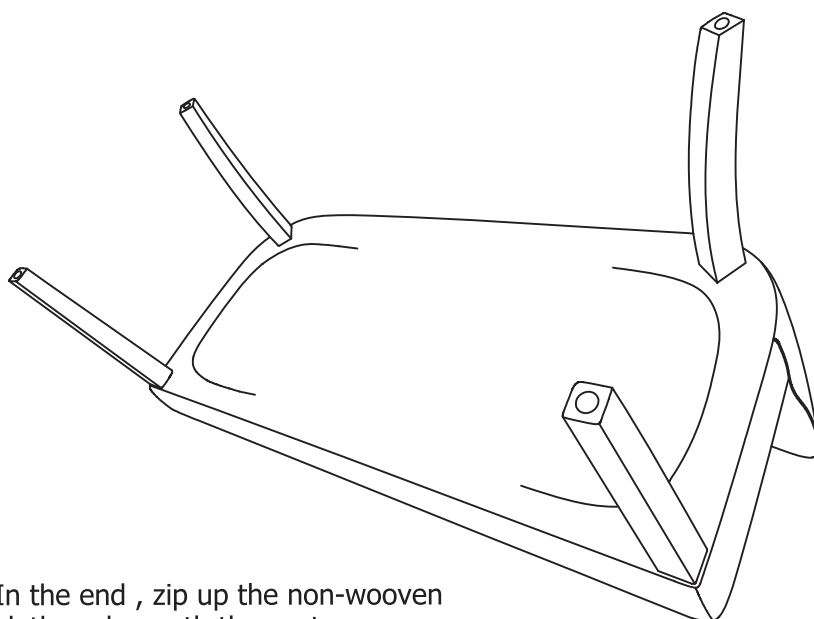
Assembly instructions

4



Then adjust balance of this chair
tighten all the screws to 100%.

5



In the end , zip up the non-wooven
cloth underneath the seat.

NEXT WOLTON HIGH BACK BENCH

Assembly instructions

Actual product size

Chair: H94xW120xD64CM

CAUTION: Maximum weight capacity of this bench is 260kg.

