

NEXT

Thank you for shopping with us

NEXT

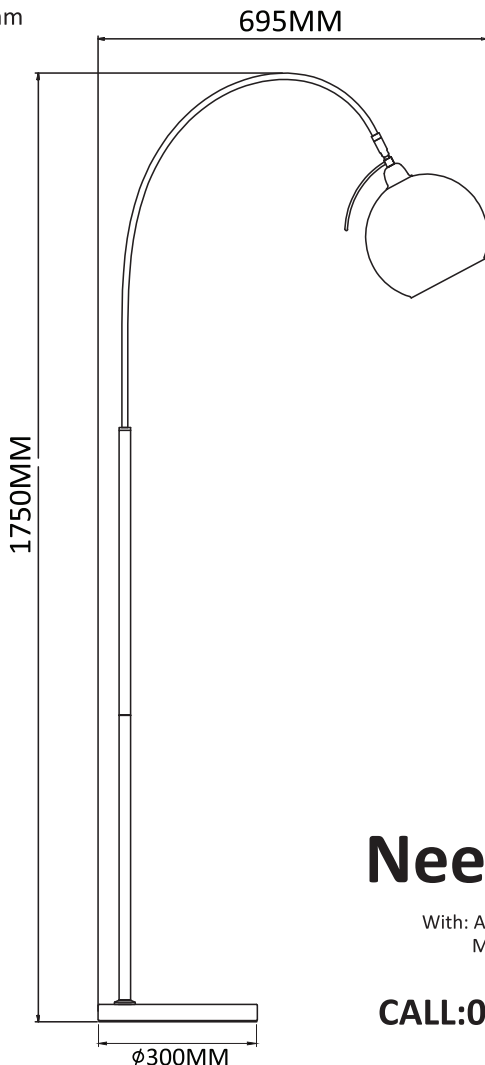
ROSEVILLE BLACK FLOOR LAMP

T98642

Assembly Instruction

Actual Product Size

W695*D300*H1750mm



Need Help?

With: Assembly instruction
Missing or damaged parts

CALL:0333 777 8999

IMPORTANT - RETAIN FOR FUTURE REFERENCE

BEFORE YOU START

Warnings

We suggest you retain these instructions for future reference

This light is suitable for indoor use only

Do's

We suggest you spend a short time reading through this leaflet before you start

When you are ready to start, make sure that you have the right tools and plenty of space

Unwrap all packaging materials and place the components on top of the carton box or on a clean floor to protect it from damage

We recommend that the packaging is used to protect the surfaces during assembly

Carefully check that you have all the parts before beginning assembly

Ensure the product is fully assembled as illustrated and all fixings fully tightened before use. Check fixings regularly to ensure they remain tight

Always switch off the supply before changing light bulbs or cleaning

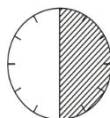
Allow bulbs to cool down before handling

Don'ts

Do not position this product in an area, subject to humid or moist conditions.

Do not allow moisture to come into contact with electric parts.

Time to assemble



20mins

Tools required

Scissor for unpacking

Missing parts

If you are missing any fixtures and fittings for your product please contact our customer service team on 0333 777 8999.

Cleaning Care

We recommend cleaning with a soft dry cloth. Do not use abrasive materials as these will rub away the protective coating.

Maintenance

To ensure your safety, if the cable becomes damaged it must be replaced by only a qualified person.

Safety information

For your safety, please remember the following:

- Always switch off the power supply before changing lightbulbs or cleaning
- Allow bulbs to cool down before handling.

You can write to us at

Home Customer Services
Next Retail Ltd,
Desford Road,
Leicester,
LE19 4AT
or
Next Retail (Ireland) Ltd,
13-18 City Quay,
Dublin 2,
D02 ED70

To view our full range please visit
www.next.co.uk

ROSEVILLE BLACK FLOOR LAMP

T98642

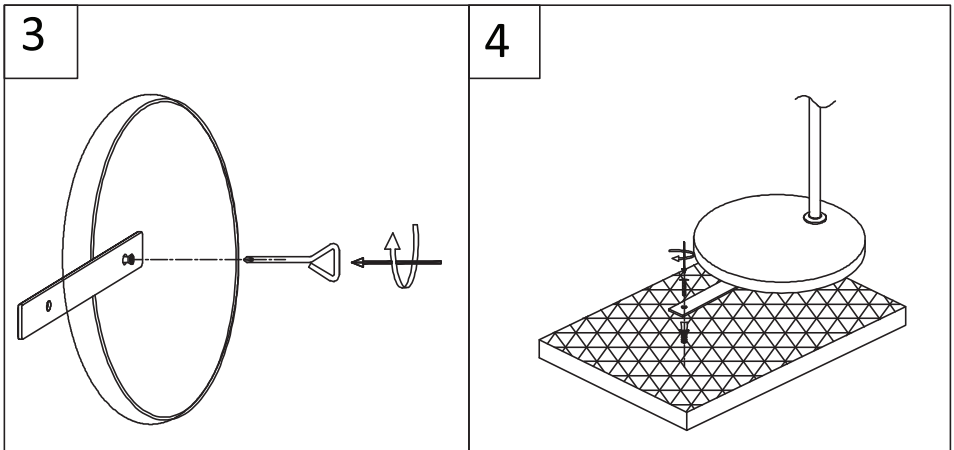
Assembly Instruction

NEXT

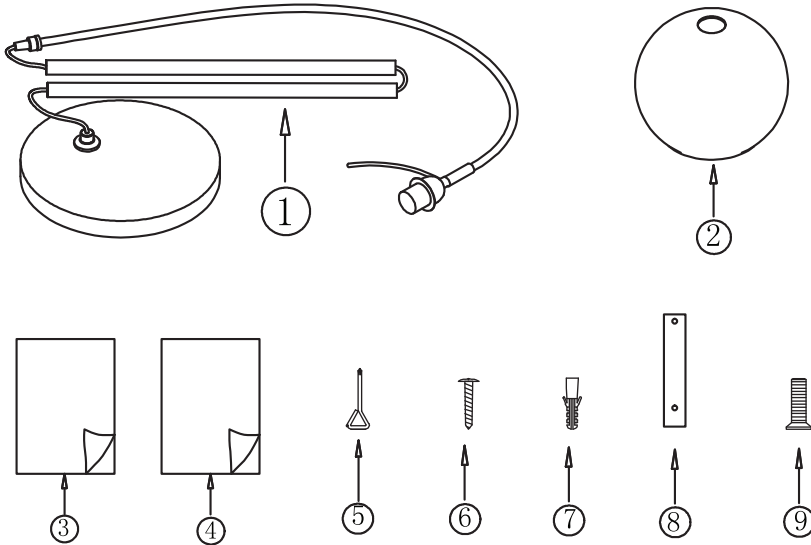
PLEASE NOTE: ENSURE THAT THE AREA DRILLED MUST NOT BE IN CONTACT WITH ANY ELECTRICAL WIRING, WATER OR GAS PIPES. DRILLING WILL LEAVE A PERMANENT MARK ON THE FLOOR.

3) Attach the enclose bracket to the bottom of the base in the prethreaded hole using the screw (part no.9) provide.(See Figure 3)

4) Taking care not to damage any wiring or piping under the floor, drill the floor to the height of the rawl plug. Screw the bracket to the floor using the fixing screw (part no.6) supplied in the accessory pack. Ensure the floor lamp is secured in place. (See Figure 4)



GETTING TO KNOW YOUR PRODUCT



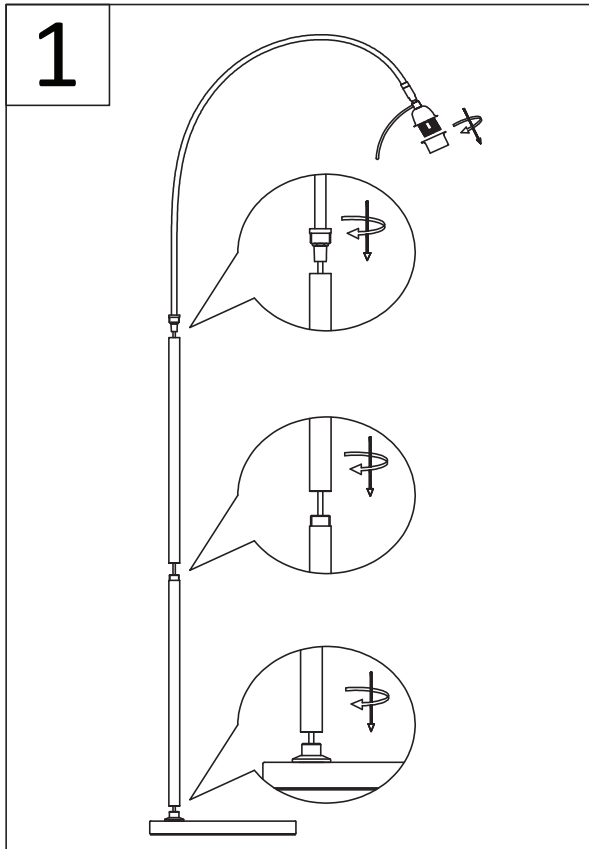
Ref	Description	Specification	Qty	Remark
1	Lamp body		1	Packed in carton
2	Glass shade	Φ230*H200mm	1	Packed in carton
3	Re-package instruction	A4 X 1	1	Packed in fixing pack
4	Assembly instruction	A4 X 2	1	Packed in fixing pack
5	Screw driver		1	Packed in fixing pack
6	Fixing screw	L38mm	1	Packed in fixing pack
7	Rawl plug	L38mm	1	Packed in fixing pack
8	Bracket	L220*W25mm	1	Packed in fixing pack
9	Screw	M5*L15mm	1	Packed in fixing pack

Assembly Instructions

Unpack the contents of the carton. Lay the contents out on a flat surface giving yourself room to work.

Step 1

Screw all the stems together and then screw the stem into base, check that they are securely tightened. Pull any surplus cable through the base of the stem. Remove the shade ring from the lamp holder. (See Figure 1)



Selecting the correct light bulb

Maximum Wattage - 10 Watts

Voltage - 220 - 240Volts

Light bulb type - 10W E27 LED bulb

Do not exceed the maximum wattage as it may cause your light fitting to overheat. Use a soft cloth to handle bulb.

Step 2

Fit the glass shade onto lamp holder and secure into position with the shade ring. Ensure the shade is securely fixed. Fit the bulb. (See Figure 2)

