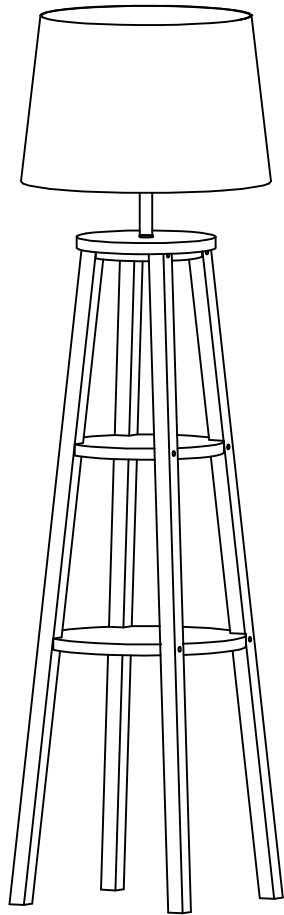


NEXT

MALVERN SHELVED FLOOR LAMP
117786-U32986
Assembly instructions

Actual product size

H161 x D45 cm



Need Help?

with: Assembly instructions
Missing or damaged parts

CALL: 0333 777 8999

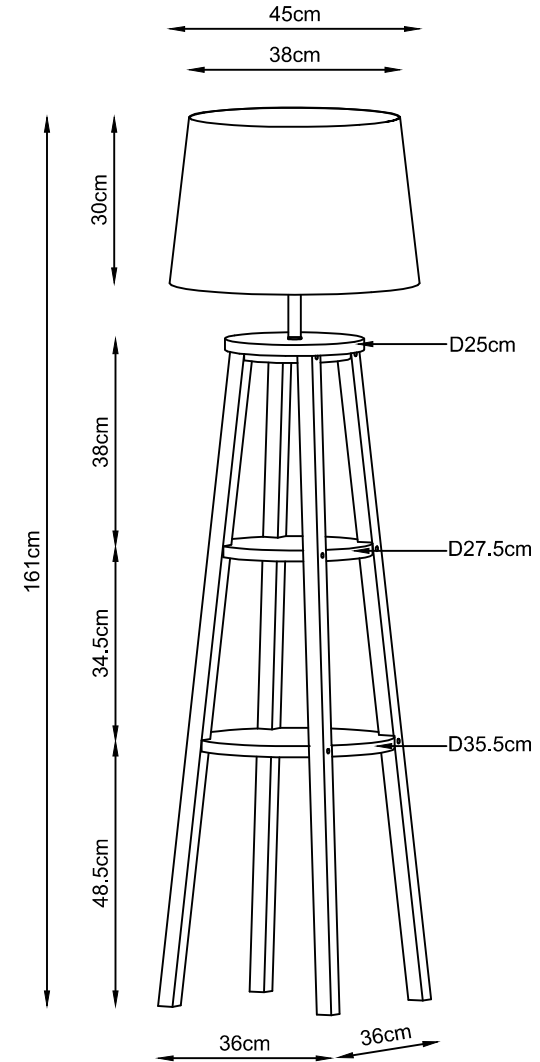
IMPORTANT-RETAIN FOR FUTURE REFERENCE

NEXT

MALVERN SHELVED FLOOR LAMP
117786-U32986
Assembly instructions

Actual product size

H161 x D45 cm



NEXT

MALVERN SHELVED FLOOR LAMP

117786-U32986

Assembly instructions

BEFORE YOU START

Warnings

We suggest you retain these instructions for future reference. For your safety, this product must be installed in accordance with local Building Regulations. If in any doubt, or required by the law, consult a competent person who is registered with an electrician self-certification scheme. Further information is available online or from your Local Authority.

This light is suitable for indoor use only.

We suggest you retain these instructions for future reference.

Light fittings should be connected to a 5 amp fused circuit.

This light when used with the supplied light bulb may be dimmed using a standard dimmer switch. Before commencing installation, isolate the circuit to be used by removing the fuse or circuit breaker at the consumer distribution unit.

Do's

We suggest you spend a short time reading through this leaflet before you start.

When you are ready to start, make sure that you have the right tools and plenty of space.

Unwrap all packaging materials and place the components on top of the carton box or on a clean floor to protect it from damage.

We recommend that the packaging is used to protect the surfaces during assembly. Carefully check that you have all the parts before beginning assembly.

Ensure the product is fully assembled as illustrated and all fixings fully tightened before use. Check fixings regularly to ensure they remain tight.

Always switch off the supply before changing light bulbs or cleaning.

Allow bulbs to cool down before handling.

Don'ts

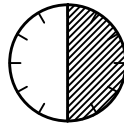
The fitting should not be fixed to newly painted or plastered surfaces as this may cause discolouration of the finish.

We recommend cleaning with a soft dry cloth, do not use abrasive materials as these will rub away the protective coating.

Number of people required to assemble

One person who is competent with electrical wiring and installation, however we do recommend that this item is installed by a qualified electrician.

Time to assemble



30mins

Tools required

Cross Head Screwdriver
Flat Screwdriver
Insulating Tape

Missing parts

If you are missing any fixtures and fittings for your product please contact our customer service team on 0333 777 8999 and they will be happy to help.

Cleaning Care

We recommend cleaning with a soft dry cloth. Do not use abrasive materials as these will rub away the protective coating.

Maintenance

To ensure your safety, if the cable becomes damaged it must be replaced by only a qualified person.

Safety information

For your safety, please remember the following:

- Always switch off the power supply before changing lightbulbs or cleaning
- Allow bulbs to cool down before handling.

You can write to us at

Home Customer Services
Next Retail Ltd.
Desford Road, Leicester, LE19 4AT

Next Retail (Ireland) Ltd.
13-18 City Quay, Dublin 2, D02 ED70

To view our full range please visit
www.next.co.uk

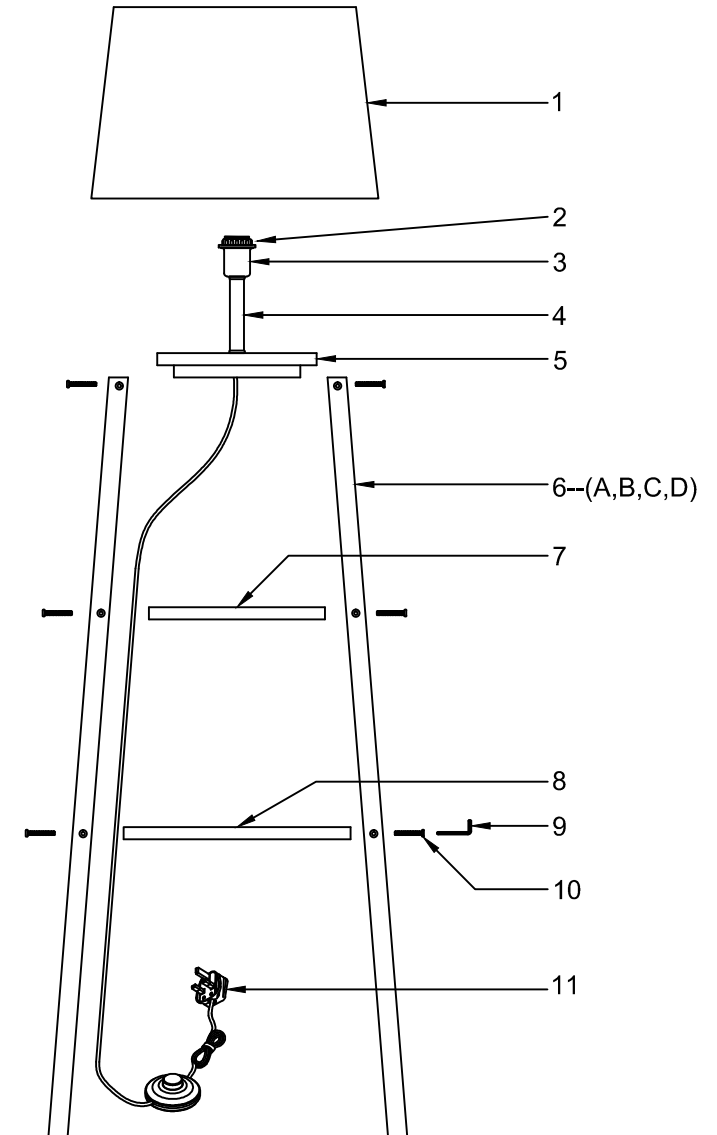
NEXT

MALVERN SHELVED FLOOR LAMP

117786-U32986

Assembly instructions

GETTING TO KNOW YOUR PRODUCT



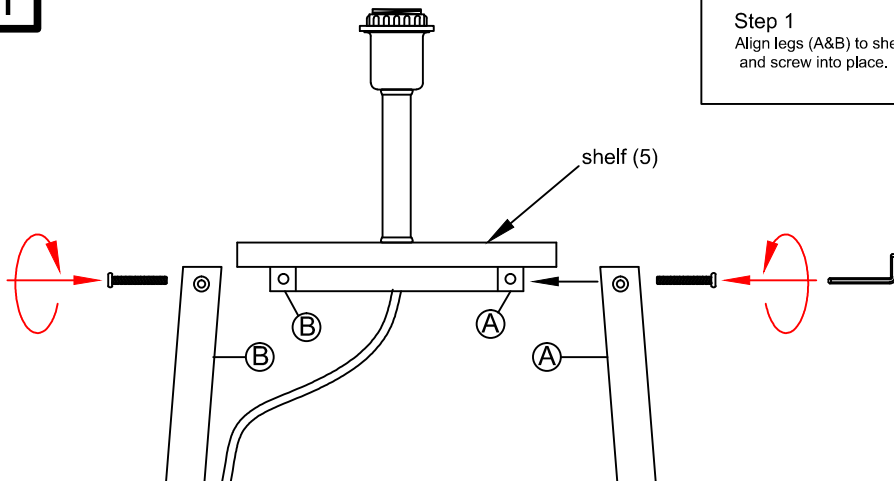
NEXT

MALVERN SHELVED FLOOR LAMP
117786-U32986
Assembly instructions

GETTING TO KNOW YOUR PRODUCT

Ref	Description	Specification	Qty	Remark
1	Fabric Shade	D45*H30cm	1	
2	Lampholder	E27	1	
3	Lampholder Cup	D5.1*H4.6 cm	1	
4	Metal Stem	D2.2*H12 cm	1	
5	Shelf	D25*H3.8 cm	1	
6	Wooden Legs	W3*D3*L120 cm	4	A*1 , B*1 , C*1 , D*1
7	Shelf	D27.5*H2 cm	1	
8	Shelf	D35.5*H2 cm	1	
9	Inner Hexagon Spanner	D4*L6 cm	1	
10	Screw	D0.6*L4 cm	12	
11	Cable	L350 cm	1	

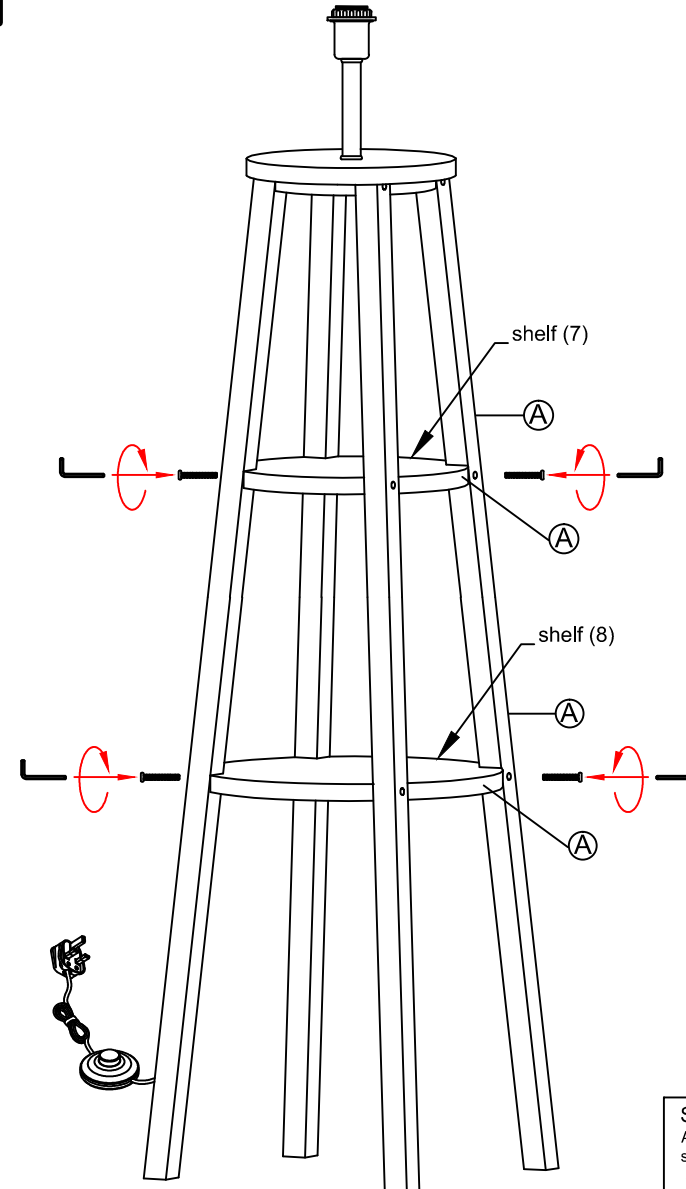
1



NEXT

MALVERN SHELVED FLOOR LAMP
117786-U32986
Assembly instructions

2

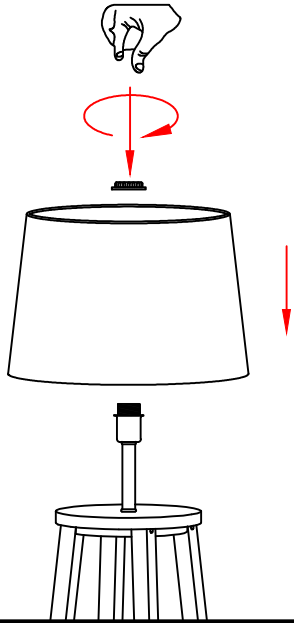


Step 2
Add shelves (7&8) and
screw into place on legs (A&B)
and then attach legs (C&D).

NEXT

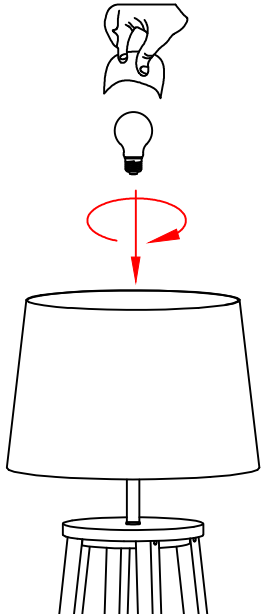
MALVERN SHELVED FLOOR LAMP
117786-U32986
Assembly instructions

3



Step 3
Remove the shade ring from the lamp holder,
then fit the shade onto lamp holder and secure
into position with the shade ring.

4



Bulb: Max 10W E27

Step 4
Screw bulb into lampholder. (Bulb not included)

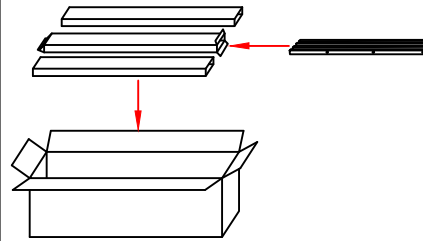
NEXT

MALVERN SHELVED FLOOR LAMP

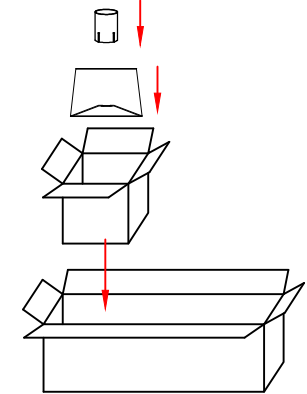
Instructions for repackaging

Thank you for purchasing this Next lighting product. We hope you will be delighted with your purchase, but in the event that you wish to return the product, please follow the repackaging instructions below.

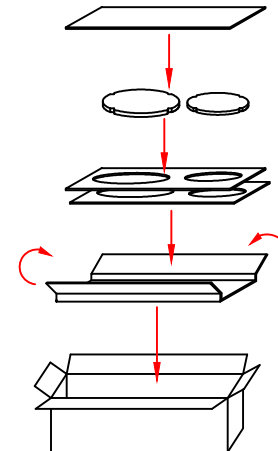
1



3



2



3

