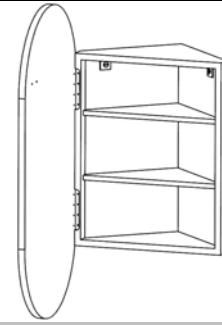


U46138 OVAL CORNER CABINET

NEXT

Tools Needed



Helpline

If you have any problems with this product please contact customer services Tel: 0333 777 8000

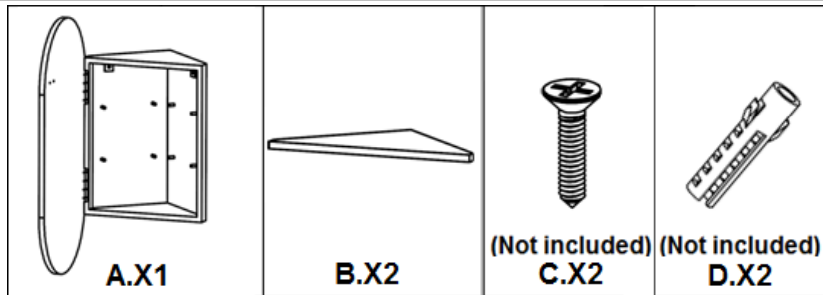
Important

- Suggest you spend a short time reading through this leaflet and then follow the simple step by step instructions.
- Carefully check that you have all parts before beginning assembly.
- Keep fittings out of children's reach and keep children away from construction.
- We suggest you retain these instructions for future reference.
- Please do not use abrasive cleaners on this product.
- We suggest you make periodic checks to ensure that all screws are fully tightened.
- Wall plugs and wall fixings are not included.
- Made in China

Care instructions

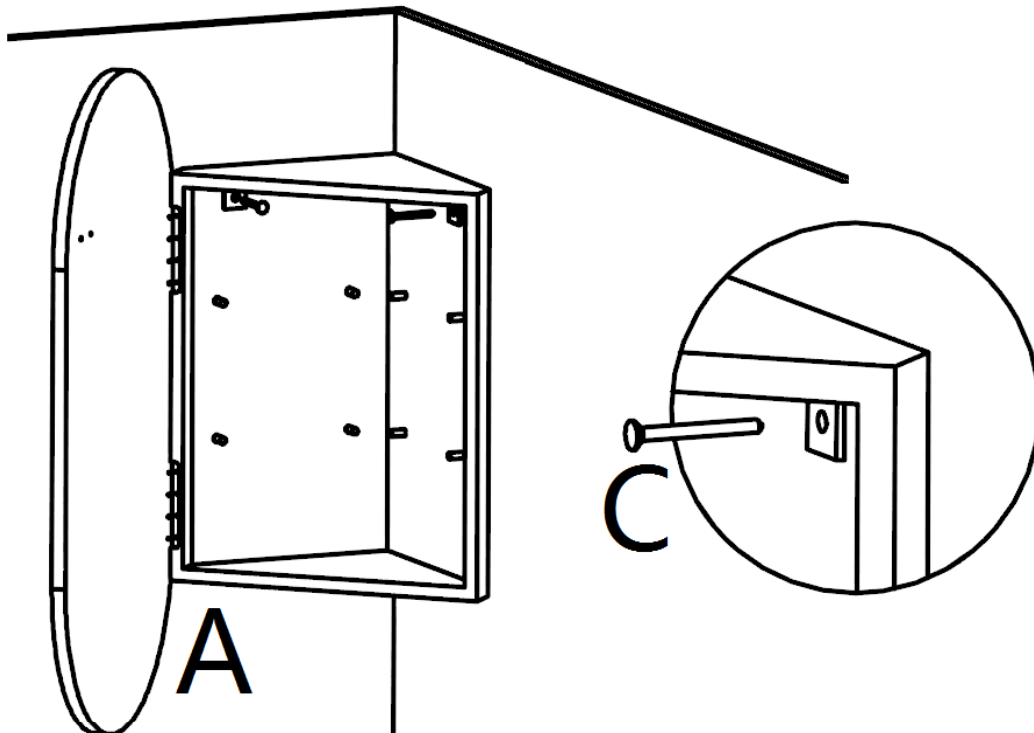
- Do not use abrasive cleaners or cleaners containing bleach.
- To prevent corrosion ensure the product does not come into prolonged contact with water. Wipe away excess moisture.

Fittings



Assembly Instructions

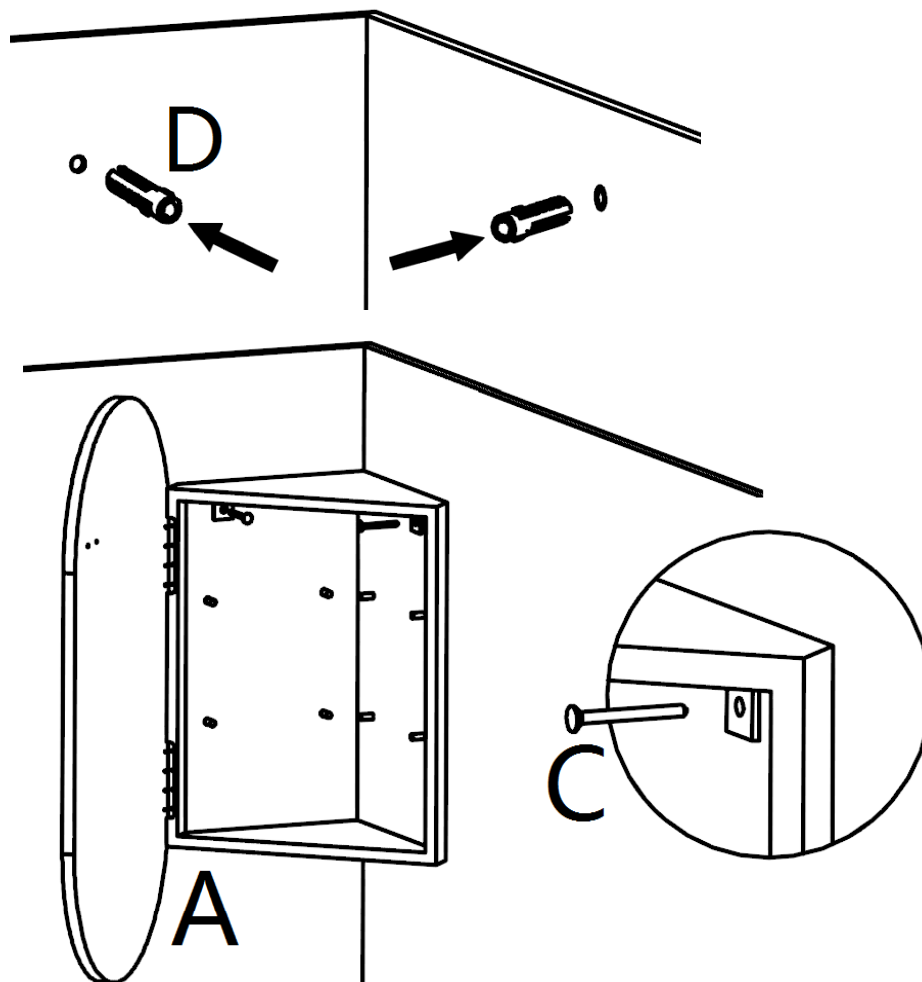
Step 1. Place the cabinet (A) where you need, insert the wall fixings (C) into the hole of the cabinet and mark the holes on the wall. (C) and (D) are not included.



Please refer to next page

NEXT Retail Ltd, Desford Road, Enderby, Leicester, LE19 4AT.
NEXT Retail (Ireland) Ltd, 13-18 City Quay, Dublin 2, D02 ED70.

Step 2. Insert the wall plugs (D) into the holes. Hang and secure cabinet (A) and wall fixings (C) to wall plugs (D) by tighten wall fixings (C) with a screwdriver.



Step 3. Put the shelves (B) on and check to ensure that all screws are securely fixed..

