

# BEFORE YOU GET STARTED...

*We're confident you'll love your gorgeous new Next furniture. However, it's worth making absolutely certain before you put it all together.*

*So, let's quickly run through these three steps:*

## 1. COLOUR

Make sure you're happy with the colour  
No need to unpack everything, just check the first component.

## 2. PROTECTIVE PACKAGING

If you're happy, then it's time to get opening! Start by laying everything out on the protective packaging – this will prevent anything getting scratched.

## 3. PARTS PAGE

Finally, double check you have all the pieces by referencing the parts page of the instructions.

## TIPS FOR RETURNS

Not completely happy with the product? No problem. We just need everything back in the original packaging, so follow the steps below and this will ensure a super-smooth returns process and no delay to your refund.

DO



- Check everything is there (the 'parts page' is a handy checklist).
- Pop all the loose fittings and fixtures into the packaging provided or tie them up in a plastic bag.
- Wrap all the big components back up in the original protective packaging.
- Close up the box and seal it securely (don't be afraid to use plenty of tape).

DON'T



- Leave anything assembled - all components should be dismantled and separately packed.
- Put loose fixtures and fittings straight into the box.
- Throw it back in the box carelessly – as it may get damaged.

NEXT

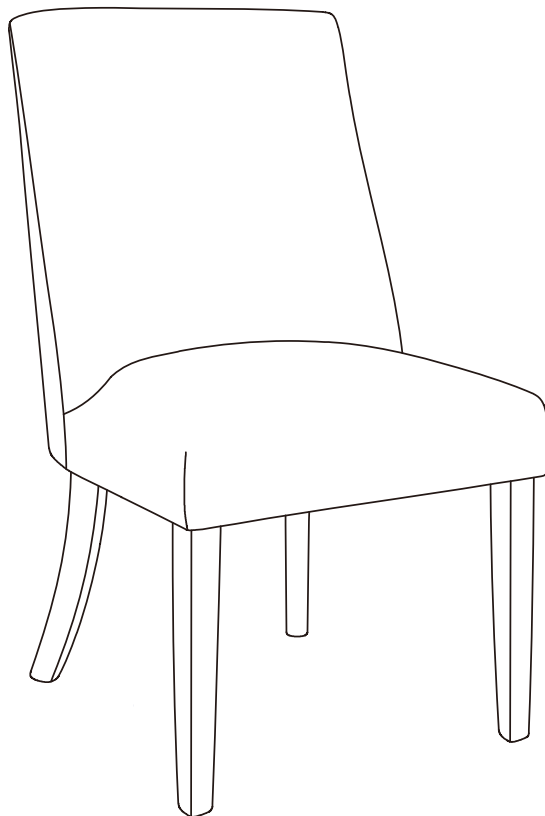
Then just give us a call on 0333 777 8999 and we'll sort out a pick up time for you.

# NEXT WOLTON DINING CHAIR

## Assembly instructions

### Actual product size

Chair: H93xW54.5xD65CM



Item number	Fabric name-Leg	Fabric composition
469132	Chunky weave mid grey-Natural leg	100% polyester
472843	Chunky weave mid natural-Natural leg	100% polyester
829550	Distressed velour silver-Natural leg	100% polyester
829749	Distressed velour French grey-Natural leg	100% polyester
953907	Oplulent Velvet Blush-Natural leg	100% polyester
398340	Soft Textue dark duck egg-Natural leg	100% polyester
712943	Soft Textue light natural-Natural leg	100% polyester
N31157	Soft Linen Look Light Natural - Oak Effect Leg	100% polyester
N31165	Soft Linen Look Mid Grey - Oak Effect Leg	100% polyester
M94568	Soft Texture Mineral Grey - Natural Leg	100% polyester
T30122	Fine Chenille mink-Oak effected leg	100% polyester
M77647	Tweedy plain navy-Oak effected leg	100% polyester
U49951	Chunky Weave Mid Grey - Oak Effect Leg	100% polyester
T83749	Tweedy Plain Natural - Oak Effected leg	100% polyester
T99532	Chunky Weave Mid Natural - Oak Effect Leg	100% polyester
883803	Opulence Airforce - Natural Leg	100% polyester
U54740	Soft Texture Light Grey - Oak Effect Leg	100% polyester

## Need Help?

With: Assembly instructions  
Missing or damaged parts

CALL : 0333 777 8999

**IMPORTANT – RETAIN FOR FUTURE REFERENCE**

# NEXT WOLTON DINING CHAIR

## Assembly instructions

### BEFORE YOU START

#### Warnings

We suggest you retain these instructions for future reference.  
Keep fittings out of children's reach and keep children well away from construction area.  
This product should only be used on firm level ground.  
Please periodically check all fittings and re-tighten as necessary.  
Please do not jump or stand on your furniture.  
Avoid exposing the furniture to excessive heat or direct sunlight as this can cause damage to the materials and deterioration of the color.  
Do not use this item if components are missing or broken  
This product is not suitable for outdoor use

#### Do's

We suggest you spend a short time reading through this leaflet before you start.  
When you are ready to start, make sure that you have the right tools and plenty of space.  
Unwrap all packaging materials and place the components on a clean surface to protect them from damage,  
We recommend that the packaging is used to protect the surfaces during assembly  
Carefully check that you have all the parts before beginning assembly.  
Ensure the product is fully assembled as illustrated and all fixings fully tightened before use.  
Check fixings regularly to ensure they remain tight  
Always wipe dry after cleaning.  
Keep away from strong heat sources.  
Regularly check that the protective feet on the legs are fitted before use.  
To clean your items, please lightly wipe with a slightly dampened cloth  
For leather items dust regularly with a soft cloth, preferably once a week, to keep the leather pores free from dust particles  
For velvet items use a soft brush lightly dress the fabric. Lightly wipe with a slightly dampened cloth to clean.  
For velvet items avoid scratching the fabric as the pile may not recover and permanently mark it.

#### Don'ts

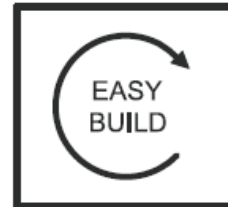
Do not drag your furniture.  
Do not use silicone based furniture polish. Silicone in furniture polishes can break down the lacquer finish  
Never allow any kind of liquid to remain on your furniture.  
Absorption can cause materials to warp or finishes to de-laminate or stain.  
Do not stand or lean back on your chairs.

#### Number of people required to assemble

We recommend one people assemble this product.



Time to assemble : 30 minutes



#### Missing parts

If you are missing any fixtures and fittings for your product please contact our customer service team on **0333 777 8999** and they will be happy to arrange for a replacement to be sent to you free of charge.

#### Home service technicians

If you have a fault with your product please contact our customer service team on 0333 777 8999. If you have had the product for 28 days or less you may be offered a replacement, refund or for a fully trained home service technician to visit your home to assess the fault and repair the product where possible. If you have had the product for more than 28 days we will send an independant home service technician to review and repair the product where possible and recommend further action.

#### You can write to us at

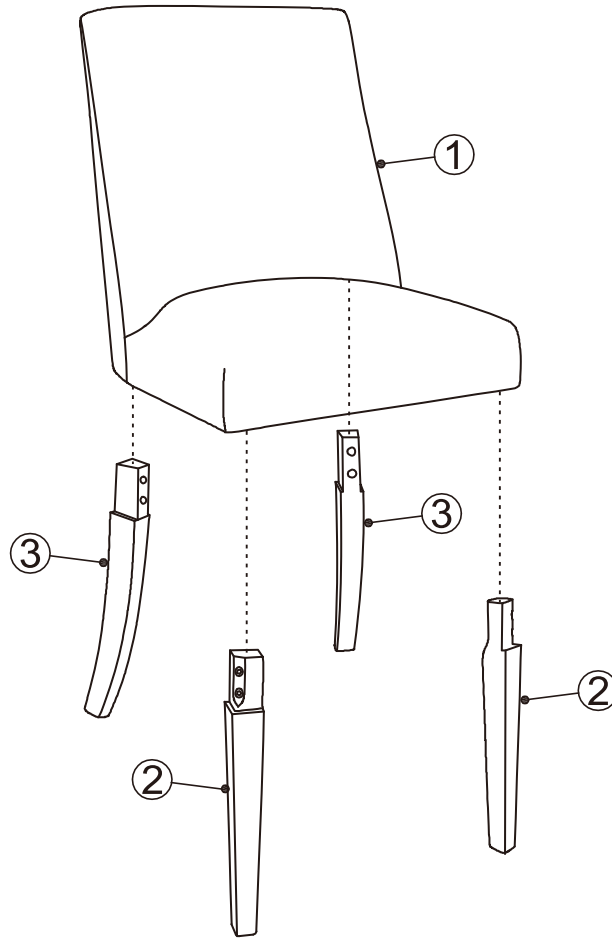
Home Customer Services  
Next Retail Ltd,  
Desford Road,  
Leiceste r,  
LE19 4 AT

To view our full furniture range please visit [www.next.co.uk](http://www.next.co.uk)




# NEXT WOLTON DINING CHAIR

Assembly instructions

## GETTING TO KNOW YOUR PRODUCT



Components supplied. Please use this guide if you require replacement parts.

Ref	Dimension	Visual	Qty
1	Seat: H58.5xW54.5xD65CM		1
2	Front legs: 43x4.3x3CM		2
3	Back legs: 42x4.7/3.3x3/3.3CM		2

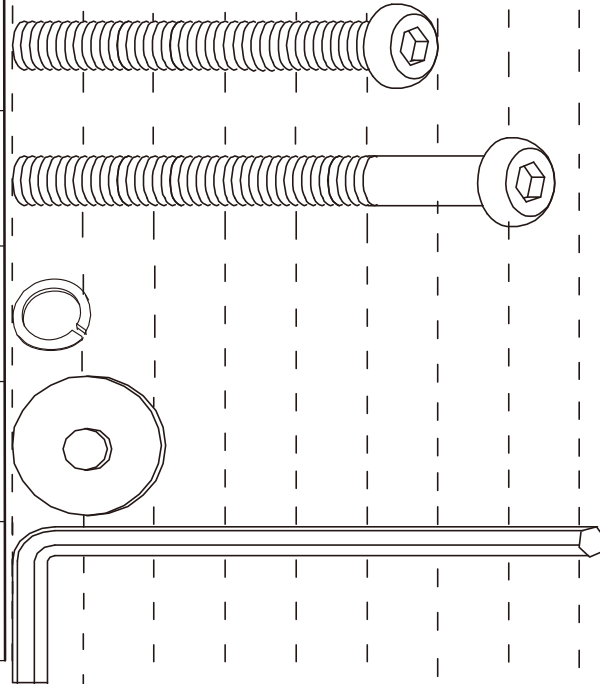
# NEXT WOLTON DINING CHAIR

## Assembly instructions

Fixtures and fittings  
supplied (actual size)

Ref	Dimension	Qty	Spare
A	M8 x 55mm	4	1
B	M8 x 70mm	4	1
C	12mm	8	1
D	22mm	8	1
E	8 x 85mm	1	0

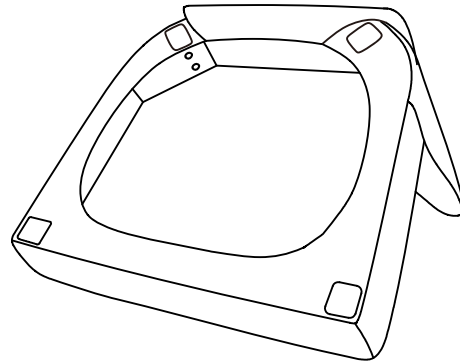
mm 10 20 30 40 50 60 70 80 90 100 110 120 130



# NEXT WOLTON DINING CHAIR

Assembly instructions





1

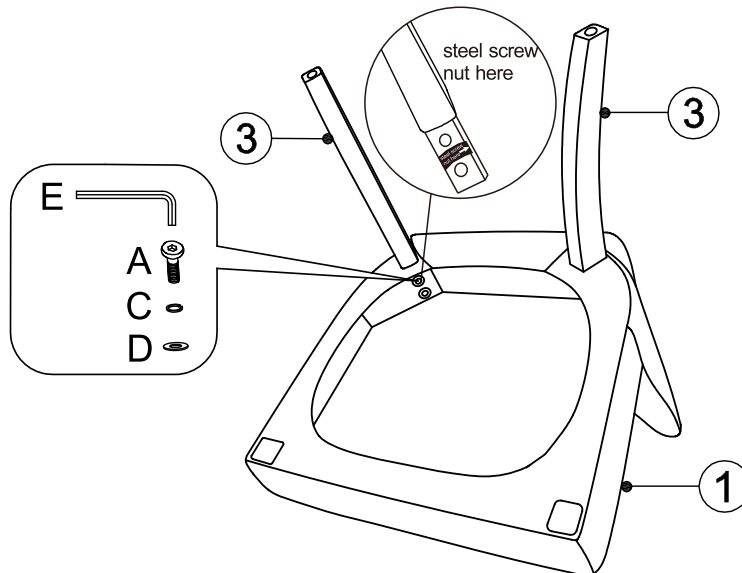


## WARNING!

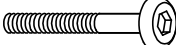



Open the bottom of the chair and take the legs out.

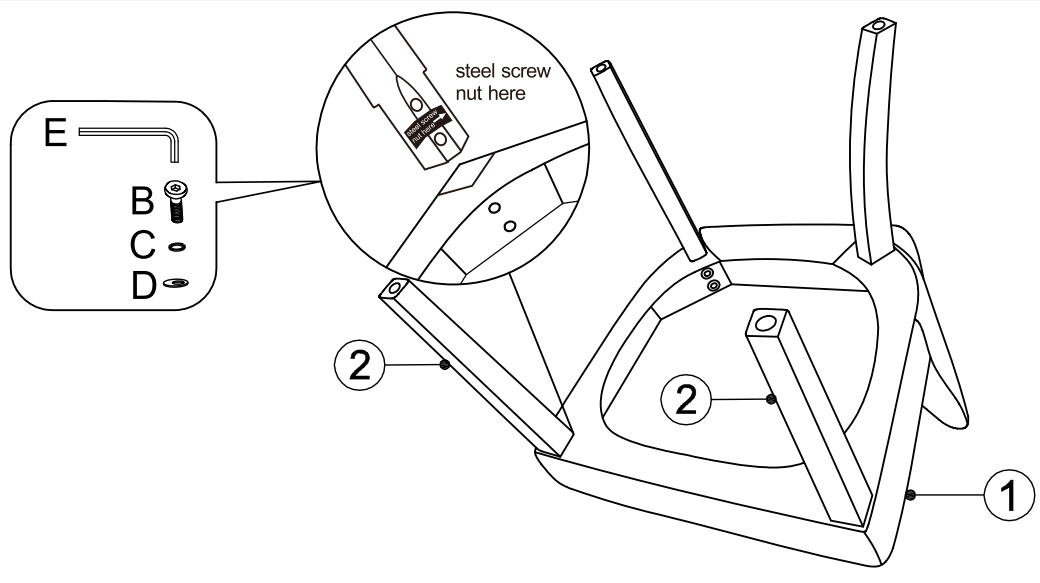
2

<b>A x 4</b>	M8x55mm
	
<b>C x 4</b>	12mm
	
<b>D x 4</b>	22mm
	
<b>E x 1</b>	8x85mm
	



3

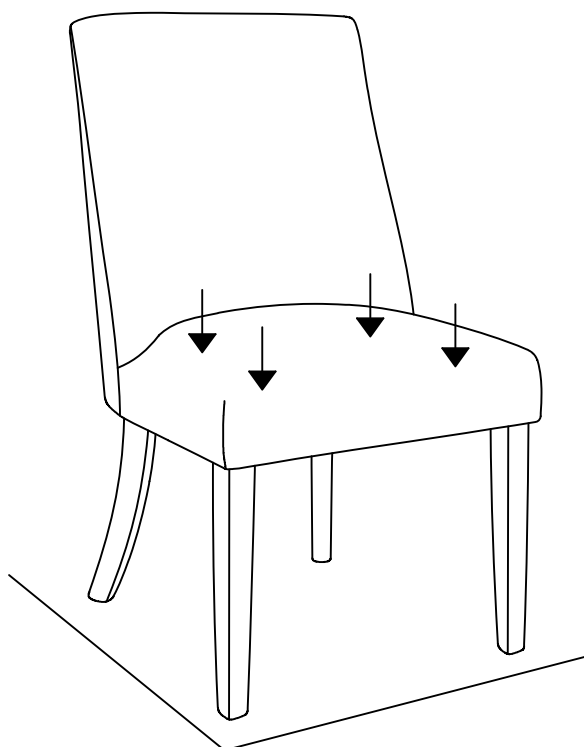
<b>B x 4</b>	M8x70mm
	
<b>C x 4</b>	12mm
	
<b>D x 4</b>	22mm
	
<b>E x 1</b>	8x85mm
	



# NEXT WOLTON DINING CHAIR

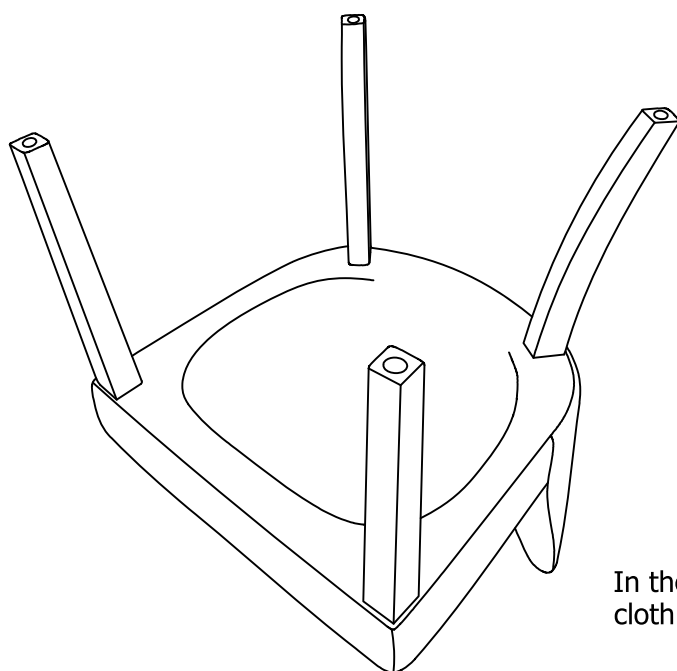
Assembly instructions

4



Then adjust balance of this chair  
tighten all the screws to 100%.

5



In the end , zip up the non-wooven  
cloth underneath the seat.

# NEXT WOLTON DINING CHAIR

Assembly instructions

## Actual product size

Chair: H93xW54.5xD65CM

CAUTION: Maxium weight capacity of this chair is 130kg.

