

NEXT GRAYSON BED

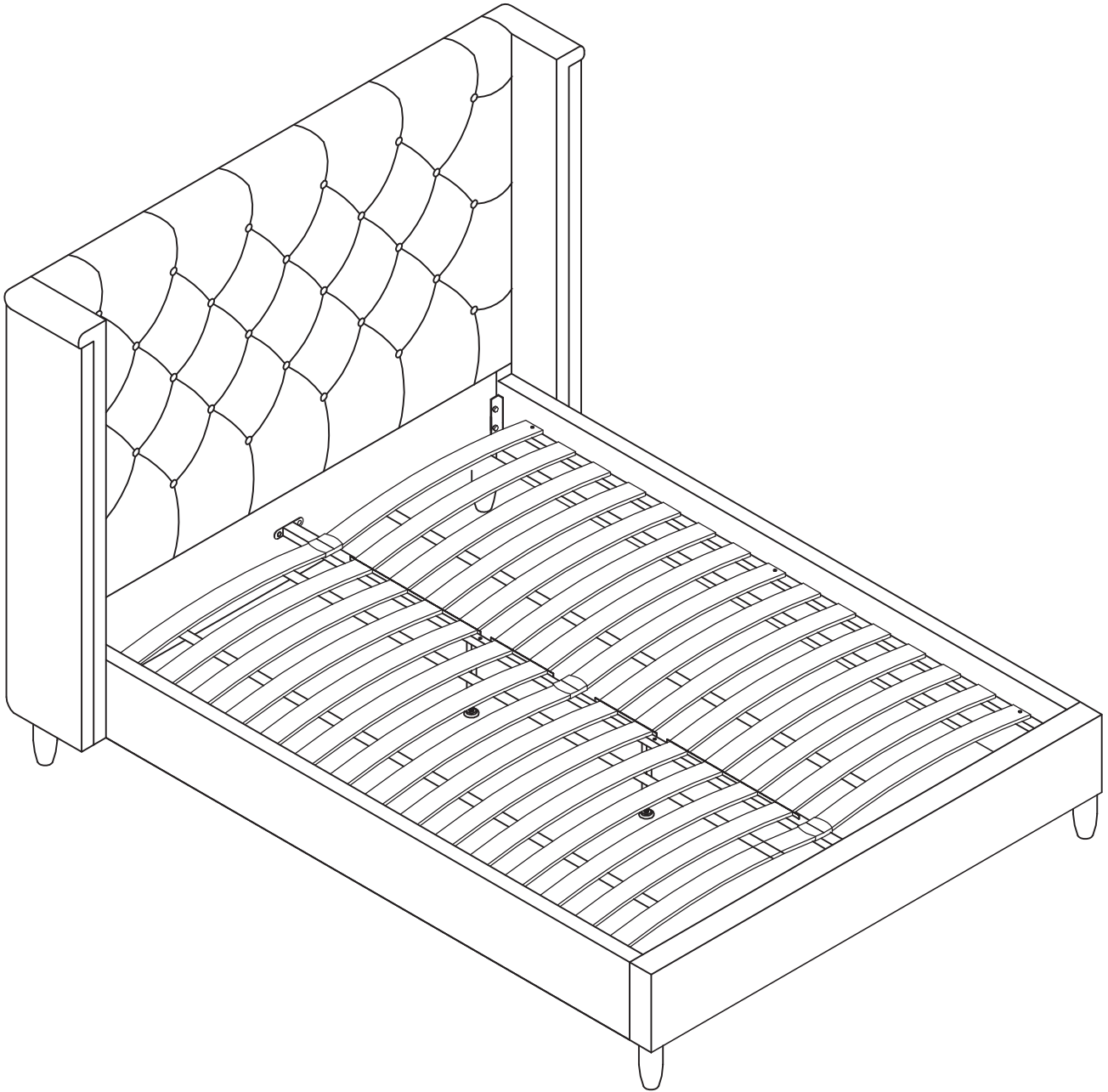
Assembly instructions

Actual product size

Double: H130 x W166 x L210

King: H130 x W181 x L220

SuperKing: H130 x W211 x L220



Item number	Fabric name	Fabric composition
U66407	Wool Blend Stone	51% Wool / 30% Viscose / 19% Polyester

Need Help?

With: Assembly instructions
Missing or damaged parts

IMPORTANT – RETAIN FOR FUTURE REFERENCE

CALL: 0333 777 8999

NEXT GRAYSON BED

Assembly instructions

BEFORE YOU START

Warnings

We suggest you retain these instructions for future reference.

Keep fittings out of children's reach and keep children well away from construction area.

This product should only be used on firm, level ground

Please periodically check all fittings and re-tighten as necessary.

Please do not jump or stand on your bed.

Avoid exposing the furniture to excessive heat or direct sunlight as this can cause cracking of the wood and deterioration of the colour.

Keep away from strong heat sources.

Do not use this item if components are missing or broken

Keep fingers away from moving parts to avoid any possible injury.

Do's

We suggest you spend a short time reading through this leaflet before you start .

When you are ready to start, make sure that you have the right tools and plenty of space .

Due to the size of the product we recommend that it is assembled in the room intended for use.

Unwrap all packaging materials and place the components on a clean surface to protect it from damage, We recommend that the packaging is used to protect the surfaces during assembly .

Carefully check that you have all the parts before beginning assembly Ensure the product is fully assembled as illustrated and all fixings fully tightened before use.

Check fixings regularly to ensure they remain tight .

When adjusting the support legs, ensure that the foot is set 10mm from the floor surface without the mattress in place. When in use the legs will create the required support.

Always ensure that protectors are used on the legs according to your flooring type.

Ensure that the bed is assembled as per the instructions, all fittings are tightened and slats are secure before placing your mattress.

To clean your items, please lightly wipe with a slightly dampened cloth

For leather items dust regularly with a soft cloth, preferably once a week, to keep the leather pores free from dust particles

For velvet items use a soft brush lightly dress the fabric. Lightly wipe with a slightly dampened cloth to clean.

For velvet items avoid scratching the fabric as the pile may not recover and permanently mark it.

Don'ts

Do not drag your assembled bed. Always lift the bed and check that the centre support rail is securely fixed in place.

Apply Adhesive substrates for example, sticky tape to the product

Do not use silicone based furniture polish. Silicone in furniture polishes can break down the lacquer finish

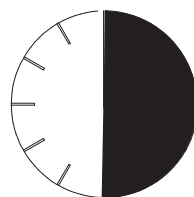
Never allow any kind of liquid to remain on your furniture. Absorption can cause finishes to de-laminate and or stain

Please do not jump or stand on your bed

Number of people required to assemble

We recommend two people assemble this product.

Time to assemble



30 min.



Missing parts

If you are missing any fixtures and fittings for your product please contact our customer service team on **0333 777 8999** and they will be happy to arrange for a replacement to be sent to you free of charge.

Home service technicians

If you have a fault with your product please contact our customer service team on 0333 777 8999. If you have had the product for 28 days or less you may be offered a replacement, refund or for a fully trained home service technician to visit your home to assess the fault and repair the product where possible. If you have had the product for more than 28 days we will send an independant home service technician to review and repair the product where possible and recommend further action.

You can write to us at

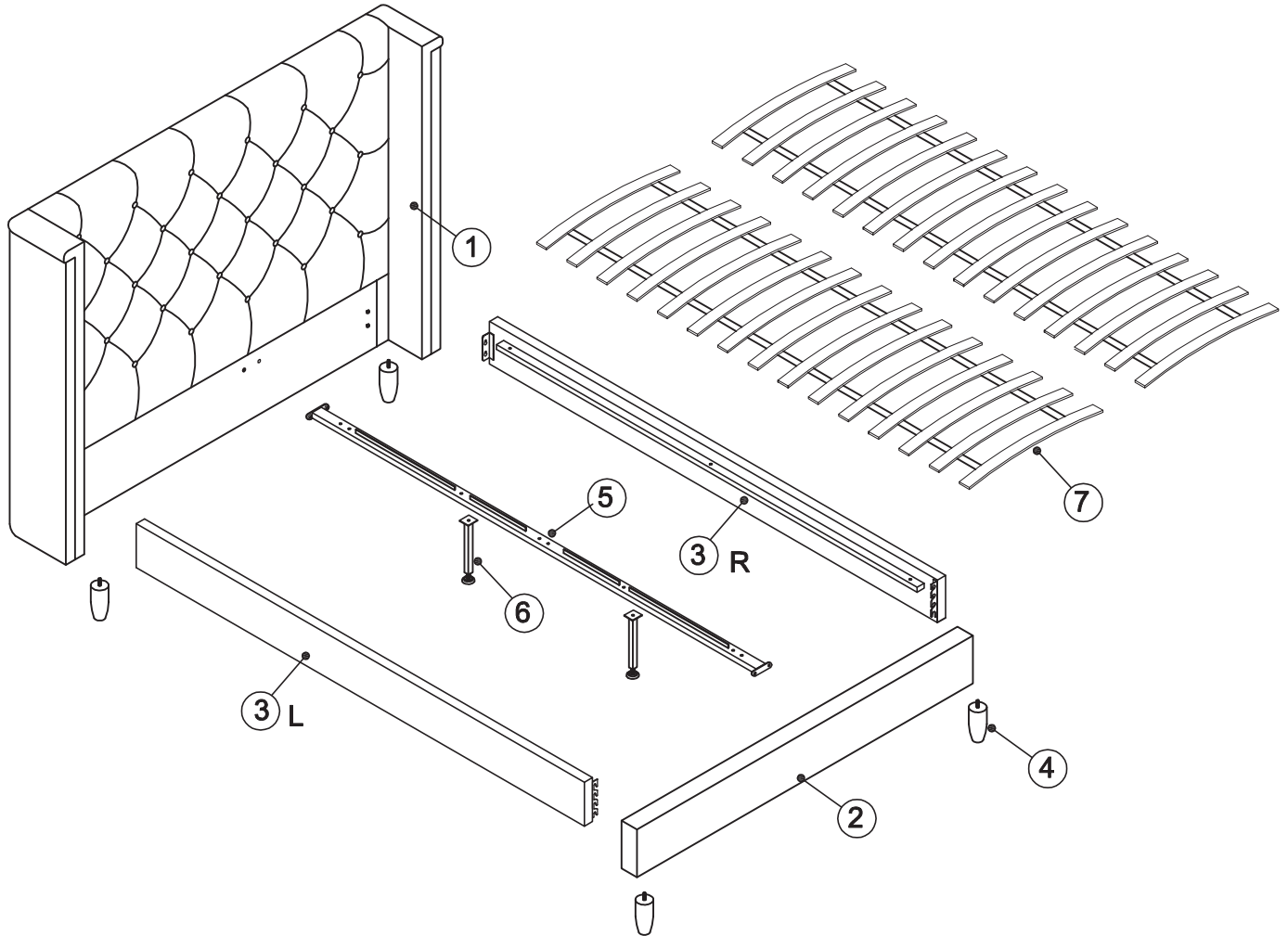
Home Customer Services
Next Retail Ltd,
Desford Road,
Leiceste r,
LE19 4 AT

To view our full furniture range please visit www.next.co.uk

NEXT GRAYSON BED

Assembly instructions

GETTING TO KNOW YOUR PRODUCT



Components supplied. Please use this guide if you require replacement parts.

Ref	Dimension	Visual	Qty
1	Double: 166x118cm King: 181x118cm Superking: 221x118cm		1
2	Double: 147x20cm King: 162x20cm Superking: 192x20cm		1
3	Double: 192x20cm King: 202x20cm Superking: 202x20cm		2
4	12 x 6cm		4

Ref	Dimension	Visual	Qty
5	Double: 192 x 5cm King: 202 x 5cm Super King: 202 x 5cm		1
6	24x2.5cm		2
7	Double: 170x68cm King: 180x75.5cm Superking: 180x90cm		2

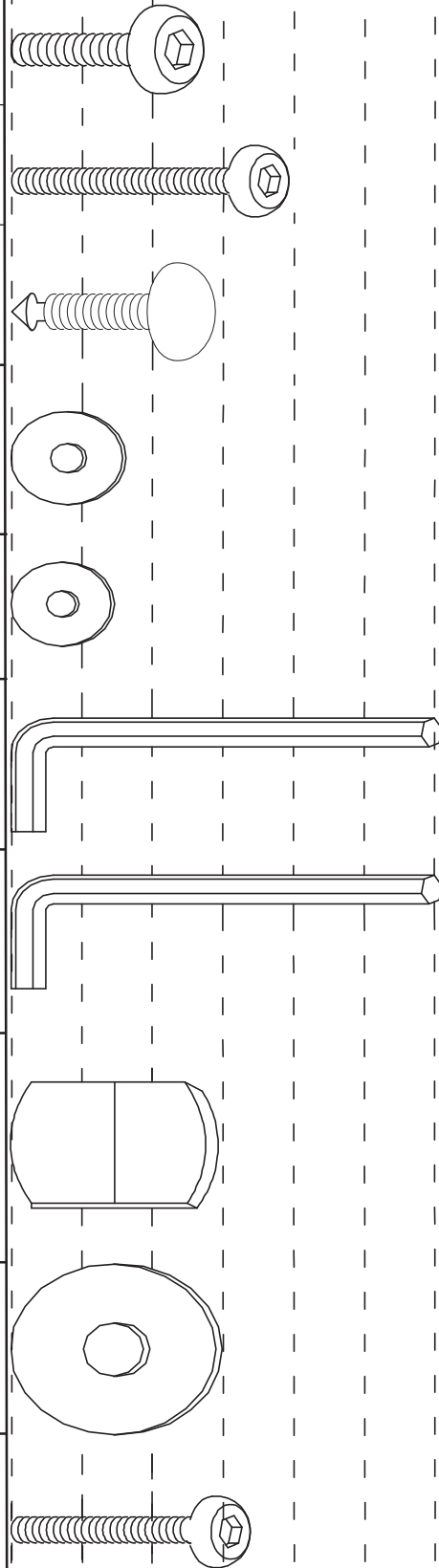
NEXT GRAYSON BED

Assembly instructions

Fixtures and fittings supplied (actual size)

mm 10 20 30 40 50 60 70 80 90 100 110 120 130

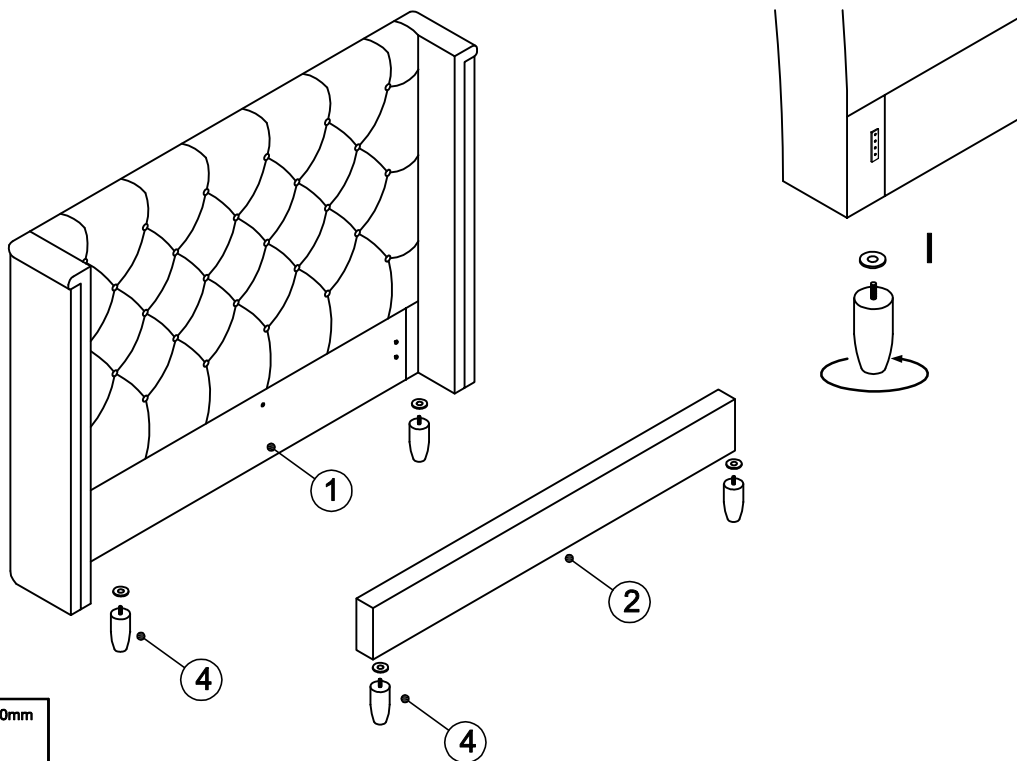
Ref	Dimension	Qty	Spare
A	8 x 25mm	12	1
B	6 x 35mm	2	1
C	8 x 25mm	8	1
D	8 x 13mm	12	1
E	6 x 11mm	6	1
F	4 x 60mm	1	N/A
G	5 x 60mm	2	N/A
H	65 x 56mm	4	1
I	3 x 40mm	4	N/A
J	6 x 30mm	4	1



NEXT GRAYSON BED

Assembly instructions

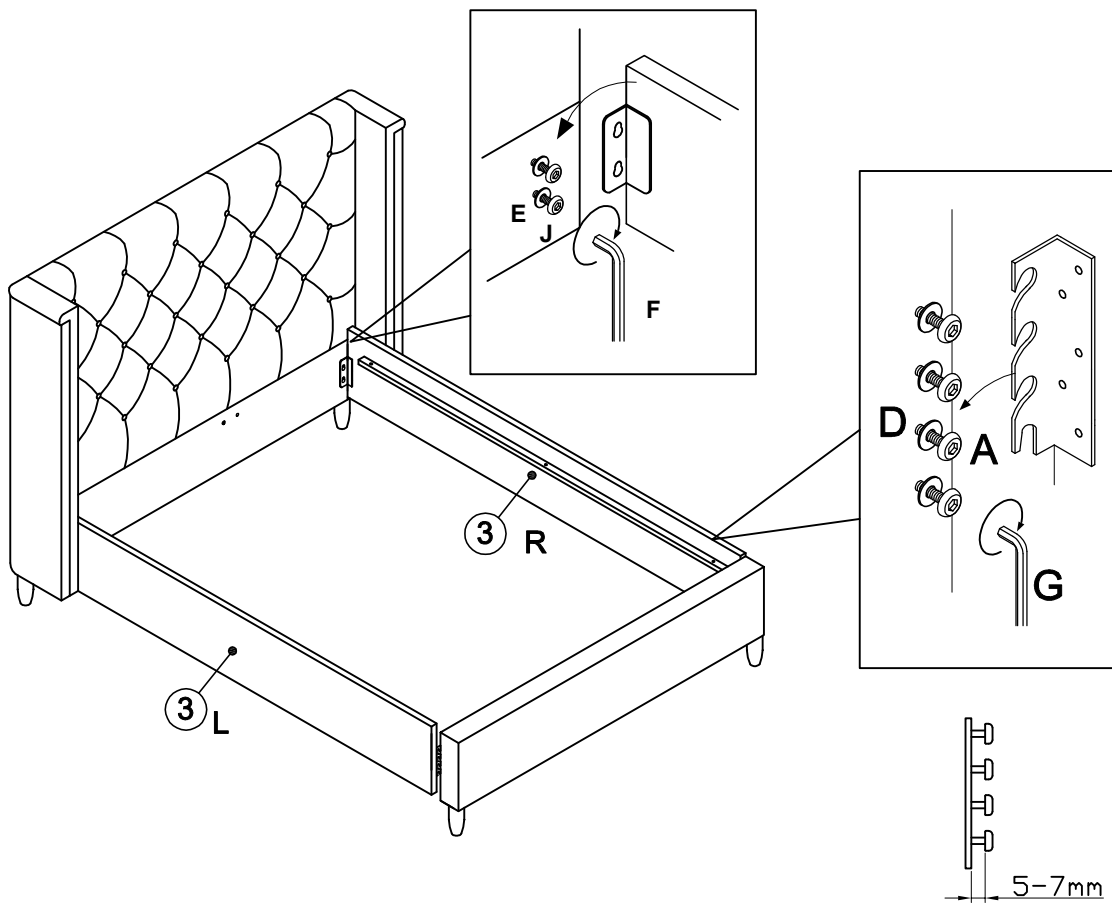
1



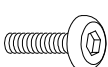
I x 4 3 x 40mm



2



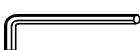
A x 12 8 x 20mm



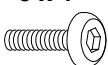
D x 8 8 x 13mm



G x 1 5 x 60mm



J x 4 6 x 25mm



E x 4 6 x 13mm



F x 4 4 x 60mm

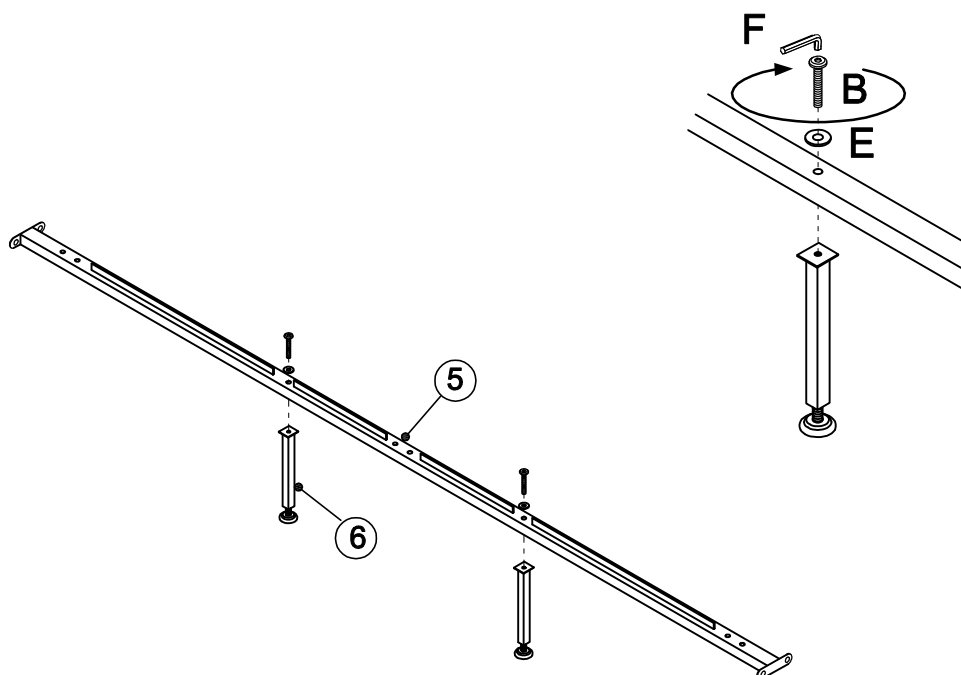


5-7mm

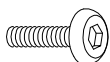
NEXT GRAYSON BED

Assembly instructions

3



B x 2 6 x 30mm



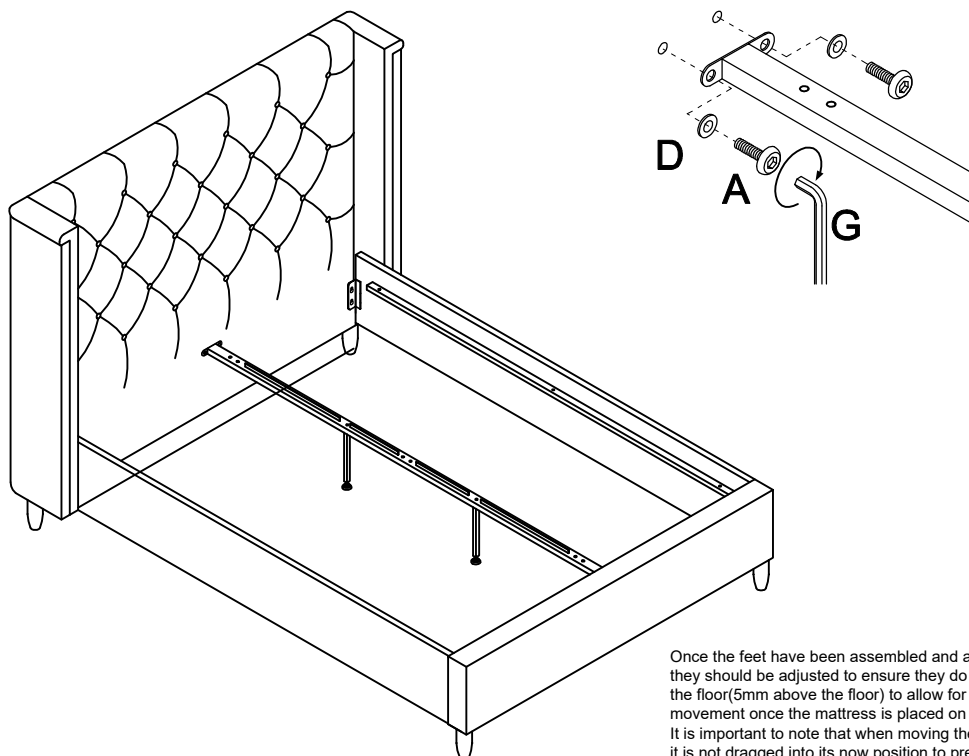
E x 2 6 x 11mm



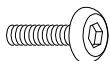
F x 1 4 x 60mm



4



A x 4 8 x 20mm



D x 4 8 x 13mm



G x 1 5 x 60mm



J x 4 2 x 11mm



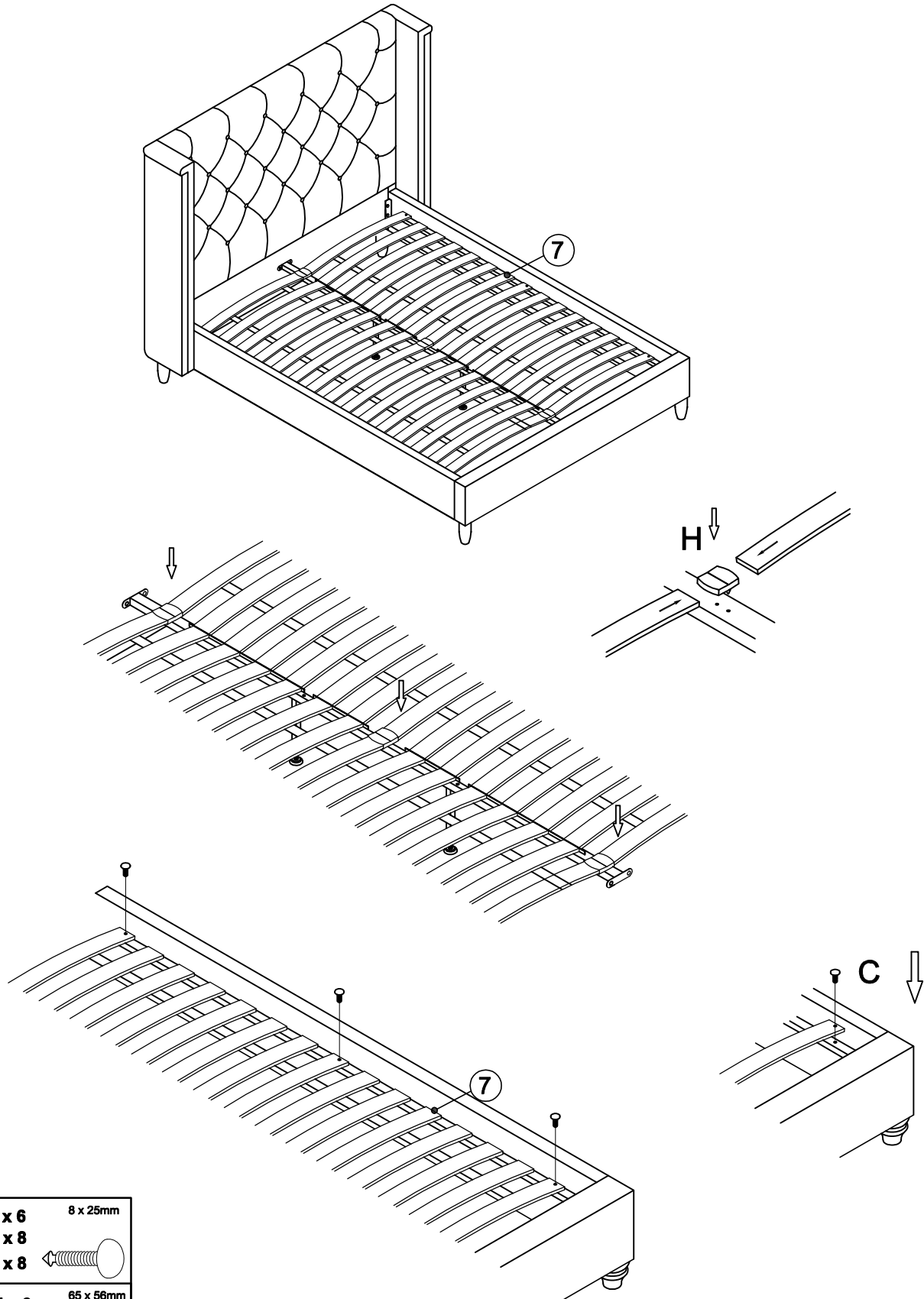
Once the feet have been assembled and attached, they should be adjusted to ensure they do not touch the floor (5mm above the floor) to allow for movement once the mattress is placed on the frame. It is important to note that when moving the bed that it is not dragged into its new position to prevent the possibility of these feet being twisted or angled to one side, which could lead to the collapse of the bed.

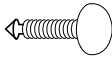

To move the bed, remove the mattress and lift the bed into its new position to avoid damage. Ensure the feet at 90 degree to the floor before replacing the mattress. Adjust the feet to level then tight all screws firmly.

NEXT GRAYSON BED

Assembly instructions

5



Double	C x 6	8 x 25mm
King	C x 8	
Super King	C x 8	
Double	H x 3	65 x 56mm
King	H x 4	
Super King	H x 4	

NEXT GRAYSON BED

Internal size for mattress

Double: 190 x 135

King: 200 x 150

SuperKing: 200 x 180

