

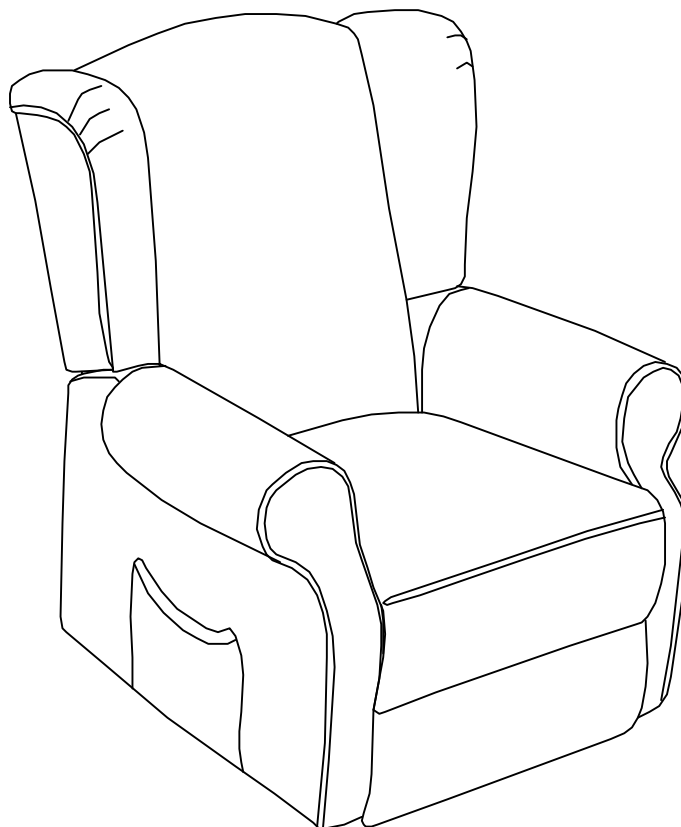
NEXT

SHERLOCK RISE & RECLINER CHAIR

Assembly instructions

Actual product size

H102xW84xD92CM



Item number	Fabric name-Leg	Fabric composition
874519	Chunky Weave Mid Natural	100% polyester
K90123	Plush Chenille Slate Blue	100% polyester
K90121	Versatile Check Nevis Grey	100% polyester
K90122	Versatile Check Stirling Red	100% polyester
AR6962	Tweedy Check Lawson Mid Grey	100% polyester
AN3314	Versatile Check Light Natural	100% polyester
V27388	Multi Boucle Fleck Light Natural	100% polyester

IMPORTANT RETAIN FOR FUTURE REFERENCE

Need Help?

With: Assembly instructions
Missing or damaged parts

CALL: 0333 777 8999

SHERLOCK RISE & RECLINER CHAIR

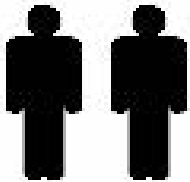
Assembly instructions

BEFORE YOU START

Number of people required to assemble
Two people are required to assemble this item
Time to assemble: 15 minutes



Domestic use



Do's

We suggest you spend a short time reading through this leaflet before you start. When you are ready to start, make sure that you have the right tools and space. Unwrap all packaging materials and place the components on a clean surface to protect it from damage, We recommend that the packaging is used to protect the surfaces during assembly. Carefully check that you have all the parts before beginning assembly. Ensure the product is fully assembled as illustrated and all fixings fully tightened before use. Check fixings regularly to ensure they remain tight. Always wipe dry after cleaning.

Don'ts

Never allow any kind of liquid to remain on your furniture. Absorption can cause wood to warp or finishes to de-laminate.
Do not stand or lean back on your chairs.
Do not use silicone based furniture polish. Silicone in furniture polishes can break down the lacquer finish.

Missing parts

If you are missing any fixtures and fittings for your product please contact our customer service team on 0333 777 8999 and they will be happy to arrange for a replacement to be sent to you free of charge.

Home service technicians

If you have a fault with your product please contact our customer service team on 0333 777 8999. If you have had the product for 28 days or less you may be offered a replacement, refund or for a fully trained home service technician to visit your home to assess the fault and repair the product where possible. If you have had the product for more than 28 days we will send an independent home service technician to review and repair the product where possible and recommend further action.

Warnings

We suggest you retain these instructions for future reference. Keep fittings out of children's reach and keep children well away from construction area. This product should only be used on firm level ground. Please periodically check all fittings and re-tighten as necessary.

Avoid exposing the furniture to excessive heat or direct sunlight as this can cause cracking of the wood and deterioration of the colour.

Unwrap all packaging materials and place the components top of the carton box or on a clean floor to protect it from damage.

For recliner chairs with mechanisms, this product contains moving parts:

Do not allow children to play with the recliner or climb under the recliner mechanism as this is not a toy. Never leave children and babies unattended near this product.

Please do not allow pets under or near the recliner mechanism.

Never sit on the arms of the product or on the footrest when it is in the open / recline position.

Do not attempt to stretch too far over the arm of the chair as, in extreme cases this could cause the chair to tilt. Always ensure that no objects, however small, are left under the recliner mechanism as any loose item can interfere with the moving parts.

Never attempt to move the chair/sofa when it is in any of the open reclined positions.

Please note that this product should never be used other than as a reclining chair/sofa – it is not a bed and should not be used as a substitute for a bed.

You can write to us at

Home Customer Services
Next Retail Ltd,
Desford Road,
Leicester
Le194 AT
To view our full furniture range
please visit www.next.co.uk

Need Help?

With: Assembly instructions
Missing or damaged parts
CALL: 0333 777 8999

IMPORTANT, READ CAREFULLY, RETAIN
FOR FUTURE REFERENCE
LIMITED WEIGHT: NO MORE THAN 110KG
CONFORM TO BS 8474:2013
WARNING:

1. This is an electrical item and should be treated with caution.
2. Always ensure that there is nothing to obstruct the free movement of the chair, for example, children or pets, or solid objects, e.g. a wall.
3. This appliance can be used by children aged from 8 years and above and persons with reduced physical, sensory or mental capabilities or lack of experience and knowledge if they have been given supervision or instruction concerning use of the appliance in a safe way and understand the hazards involved.
Children shall not play with the appliance.
Cleaning and user maintenance shall not be made by children.

4. Take care when adjusting positions to avoid trapping or pinching of body parts.
5. Do not sit on footrest.
6. Only the occupant or a responsible person should operate the chair.
7. Exercise care when lowering into the chair as shock loads can severely damage the chair and the mechanism.
8. It should be returned to the seated position when the chair is not in use.
9. Power cable can become a tripping hazard.
10. If a cable or adapter is damaged it should be replaced by a qualified person.
11. Do not use this product outside or in places with high humidity.
12. The motion lockout control must be engaged when the chair is not in use.
13. This chair is not suitable for use by children. Any children in the vicinity must be supervised at all times.

14. Information on the operation of the motionlockout control.
15. The chair is ready for use once the chair has been fully installed in the correct position, and the user has read and understood the operating instructions.
16. When the chair is not in use it should be returned to the seated position.

SHERLOCK RISE& RECLINER CHAIR

CARE AND SERVICE

Care and Cleaning

As with all surfaces clean with a damp cloth and mild detergent, do not use bleach or abrasive products.

Upholstery Care Guide

The below advice is to help you maintain your sofa to ensure you can get the very best out of it.

Once you have received your sofa please reshape and plump the cushions back to their original shape, it may take a few days for any creases to drop out.

Cushion Care

Your Cushions will soften over time, to maximise your comfort and the life of the cushions follow the advice below.

Fibre -Fibre Cushions need to be cared for daily. It is recommended that they are plumped by shaking and squeezing to even out the fibres every day. This will provide longer lasting comfort and life.

Foam - Foam cushions will naturally soften within the first few weeks. To ensure even wear swap cushions around from favourite seat locations and flip them where possible.

General Care Advise

Vacuum clean your upholstery at least once a week, dust removal may be improved by pre-brushing with a soft cloth. Chenille, velour and velvets may flatten in use, crush marks and random shading will occur. This is a normal characteristic of this fabric.

Periodically check and re-tighten feet where required.

Keep upholstery out of direct sunlight to avoid discolouring.

Do not place the furniture in a conservatory, excessively dry or humid conditions.

Avoid sharp items such as toys, jean rivets and buckles coming into contact with the upholstery as these can easily snag, tear or pull the fabric.

To maintain the appearance and durability of your suit, restrain children and pets from climbing and jumping on the sofa.

Leather is a natural product and can display natural marks and characteristics such as healed scars, grain directions and creases.

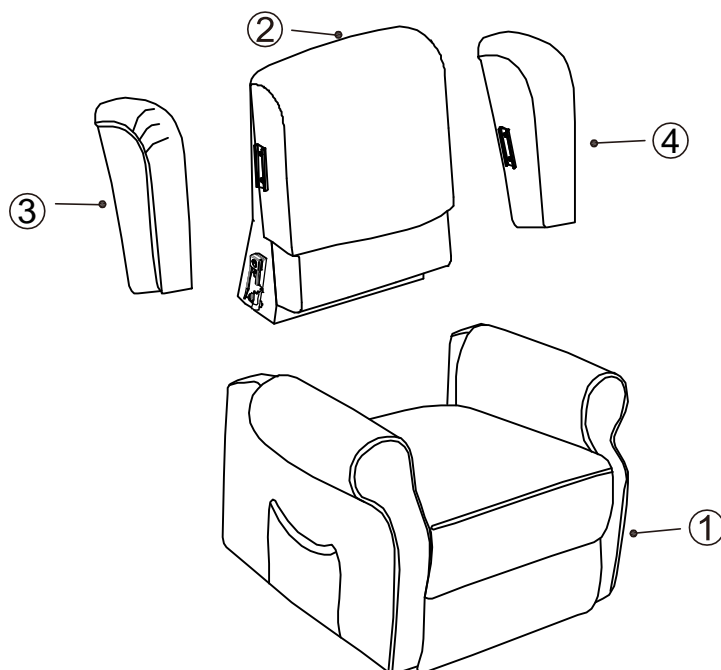
These are natural features not faults.

Please dust leather regular and clean with a damp cloth.





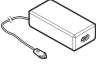

SHERLOCK RISE& RECLINER CHAIR

Assembly instructions

GETTING TO KNOW YOUR PRODUCT



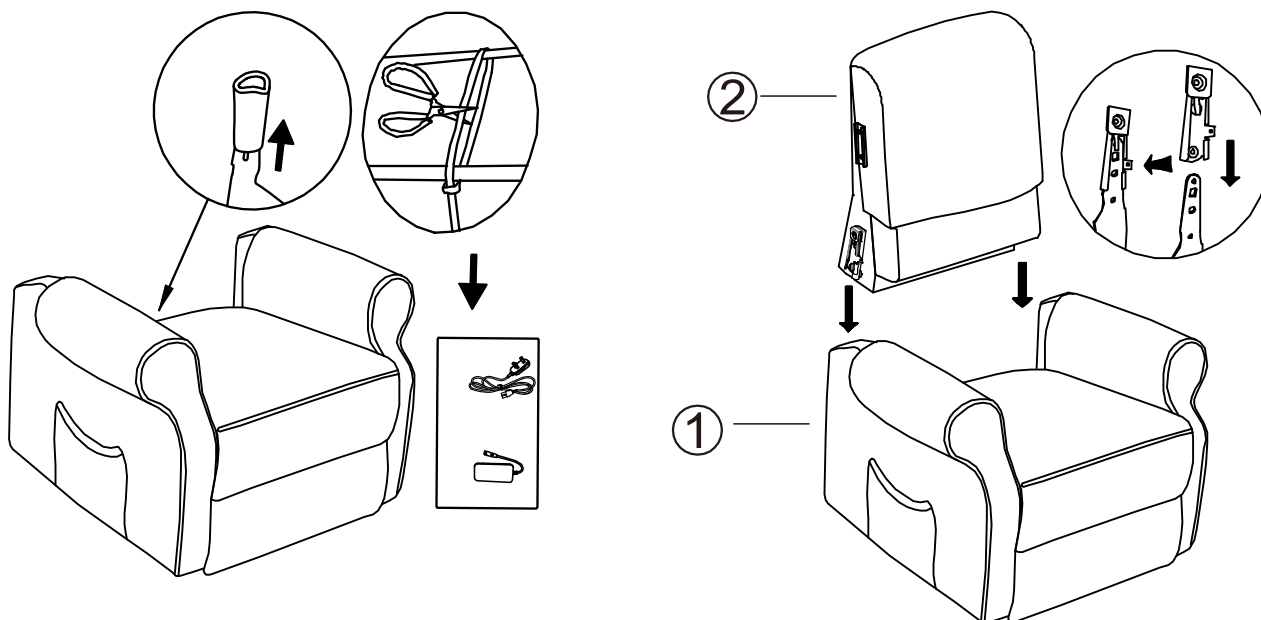
Components supplied. Please use this guide if you require replacement parts.

Ref	Dimension	Visual	Qty
1	Seat: D60xW79.5xH48CM		1
2	Back: 109x18x58CM		1
3	Left ear:		1
4	Right ear:		1
5	Transformer:		1
6	Power Cable:		1

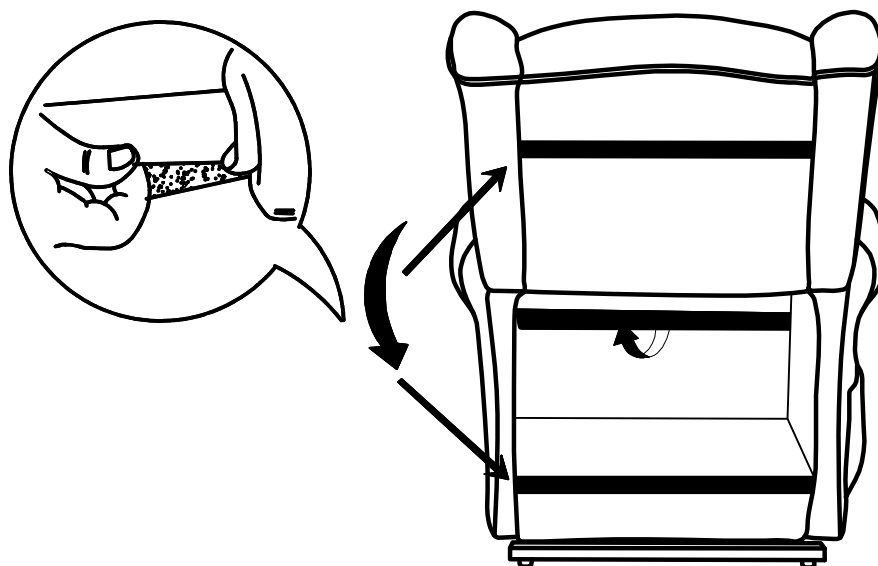
SHERLOCK RISE& RECLINER CHAIR

Assembly instructions

1



2

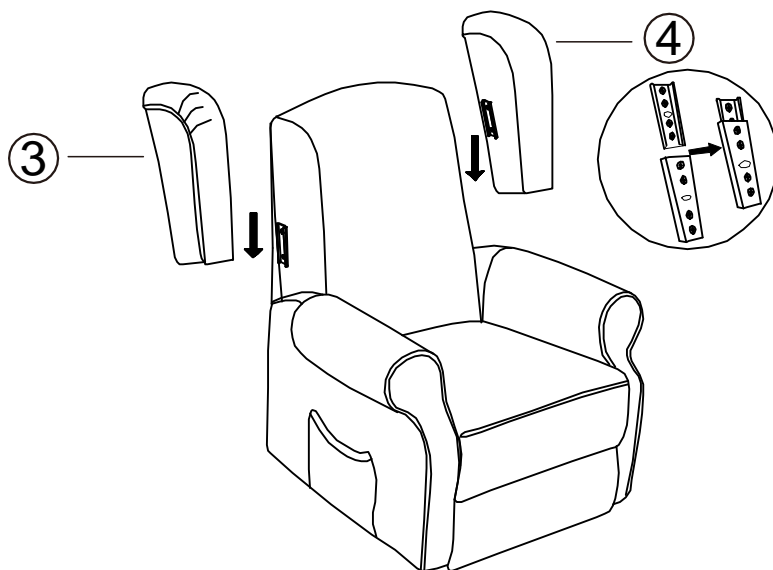


Please attach the Hook & Loop together.

SHERLOCK RISE & RECLINER CHAIR

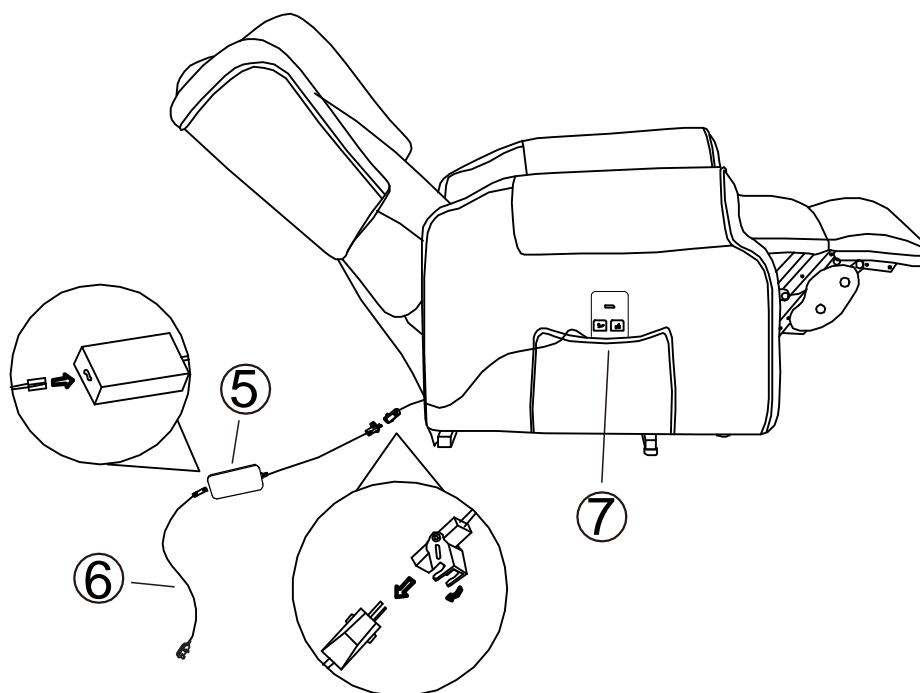
Assembly instructions

3



4

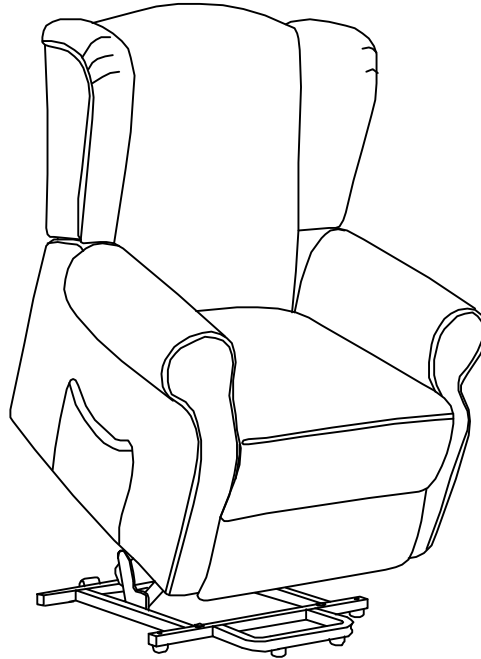
Notes:
Adapter Input: 100-240VAC,
50-60Hz, 2.0A
Output: 29.0V 1.8A
Motor Input Voltage: 24-29V, 100W
Duty cycle: 1 min ON / 8 min OFF



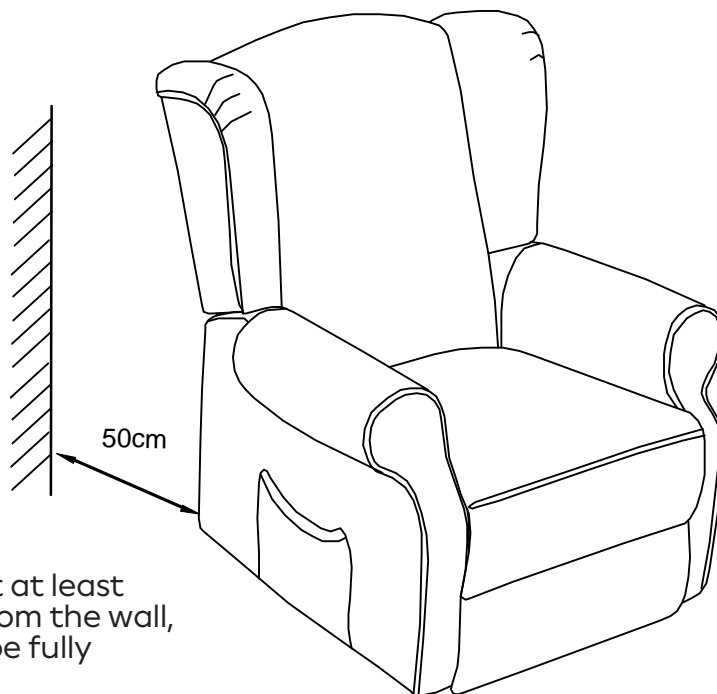
SHERLOCK RISE& RECLINER CHAIR

Assembly instructions

5



6



Please place it at least 50cm away from the wall, the sofa can be fully opened.

NEXT

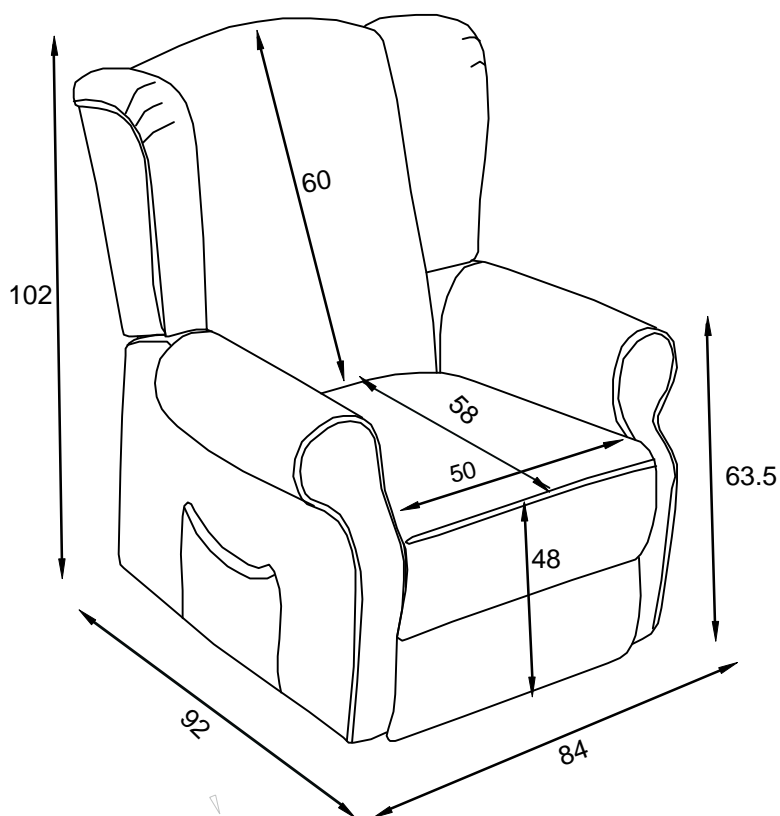
SHERLOCK RISE& RECLINER CHAIR

Assembly instructions

Actual product size

H102xW84xD92CM

CAUTION: Maxium weight capacity of this chair is 110kg.



NEXT

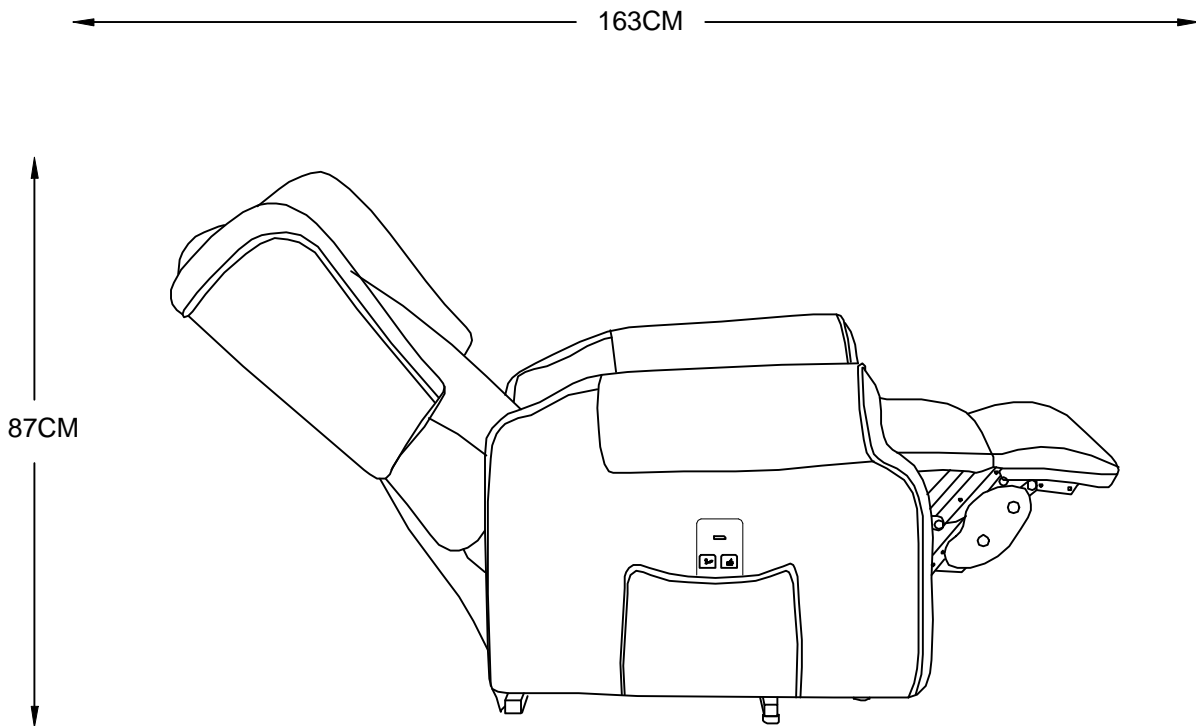
SHERLOCK RISE& RECLINER CHAIR

Assembly instructions

Actual product size

H102xW84xD92CM

CAUTION: Maxium weight capacity of this chair is 110kg.



Correct Disposal of this product



This marking indicates that this product should not be disposed with other household wastes throughout the EU. To prevent possible harm to the environment or human health from uncontrolled waste disposal, recycle it responsibly to promote the sustainable reuse of material resources. To return your used device, please use the return and collection systems or contact the retailer where the product was purchased. They can take this product for environmental safe recycling.

Directive 2002/96/EC