

BEFORE YOU GET STARTED...

We're confident you'll love your gorgeous new Next furniture. However, it's worth making absolutely certain before you put it all together.

So, let's quickly run through these three steps:

1. COLOUR

Make sure you're happy with the colour
No need to unpack everything, just check the first component.

2. PROTECTIVE PACKAGING

If you're happy, then it's time to get opening! Start by laying everything out on the protective packaging – this will prevent anything getting scratched.

3. PARTS PAGE

Finally, double check you have all the pieces by referencing the parts page of the instructions.

TIPS FOR RETURNS

Not completely happy with the product? No problem. We just need everything back in the original packaging, so follow the steps below and this will ensure a super-smooth returns process and no delay to your refund.

DO



- Check everything is there (the 'parts page' is a handy checklist).
- Pop all the loose fittings and fixtures into the packaging provided or tie them up in a plastic bag.
- Wrap all the big components back up in the original protective packaging.
- Close up the box and seal it securely (don't be afraid to use plenty of tape).

DON'T



- Leave anything assembled - all components should be dismantled and separately packed.
- Put loose fixtures and fittings straight into the box.
- Throw it back in the box carelessly – as it may get damaged.

**NEXT
HOME**

Then just give us a call on 0333 777 8999 and we'll sort out a pick up time for you.

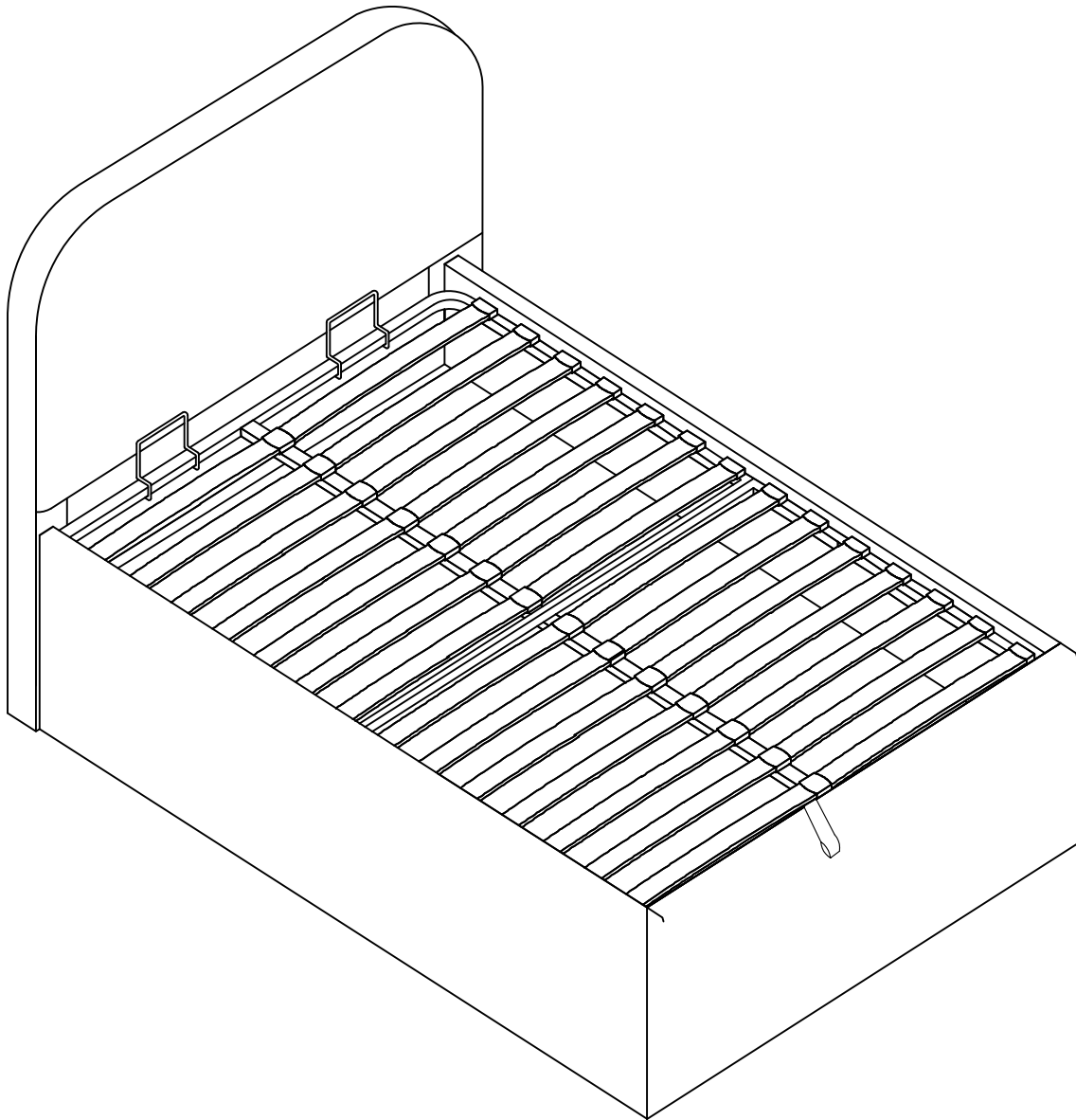
Assembly instructions

Actual product size

Double W145.5cm X L205cm X H110cm

King W160.5cm X L215cm X H110cm

Super King W190.5cm X L215cm X H110cm



| Item number | Fabric name | Fabric composition |
|-------------|----------------------------|--------------------|
| W53720 | Tweedy Plain Light Natural | 100% polyester |
| V32442 | Smart Chenille Mid Grey | 100% polyester |

IMPORTANT - RETAIN FOR FUTURE REFERENCE

Need Help?

With: Assembly Instructions
Missing or damaged parts
CALL: 0333 777 8999

Assembly instructions

BEFORE YOU START

Warnings

We suggest you retain these instructions for future reference.

Keep fittings out of children's reach and keep children well away from construction area.

This product should only be used on firm level ground.

Please periodically check all fittings and re-tighten as necessary.

Please do not stand on your bed.

Avoid exposing the furniture to excessive heat or direct sunlight as this can cause damage to the materials and deterioration of the colour.

Do's

We suggest you spend a short time reading through this leaflet before you start.

When you are ready to start, make sure that you have the right tools, plenty of space.

Due to the size of this product we recommend that it is assembled in the room intended for use.

Unwrap all packaging materials and place the components on a clean surface to protect them from damage.

We recommend that the packaging is used to protect the surfaces during assembly.

Carefully check that you have all the parts before beginning assembly.

Ensure the product is fully assembled as illustrated and all fixings are fully tightened before use. Check fixings regularly to ensure they remain tight.

When moving the assembled bed, remove mattress, and lift the bed. Do not drag the bed, as this can cause structural damage. Please check that the centre support rail is securely fixed in place.

When adjusting the support legs ensure that the foot is set 5mm from the floor surface without the mattress in place. When in use the legs will create the required support for the product.

Never allow any kind of liquid to remain on your furniture. Absorption can cause materials to warp or finishes to de-laminate.

To clean your item, please use a vacuum or lightly brush clean. Never allow any kind of liquid to remain on your furniture. Absorption can cause finishes to de-laminate.

Don'ts

Do not tighten screws until fully assembled.

Do not over tighten screws or bolts.

Do not drag or pull your furniture.

Do not use this product if parts are missing, damaged or worn.

Never use scourers, abrasives or chemical cleaners.

Number of people required to assemble

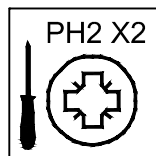
Two people are required to assemble this item



Time to assemble :1.5 hours



Tools required



not supplied

Missing parts

If you are missing any fixtures and fittings for your product please contact our customer service team on 0333 777 8999 and they will be happy to arrange for a replacement to be sent to you free of charge.

Home service technicians

If you have a fault with your product please contact our customer service team on 0333 777 8999. If you have had the product for 28 days or less you may be offered a replacement, refund or for a fully trained home service technician to visit your home to assess the fault and repair the product where possible.

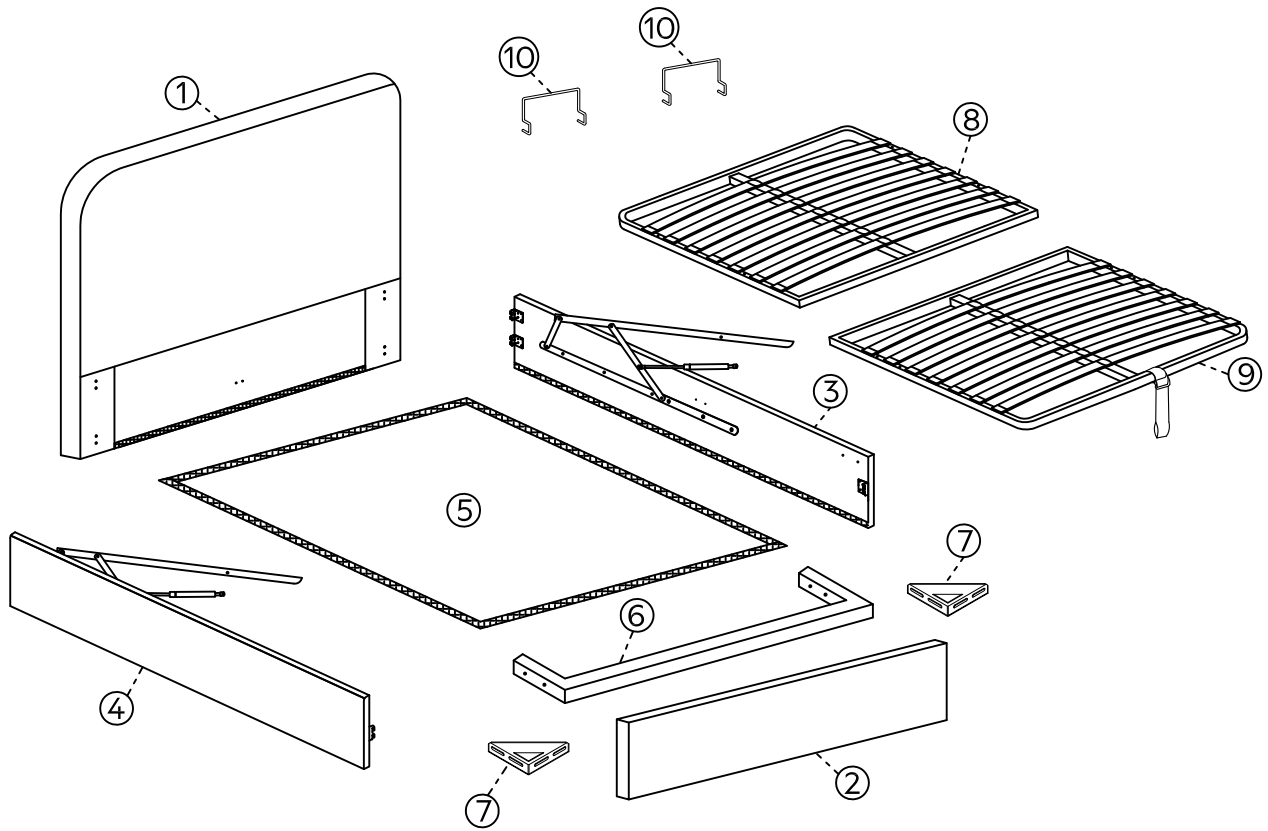
If you have had the product for more than 28 days we will send an independent home service technician to review and repair the product where possible and recommend further action.

You can write to us at

Home Customer Services
Next Retail Ltd,
Desford Road,
Leicester,
LE19 4AT,

To view our full furniture range please visit www.next.co.uk

Assembly instructions



Components supplied. Please use this guide if you require replacement parts.

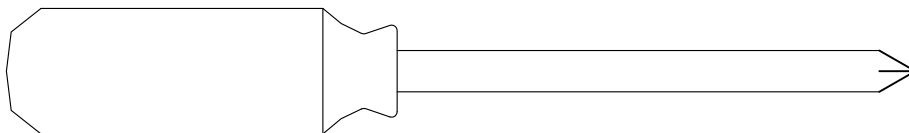
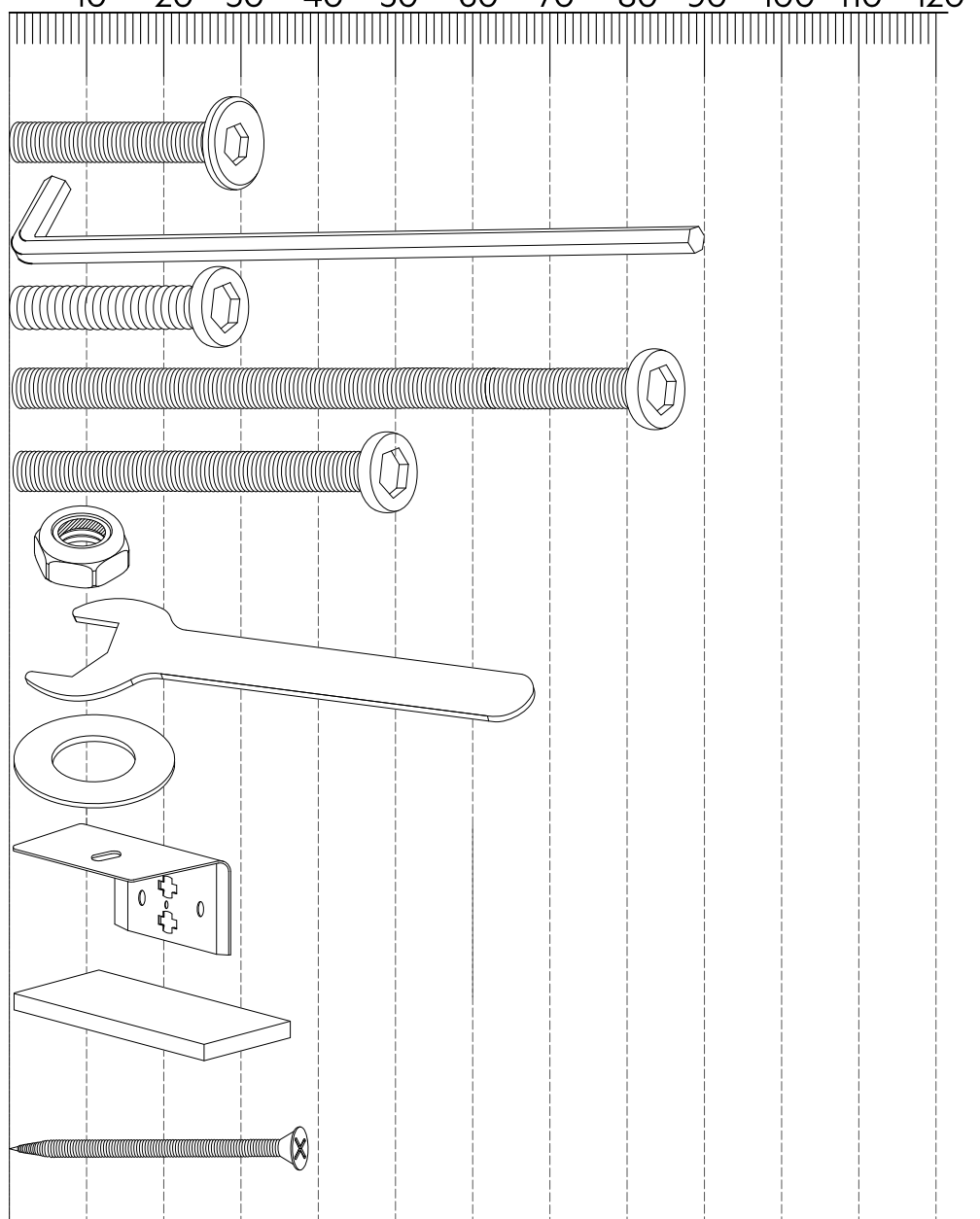
| Ref | Dimensions | Visual | Qty | Ctn |
|-----|---|--------|-----|-----|
| 1 | Headboard Double 145.5x110cm King 160.5x110cm Super King 190.5x110cm | | 1 | 1 |
| 2 | Footboard Double 143.5x40.5cm King 158.5x40.5cm Super King 188.5x40.5cm | | 1 | 2 |
| 3 | Right side rail Double 192x40.5cm King 202x40.5cm Super King 202x40.5cm | | 1 | 2 |
| 4 | Left side rail Double 192x40.5cm King 202x40.5cm Super King 202x40.5cm | | 1 | 2 |
| 5 | Non-Woven Base Cloth Double 139x195cm King 154x205cm Super King 184x205cm | | 1 | 2 |

| Ref | Dimensions | Visual | Qty | Ctn |
|-----|--|--------|-----|-----|
| 6 | Centre Supporter Double 137.3x2x11.5cm King 152.3x2x11.5cm Super King 182.3x2x11.5cm | | 1 | 2 |
| 7 | Brackets (17.5x17.8x4cm) | | 2 | 2 |
| 8 | Slat frame Double 94.75x134cm King 99.75x149cm Super King 99.75x179cm | | 1 | 3 |
| 9 | Slat frame Double 94.75x134cm King 99.75x149cm Super King 99.75x179cm | | 1 | 3 |
| 10 | Mattress holder (20.6x12.2x3.6cm) | | 2 | 2 |

Assembly instructions

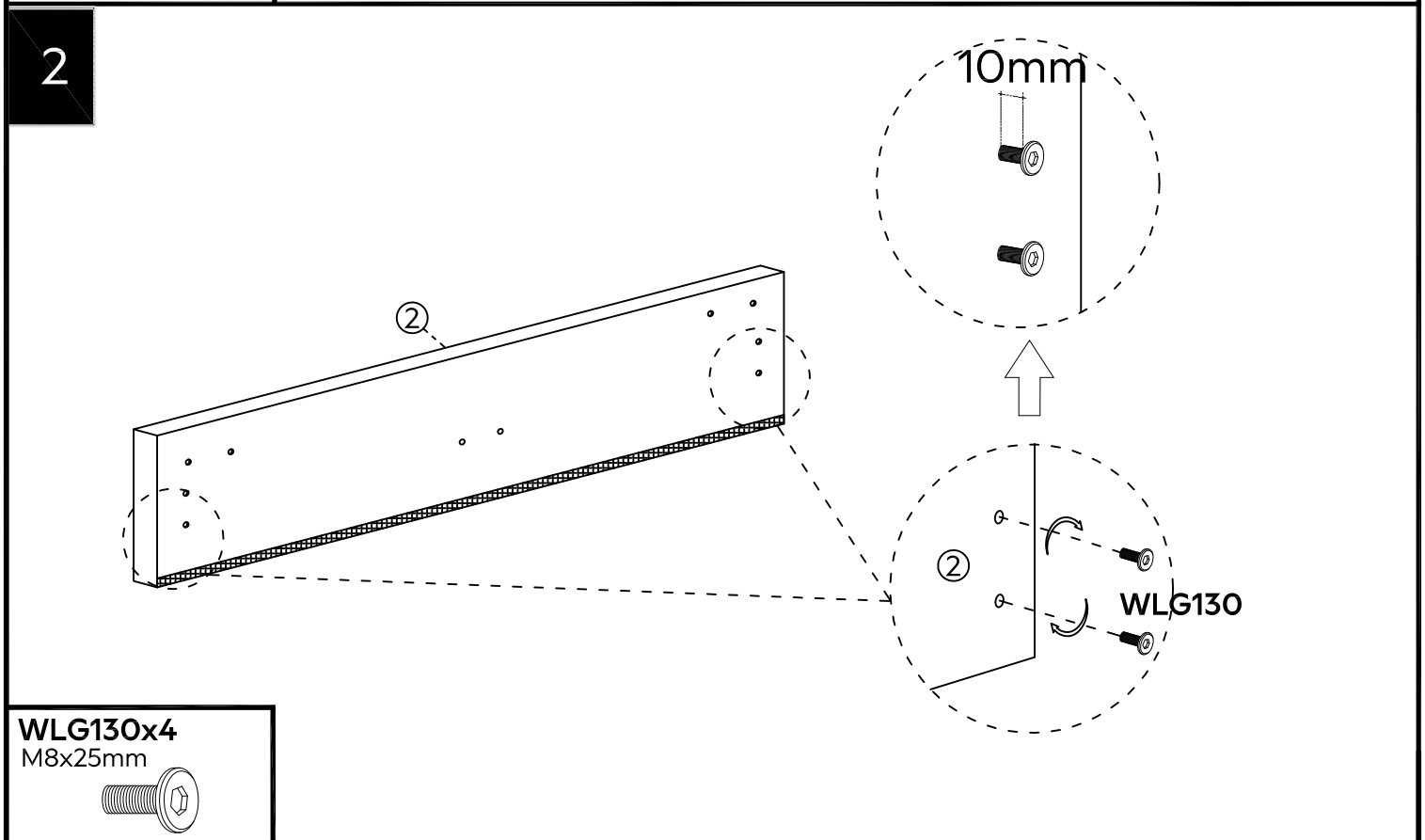
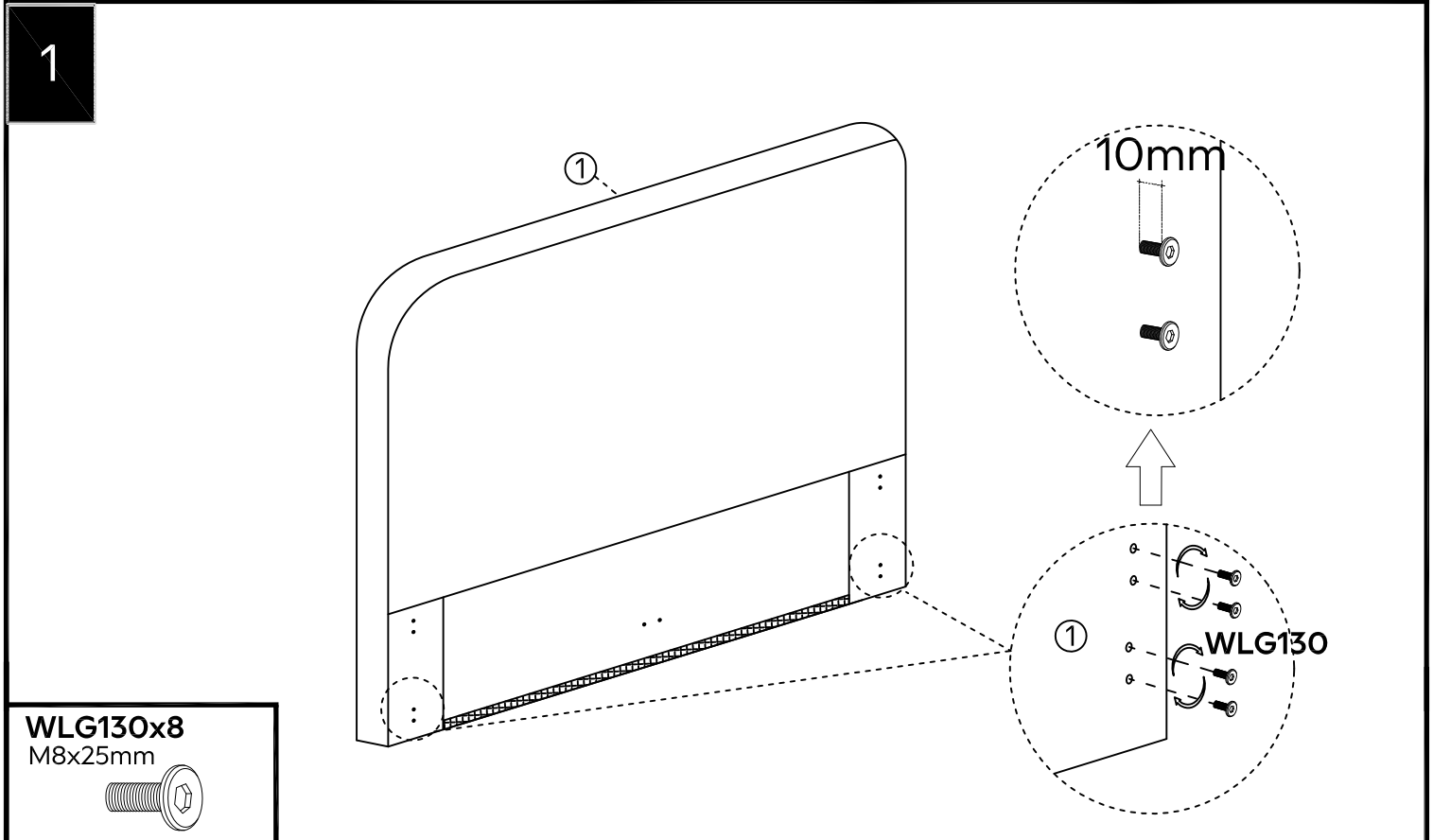
10 20 30 40 50 60 70 80 90 100 110 120

| Ref | Dimensions | Qty |
|--------|------------|-----|
| WLG130 | M8x25mm | 12 |
| WBS12 | M5x90mm | 2 |
| WLG108 | M8x25mm | 12 |
| WLG136 | M8x80mm | 4 |
| WLG119 | M8x45mm | 8 |
| WLM30 | M8 | 12 |
| WBS13 | Ø13 | 2 |
| WDP26 | M8x22mm | 32 |
| WJM74 | 70x43x46mm | 2 |
| WBZB12 | 40x20x3mm | 7 |
| WLS49 | M5x40mm | 4 |



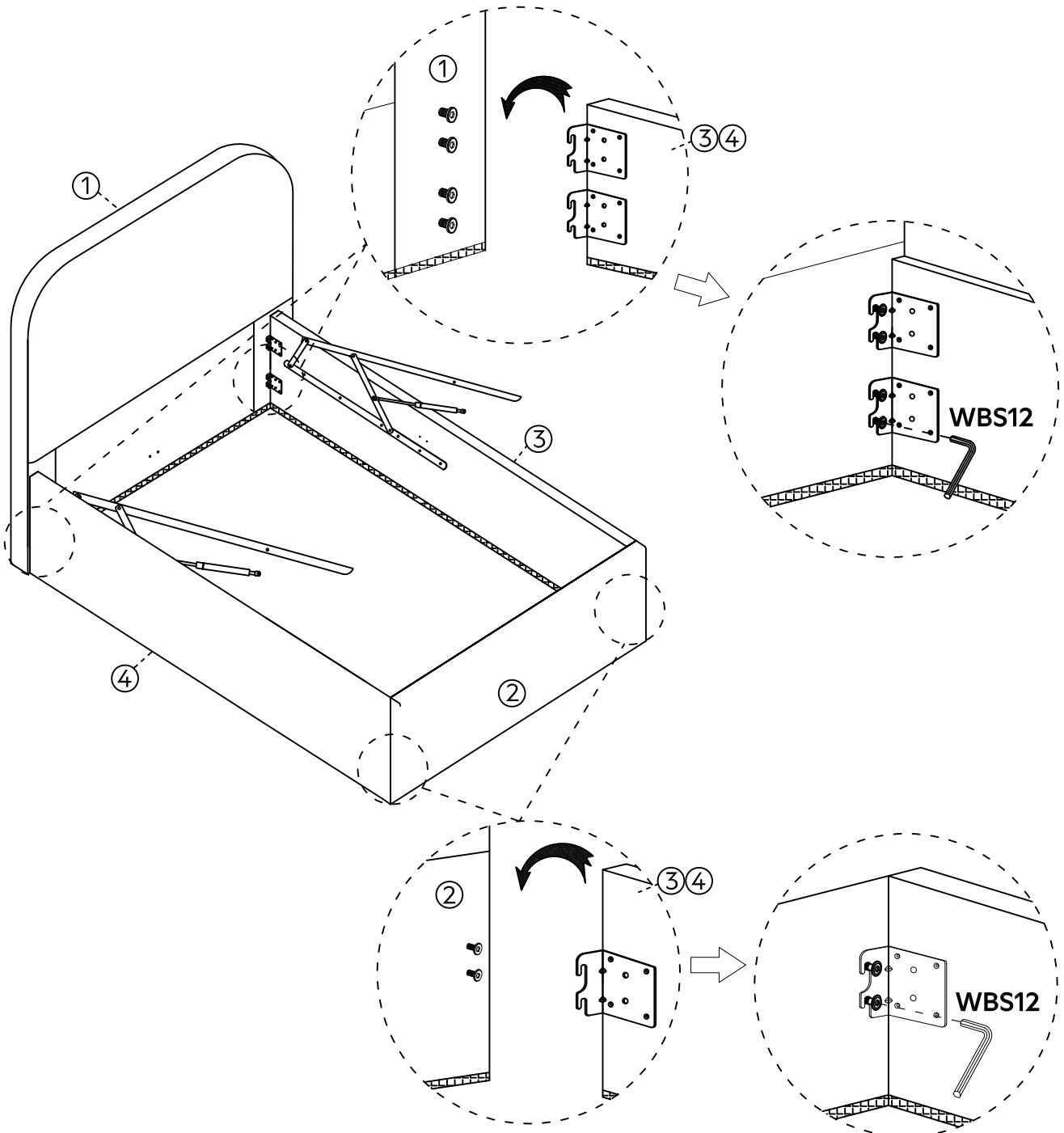
PH2x2 NOT SUPPLIED

Assembly instructions



Assembly instructions

3

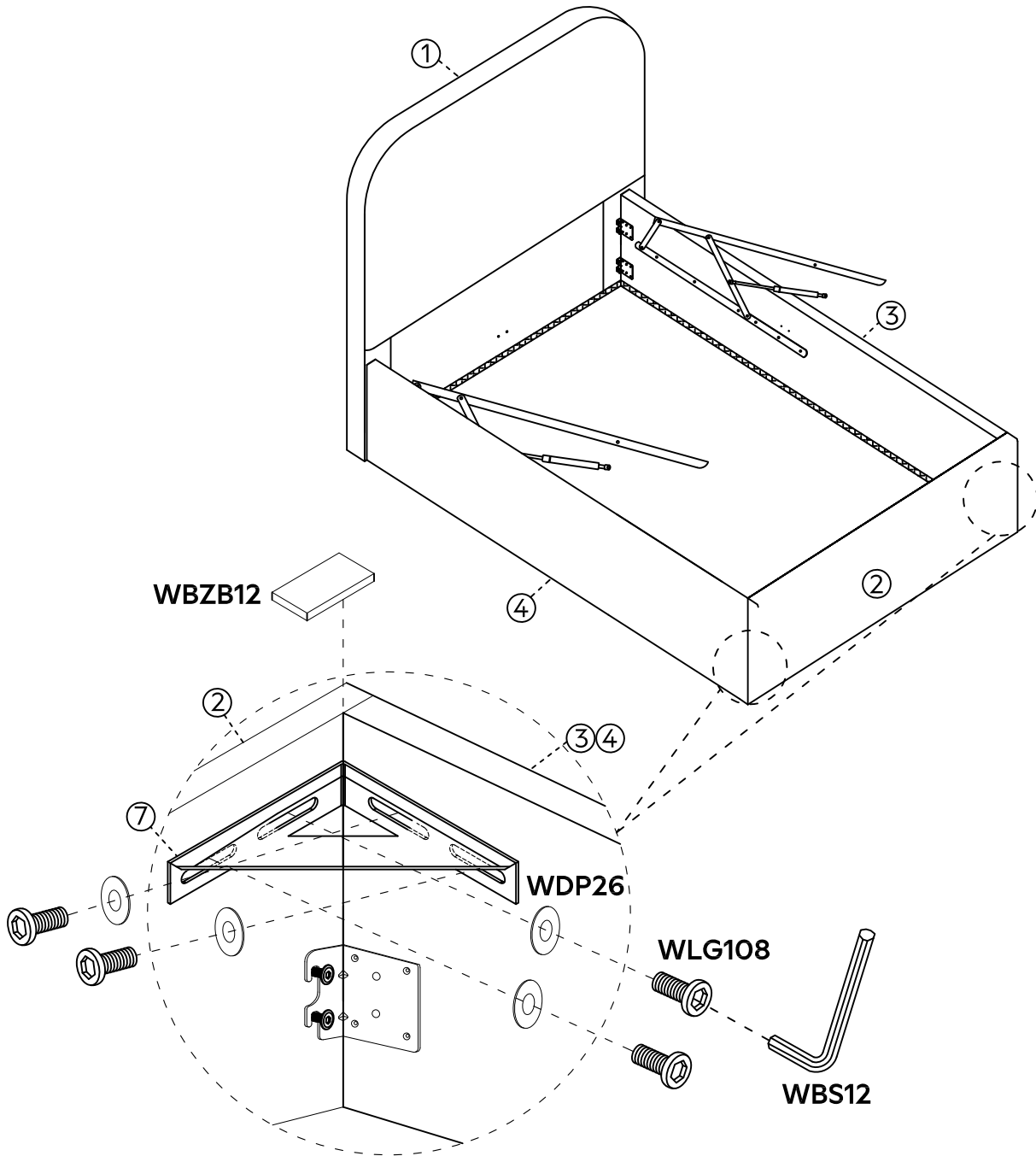


WBS12x2
M5x90mm



Assembly instructions

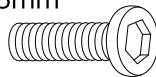
4



WBS12x2
M5x90mm



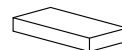
WLG108x8
M8x25mm



WDP26x8
M8x22mm

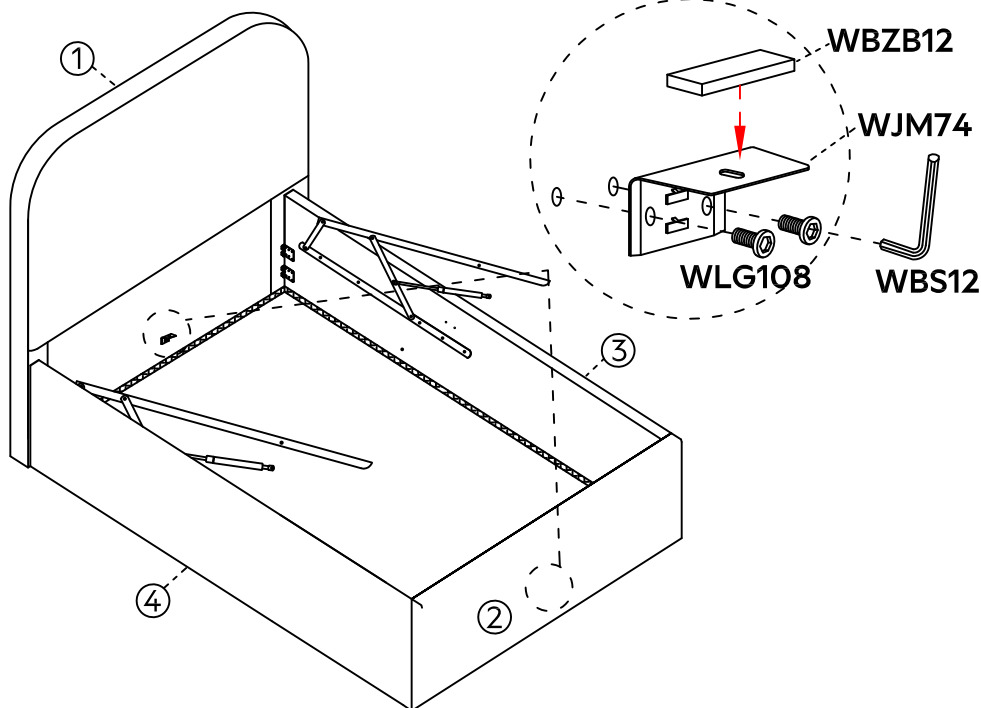


WBZB12x2
40x20x3mm



Assembly instructions

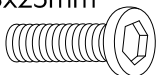
5



WBS12x2
M5x90mm



WLG108x4
M8x25mm



WJ M74x2
70x43x46mm

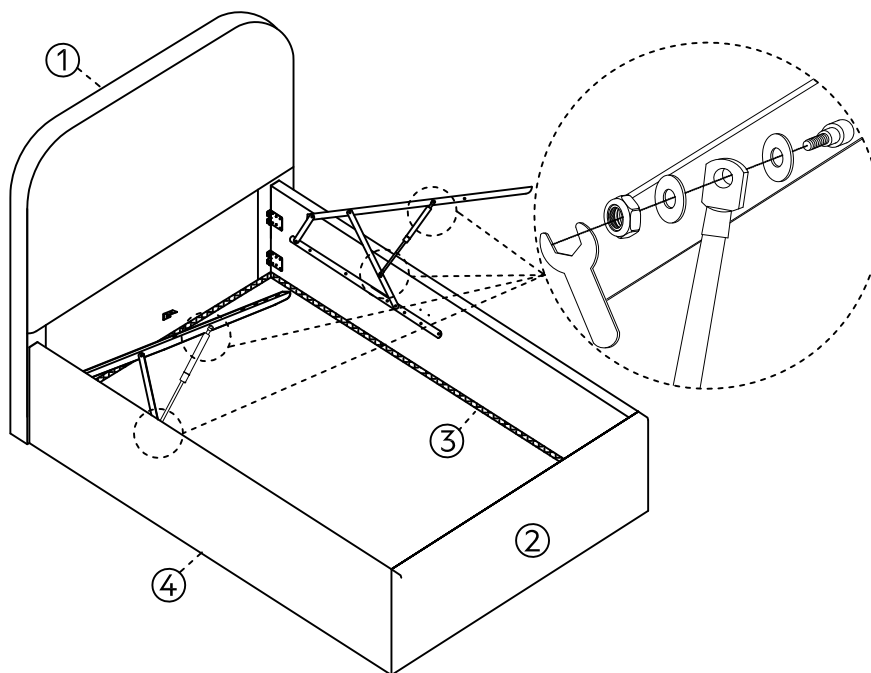


WBZB12x2
40x20x3mm

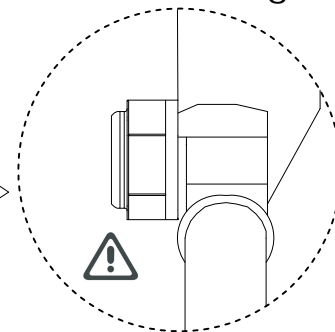


6

NOTE: THE NUTS AND WASHERS ARE ALREADY IN POSITION ON THE BRACKET
Un-tie mechanism, take out the transit protection block, connect the piston arm to the raising mechanism by removing and retightening nuts and washers until the nylon locknut is engaged on the threaded bar. Repeat on both sides!



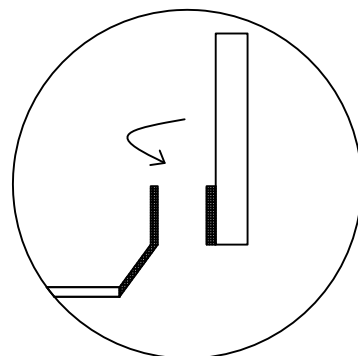
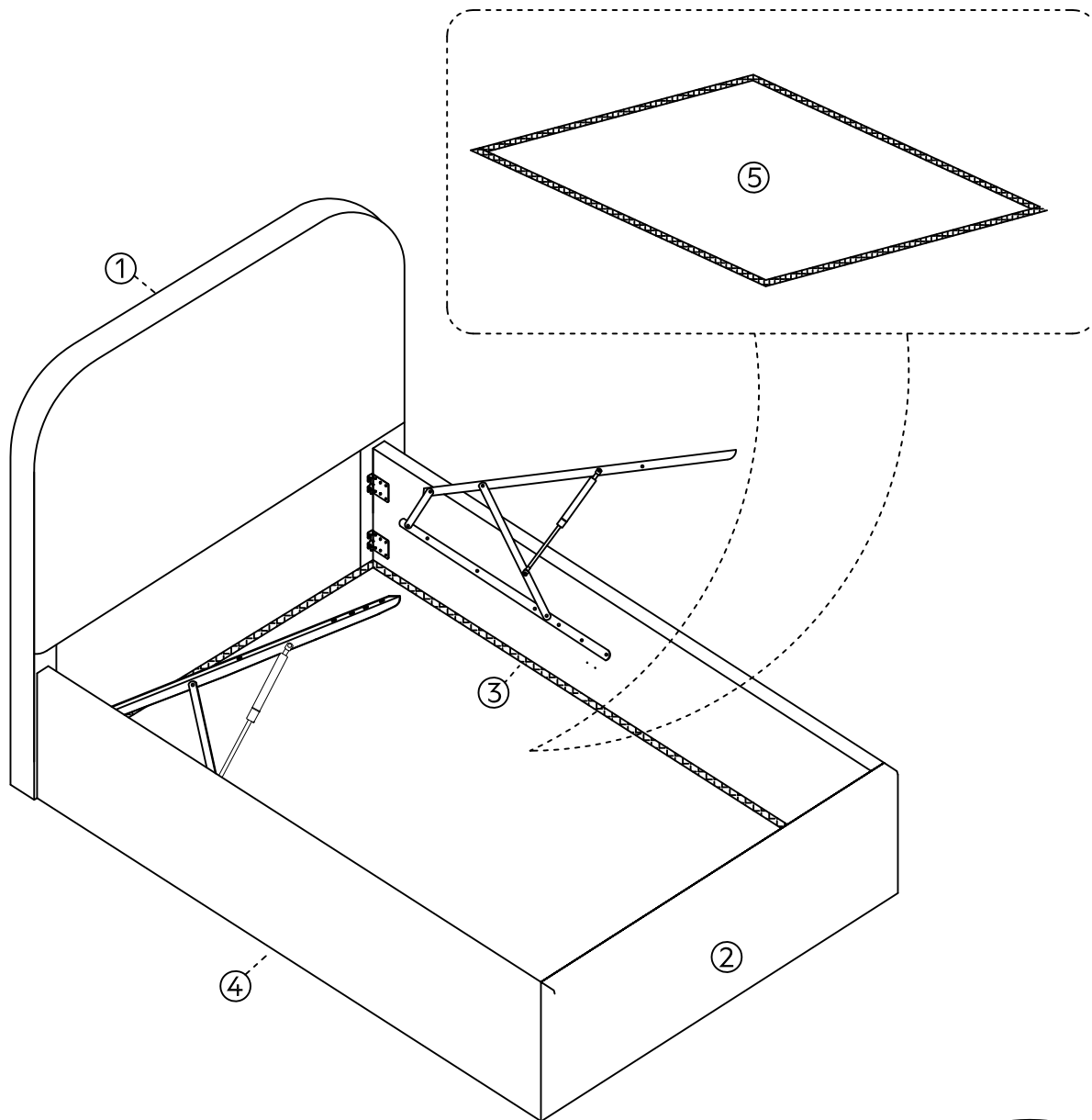
Please Note:
Do not over-tighten.



After tightened.

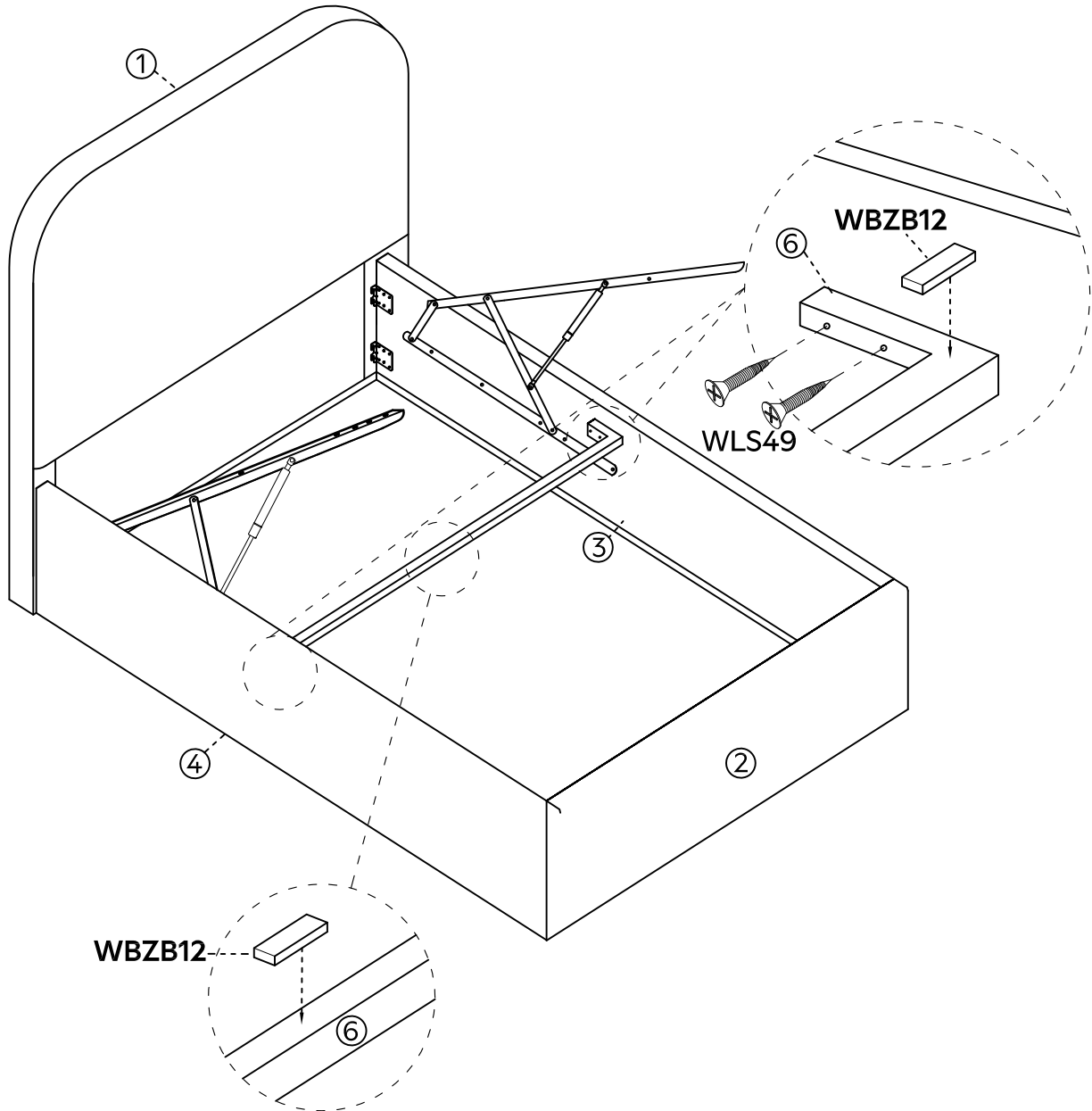
Assembly instructions




7



Assembly instructions

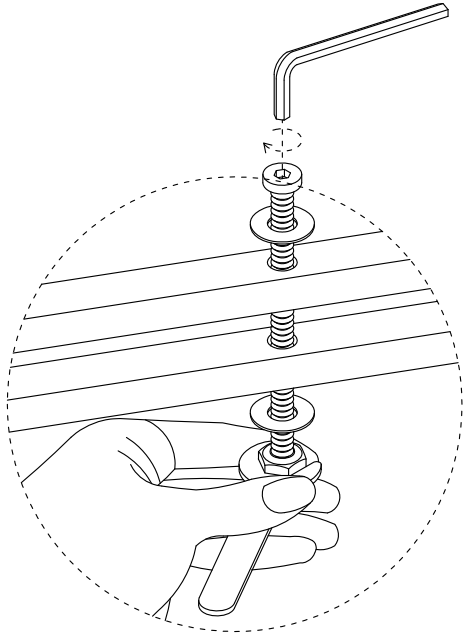
8



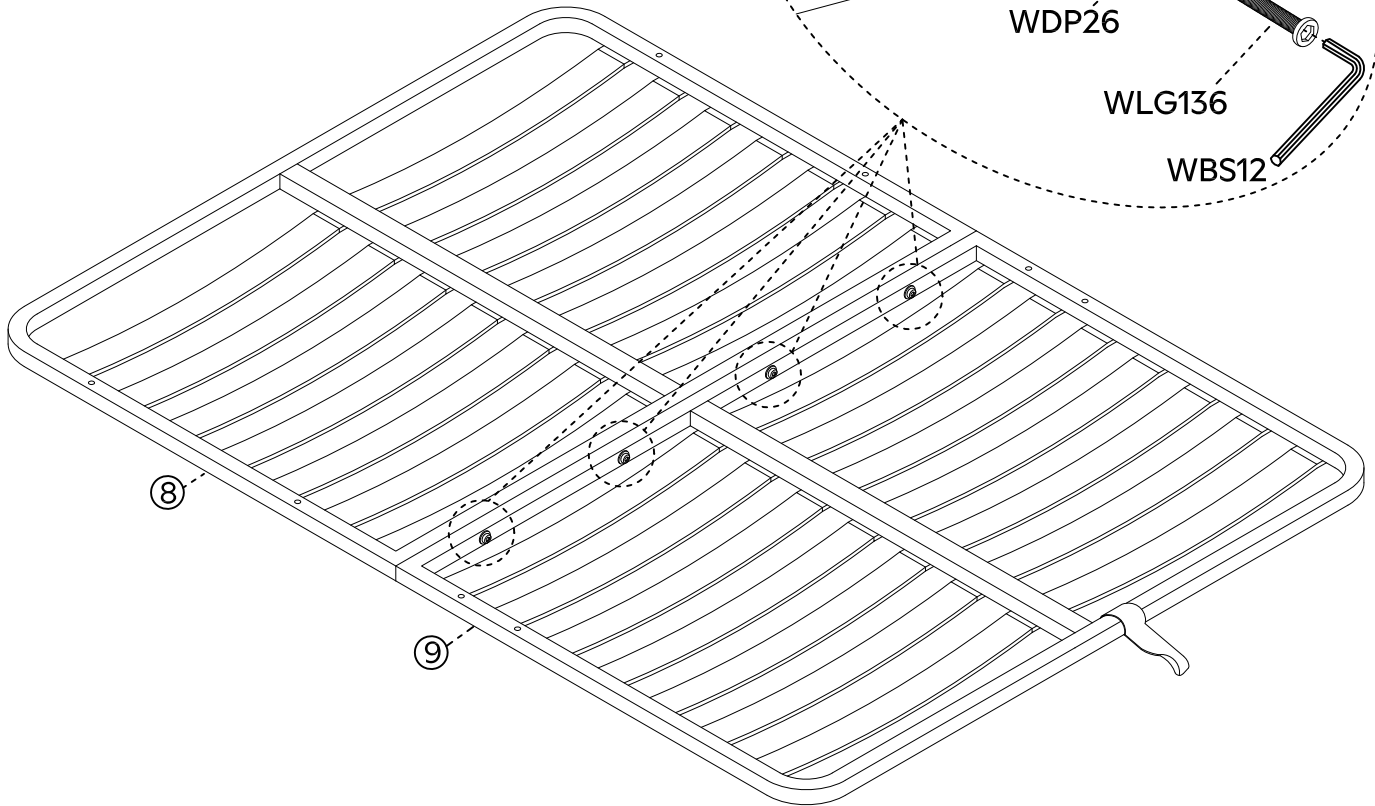
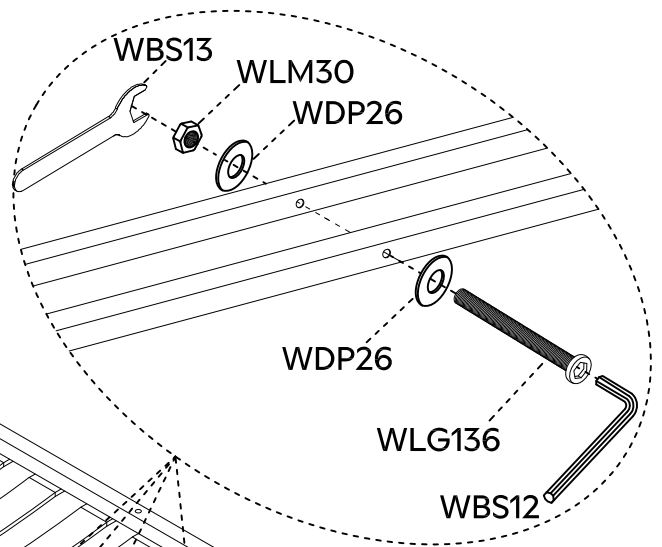
| | | |
|---|---|--|
|  PH2 not supplied |  WLS49x4 M5x40mm |  WBZB12x3 40x20x3mm |
|---|---|--|

Assembly instructions

9



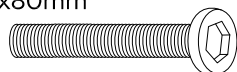
Fix the nut (WLM30) at one end of bolt (WLG136) by using spanner (WBS13), then tighten the bolt (WLG136) by using allen key (WBS12).



WBS12x2
M5x90mm



WLG136x4
M8x80mm



WDP26x8
M8x22mm



WLM30x4
M8

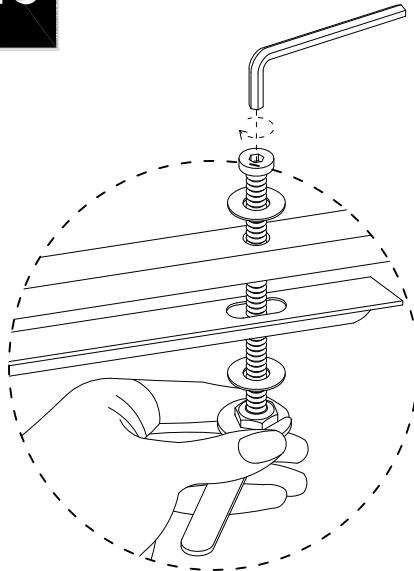


WBS13x2
Ø13

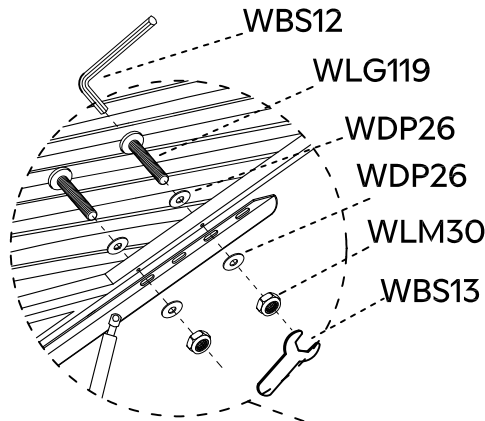


Assembly instructions

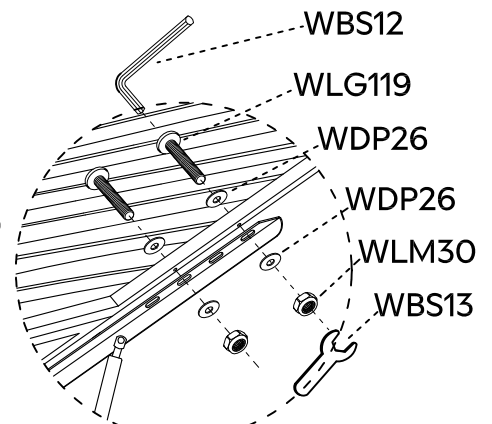
10



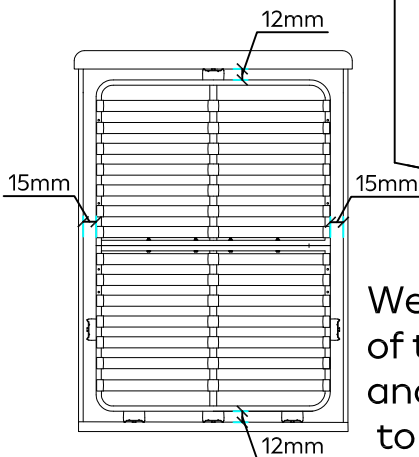
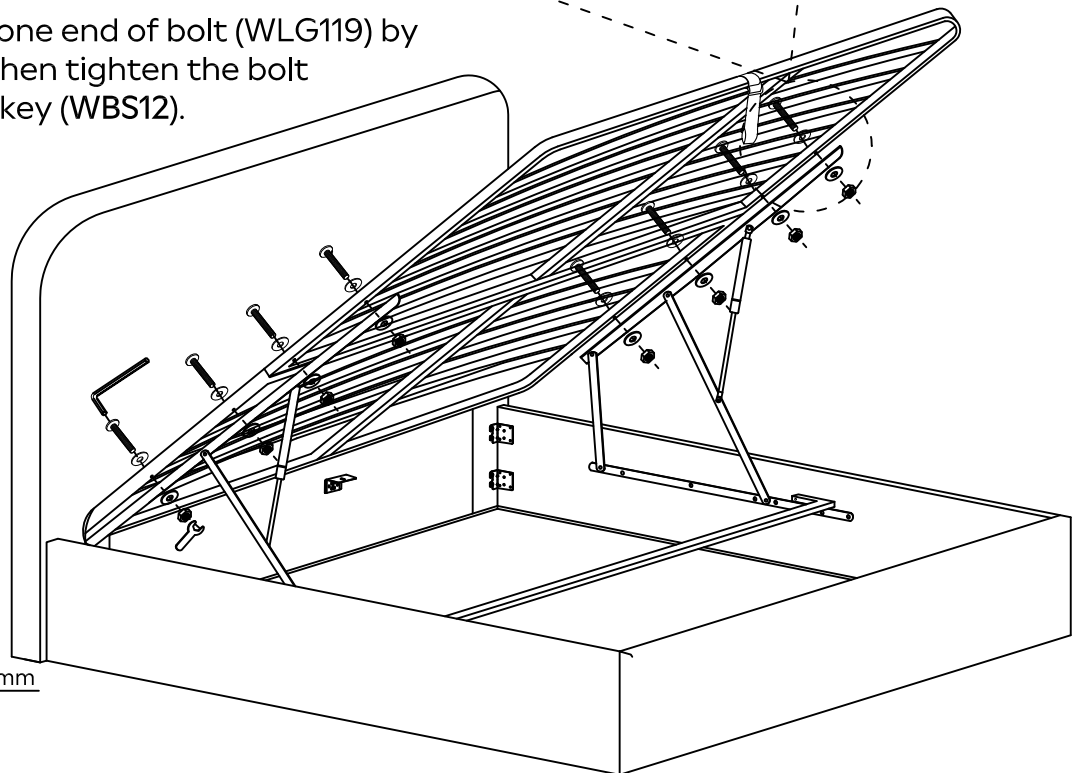
Double



King/Super king



Fix the nut (WLM30) at one end of bolt (WLG119) by using spanner (WBS13), then tighten the bolt (WLG119) by using allen key (WBS12).



We suggest to assemble the slat frame in the middle position of the bed and try to keep 15mm distance on both side rails and keep 12mm distance on headboard and footboard, need to be equidistant.

WBS12x2
M5x90mm



WLG119x8
M8x45mm



WLM30x8
M8



WDP26x16
M8x22mm



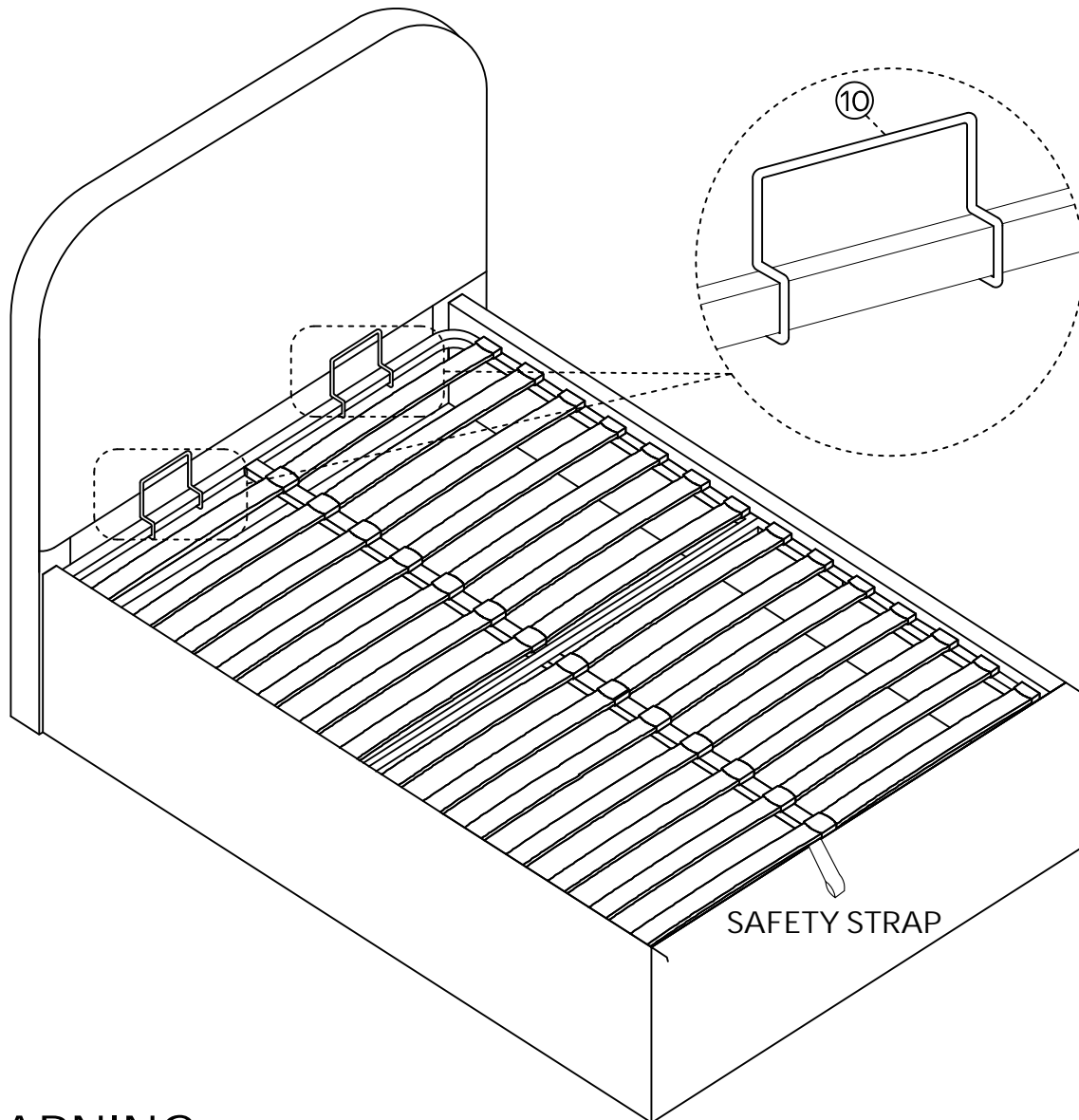
WBS13x2
Ø13



Assembly instructions

11

Warning: When you need to move the bed please lift it, do not drag it.



WARNING
SAFETY STRAP/ HANDLE
MUST BE POSITIONED IN THE CENTRE OF THE BED FRAME
ALWAYS USE THE SAFETY STRAP/HANDLE TO OPEN.

Overall Dimensions (WxLxH cm)

Double: 145.5 x 205 x 110/40.5

King: 160.5 x 215 x 110/40.5

Super King: 190.5 x 215 x 110/40.5

Internal Dimensions (WxL cm)

137 x 192

152 x 202

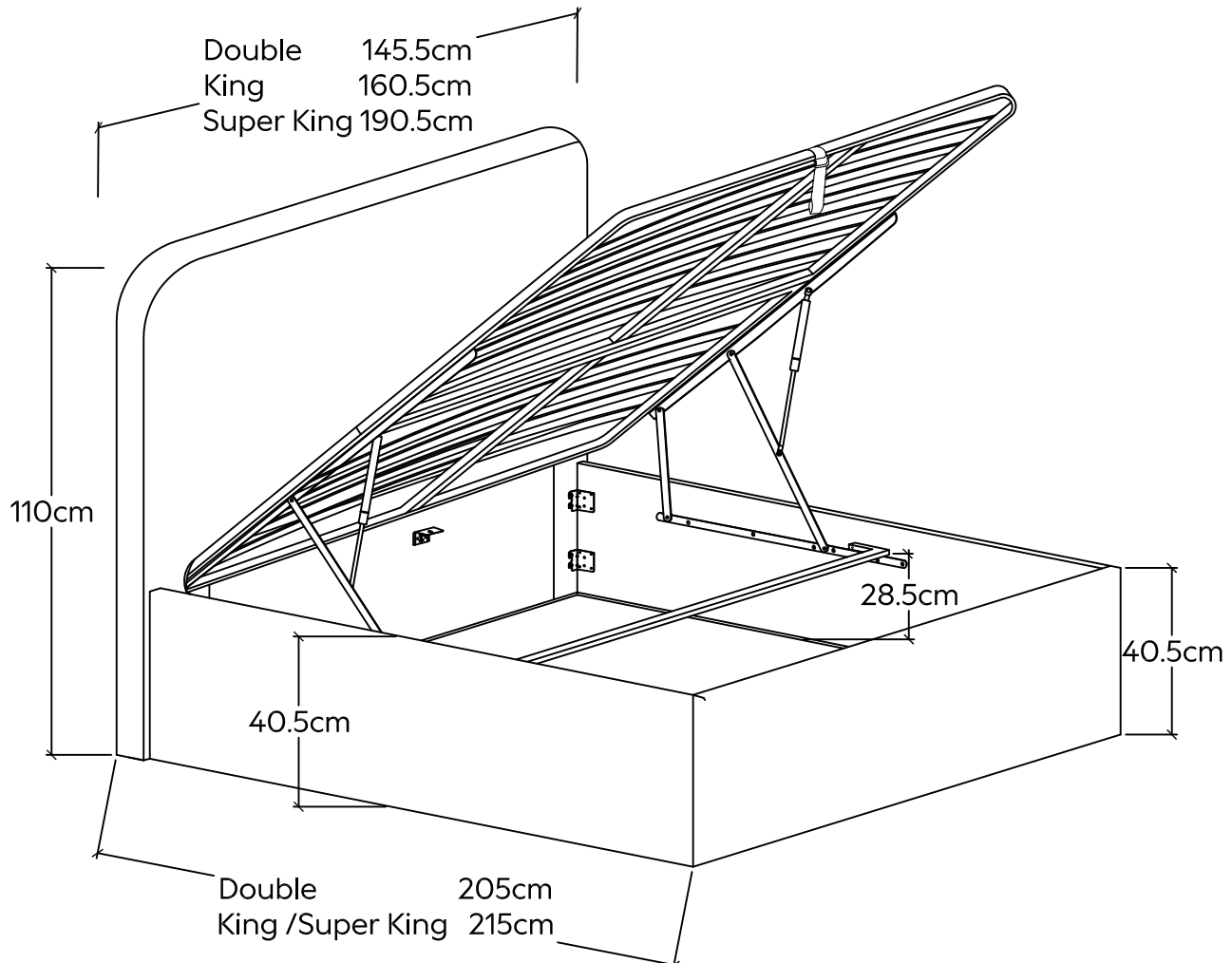
182 x 202

Delivery Box Size (HxWxD cm)

| | Double | King | Super King |
|------|------------|------------|------------|
| Box1 | 10x150x112 | 10x165x112 | 10x195x112 |
| Box2 | 20x206x42 | 20x216x42 | 20x216x42 |
| Box3 | 13x137x97 | 13x152x102 | 15x182x102 |

Storage (Litres)

| Double | King | Super King |
|--------|------|------------|
| 749 | 875 | 1047 |



IMPORTANT OTTOMAN SAFETY WARNINGS

- IMPORTANT – READ CAREFULLY – RETAIN FOR FUTURE REFERENCE
- You must ensure that the mattress is on the bed frame before operating the lift mechanism – Failure to do so could result in injury.
- Keep hands clear of the mechanism when opening or closing the ottoman.
- Beware of entrapment – Never reach in through the mechanism to access the storage area.
- Always ensure that the ottoman is FULLY opened before accessing the storage area.
- Do not reach into the storage area through the hinge mechanism.
- Do not exceed the maximum weight as specified in the table below:



| Bed Size | Min Weight (kg) | Max Weight (kg) |
|------------|-----------------|-----------------|
| Double | 20 | 60 |
| King | 25 | 70 |
| Super King | 30 | 85 |

- Use caution when operating, always use the handle when lifting
- Note: This bed uses a pressurised mechanism.
- To be operated by adults only
- Please ensure that children and pets are kept away from the bed when operating the lift mechanism.
- Keep children and pets away from the storage area.
- No children or animals are left unattended when the frame is in the 'up' position.
- Do not overload the internal storage base.
- Do not stand inside the internal storage area of the bed
- Before removing the mattress secure the frame to ensure it does not open unexpectedly.
- Do not attempt to lie on the mattress when the ottoman is in the raised position.
- When lifting the ottoman remove all bedding except the fitted sheet.
- Depending on the weight of the mattress, the rising speed will vary so be careful until you get used to the speed.
- NOTE: When fully assembled and the mattress is in position, please raise and lower the ottoman 4 / 5 times to ensure the gas pistons are fully lubricated.