

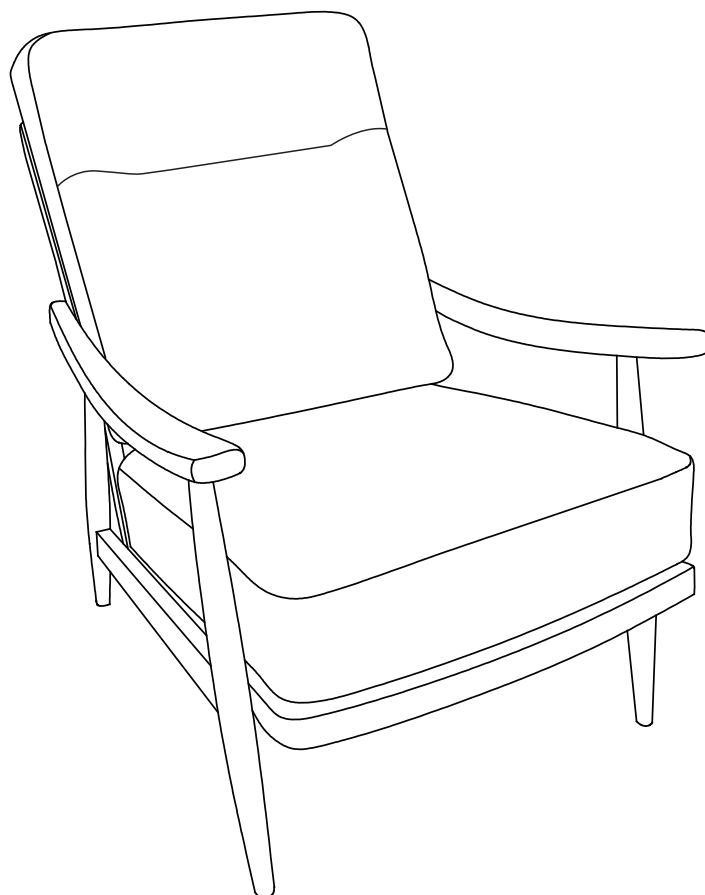
NEXT

HAMPTON HIGH BACK CHAIR H13967-W30822-V35263

Assembly instructions

Actual product size

H100×W71×D94.5cm



Need Help ?

With: Assembly instruction
Missing or damaged parts

CALL: 0333 777 8999

IMPORTANT - RETAIN FOR FUTURE REFERENCE

BEFORE YOU START

Number of people required to assemble

One people are required to assemble this item

Time to assemble: 30 minutes



Item No.	Fabric name - leg	Fabric composition
H13967	RELAXED CHENILLE FOREST GREEN -WALNUT FRAME	100% polyester
W30822	FINE CHENILLE SAND-LIGHT OAK FRAME	100% polyester
V35263	COTSWOLD CHENILLE DARK BLUE-WALNUT FRAME	100% polyester

Do's

We suggest you spend a short time reading through this leaflet before you start. When you are ready to start, make sure that you have the right tools and plenty of space.

Unwrap all packaging materials and place the components on a clean surface to protect it from damage. We recommend that the packaging is used to protect the surfaces during assembly.

Carefully check that you have all the parts before beginning assembly. Ensure the product is fully assembled as illustrated and all fixings fully tightened before use. Check fixings regularly to ensure they remain tight.

Always wipe dry after cleaning.

To clean your item, please use a soft cloth slightly dampened with water and wipe clean. Then buff with a dry clean cloth.

Dont's

Never allow any kind of liquid to remain on your furniture. Absorption can cause wood to warp or finishes to de-laminate.

Do not stand or lean back on your chairs.

Do not use silicone based furniture polish. Silicone in furniture polishes can break down the lacquer finish.

Missing parts

If you are missing any fixtures and fittings for your product.. Please contact our customer service team on 0333 777 8999 and they will be happy to arrange for a replacement to be sent to you free of charge.

Warnings

We suggest you retain these instructions for future reference.

Keep fittings out of children's reach and keep children well away from construction area. This product should only be used on firm level ground Please periodically check all fittings and re-tighten as necessary.

Avoid exposing the furniture to excessive heat or direct sunlight as this can cause cracking of the wood and deterioration of the colour.

Unwrap all packaging materials and place the components on top of the carton box or on a clean floor to protect it from damage.

Home Service Technicians

If you have a fault with your product, please contact our customer service team on **0333 777 8999**. If you have had the product for 28 days or less you may be offered a replacement, refund or for a fully trained home service technician to visit your home to assess the fault and repair the product where possible. If you have had the product for more than 28 days we will send an independant home service technician to review and repair the product where possible and recommend further action.

You can write to us at

Home Customer Services
Next Retail Ltd
Desford Road,
Leicester,
LE19 4AT

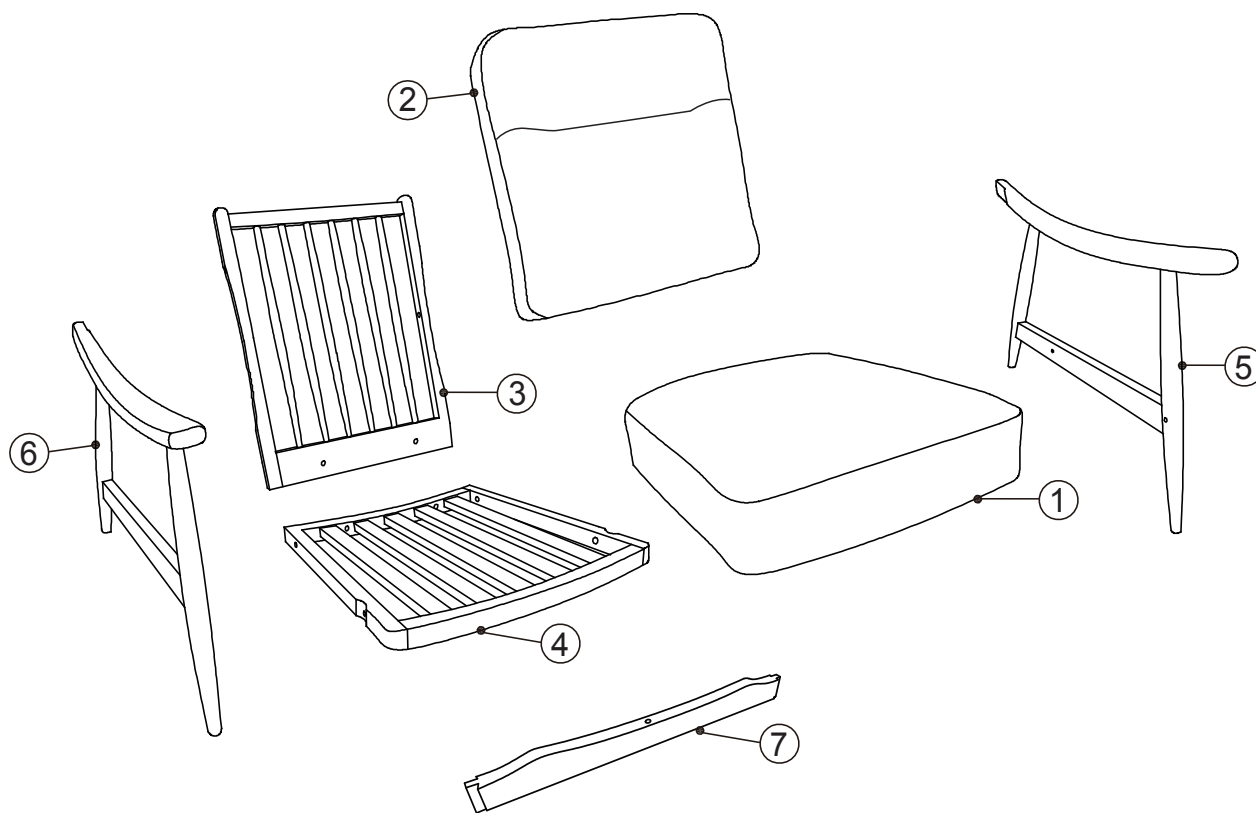
To view our full furniture range please visit www.next.co.uk

Need Help ?



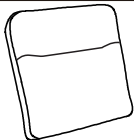




With: Assembly instruction
Missing or damaged parts

CALL: 0333 777 8999

GETTING TO KNOW YOUR PRODUCT



Components supplied. Please use this guide if you require replacement parts.

Ref	Dimension	Visual	Qty	Ref	Dimension	Visual	Qty
1	Seat bag: H18.5xW61xD66CM		1	5	Left Arm: H7xW75xD60CM		1
2	Back bag: H15xW60xD61CM		1	6	Right Arm: H7xW75xD60CM		1
3	Back panel: H5.5xW62xD78.5CM		1	7	Cross rail: H7xW75xD60CM		1
4	Base panel: H5.5xW58xD59CM		1				

HAMPTON HIGH BACK CHAIR

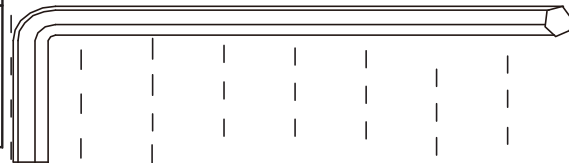
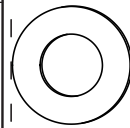
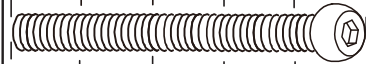
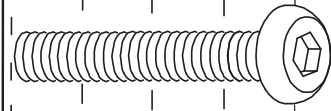
V35263-H13967-W30822

Assembly instructions

Fixtures and fittings
supplied (actual size)

Ref	Dimension	Qty	Spare
A	M8x40mm	9	1
B	M6x45mm	2	1
C	17mm	6	1
D	6 x 80mm	1	0

mm 10 20 30 40 50 60 70 80 90 100 110 120 130 140 150 160






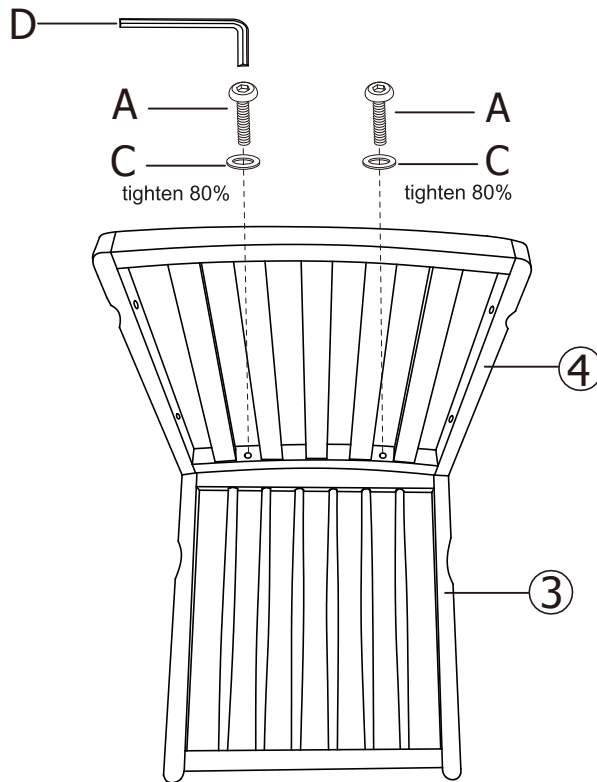
HAMPTON HIGH BACK CHAIR

V35263-H13967-W30822




Assembly instructions

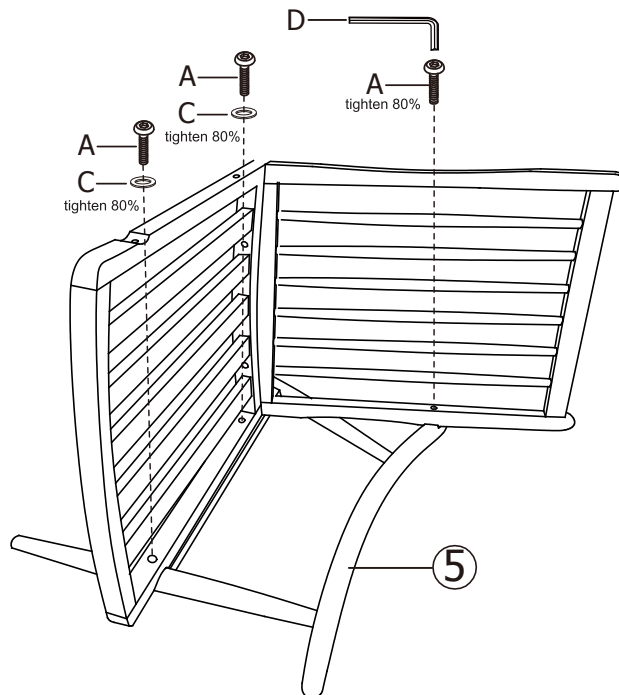
1.

A x 2 M8x40mm

C x 2 17mm

D x 1 6x80mm




2.

A x 3 M8x40mm

C x 2 17mm

D x 1 6x80mm







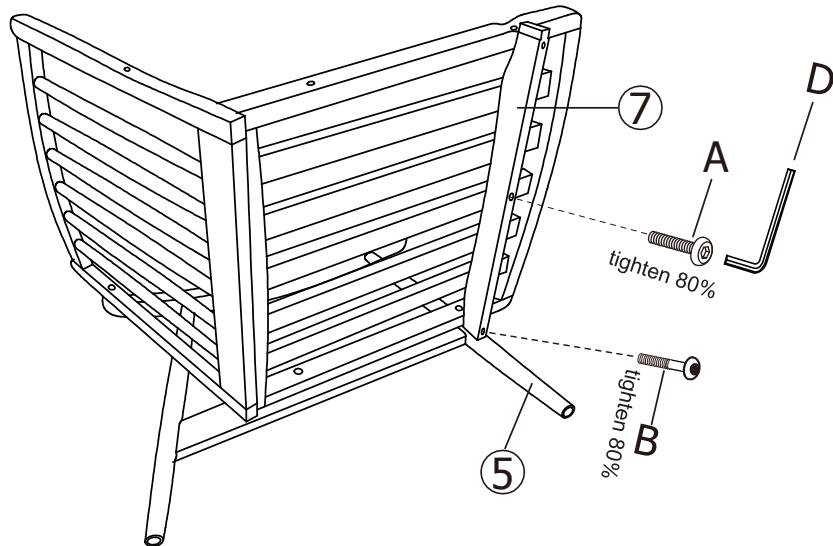
HAMPTON HIGH BACK CHAIR

V35263-H13967-W30822




Assembly instructions

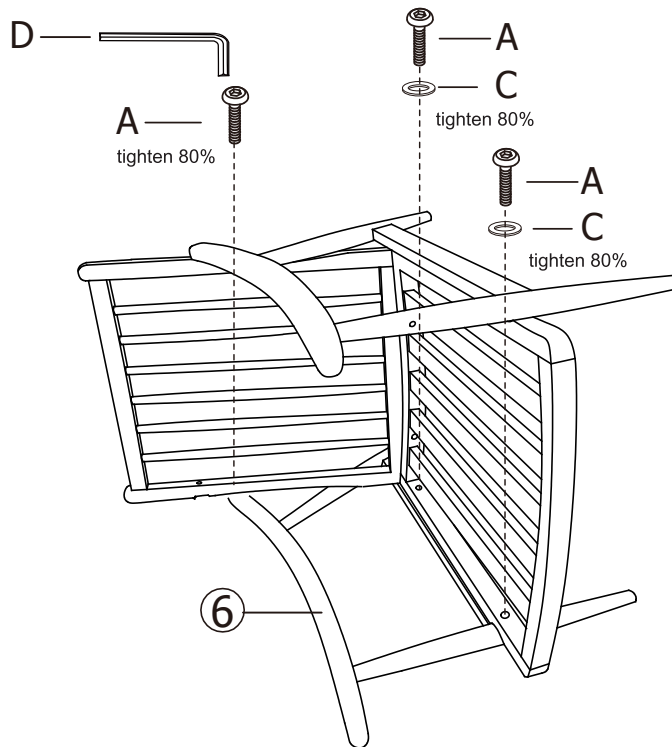
3.

A x 1 M8x40mm

B x 1 M6x45mm

D x 1 6x80mm




4.

A x 3 M8x40mm

C x 2 17mm

D x 1 6x80mm


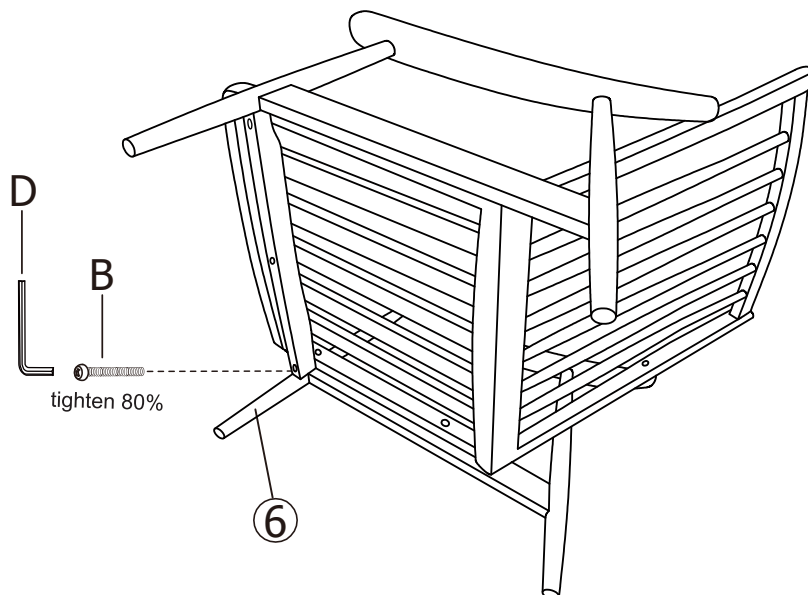
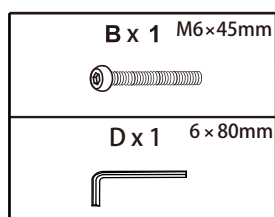


HAMPTON HIGH BACK CHAIR

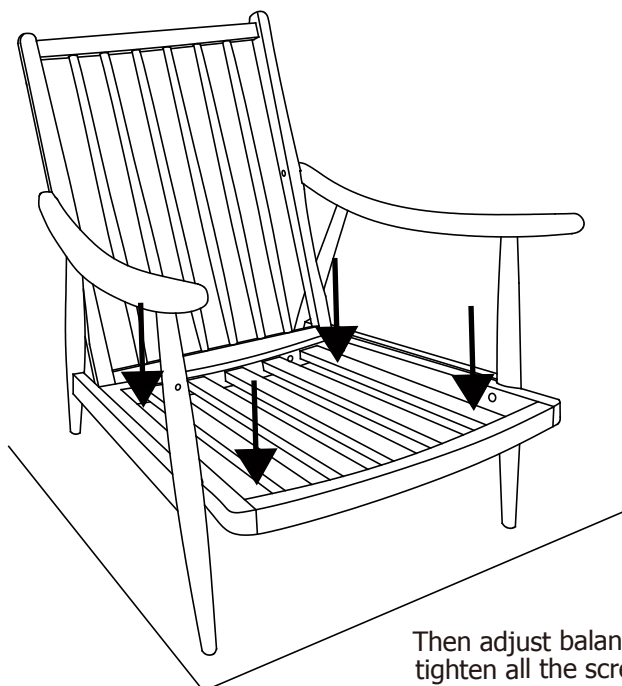
V35263-H13967-W30822

Assembly instructions

5.



6.



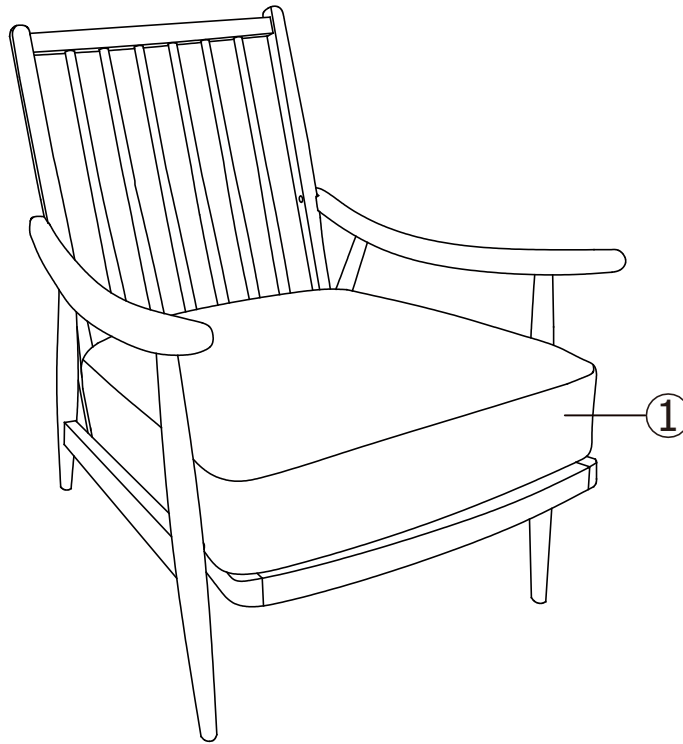
Then adjust balance of this chair,
tighten all the screws to 100%.

HAMPTON HIGH BACK CHAIR

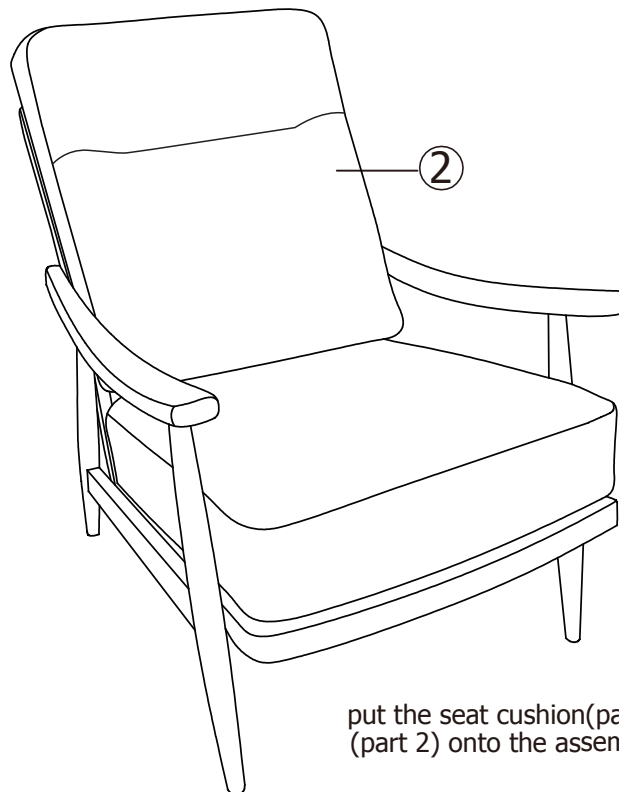
V35263-H13967-W30822

Assembly instructions

7.



8.



put the seat cushion(part 1) and backrest cushion (part 2) onto the assembled chair frame.

NEXT

HAMPTON HIGH BACK CHAIR

H13967-W30822-V35263

Assembly instructions

Actual product size

H100×W71×D94.5cm

CAUTION: Maximum weight capacity of this chair is 130kg.

