

LAURA ASHLEY

IL4967

PRODUCT SPECIFICATION

Charge Voltage:	5 Volts DC Charge cable provided USB A to USB-C
Lamp Type:	LED (Light Emitting Diode)
Material:	Glass/Metal/Plastic
Battery Type:	Li-on Lithium ion (not replaceable)
Battery Charge Time:	Fast-Charge (10 watts) approx. 3 hours. Standard charge (5 watts) approx. 6 hours
Usage Time:	Approx. 6-7 hours from fully charged. (100 % brightness)
IP Rating:	IP20 (Indoor)
LED Light Output:	245Lm, 3,000K
Parts Included:	LED table lamp, USB-C Charge cable. <i>(Cable supplied – other proprietary cables may not work with this product may not work with this)</i>



ATTENTION!

- * LED unit is supplied and fitted with Li-ion battery.
- * Replaceable (LED light source and batteries only) by a professional.
- * If charge cable is damaged it must be replaced.
- * Improper opening of the device, tampering or changes to the product will invalidate the warranty.
- * Use only recommended power source and adaptor.
- * For indoor use only.
- * Do not submerge this LED product into water.
- * When not in use ensure USB charging socket does not get filled debris entering socket.
- * Do not subject LED product to excessive heat particularly at the top where the battery is located.
- * If the battery drains quicker than previously after full charge is indicated, it is reaching end of its useful life span.

*

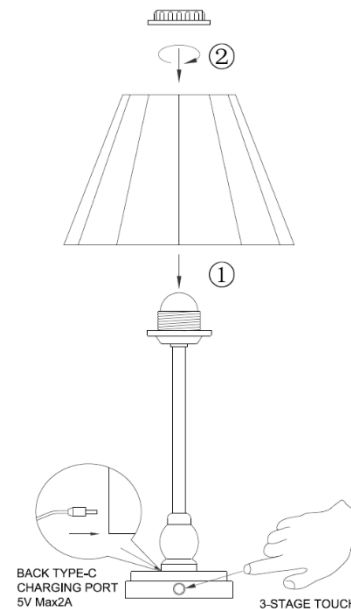


This product contains LED circuit and Li-ion battery, dispose of these safely at their end of life.

— Please obtain disposal advice from your local authority.

OPERATION


- Before first use charge the battery fully.
- Plug USB-C charge cable into USB-C port at the rear of the table lamp, whilst charging a RED LED light near charge port will illuminate. When fully charged the indicator will change to GREEN.
- After the LED light is fully charged and the charge indicator LED is illuminating GREEN, unplug the cable and store for safe keeping. Charging time will be dependent on how much charge is in the battery at the time of charging.
- Tap the touch-pad button located at the front of the unit to turn the LED lamp on and repeat to toggle through the brightness settings.



LAURA ASHLEY

IL4967

BATTERY SAFETY PRECAUTIONS

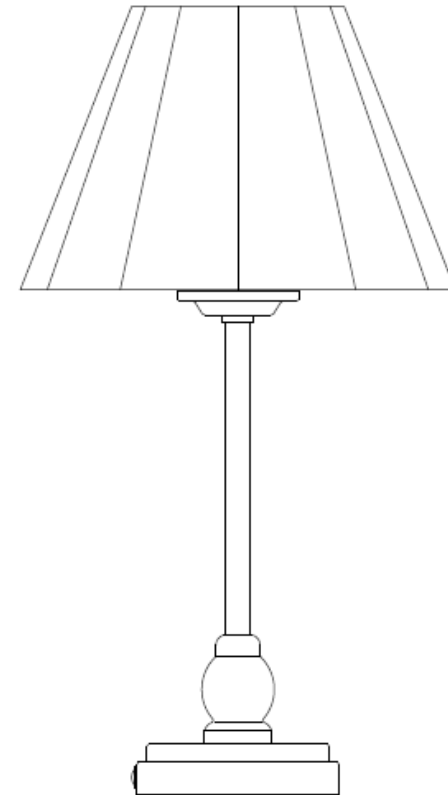
- The battery must only be charged using a USB charger (standard or Fast-Charge)
- The product may only be charged with USB A to USB-C charger lead. (supplied)
Important: some proprietary charge cables may not be compatible for use with this product.
- Do not attempt to disassemble, alter or apply heat to the battery!
- In case of leakage, do not allow liquid to come into contact with skin. If liquid is spilt on clothes or skin immediately wash off with water.
- Should skin problems occur after handling this product, contact a doctor.
- Always unplug the LED unit from the charger when it is fully charged or when not in use.
- When the product is stored under 25 degrees Celsius it can be left for up to 5 months. If left for longer than this period, make sure to charge it fully again.
- This product contains a light source of energy efficiency class 

To maintain a longer battery life, we recommend you allow the battery to deplete at least once a month and then fully charge it before use.

TROUBLE SHOOTING

Should you experience any difficulties, check the fault types below:

FAULT	POSSIBLE CAUSE	SOLUTION
Unit does not work	<ul style="list-style-type: none">• LED unit might have been switched off.• Battery depleted.	<ul style="list-style-type: none">• Make sure switch located on the top of the light is depressed to switch it on.• Charge the battery using USB A to USB-C lead supplied and allow the LED light to turn to green.
Battery not taking charge	<ul style="list-style-type: none">• Battery depleted.• Connection issue	<ul style="list-style-type: none">• Connect charge cable and plug this into USB charger and make sure charge indicator is illuminated.• Unplug the charge adaptor and reconnect.
Battery gets depleted quickly.	<ul style="list-style-type: none">• Battery might not have been fully charged as assumed.	<ul style="list-style-type: none">• Ensure battery is fully charged and charge indicator shows green.• It may be the battery is coming to its end of life.



**ERIN LED RECHARGEABLE
TABLE LAMP
(USB-C RECHARGEABLE)**

INSTRUCTIONS