

# NEXT

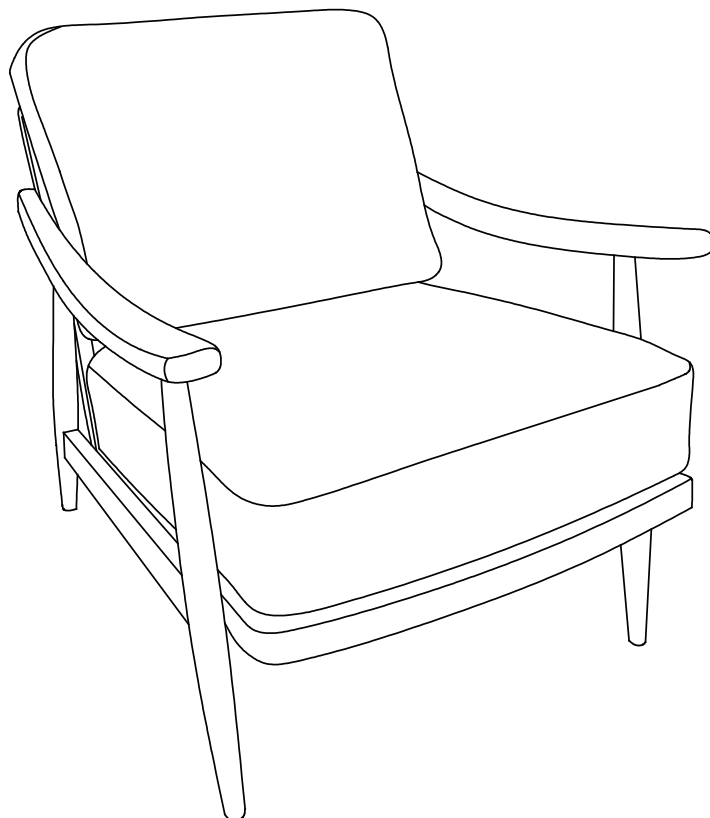
## HAMPTON CHAIR

Y40016-V81911-888946-V81912-N25704-653912-AY5865-  
Q76934-D91512 -F03014-H59780-H78625-G14114-V27387-  
V62741

Assembly instructions

Actual product size

H83×W72.5×D86cm



## Need Help ?

With: Assembly instruction  
Missing or damaged parts

CALL: 0333 777 8999

**IMPORTANT - RETAIN FOR FUTURE REFERENCE**

**BEFORE YOU START**

Assembly instructions

Number of people required to assemble

One people are required to assemble this item

**Time to assemble:** 30 minutes

| Item No. | Fabric name - leg                                 | Fabric composition |
|----------|---|--------------------|
| Y40016   | CHENILLE STRIPE MOSS GREEN-OAK EFFECT FRAME       | 100% polyester     |
| H78625   | TEXTURED BOUCLE WEAVE MID NATURAL -WALNUT FRAME   | 100% polyester     |
| 888946   | FINE CHENILLE GRANITE BLUE- LIGHT OAK FRAME       | 100% polyester     |
| V81911   | VINTAGE FAUX LEATHER LIGHT BROWN-WALNUT FRAME     | 100% polyester     |
| V81912   | SOFT VELEV T RUST -WALNUT FRAME LEG               | 100% polyester     |
| V27387   | MULTI CHECK CHENILLE OLIVE GREEN- LIGHT OAK FRAME | 100% polyester     |
| AY5865   | VINTAGED FAUX LEATHER CHOCOLATE-WALNUT FRAME      | 100% polyester     |
| Q76934   | RELAXED CHENILLE FOREST GREEN -WALNUT FRAME       | 100% polyester     |
| D91512   | FINE CHENILLE OCHRE-WALNUT FRAME                  | 100% polyester     |
| F03014   | WOVEN GEOMETRIC BLUE- LIGHT OAK FRAME             | 100% polyester     |
| V62741   | LINNET PUTTY HAMISH-WALNUT FRAME                  | 100% polyester     |

**Do's**

We suggest you spend a short time reading through this leaflet before you start. When you are ready to start, make sure that you have the right tools and plenty of space.

Unwrap all packaging materials and place the components on a clean surface to protect it from damage. We recommend that the packaging is used to protect the surfaces during assembly.

Carefully check that you have all the parts before beginning assembly. Ensure the product is fully assembled as illustrated and all fixings fully tightened before use. Check fixings regularly to ensure they remain tight.

Always wipe dry after cleaning.

To clean your item, please use a soft cloth slightly dampened with water and wipe clean. Then buff with a dry clean cloth.

**Warnings**

We suggest you retain these instructions for future reference.

Keep fittings out of children's reach and keep children well away from construction area. This product should only be used on firm level ground. Please periodically check all fittings and re-tighten as necessary.

Avoid exposing the furniture to excessive heat or direct sunlight as this can cause cracking of the wood and deterioration of the colour.

Unwrap all packaging materials and place the components on top of the carton box or on a clean floor to protect it from damage.

**Home Service Technicians**

If you have a fault with your product, please contact our customer service team on **0333 777 8999**. If you have had the product for 28 days or less you may be offered a replacement, refund or for a fully trained home service technician to visit your home to assess the fault and repair the product where possible. If you have had the product for more than 28 days we will send an independent home service technician to review and repair the product where possible and recommend further action.

**Dont's**

Never allow any kind of liquid to remain on your furniture. Absorption can cause wood to warp or finishes to de-laminate.

Do not stand or lean back on your chairs.

Do not use silicone based furniture polish. Silicone in furniture polishes can break down the lacquer finish.

**Missing parts**

If you are missing any fixtures and fittings for your product.. Please contact our customer service team on 0333 777 8999 and they will be happy to arrange for a replacement to be sent to you free of charge.

**You can write to us at**

Home Customer Services  
Next Retail Ltd  
Desford Road,  
Leicester,  
LE19 4AT

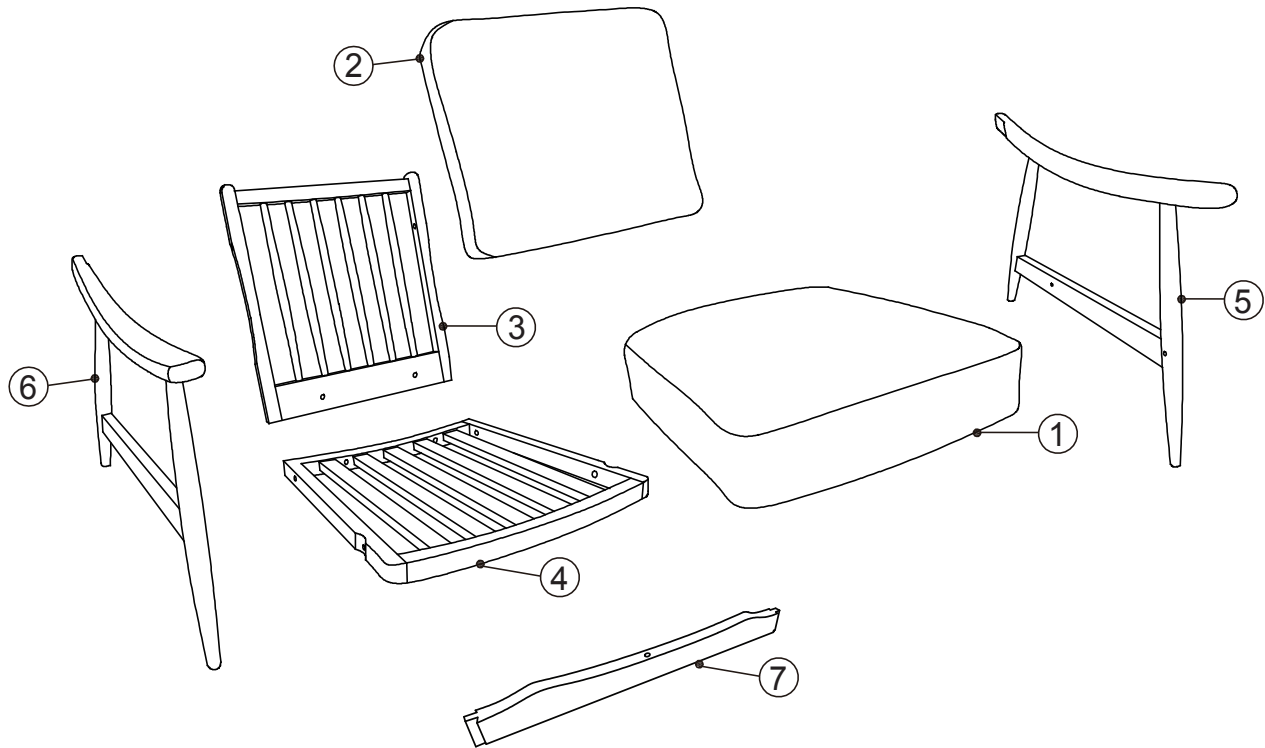
To view our full furniture range please visit [www.next.co.uk](http://www.next.co.uk)

**Need Help ?**



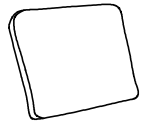




With: Assembly instruction  
Missing or damaged parts

CALL: 0333 777 8999

GETTING TO KNOW YOUR PRODUCT Assembly instructions



Components supplied. Please use this guide if you require replacement parts.

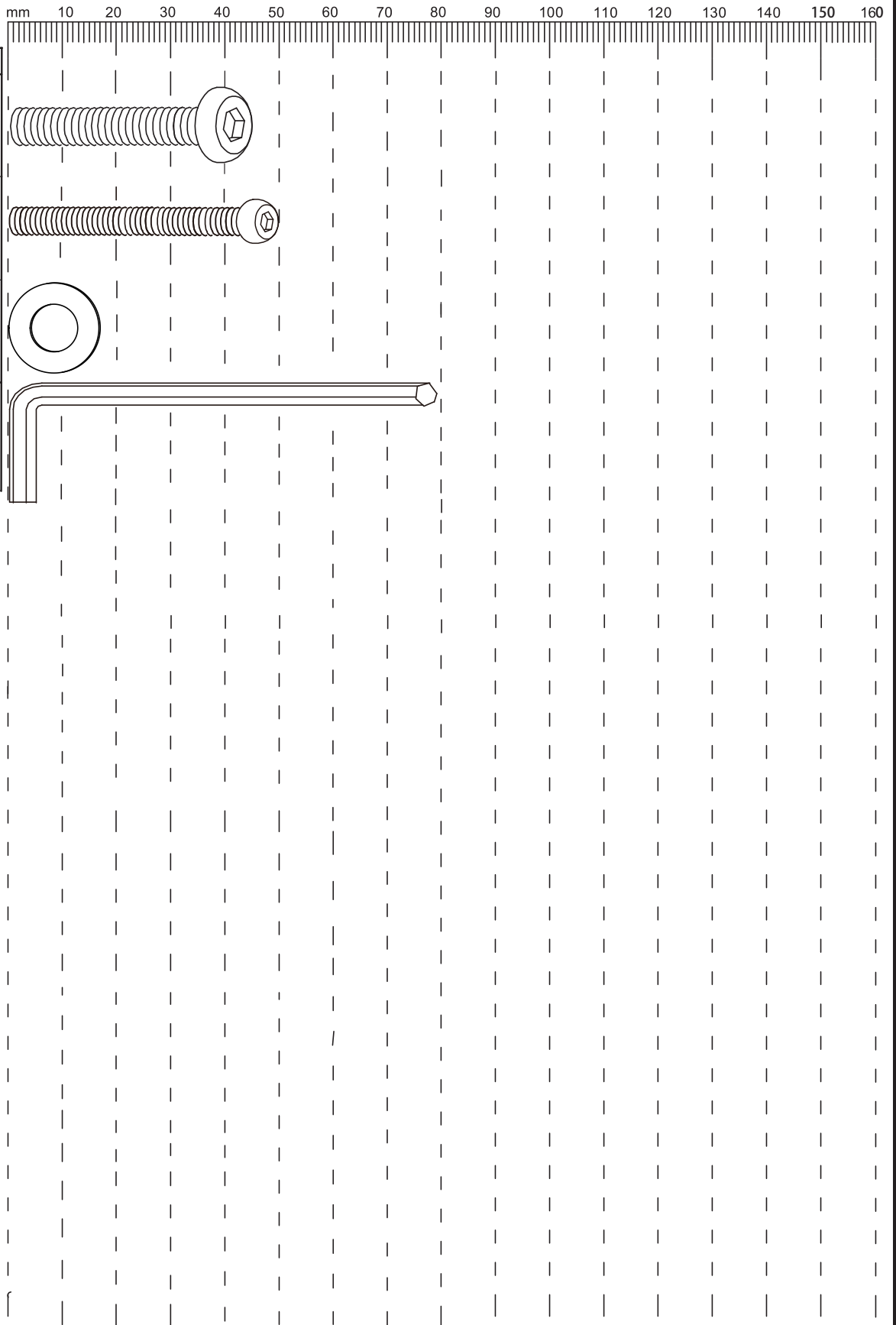
| Ref | Dimension                       | Visual  | Qty | Ref | Dimension                   | Visual  | Qty |
|-----|---------------------------------|---|-----|-----|-----------------------------|---|-----|
| 1   | Seat bag:<br>H18.5xW61xD66CM    |  | 1   | 5   | Left Arm:<br>H7xW75xD60CM   |  | 1   |
| 2   | Back bag:<br>H15xW60xD43CM      |  | 1   | 6   | Right Arm:<br>H7xW75xD60CM  |  | 1   |
| 3   | Back panel:<br>H5.5xW62xD61.5CM |  | 1   | 7   | Cross rail:<br>H7xW75xD60CM |  | 1   |
| 4   | Base panel:<br>H5.5xW58xD59CM   |  | 1   |     |                             |   |     |

F03014-Y40016-V81911-888946-V81912-N25704-653912-AY5865-Q76934-H78625-V62741-G14114-V27387-D91512-H59780

Assembly instructions

Fixtures and fittings supplied (actual size)

| Ref | Dimension | Qty | Spare |
|-----|-----------|-----|-------|
| A   | M8x40mm   | 9   | 1     |
| B   | M6x45mm   | 2   | 1     |
| C   | 17mm      | 6   | 1     |
| D   | 6 x 80mm  | 1   | 0     |






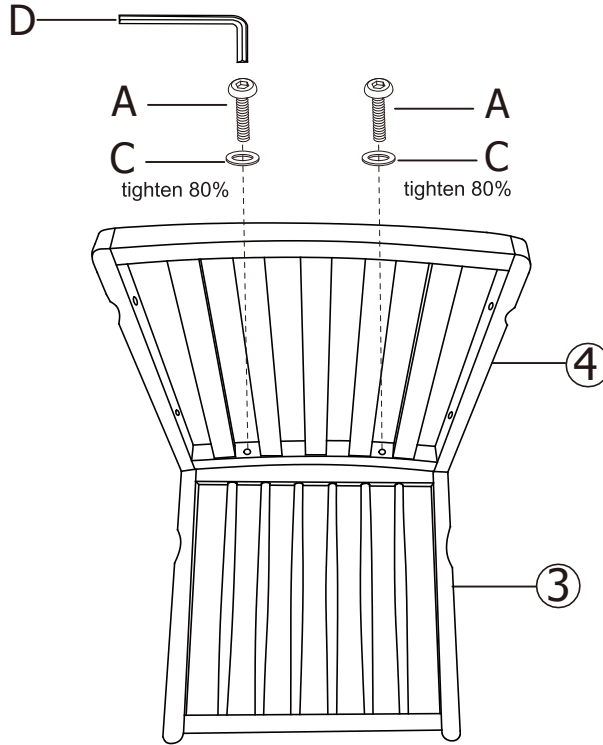
# HAMPTON CHAIR

F03014-Y40016-V81911-888946-V81912-N25704-653912-AY5865-Q76934-H78625-V62741-G14114-V27387-D91512-H59780




Assembly instructions

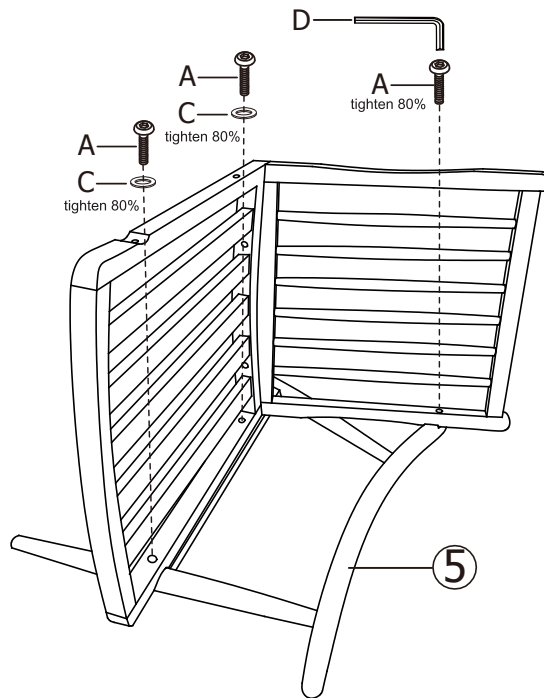
1.

|   |         |
|---|---------|
| <b>A x 2</b>  | M8x40mm |
|  |         |
| <b>C x 2</b>  | 17mm    |
|  |         |
| <b>D x 1</b>  | 6x80mm  |
|  |         |






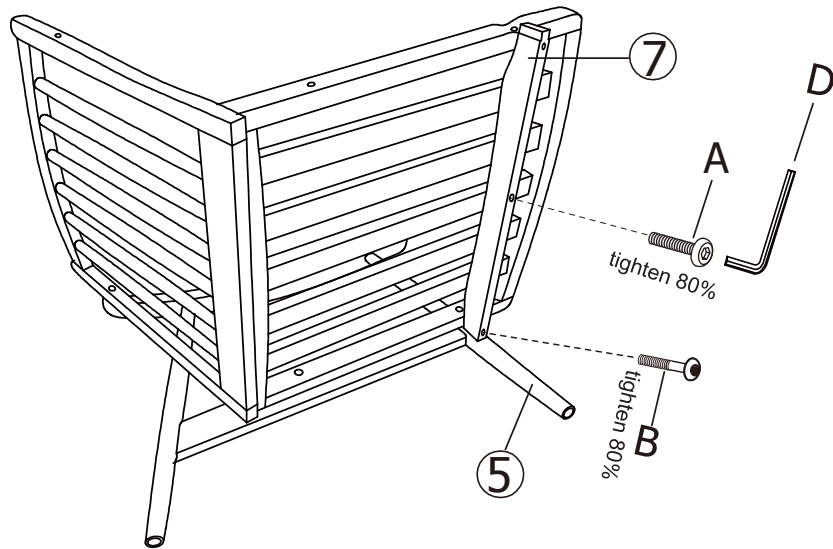
2.

|   |         |
|---|---------|
| <b>A x 3</b>  | M8x40mm |
|  |         |
| <b>C x 2</b>  | 17mm    |
|  |         |
| <b>D x 1</b>  | 6x80mm  |
|  |         |






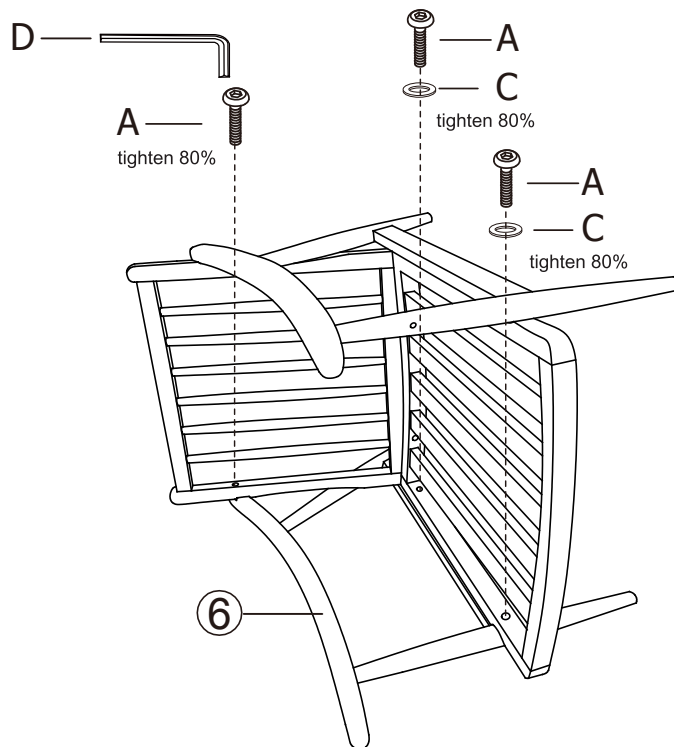
3.

|   |
|---|
| <b>A x 1</b> M8x40mm  |
|  |
| <b>B x 1</b> M6x45mm  |
|  |
| <b>D x 1</b> 6x80mm   |
|  |

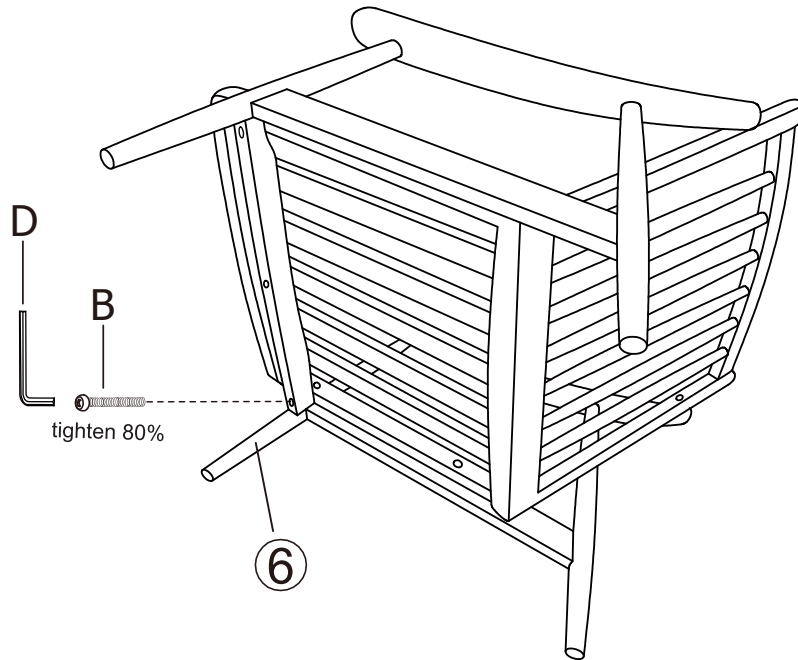
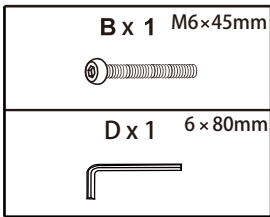


4.

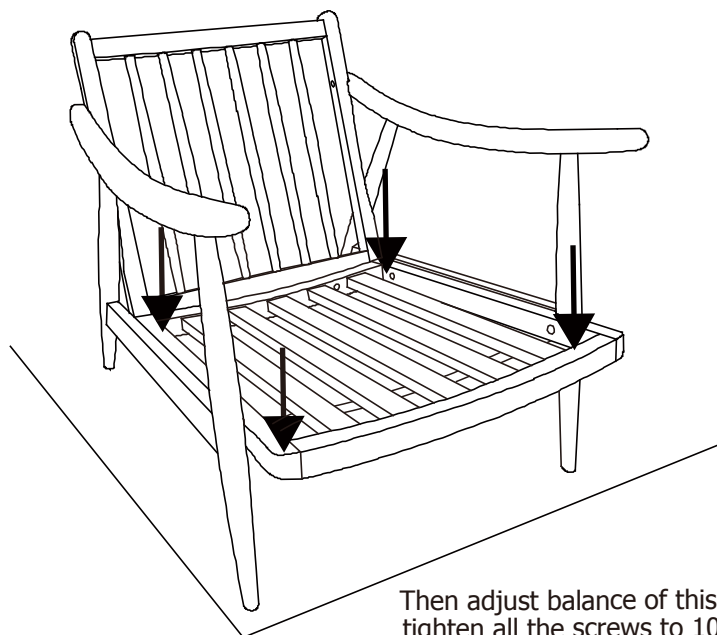
|   |
|---|
| <b>A x 3</b> M8x40mm  |
|  |
| <b>C x 2</b> 17mm   |
|  |
| <b>D x 1</b> 6x80mm   |
|  |



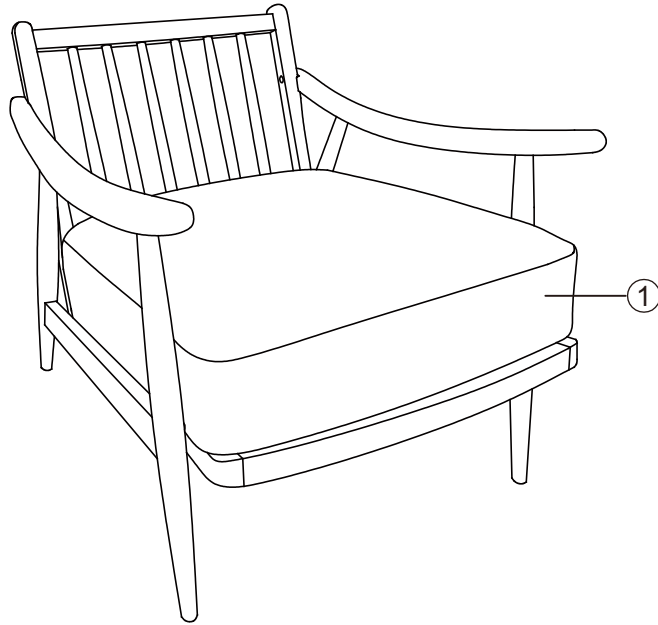
5.



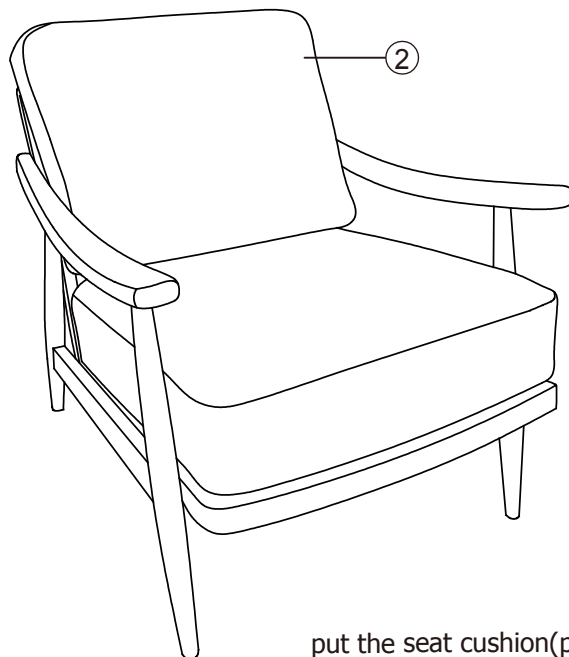
6.



7.



8.



put the seat cushion(part 1) and backrest cushion (part 2) onto the assembled chair frame.

# NEXT

## HAMPTON CHAIR

F03014-Y40016-V81911-888946-V81912-N25704-653912-AY5865-Q76934-H78625-V62741-G14114-V27387-D91512-H59780

Assembly instructions

Actual product size

H83×W72.5×D86cm

**CAUTION:** Maximum weight capacity of this chair is 130kg.

